



US00D932775S

(12) **United States Design Patent** (10) **Patent No.:** **US D932,775 S**  
**Imsand et al.** (45) **Date of Patent:** **\*\* Oct. 12, 2021**

(54) **TOOL STORAGE BAG DIVIDER**

FOREIGN PATENT DOCUMENTS

(71) Applicant: **APEX BRANDS, INC.**, Apex, NC  
(US)

CA D123242 S 1/2009  
CA D123243 S 1/2009  
CA D123244 S 1/2009

(72) Inventors: **Nicholas Ryan Imsand**, Huntersville, NC (US); **Rand Royd Ruland**, Fort Mill, SC (US); **Mendy Benton**, Pawtucket, RI (US)

OTHER PUBLICATIONS

“Crescent 14" Tradesman Open Top Tool Bag”, Date First Available Sep. 1, 2019, Amazon.com, Site visited Jan. 22, 2021: <https://www.amazon.com/Crescent-Tradesman-Open-Tool-CTB1410/dp/B07W6PYFNB?th=1> (Year: 2019).\*

(73) Assignee: **APEX BRANDS, INC.**, Apex, NC  
(US)

(Continued)

(\*\*) Term: **15 Years**

*Primary Examiner* — Jennifer L Watkins

(21) Appl. No.: **29/711,908**

*Assistant Examiner* — Samantha Lynne Brodowski

(22) Filed: **Nov. 4, 2019**

(74) *Attorney, Agent, or Firm* — Burr & Forman, LLP

(51) **LOC (13) Cl.** ..... **03-01**

(52) **U.S. Cl.**  
USPC ..... **D3/319**

(57) **CLAIM**

(58) **Field of Classification Search**  
USPC ..... D3/232, 283, 303, 308, 310, 315,  
D3/318–320, 905; D9/456, 737  
CPC .... A45C 13/02; A45C 2013/026; B25H 3/02;  
B25H 3/00; A45F 2200/0575  
See application file for complete search history.

The ornamental design for the tool storage bag divider, as shown and described.

**DESCRIPTION**

(56) **References Cited**

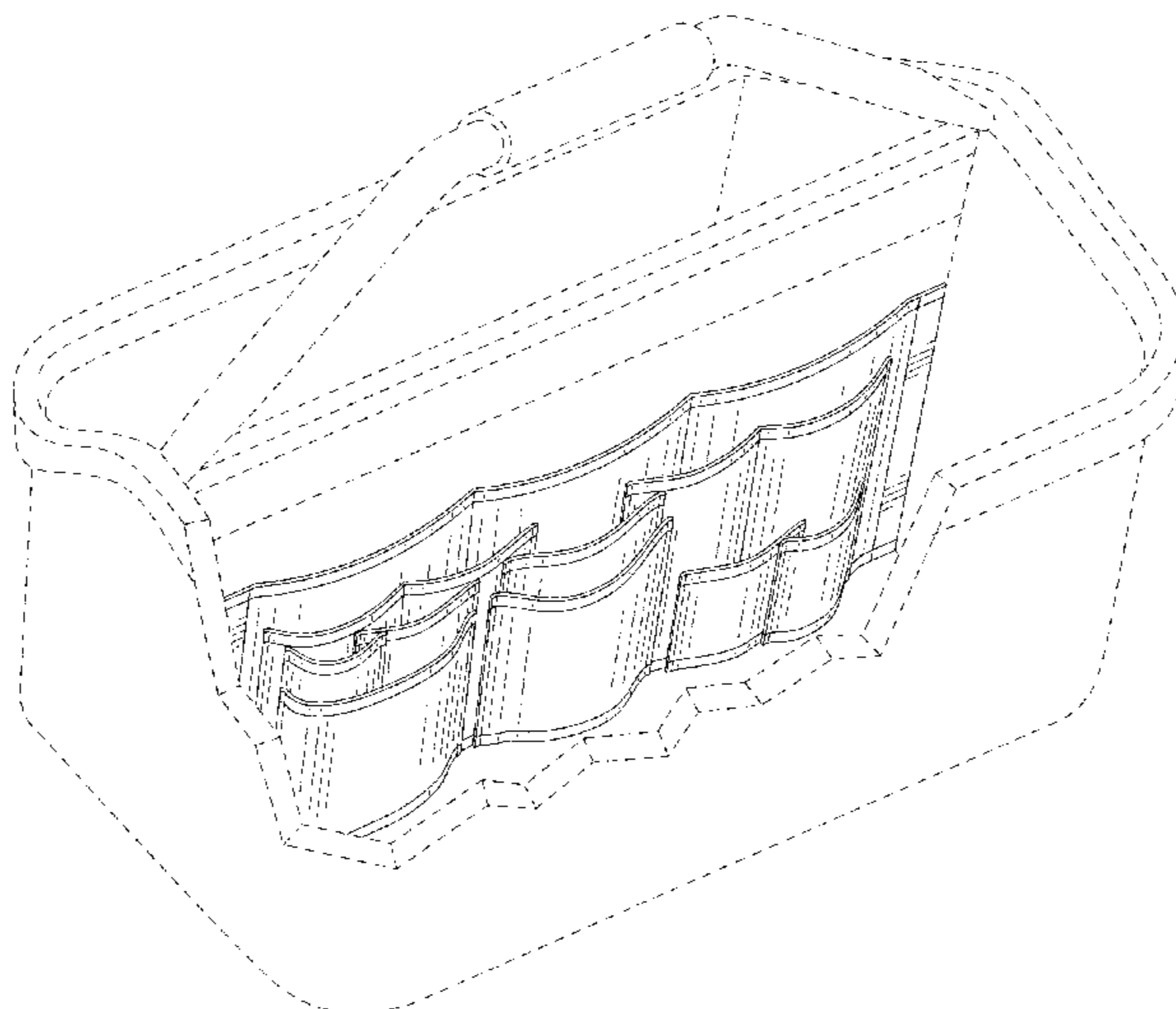
U.S. PATENT DOCUMENTS

D306,520 S \* 3/1990 McCarthy ..... D12/133  
6,126,003 A 10/2000 Brouard  
D490,245 S 5/2004 Brouard  
6,915,902 B2 7/2005 Brouard  
D524,544 S \* 7/2006 Crook ..... D3/319  
D549,959 S \* 9/2007 Wood ..... D3/228  
D613,507 S 4/2010 Brouard  
D656,317 S \* 3/2012 Baas ..... D3/303  
D703,438 S \* 4/2014 Lee ..... D3/285  
D768,989 S \* 10/2016 Johnson ..... D3/319  
D805,780 S \* 12/2017 Hughes ..... D3/319  
D843,113 S \* 3/2019 Carter ..... D3/315  
D900,478 S \* 11/2020 Huang ..... D3/319

FIG. 1 is a perspective view of a tool storage bag divider; FIG. 2 is a rear perspective view of the tool storage bag divider of FIG. 1; FIG. 3 is a cross section view through a first portion of a tool storage bag to show a front view of the tool storage bag divider of FIG. 1; FIG. 4 is a cross section view through a second portion of a tool storage bag to show a rear view of the tool storage bag divider of FIG. 2; and, FIG. 5 is a top view of the tool storage bag divider showing the divider of FIG. 1 and FIG. 2 from above. The broken lines of the tool storage bag in FIGS. 1-5 are illustrative of portions of the tool storage bag divider that form no part of the claimed design.

(Continued)

**1 Claim, 5 Drawing Sheets**



(56)

**References Cited**

U.S. PATENT DOCUMENTS

2008/0135142 A1\* 6/2008 Ellis ..... A45C 13/02  
150/104  
2008/0202962 A1\* 8/2008 Brouard ..... B25H 3/00  
206/373  
2010/0133304 A1\* 6/2010 Williams ..... B25H 3/02  
224/191  
2013/0186794 A1\* 7/2013 Kinskey ..... B25H 3/021  
206/372  
2014/0190852 A1\* 7/2014 Kinskey ..... B25H 3/022  
206/374  
2015/0314920 A1\* 11/2015 Fee ..... B65D 33/002  
383/38  
2016/0100661 A1\* 4/2016 Redzisz ..... A45C 13/02  
280/47.17

OTHER PUBLICATIONS

“Crescent® Tools—Tradesman Tool Bags”, Date first available Sep. 12, 2019, Youtube.com, Site visited Jan. 22, 2021: [https://www.youtube.com/watch?v=PUGuD1r1xQc&feature=emb\\_logo](https://www.youtube.com/watch?v=PUGuD1r1xQc&feature=emb_logo) (Year: 2019).\*

\* cited by examiner

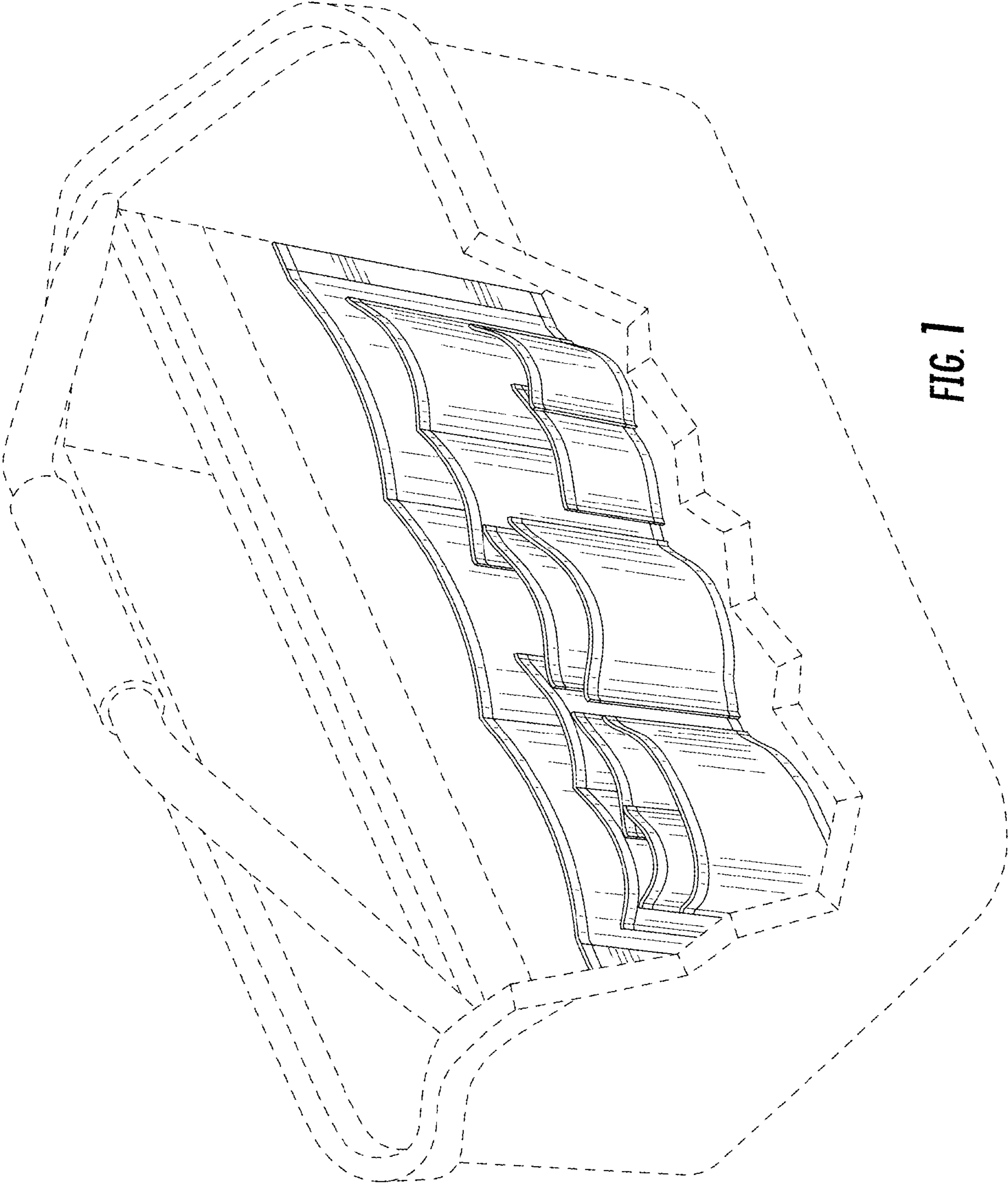


FIG. 1

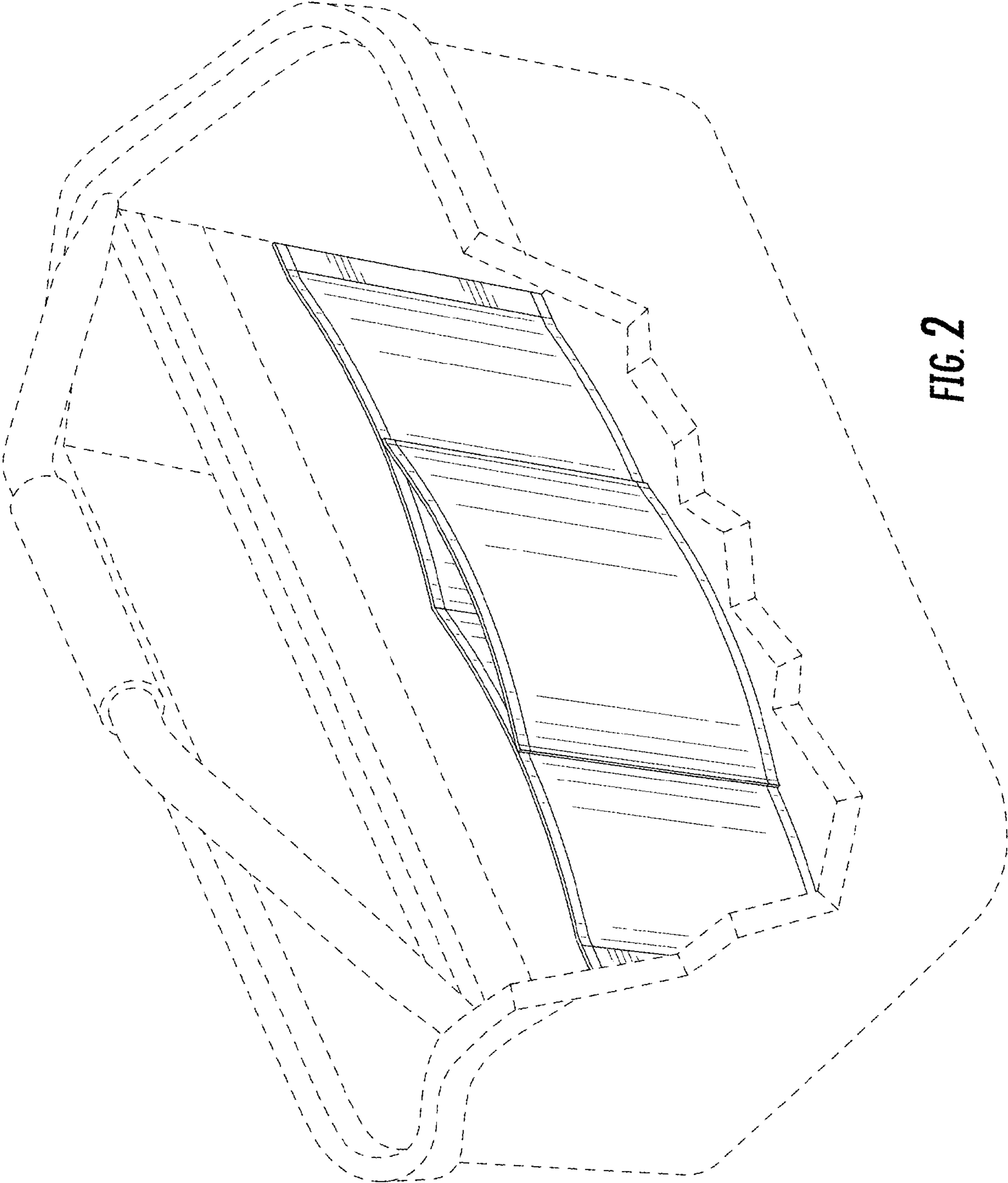


FIG. 2

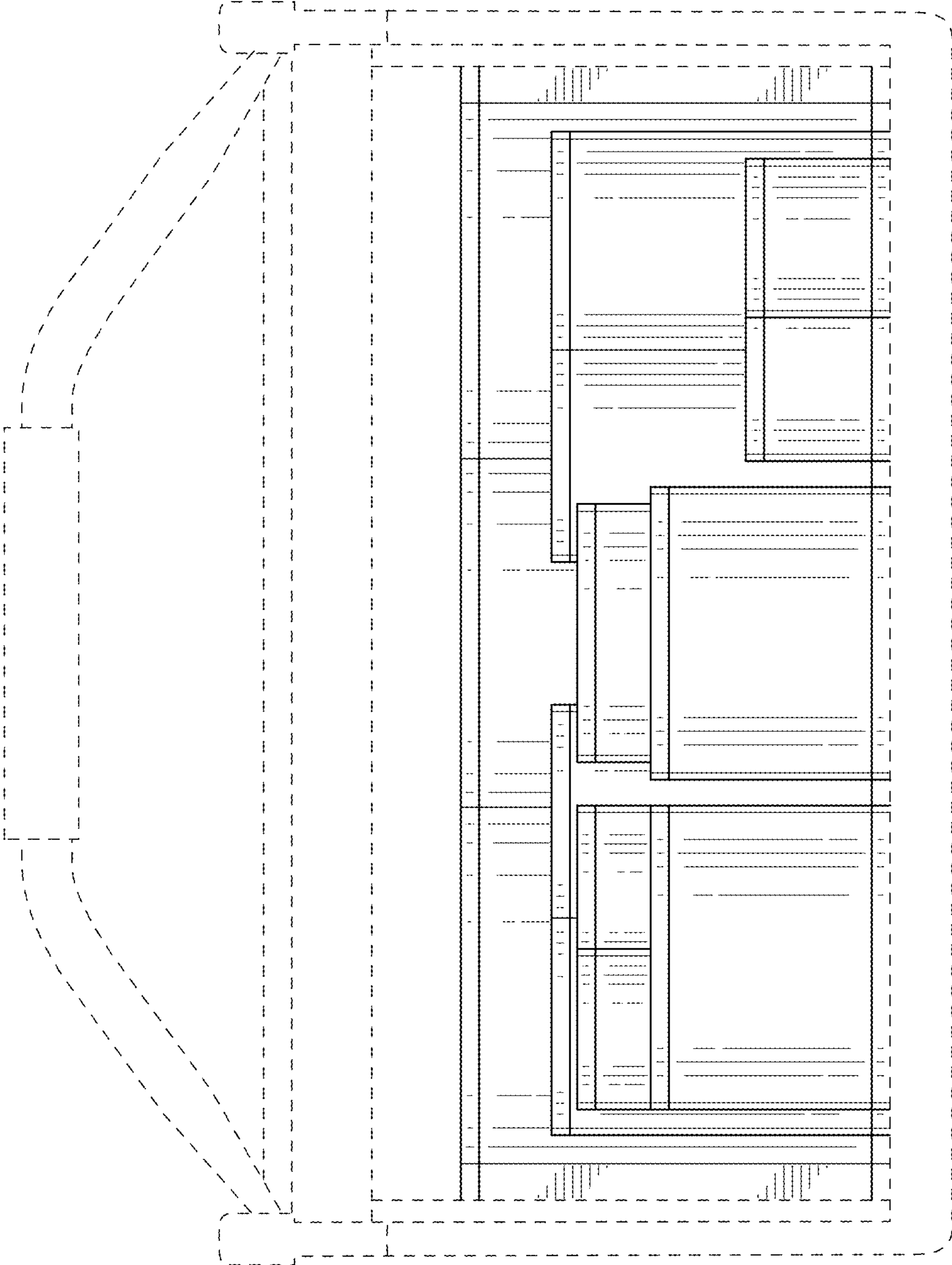


FIG. 3

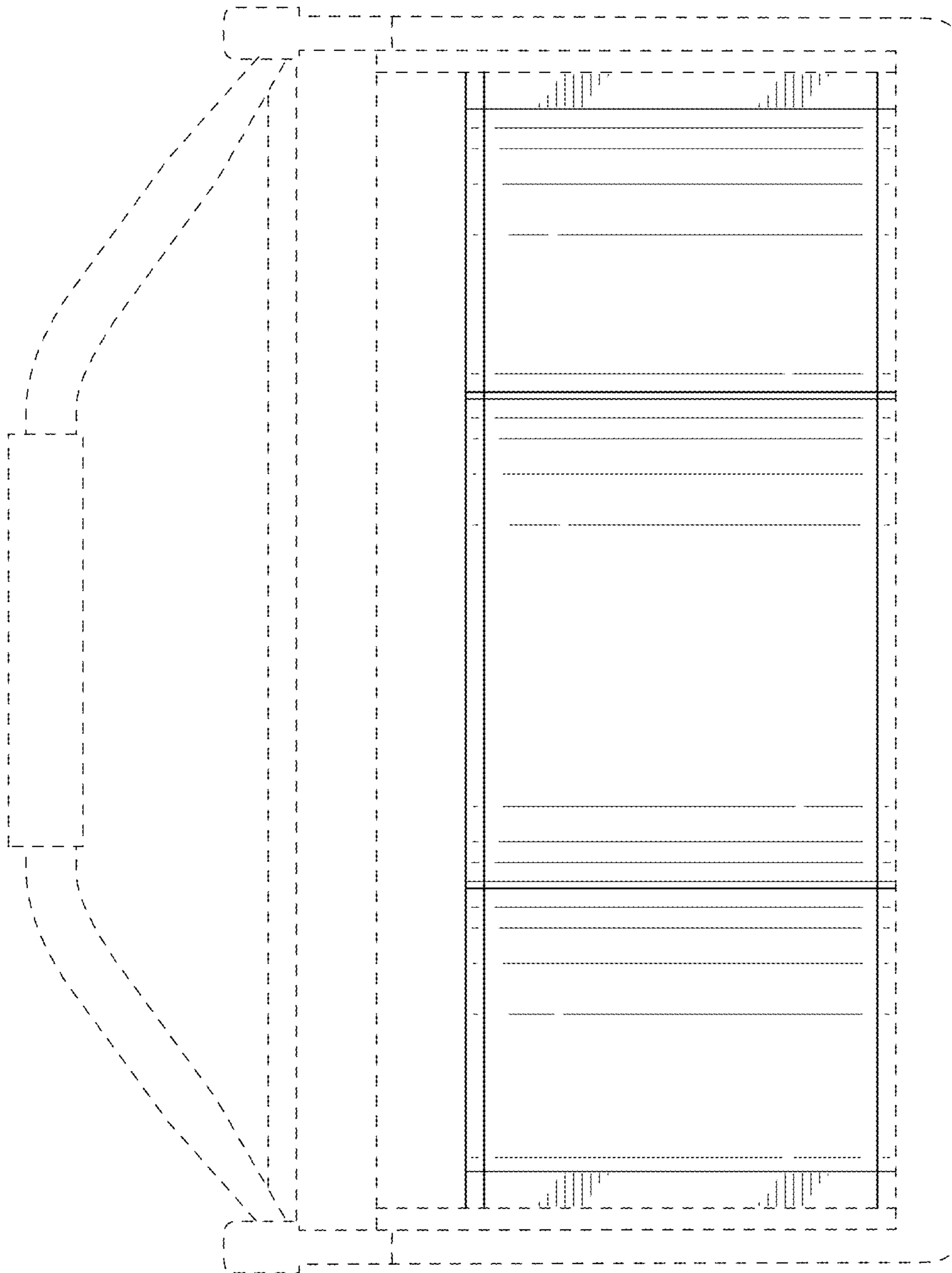


FIG. 4

