



US00D932774S

(12) **United States Design Patent**
Horner

(10) **Patent No.:** **US D932,774 S**

(45) **Date of Patent:** **** Oct. 12, 2021**

(54) **TRAVEL BAG DIVIDER**

(71) Applicant: **Diana Horner**, Charlotte, NC (US)

(72) Inventor: **Diana Horner**, Charlotte, NC (US)

(**) Term: **15 Years**

(21) Appl. No.: **29/708,750**

(22) Filed: **Oct. 9, 2019**

(51) **LOC (13) Cl.** **03-01**

(52) **U.S. Cl.**
USPC **D3/319**

(58) **Field of Classification Search**
USPC D3/232, 303, 310, 313, 318-320, 901;
D6/706; D7/553.1; D9/456, 737
CPC ... A45C 13/02; A45C 2013/026; A45C 11/38;
A47B 88/994; A47B 88/969; B65D 25/06
See application file for complete search history.

(56) **References Cited**

U.S. PATENT DOCUMENTS

2,985,333	A *	5/1961	Kirkman	A47B 88/90 220/533
D214,332	S *	6/1969	Swett	D7/387
D310,297	S *	9/1990	Howitt	D3/219
D473,080	S *	4/2003	Kellogg	D6/706
D512,836	S *	12/2005	Marnell, II	D3/313
D702,944	S *	4/2014	Sanchez	D3/319
D712,153	S *	9/2014	Lee	D3/319
D802,928	S *	11/2017	Serimian	D3/313
D843,149	S *	3/2019	Nilsson	D6/706
D846,880	S *	4/2019	Shuai	D3/319
D847,511	S *	5/2019	Shuai	D3/319
D851,935	S *	6/2019	Best	D3/313
D885,813	S *	6/2020	Snell	D6/706
2004/0145287	A1 *	7/2004	Ernst	A47B 88/994 312/348.3

2008/0295976	A1 *	12/2008	Watanabe	A47B 88/90 160/131
2014/0124406	A1 *	5/2014	Ishikawa	B65D 21/0213 206/557
2014/0238995	A1 *	8/2014	Vargas	B65D 25/06 220/523
2018/0251256	A1 *	9/2018	Baryshyan	B65D 5/48034
2020/0189789	A1 *	6/2020	Xu	B65D 25/06

* cited by examiner

Primary Examiner — Jennifer L Watkins

Assistant Examiner — Samantha Lynne Brodowski

(74) *Attorney, Agent, or Firm* — Walter A. Rodgers

(57) **CLAIM**

The ornamental design for a travel bag divider, as shown and described.

DESCRIPTION

FIG. 1 is a perspective view of a travel bag divider showing my new design;

FIG. 2 is a top plan view thereof;

FIG. 3 is a right-side elevation view thereof;

FIG. 4 is a bottom plan view thereof;

FIG. 5 is a left-side elevation view thereof;

FIG. 6 is a front elevation view thereof;

FIG. 7 is a rear elevation view thereof;

FIG. 8 is a perspective view of a second embodiment of FIG. 1, the only difference being the smaller dimension, it being understood that all other surfaces are the same as those of the first embodiment; and,

FIG. 9 is a bottom perspective view of FIG. 8.

The broken lines depict environment and form no part of the claimed design.

1 Claim, 5 Drawing Sheets

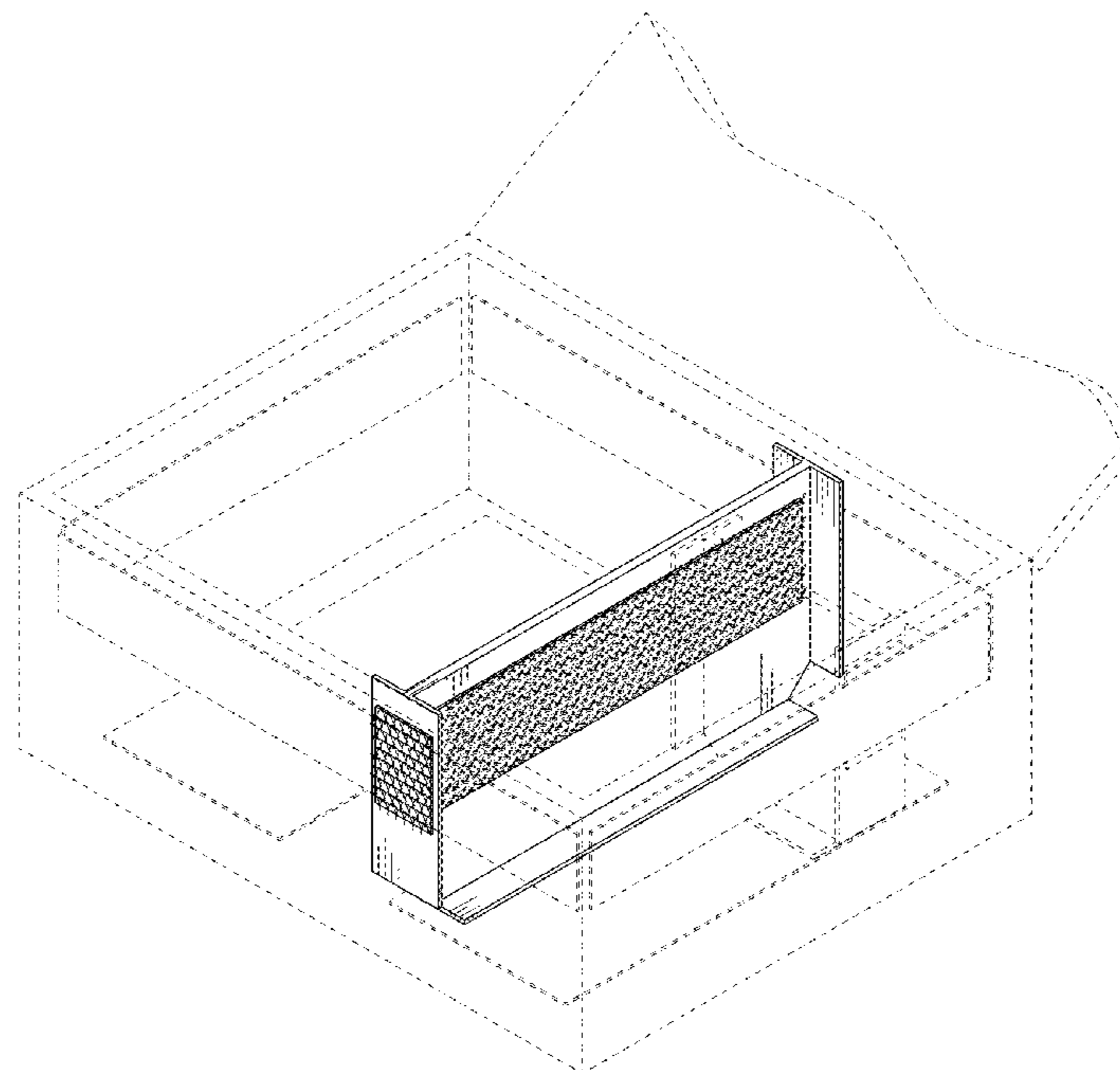
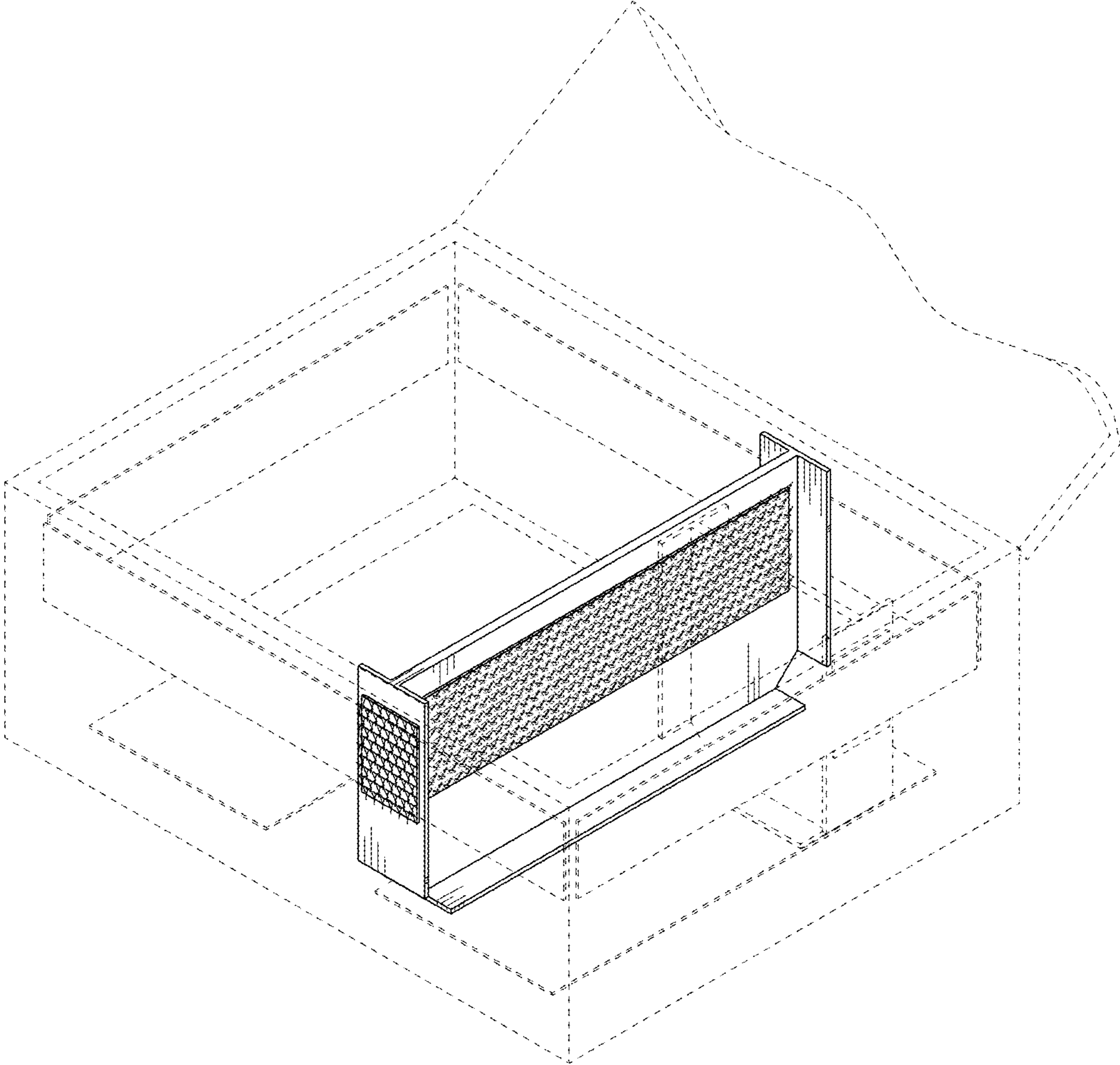


Fig 1



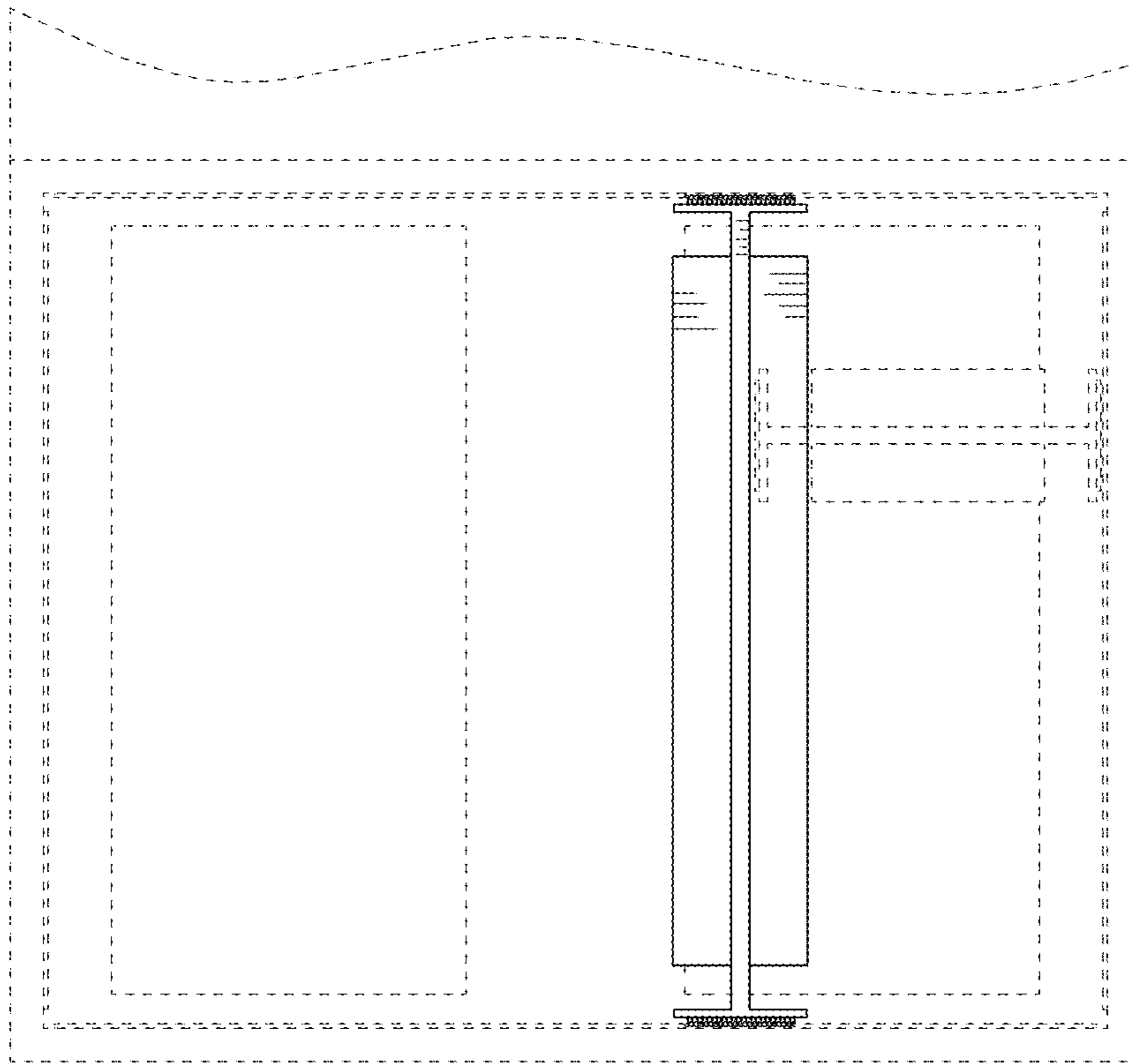


Fig 2

Fig 3

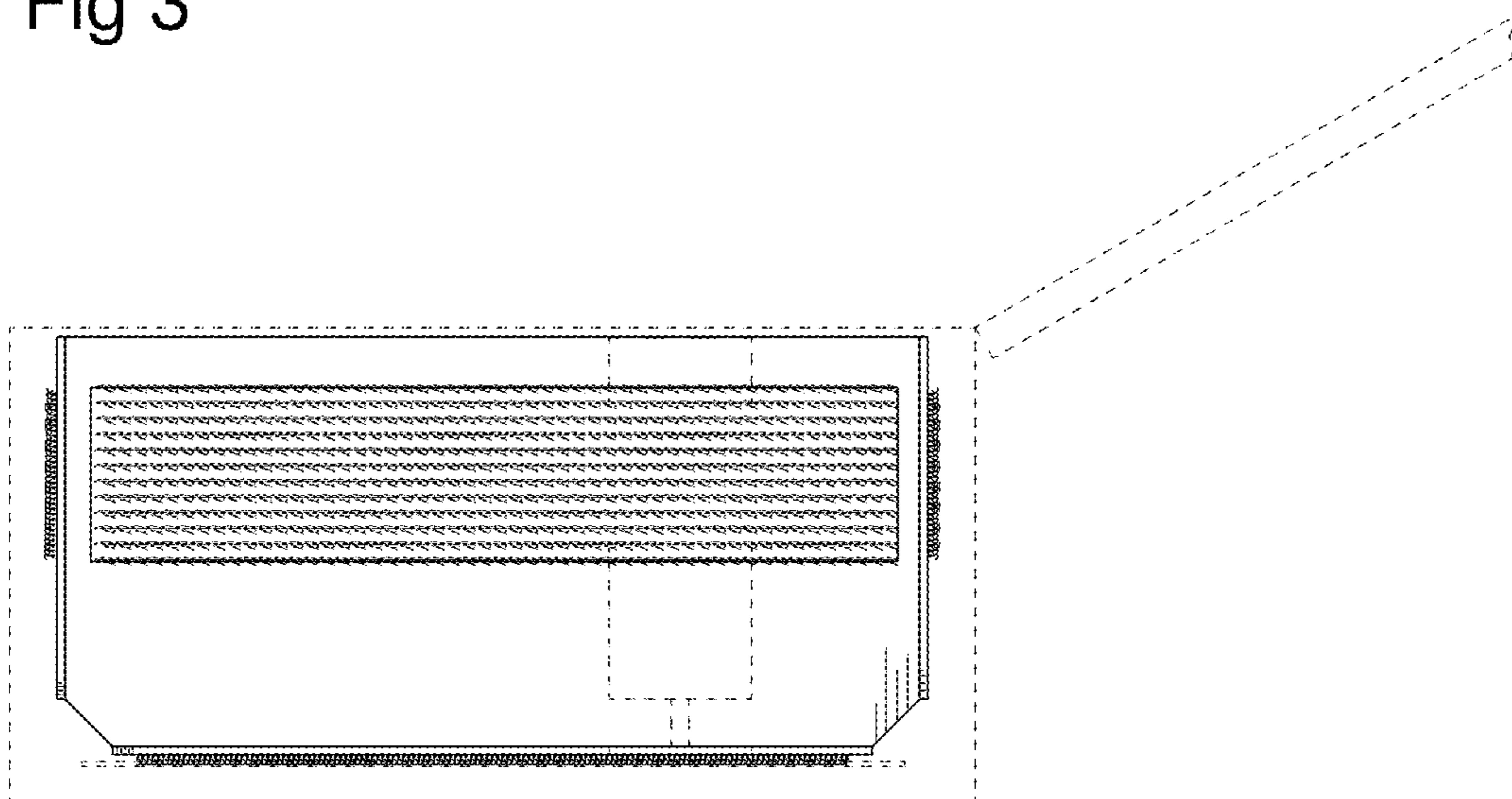


Fig 4

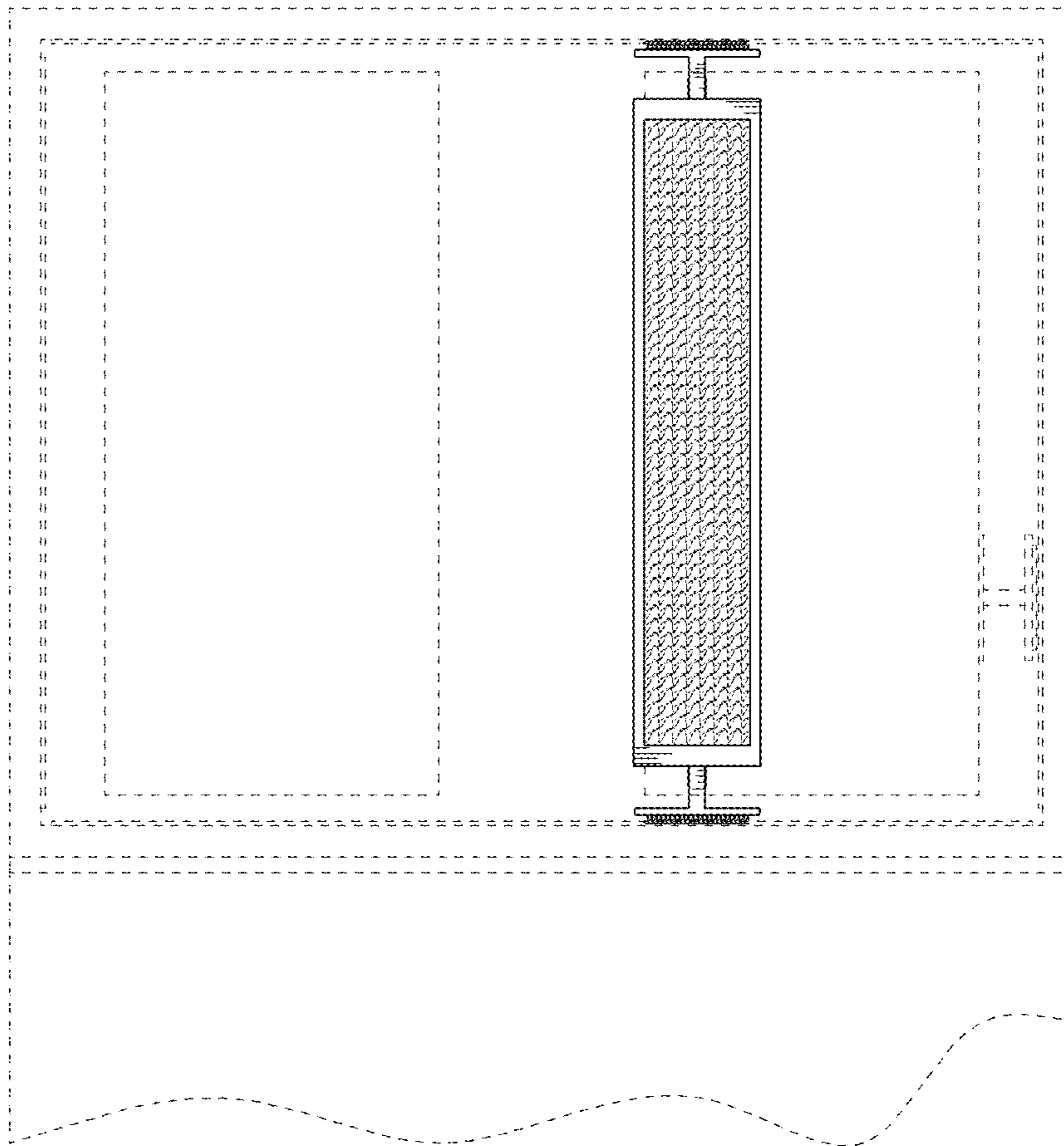


Fig 5

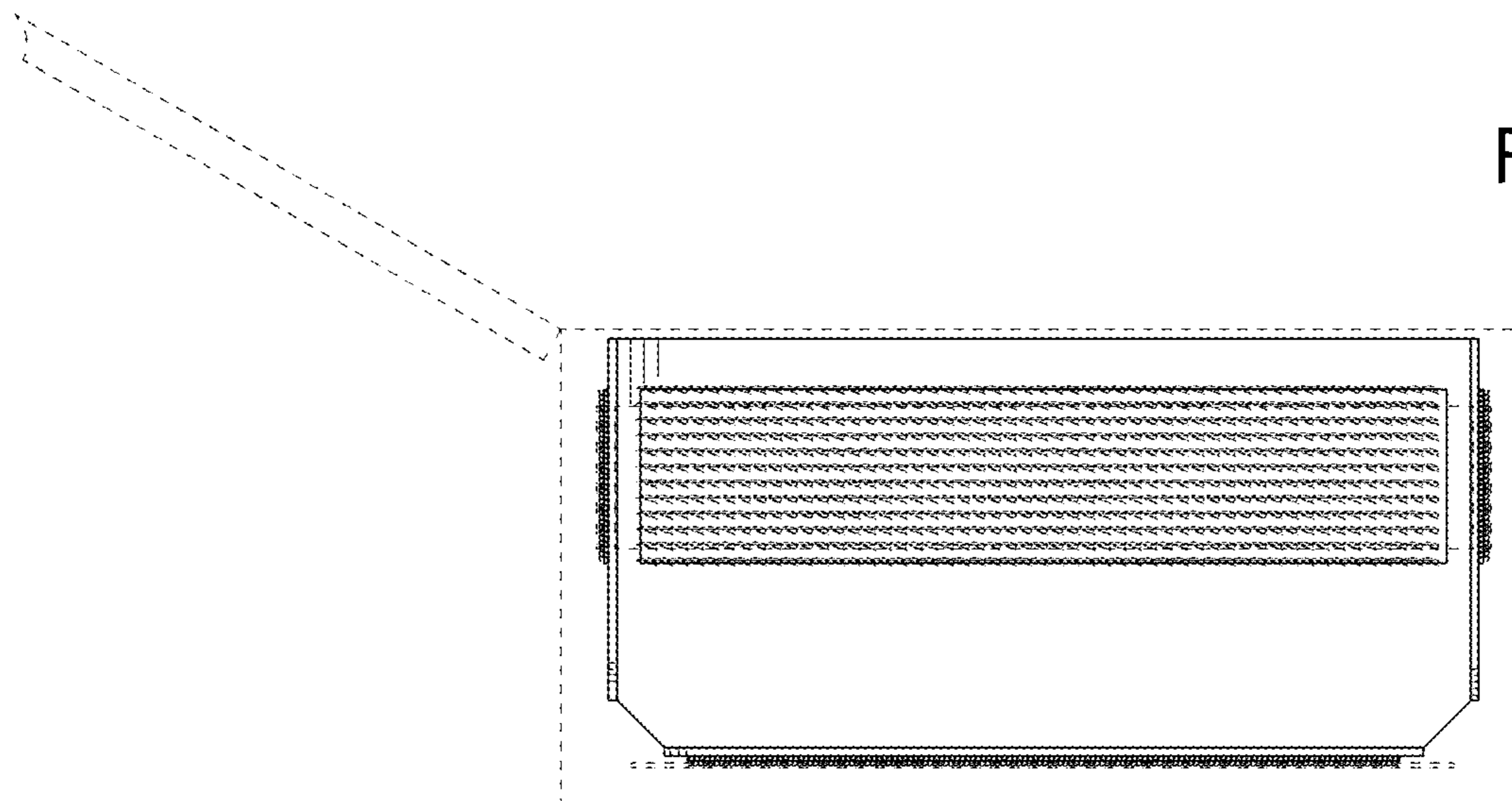


Fig 6

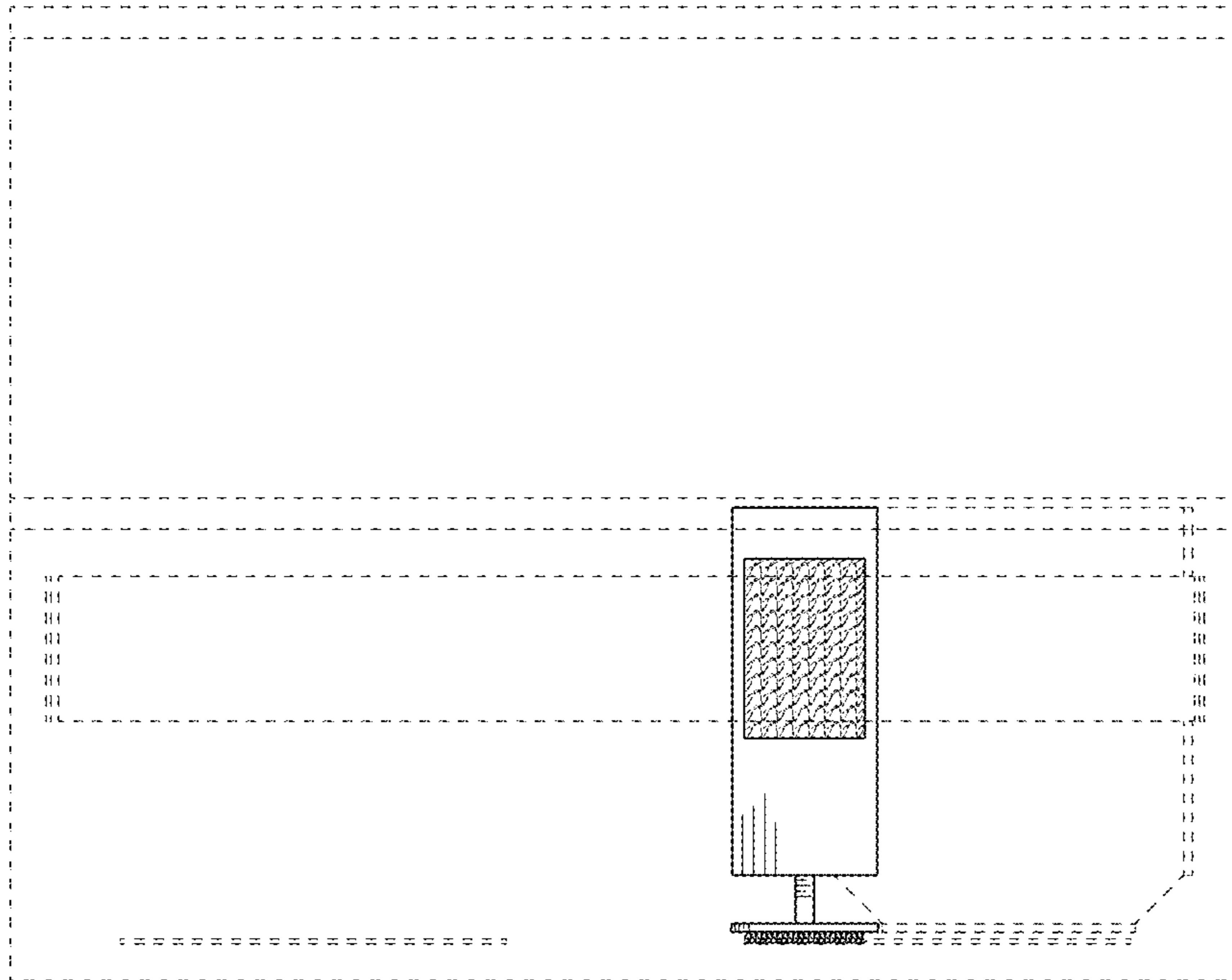


Fig 7

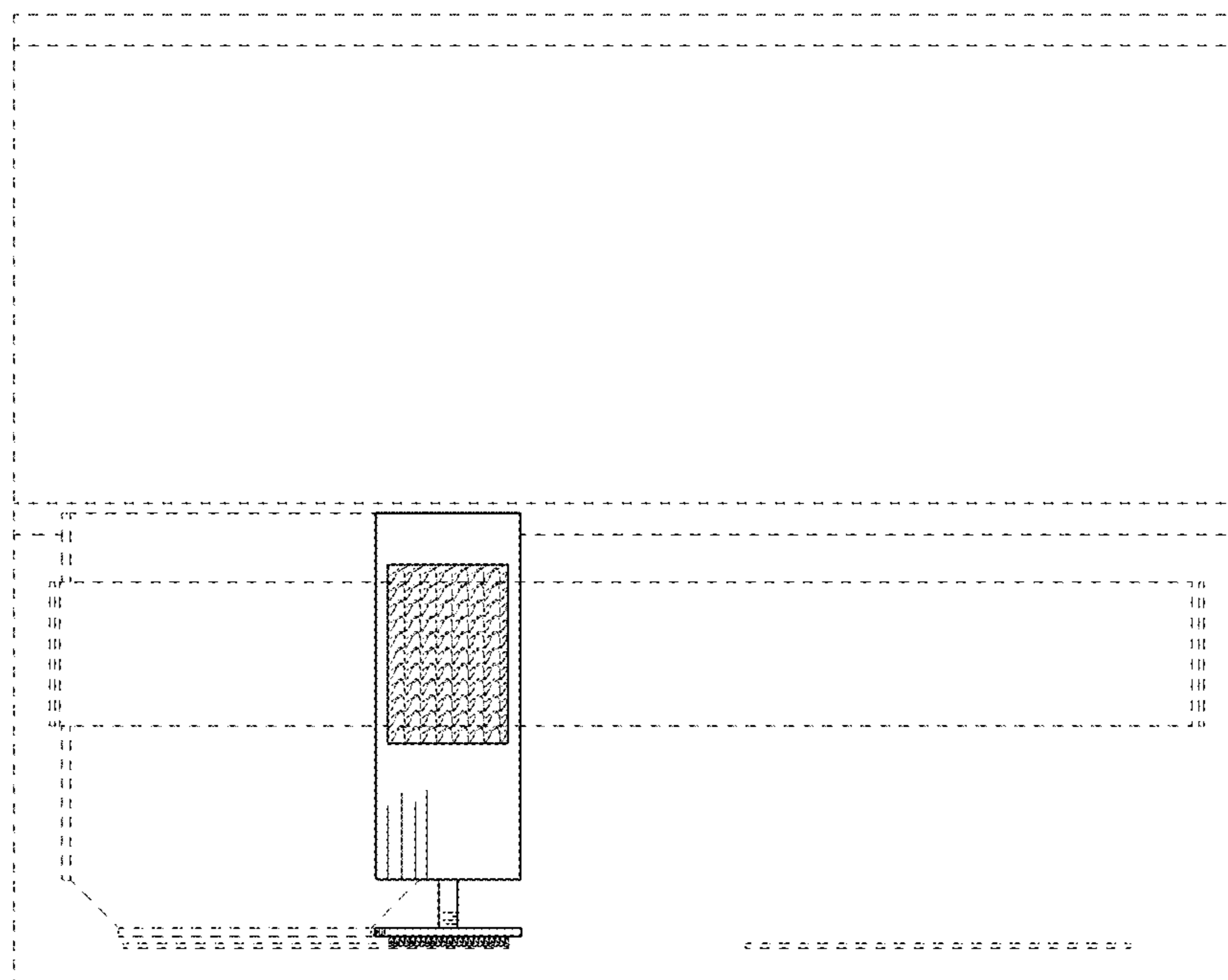


Fig 8

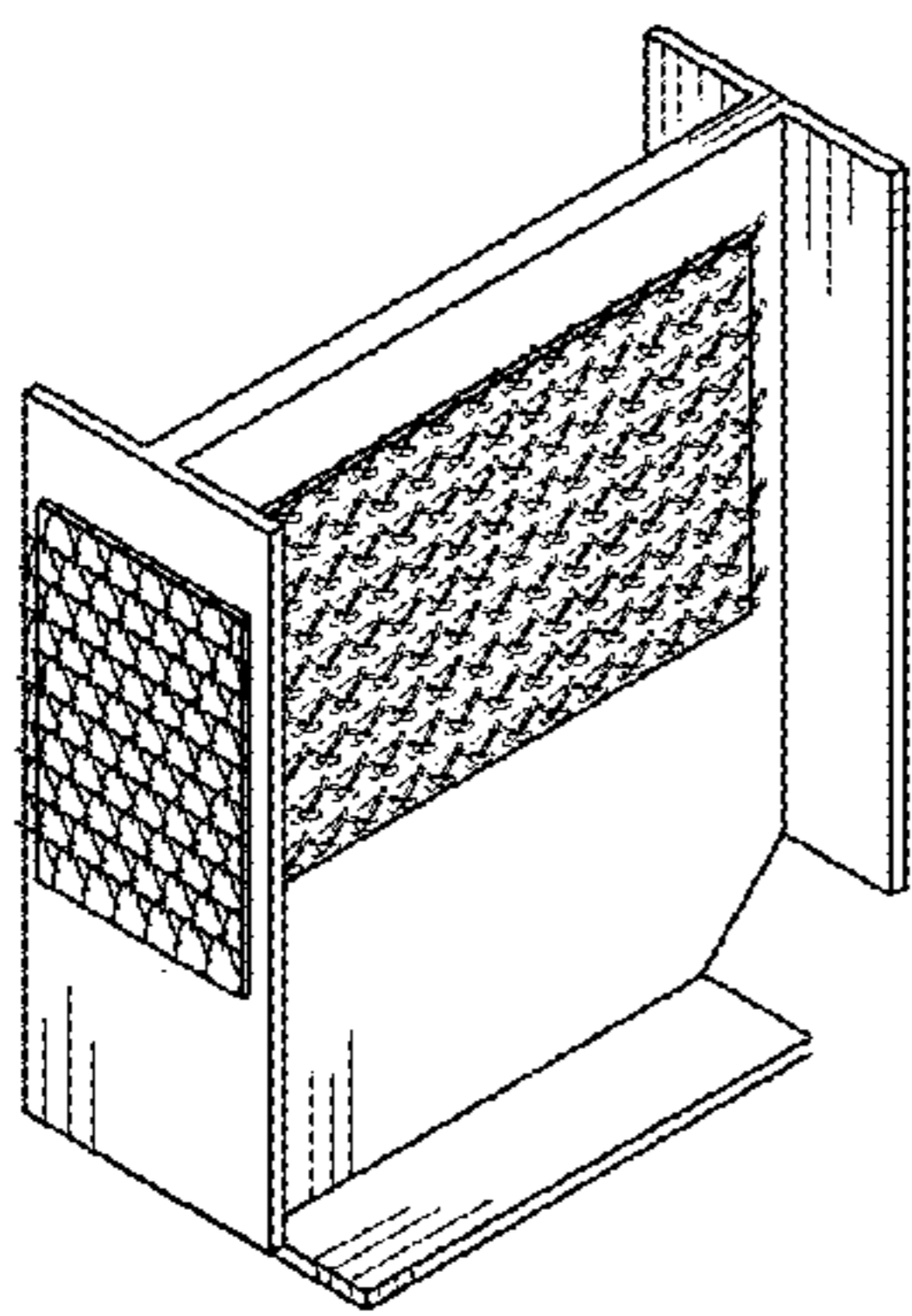


Fig 9

