



US00D932773S

(12) **United States Design Patent** (10) **Patent No.:** **US D932,773 S**
Li (45) **Date of Patent:** **** Oct. 12, 2021**

(54) **INSERTS FOR SUITCASE**
(71) Applicant: **The Wine Enthusiast, Inc.**, Valhalla, NY (US)
(72) Inventor: **Zheng Li**, Jiaxing (CN)
(73) Assignee: **THE WINE ENTHUSIAST, INC.**, Valhalla, NY (US)
(**) Term: **15 Years**
(21) Appl. No.: **29/681,697**
(22) Filed: **Feb. 27, 2019**

D784,017 S * 4/2017 Hsieh D3/279
D793,086 S * 8/2017 Mahanavanont D3/279
D796,204 S * 9/2017 Wax D3/318
D802,924 S * 11/2017 Mahanavanont D3/279
D816,992 S * 5/2018 Sapp D3/279
10,016,034 B2 * 7/2018 Lee A45C 13/03
D857,393 S * 8/2019 Wax D3/318
D899,084 S * 10/2020 Rubio D3/279
D916,463 S * 4/2021 Tsai D3/318
D916,464 S * 4/2021 Tsai D3/318
2009/0050429 A1 * 2/2009 Adams, Jr. A45C 13/02
190/109
2011/0266107 A1 * 11/2011 Hansen A45C 5/14
190/18 A
2015/0047941 A1 2/2015 Wax
2015/0150348 A1 6/2015 Wax
(Continued)

(30) **Foreign Application Priority Data**

Oct. 12, 2018 (CN) 201821653474.6
(51) **LOC (13) Cl.** **03-01**
(52) **U.S. Cl.**
USPC **D3/318; D3/319**
(58) **Field of Classification Search**
USPC D3/279, 289, 321, 902, 319, 318
CPC A45C 5/00; A45C 5/03; A45C 2005/032;
A45C 2005/037; A45C 5/14; A45C
2013/026
See application file for complete search history.

(56) **References Cited**

U.S. PATENT DOCUMENTS

D263,176 S * 3/1982 Harrington D3/285
D369,469 S * 5/1996 Gregory D3/313
D425,301 S * 5/2000 Sagol D3/276
D428,698 S * 8/2000 Cheng D3/276
D554,866 S * 11/2007 Hasty D3/319
D676,237 S * 2/2013 Hansen D3/289
D723,279 S * 3/2015 Wax D3/318
D746,061 S * 12/2015 Wax D3/318
D746,595 S * 1/2016 Wax D3/318
D752,346 S 3/2016 Wax

OTHER PUBLICATIONS

“How to Safely Pack Wine Bags in Your Luggage for Travel—What to Pack”; <https://www.whattopack.com/packing-tips/best-wine-bags-travel/>; Jun. 28, 2019 (19 Pages Total).
(Continued)

Primary Examiner — April Rivas
(74) *Attorney, Agent, or Firm* — Cowan, Liebowitz & Latman, P.C.; Anastasia Zhadina

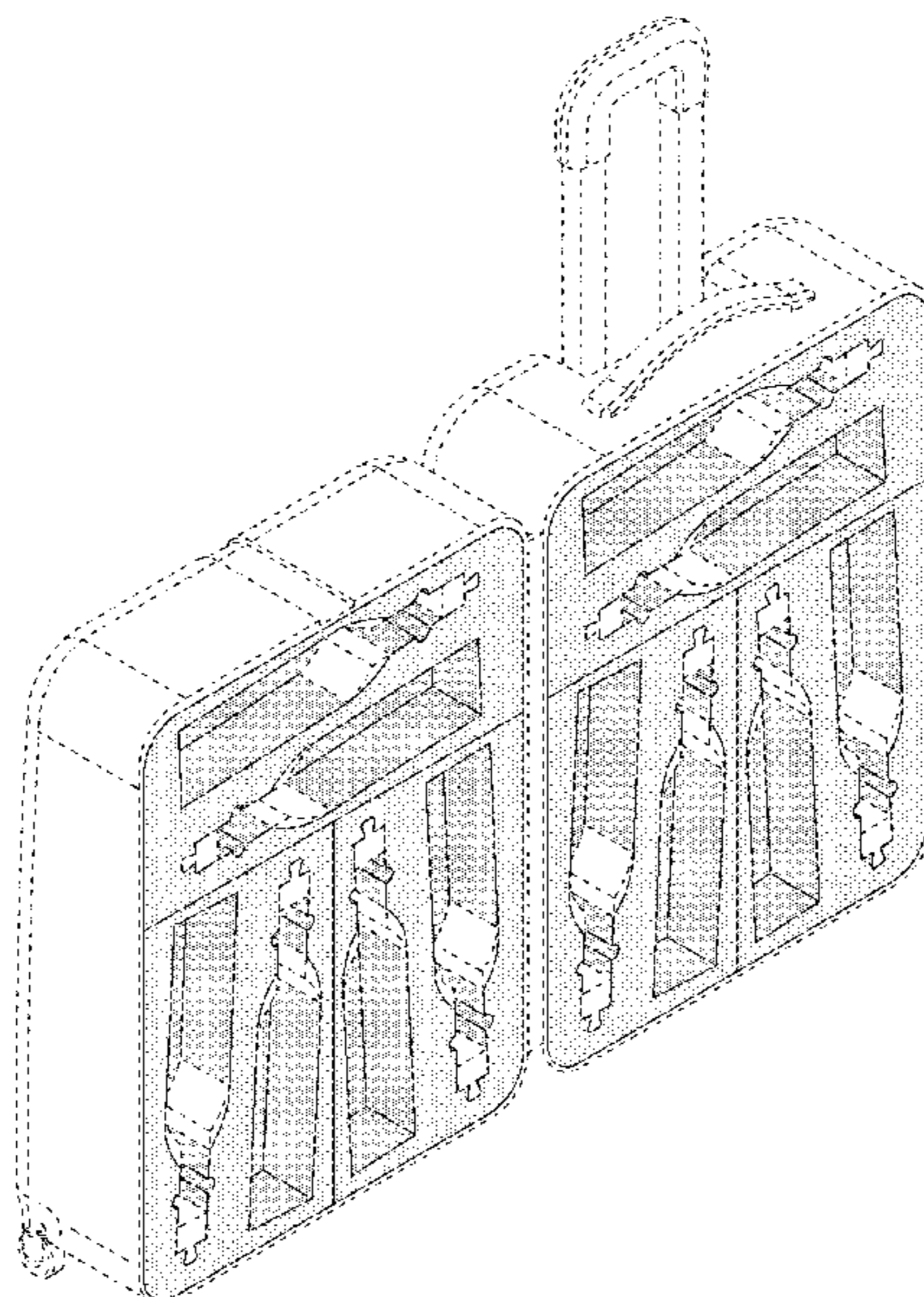
(57) **CLAIM**

The ornamental design for a inserts for suitcase, as shown and described.

DESCRIPTION

FIG. 1 is a perspective view of the inserts for suitcase showing my design; and, FIG. 2 is a front view thereof. The broken lines illustrate portions of the inserts and the environmental suitcase. None of the broken lines form part of the claimed design.

1 Claim, 2 Drawing Sheets



(56)

References Cited

U.S. PATENT DOCUMENTS

2018/0153281 A1* 6/2018 Contag A45D 29/20
2020/0390210 A1* 12/2020 Tsai A45C 5/03

OTHER PUBLICATIONS

“Whisky+Sunshine”; <https://www.whiskysunshine.com/fathers-day-gifts/>; Jun. 8, 2018 (33 Pages Total).

“The Points Guy”; <https://thepointsguy.com/2018/01/luggage-review-vingardevalise-wine-suitcase/>; Jan. 28, 2018 (11 Pages Total).

* cited by examiner

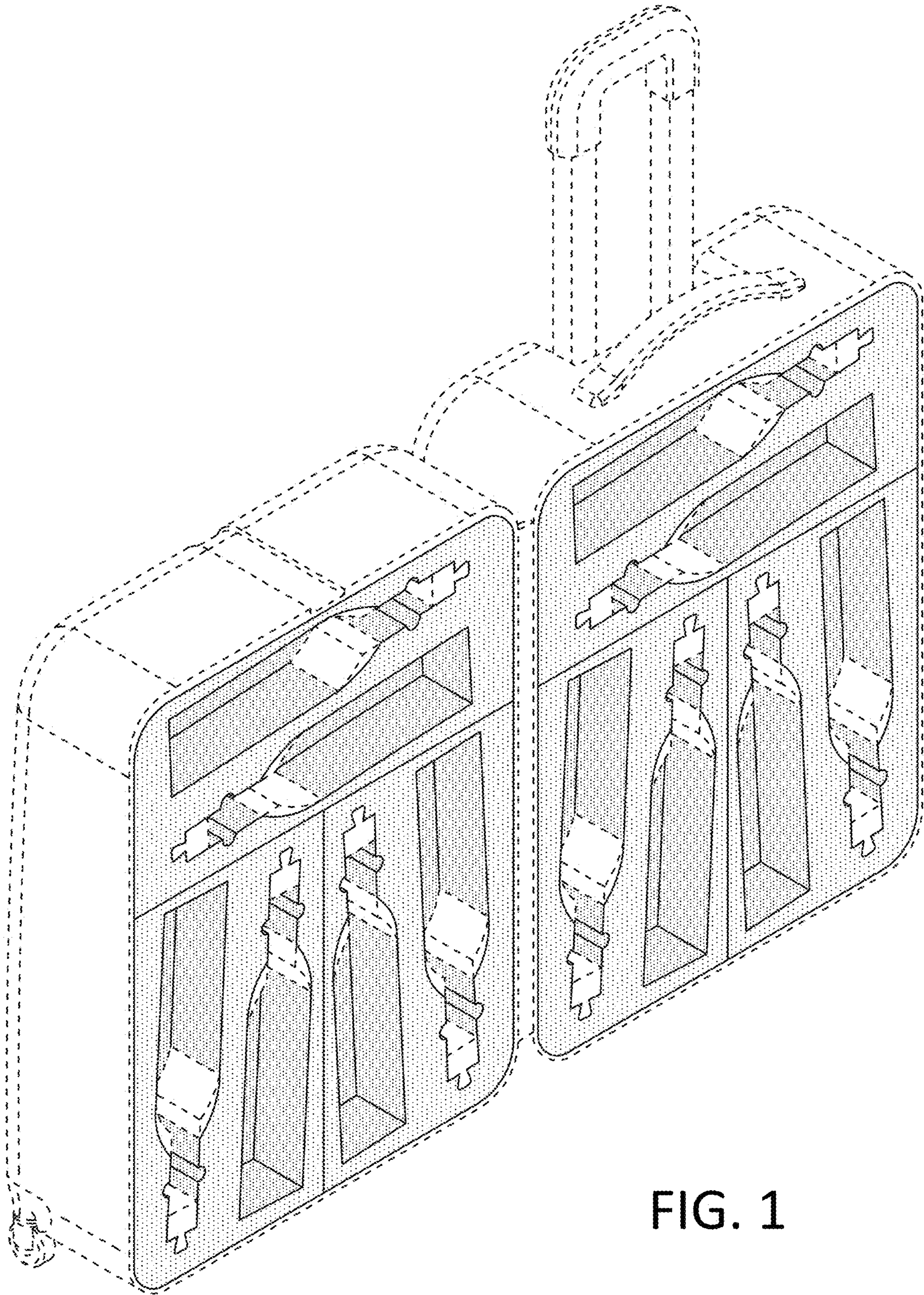


FIG. 1

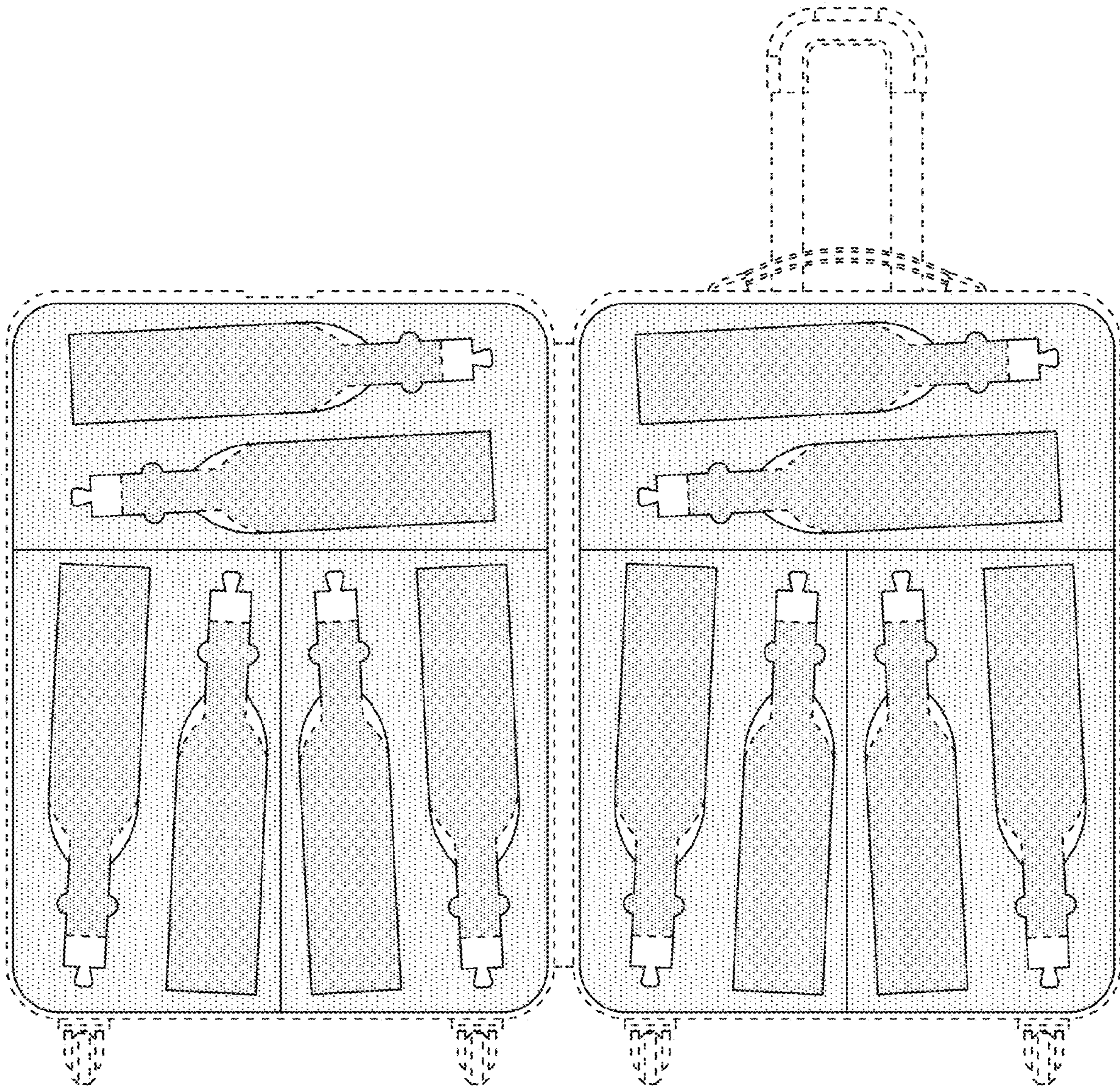


FIG. 2