



US00D932772S

(12) **United States Design Patent** (10) **Patent No.:** **US D932,772 S**  
**Bandurski et al.** (45) **Date of Patent:** **\*\* Oct. 12, 2021**

(54) **INTERLOCKING TILE**

(71) Applicant: **Red Wing Shoe Company, Inc.**, Red Wing, MN (US)

(72) Inventors: **Kristen Bandurski**, Red Wing, MN (US); **Matthew Renna**, Williston, VT (US)

(73) Assignee: **Red Wing Shoe Company, Inc.**, Red Wing, MN (US)

(\*\*) Term: **15 Years**

(21) Appl. No.: **29/662,012**

(22) Filed: **Aug. 31, 2018**

(51) **LOC (13) Cl.** ..... **03-01**

(52) **U.S. Cl.**  
USPC ..... **D3/318; D21/505; D25/138**

(58) **Field of Classification Search**  
USPC ..... **D3/318; D21/505**

(Continued)

(56) **References Cited**

**U.S. PATENT DOCUMENTS**

D35,691 S 2/1902 Watts, Jr.  
2,148,904 A 2/1939 Horowitz

(Continued)

**FOREIGN PATENT DOCUMENTS**

KR 101584171 B1 1/2015  
WO 1998018863 A1 5/1998

**OTHER PUBLICATIONS**

Beller, "Link" Product Website, 2011, <http://www.beller/no/link> (3 pgs).

(Continued)

*Primary Examiner* — Michelle E. Wilson

(74) *Attorney, Agent, or Firm* — Merchant & Gould P.C.

(57) **CLAIM**

The ornamental designs for an interlocking tile, as shown.

**DESCRIPTION**

FIG. 1 is an environmental, front perspective view of a first embodiment of an interlocking tile

FIG. 2 is an enlarged lower perspective view of the interlocking tile in FIG. 1.

FIG. 3 is an upper perspective view of the interlocking tile in FIG. 1.

FIG. 4 is a front plan view of the interlocking tile in FIG. 1.

FIG. 5 is a back plan view of the interlocking tile in FIG. 1.

FIG. 6 is a right side planar view of the interlocking tile in FIG. 1.

FIG. 7 is a left side planar view of the interlocking tile in FIG. 1.

FIG. 8 is a top planar view of the interlocking tile in FIG. 1.

FIG. 9 is a bottom planar view of the interlocking tile in FIG. 1.

FIG. 10 is an environmental, front perspective view of a second embodiment of an interlocking tile.

FIG. 11 is a lower perspective view of the interlocking tile in FIG. 10.

FIG. 12 is an upper perspective view of the interlocking tile in FIG. 10.

FIG. 13 is a front plan view of the interlocking tile in FIG. 10.

FIG. 14 is a back plan view of the interlocking tile in FIG. 10.

FIG. 15 is a right side planar view of the interlocking tile in FIG. 10.

FIG. 16 is a left side planar view of the interlocking tile in FIG. 10.

FIG. 17 is a top planar view of the interlocking tile in FIG. 10.

FIG. 18 is a bottom planar view of the interlocking tile in FIG. 10.

FIG. 19 is an environmental, front perspective view of a third embodiment of an interlocking tile.

FIG. 20 is a lower perspective view of the interlocking tile in FIG. 19.

(Continued)



FIG. 21 is an upper perspective view of the interlocking tile in FIG. 19.

FIG. 22 is a front plan view of the interlocking tile in FIG. 19.

FIG. 23 is a back plan view of the interlocking tile in FIG. 19.

FIG. 24 is a right side planar view of the interlocking tile in FIG. 19.

FIG. 25 is a left side planar view of the interlocking tile in FIG. 19.

FIG. 26 is a top planar view of the interlocking tile in FIG. 19; and,

FIG. 27 is a bottom planar view of the interlocking tile in FIG. 19.

The broken lines showing portions of the handbag and the tile are for the purposes of illustrating environment and form no part of the claimed design.

D409,668	S	5/1999	Madner	
6,079,902	A	6/2000	Pettee, Jr.	
6,264,879	B1	7/2001	Addie et al.	
7,731,814	B2	6/2010	Bevan	
D639,459	S	6/2011	Martin et al.	
8,221,183	B2 *	7/2012	Matos .....	A63H 33/08 446/124
8,445,391	B2	5/2013	Nakayama et al.	
8,845,381	B2	9/2014	Ziegler	
D721,142	S *	1/2015	Ziegler .....	D21/505
8,961,258	B2	2/2015	Balint	
9,185,947	B2	11/2015	Spencer et al.	
9,248,695	B2 *	2/2016	Radvanyi .....	A63F 9/001
9,498,735	B2	11/2016	Mohanty	
D790,638	S	6/2017	Kuo	
9,808,734	B2	11/2017	Kuo	
9,822,481	B2	11/2017	Pourdeyhimi et al.	
D853,080	S	7/2019	Albuja Cuadrado et al.	
2005/0073095	A1	4/2005	Pharaoh	
2005/0106989	A1	5/2005	Rincover	
2018/0094329	A1	4/2018	Kim	

**1 Claim, 12 Drawing Sheets**

(58) **Field of Classification Search**  
CPC ..... A63H 33/04; A63H 33/08; A63H 33/00  
See application file for complete search history.

(56) **References Cited**

U.S. PATENT DOCUMENTS

2,337,180	A	12/1943	Burdon-Cooper	
3,157,582	A	11/1964	Babule et al.	
3,456,413	A	7/1969	Fischer	
3,654,051	A	4/1972	Bieler	
4,325,236	A	4/1982	Tsui et al.	
4,350,341	A	9/1982	Wallace	
4,731,041	A	3/1988	Ziegler	
4,792,319	A	12/1988	Svagerko	
D304,214	S *	10/1989	Buist .....	D21/489
4,875,803	A	10/1989	Scales	
5,429,451	A	7/1995	Pettee, Jr.	
5,449,245	A	9/1995	Glickman	
5,653,631	A	8/1997	Andersen et al.	

OTHER PUBLICATIONS

Elvis & Kresse, "Leather Cube" product information, Nov. 2016, <https://www.elvisandkresse.com/collections/at-home/products/leather-cube> (2 pgs).

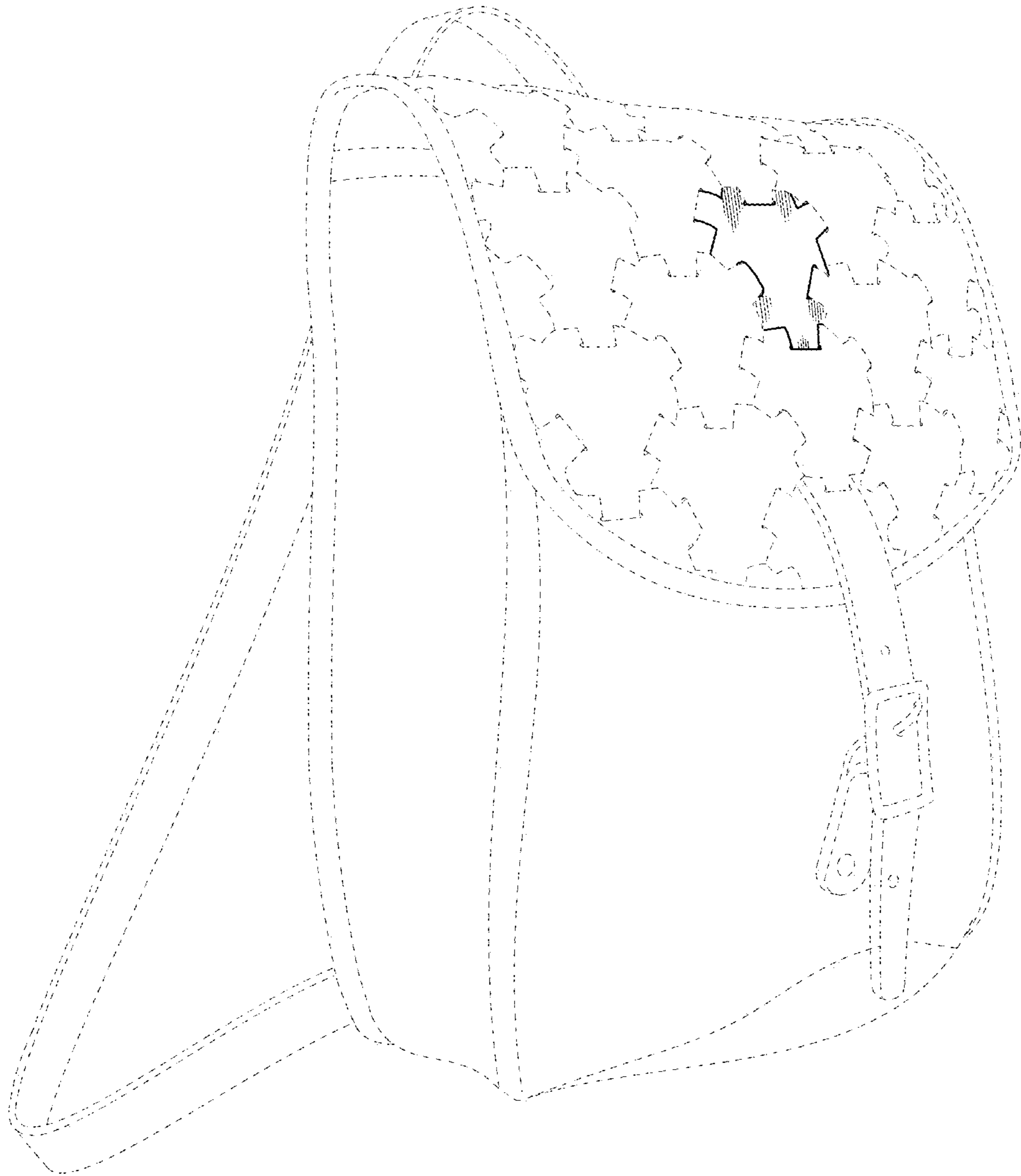
Elvis & Kresse, Leather Rug: product information, Nov. 2016, <https://www.elvisandkresse.com/collection/at-home/products/leather-rug> (2 pgs).

U.S. Pat. No. 708,470A, issued Sep. 2, 1902, to Flood, Alfred L.  
U.S. Pat. No. 751,275A, issued Feb. 2, 1904, to Flint, S.B.

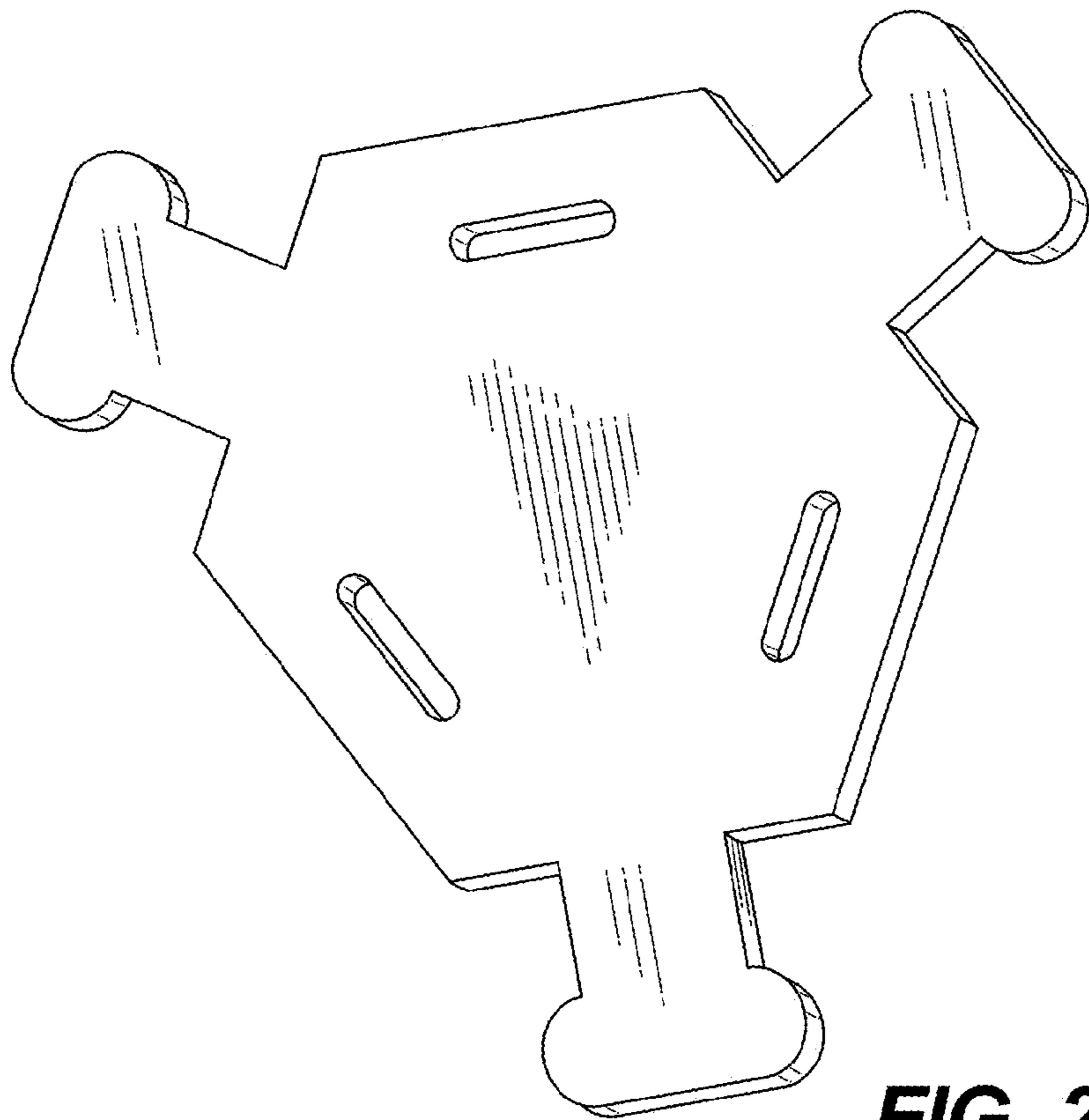
Bandurski, Design U.S. Appl. No. 29/662,017, filed Aug. 31, 2018.  
Hexagon puzzle Royalty Free Vector Image—VectorStock (online), no date available. Retrieved from Internet Jul. 30, 2019, URL: <https://www.vectorstock.com/royalty-free-vector/hexagon-puzzle-vector-5126430> (1 page).

NY Design Week 2013: 'Home in the Woods' Celebrates Swedish Modern and New Nordic Design—Core77 (online), dated May 23, 2013. Retrieved from Internet Aug. 23, 2019, URL: <https://www.core77.com/posts/24932/NY-Desing-Week-2013-Home-in-the-Woods-Celebrates-Swedish-Modern-and-New-Nordic-Design> (5 pages) (Year: 2013).

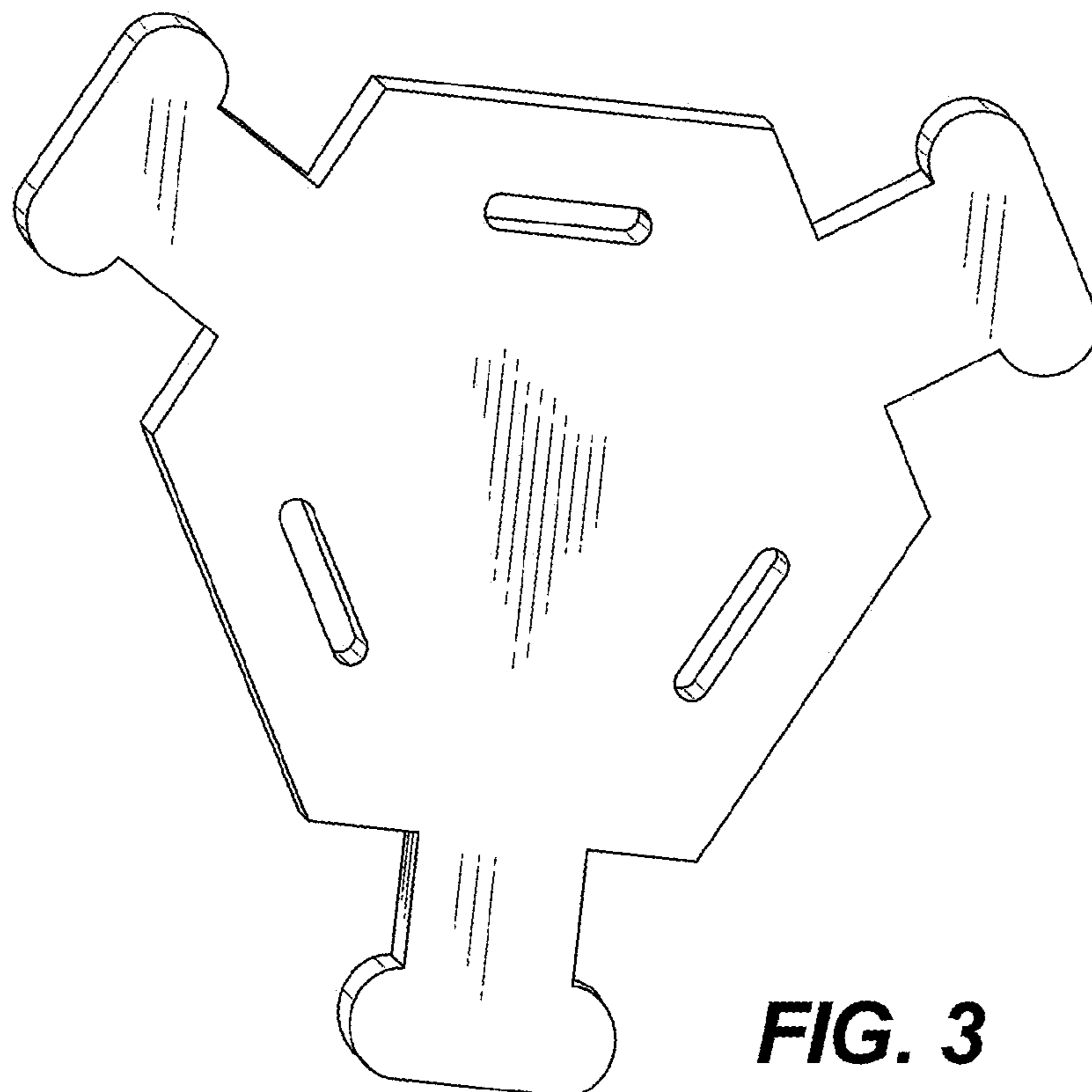
\* cited by examiner



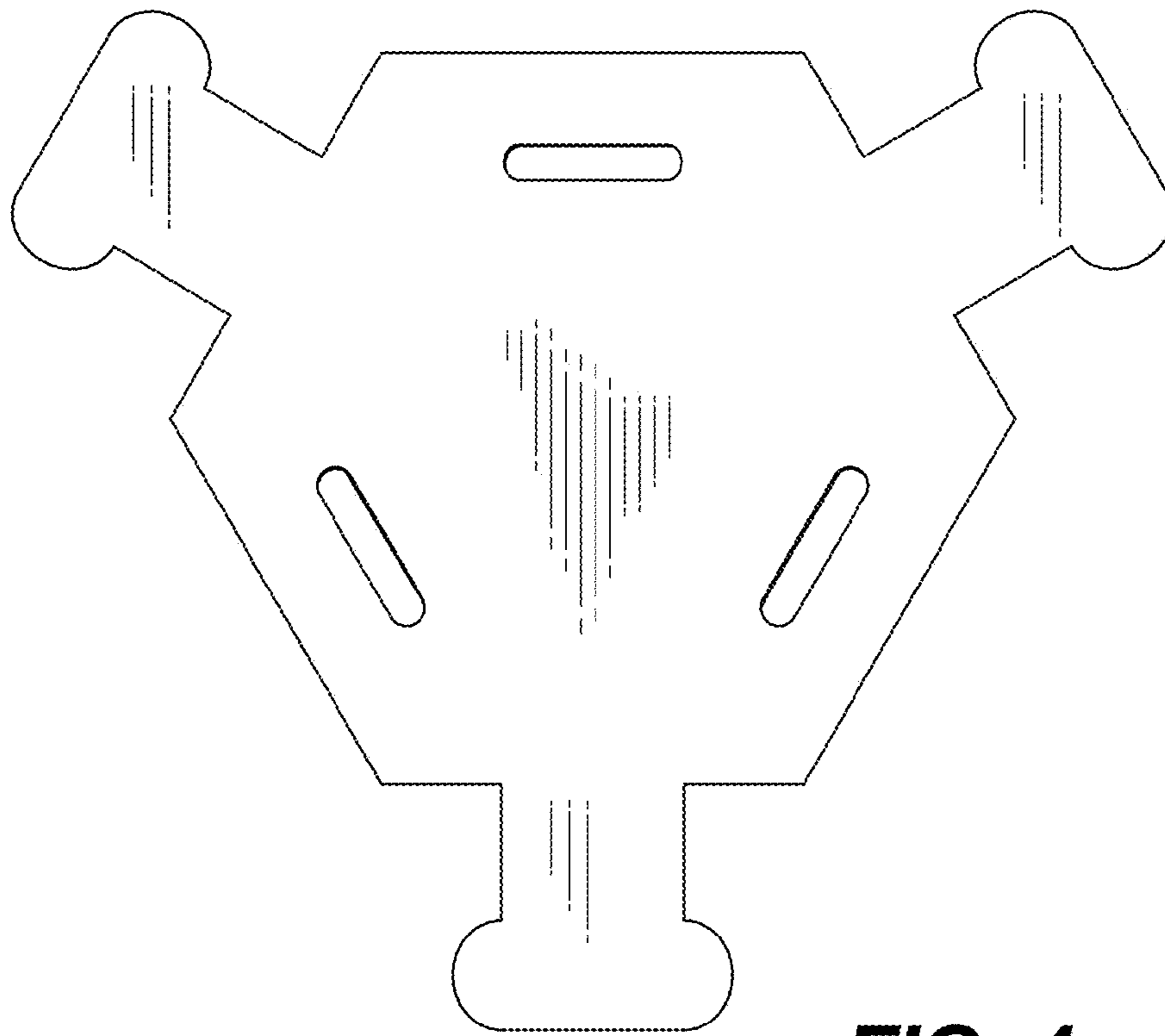
**FIG. 1**



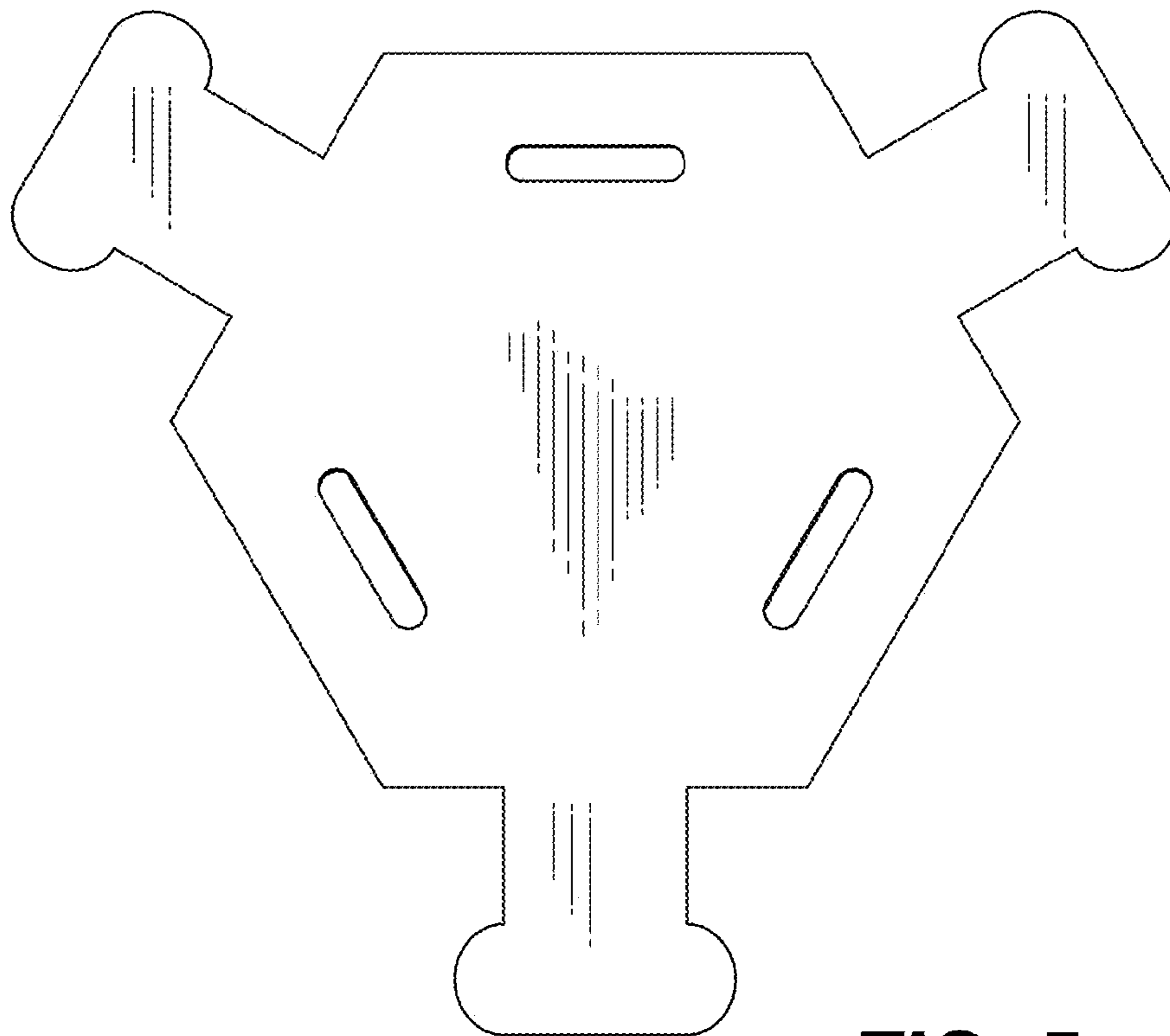
**FIG. 2**



**FIG. 3**



**FIG. 4**



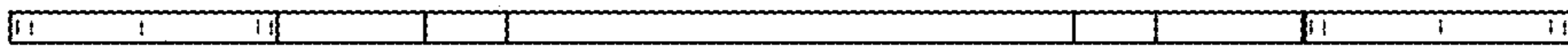
**FIG. 5**



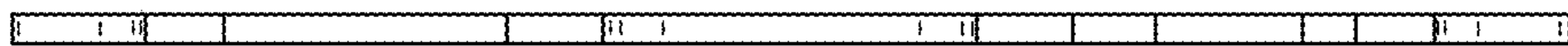
**FIG. 6**



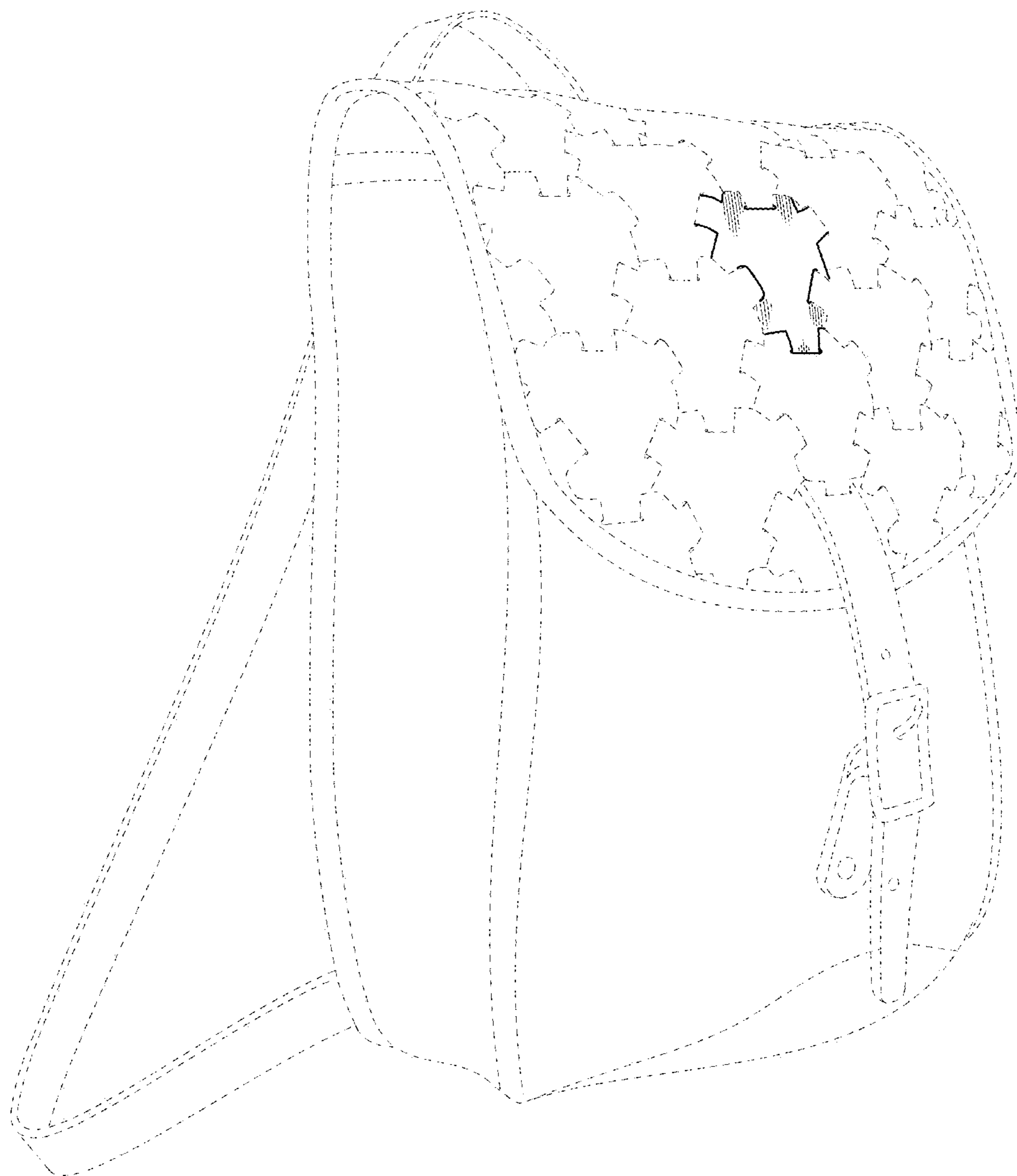
**FIG. 7**



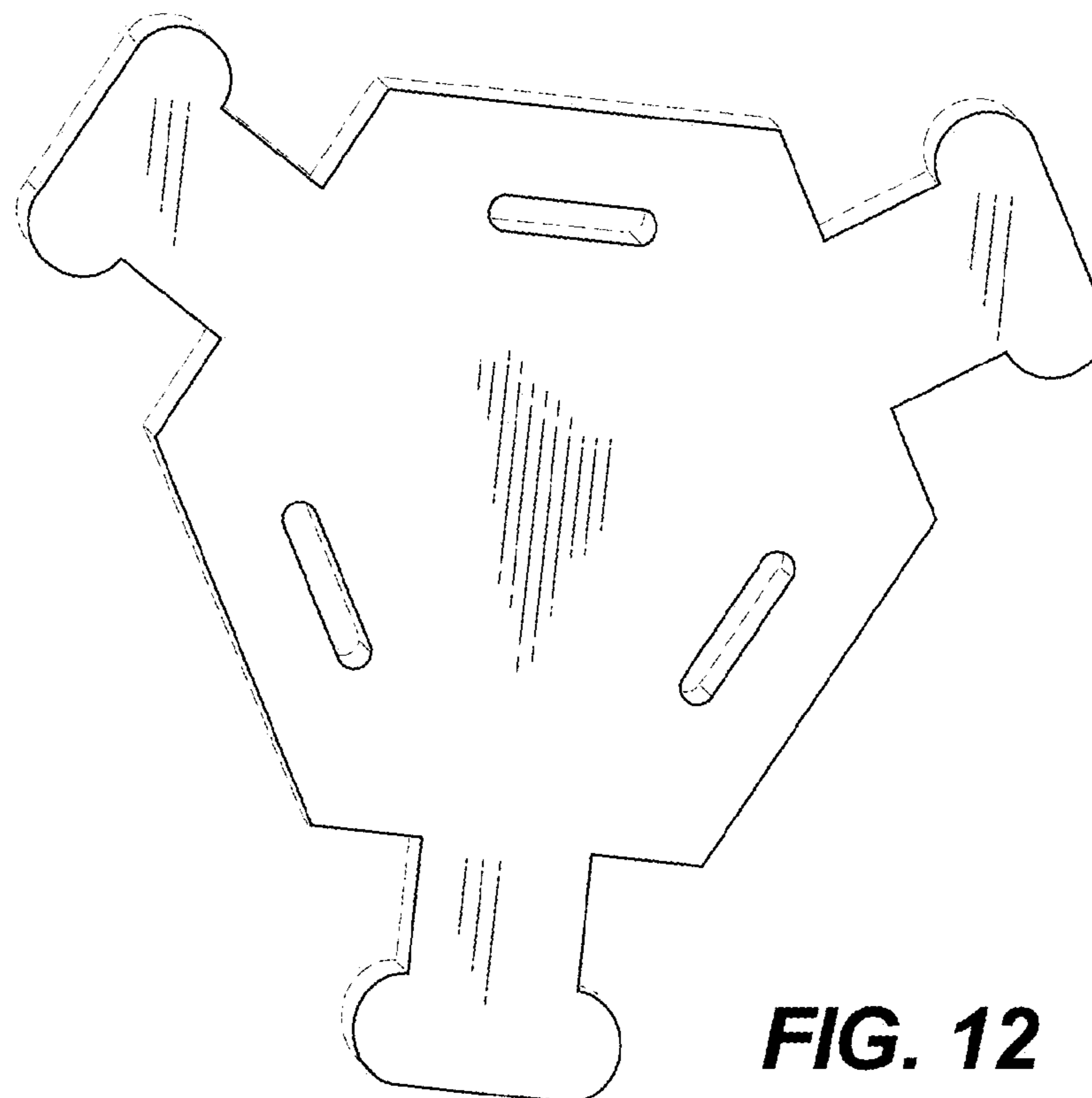
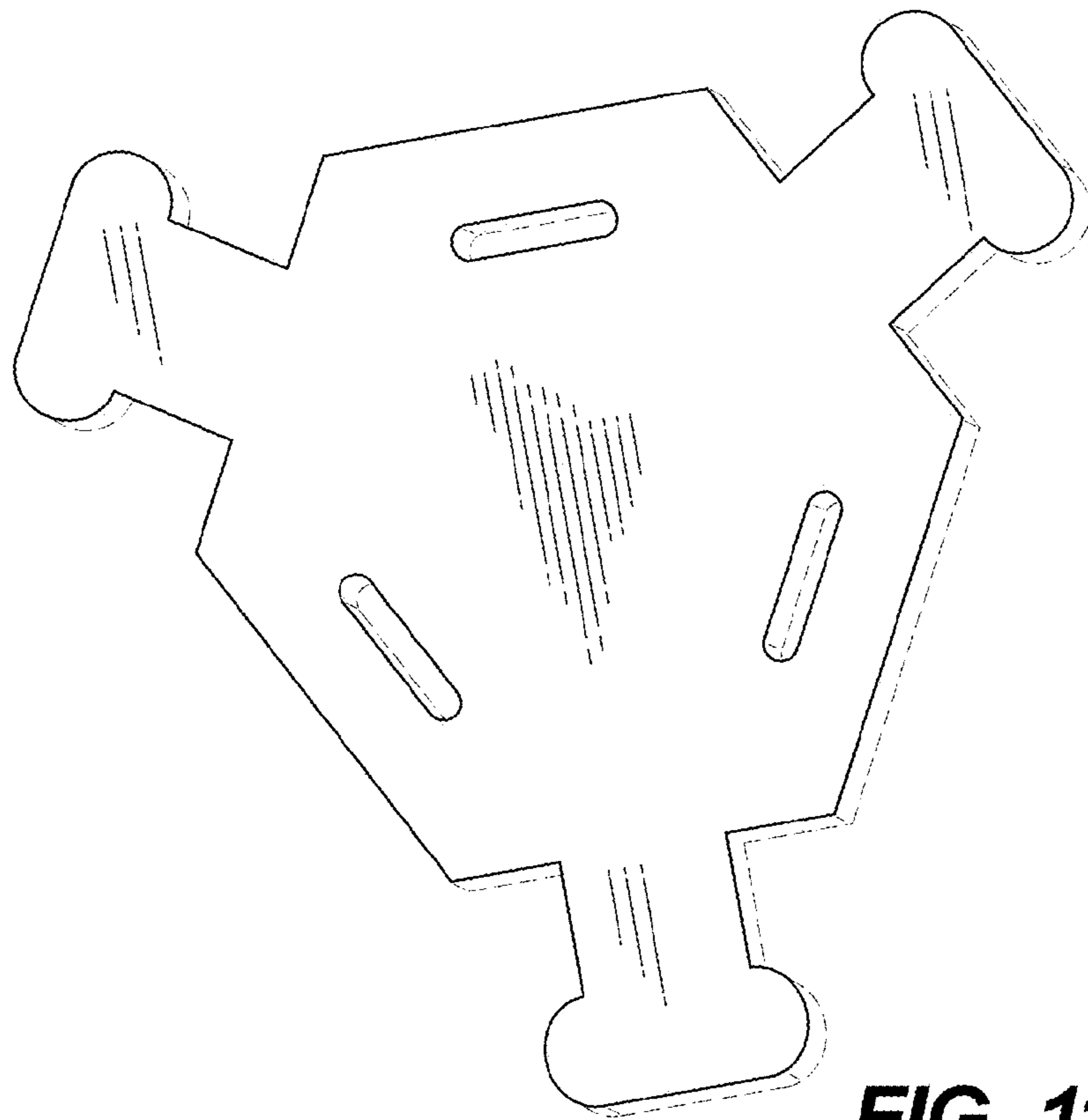
**FIG. 8**



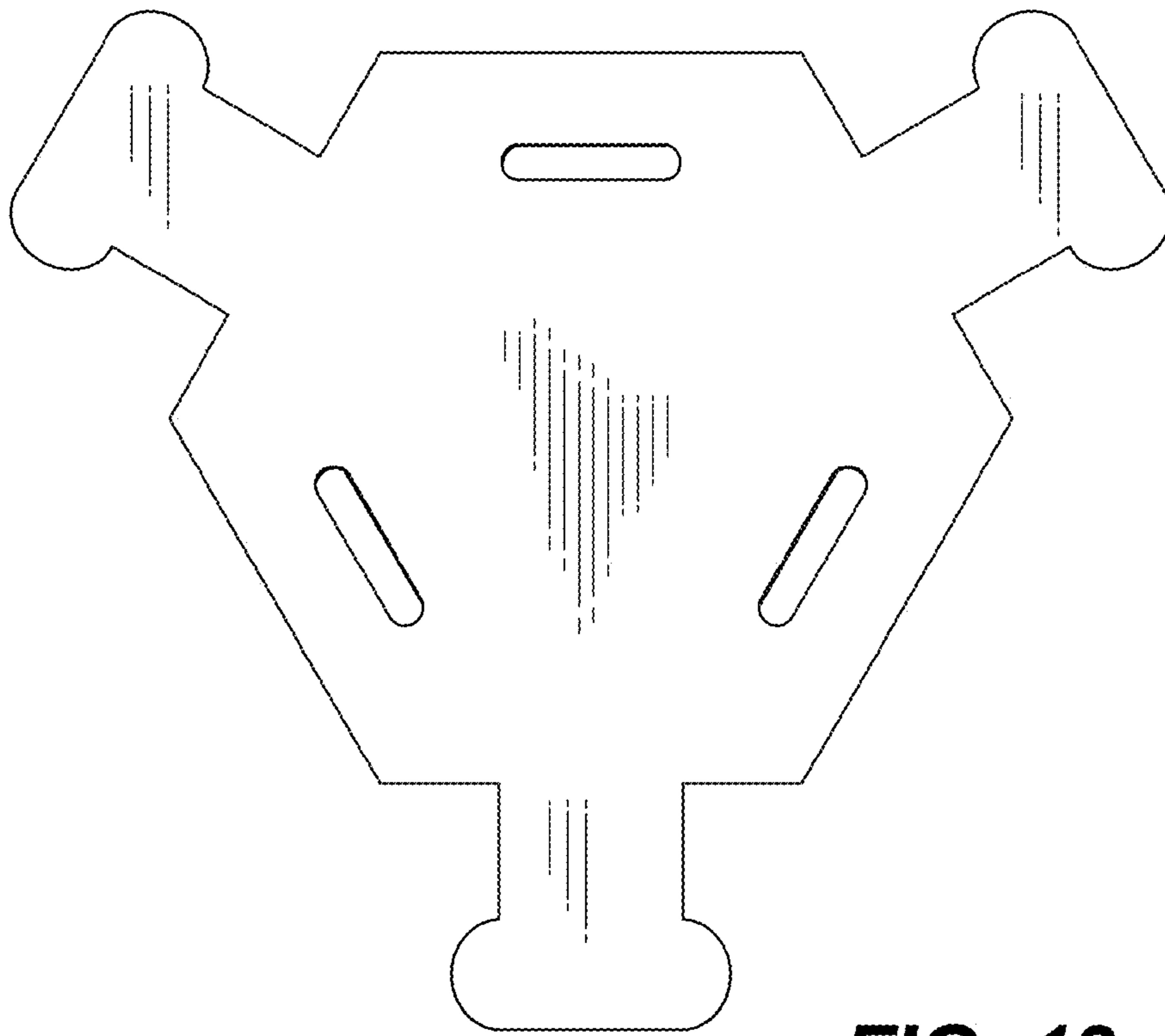
**FIG. 9**



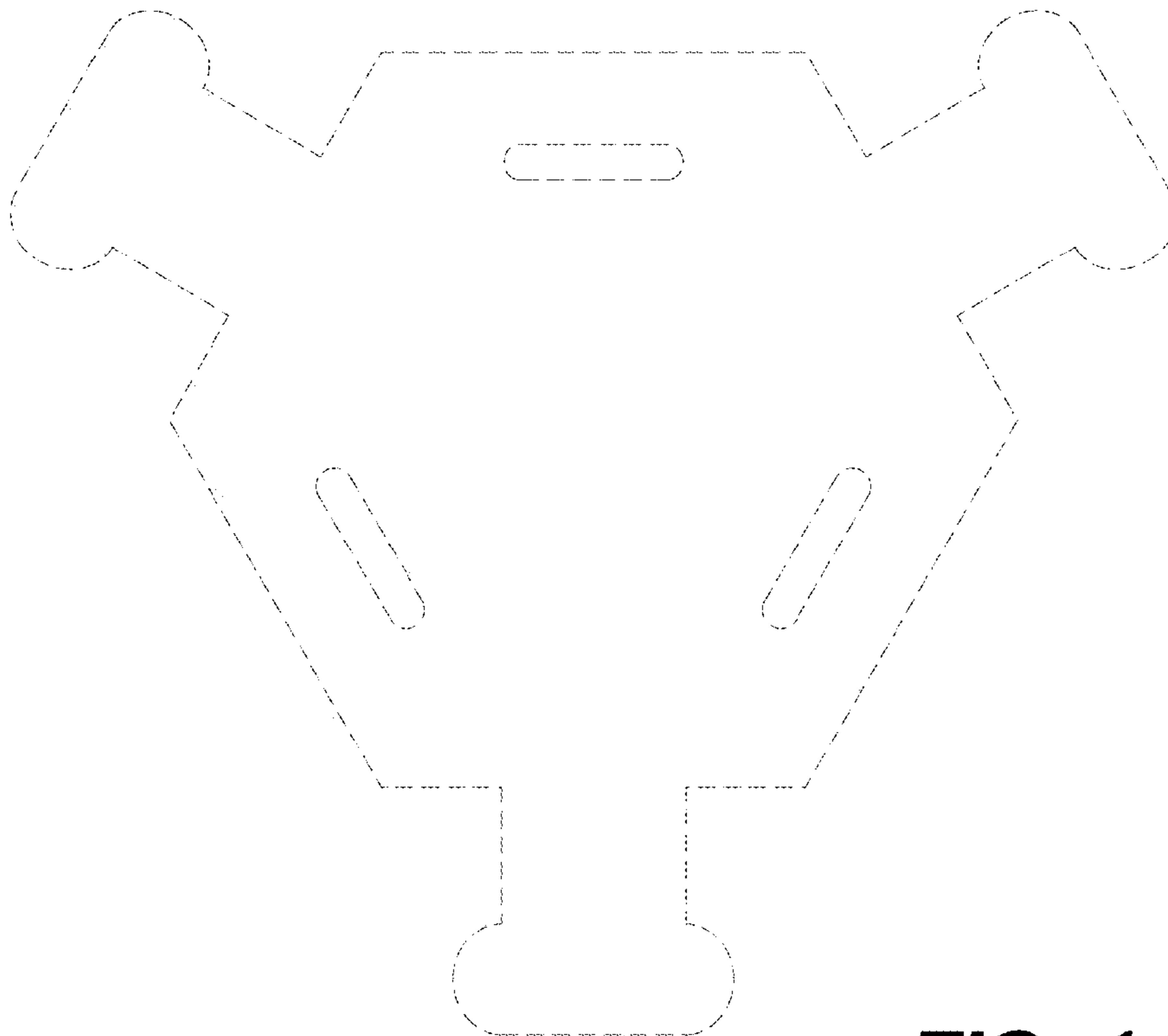
**FIG. 10**



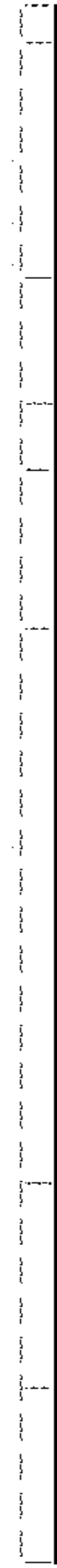




**FIG. 13**



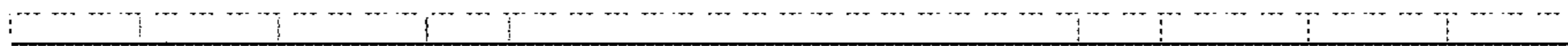
**FIG. 14**



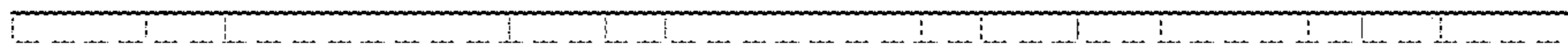
**FIG. 15**



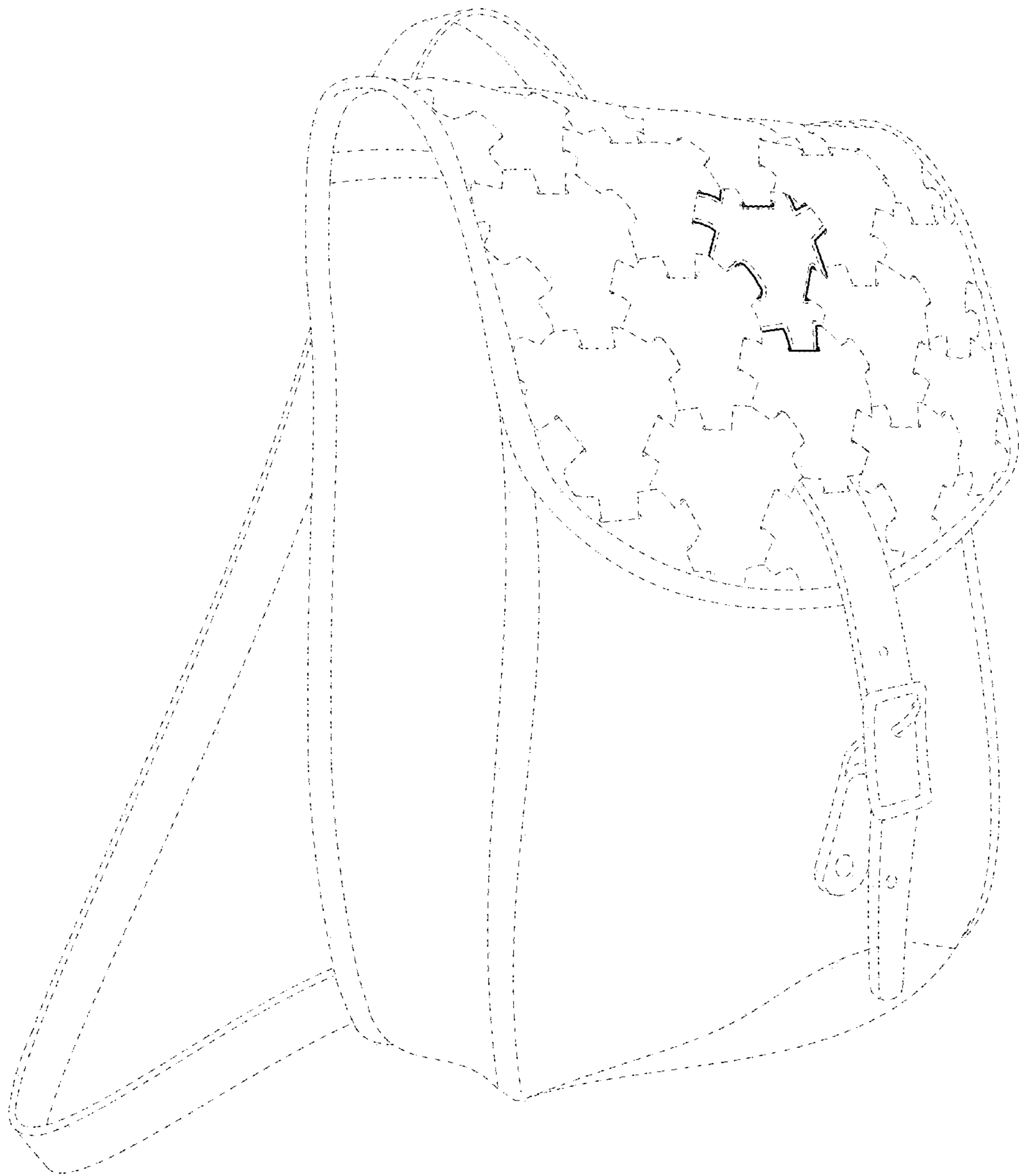
**FIG. 16**



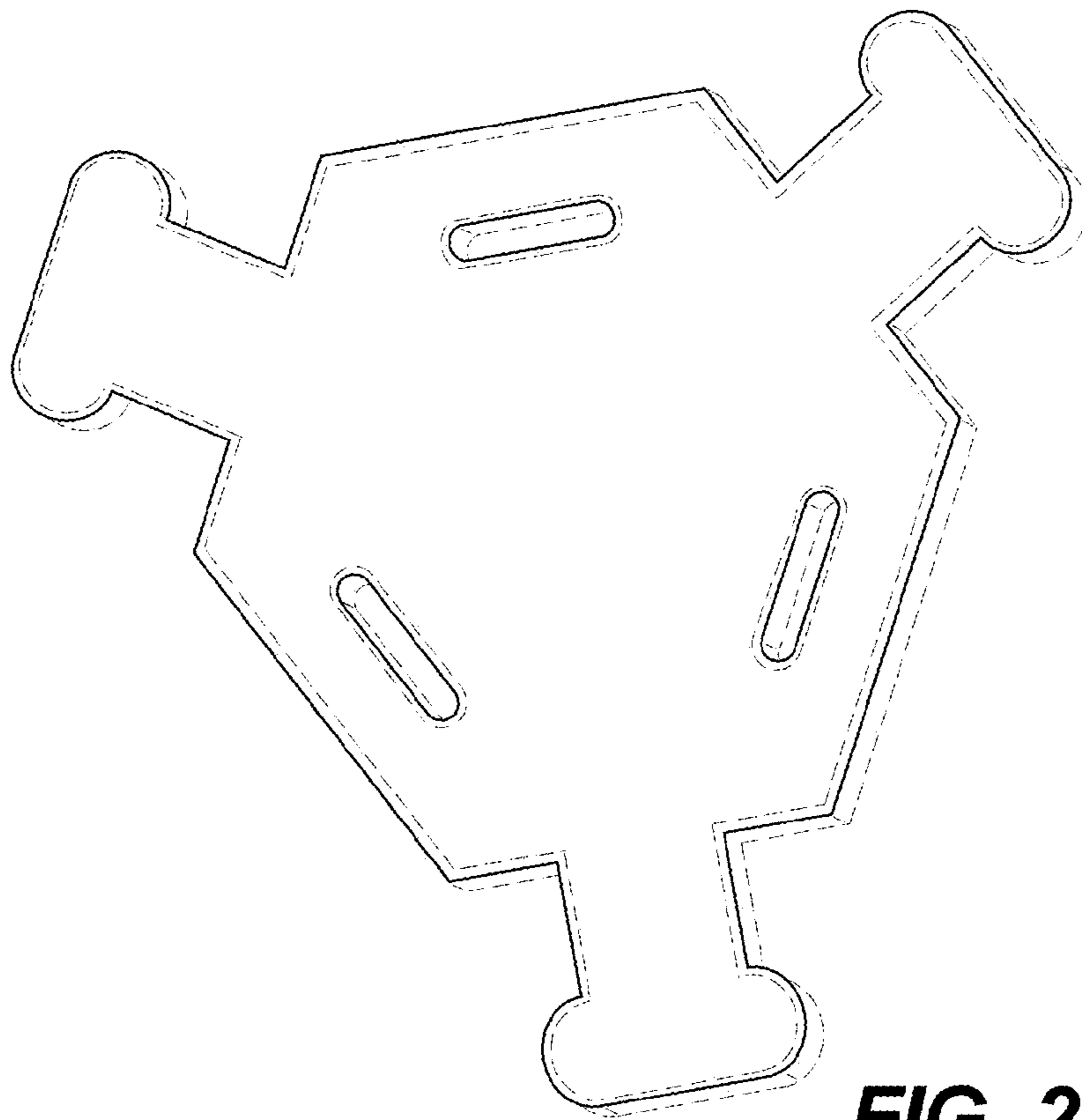
**FIG. 17**



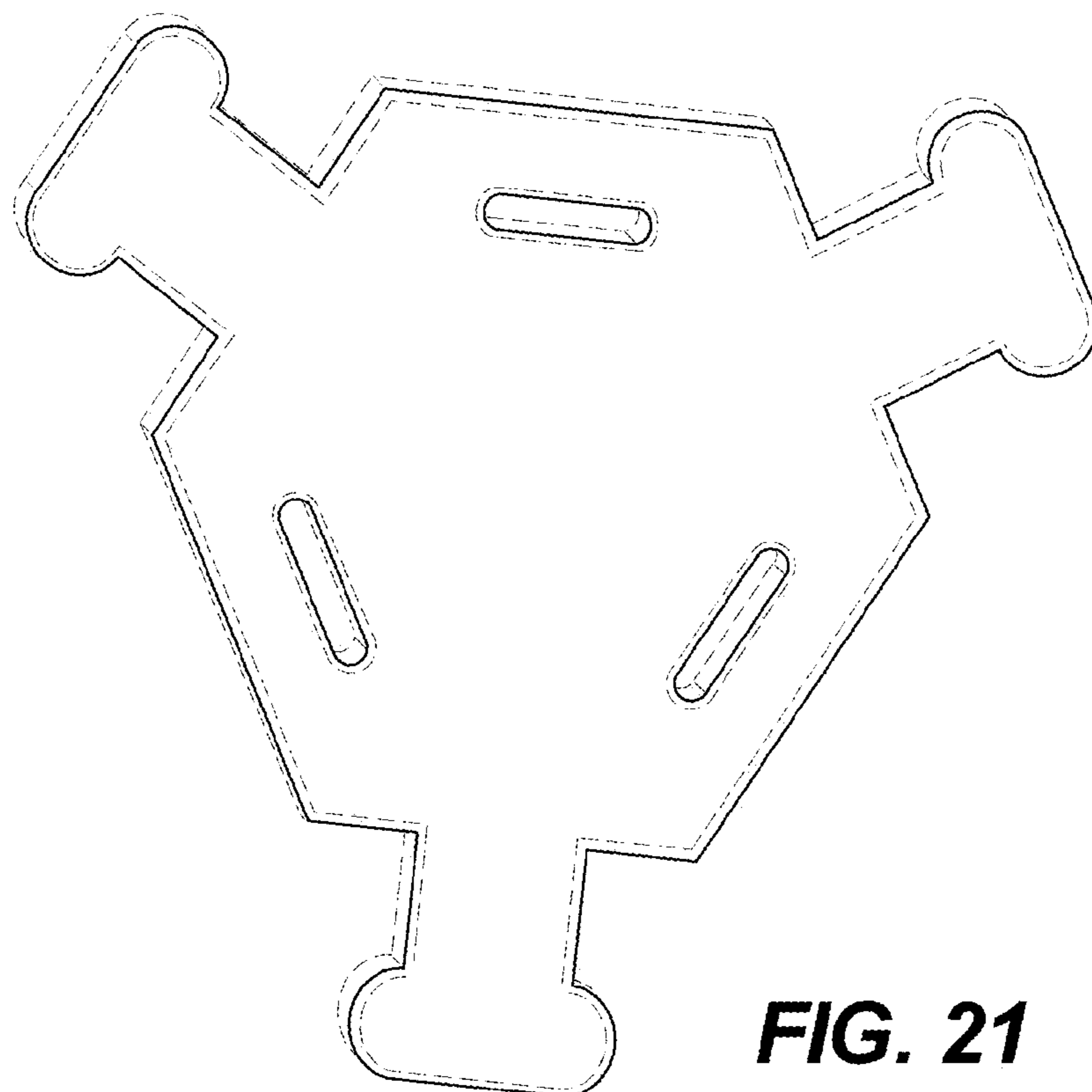
**FIG. 18**



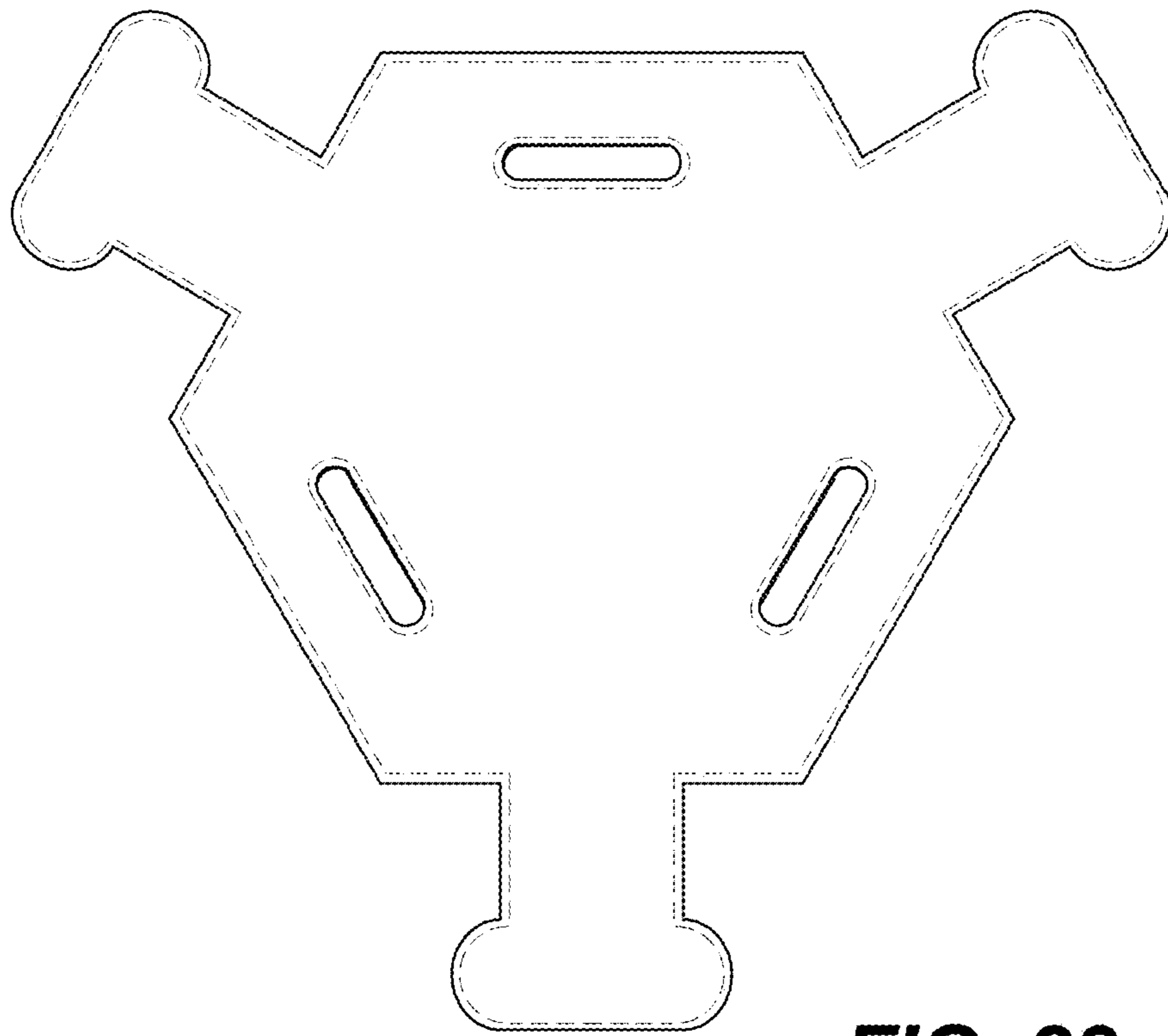
**FIG. 19**



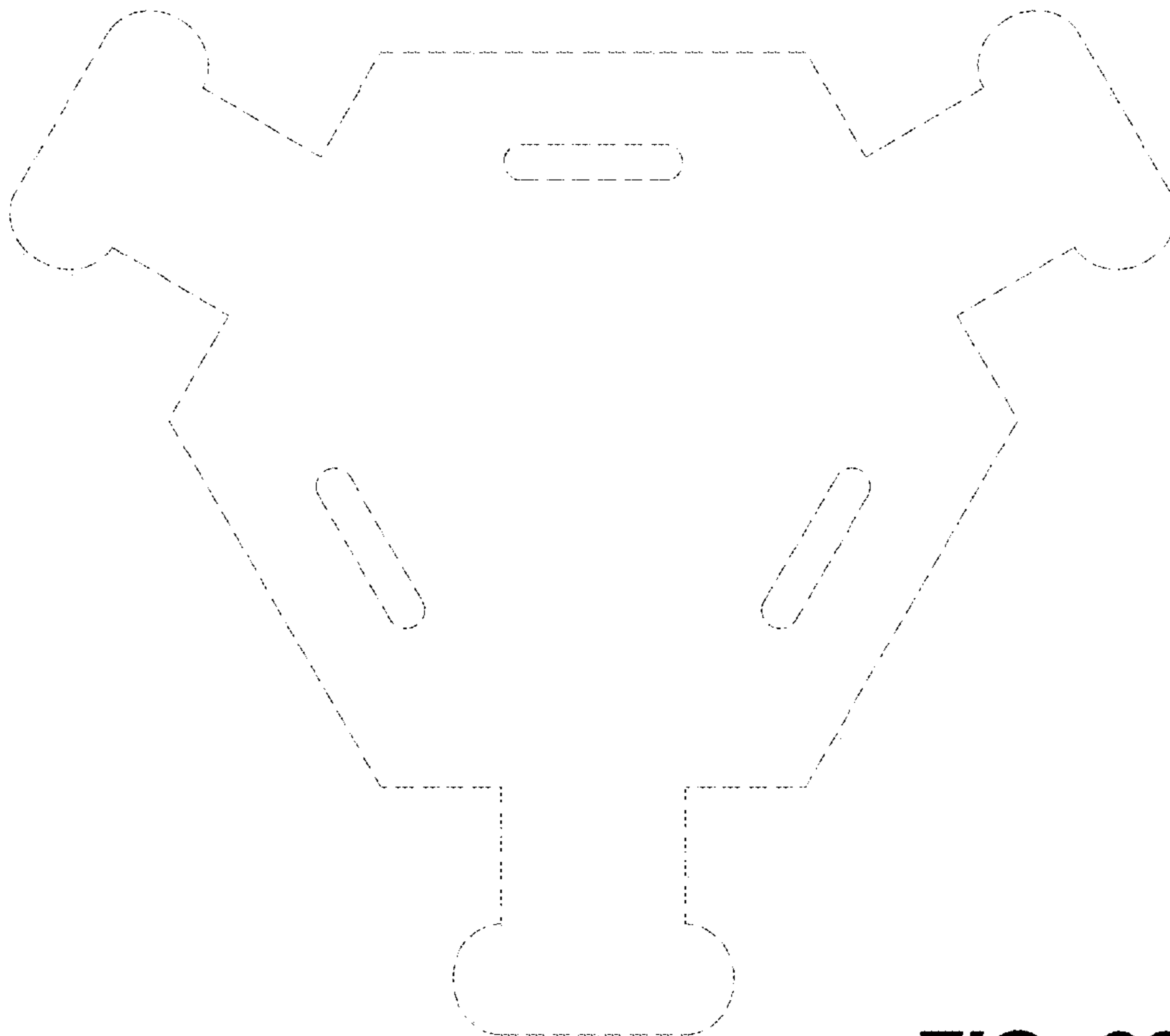
**FIG. 20**



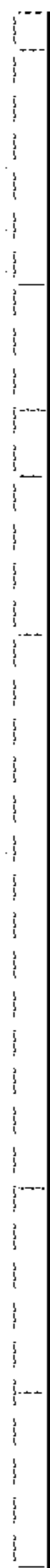
**FIG. 21**



**FIG. 22**



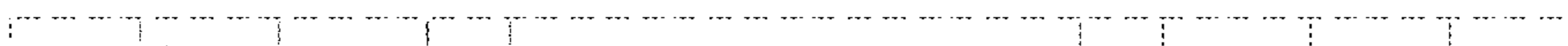
**FIG. 23**



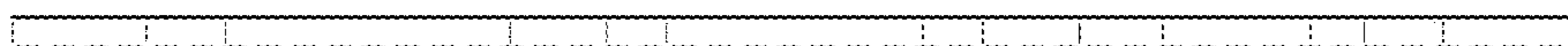
**FIG. 24**



**FIG. 25**



**FIG. 26**



**FIG. 27**