



US00D932771S

(12) **United States Design Patent** (10) **Patent No.:** **US D932,771 S**
Nimgulkar et al. (45) **Date of Patent:** **** Oct. 12, 2021**

(54) **BASKETS**

- (71) Applicant: **Clairson, Inc.**, Newark, DE (US)
- (72) Inventors: **Milind Sahebrao Nimgulkar**, Pune (IN); **Priya Chaurasia**, Pune (IN)
- (73) Assignee: **Clairson, Inc.**, Newark, DE (US)
- (**) Term: **15 Years**
- (21) Appl. No.: **29/755,736**
- (22) Filed: **Oct. 22, 2020**

Related U.S. Application Data

- (60) Division of application No. 29/642,797, filed on Apr. 2, 2018, which is a division of application No. 29/576,492, filed on Sep. 2, 2016, now Pat. No. Des. 814,189, and a continuation-in-part of application No. 15/433,373, filed on Feb. 15, 2017, now abandoned, which is a continuation of application No. 15/131,323, filed on Apr. 18, 2016, now Pat. No. 9,596,931, said application No. 29/576,492 is a continuation-in-part of application No. 15/131,323, filed on Apr. 18, 2016, now Pat. No. 9,596,931.

Foreign Application Priority Data

- Mar. 4, 2016 (IN) 201621007648
- (51) **LOC (13) Cl.** **03-01**
- (52) **U.S. Cl.**
USPC **D3/306**
- (58) **Field of Classification Search**
USPC D3/201, 304, 306-309, 314, 315;
D9/429; D19/75-77, 86, 92
CPC B65D 21/00; B65D 21/0209; B65D 1/38;
B65D 1/00; B65D 21/0211; B65D 7/14;
B65D 7/42
See application file for complete search history.

(56) **References Cited**

U.S. PATENT DOCUMENTS

- 1,938,217 A 12/1933 Darbyshire
 - 1,995,399 A 3/1935 Reedy et al.
 - 2,103,885 A 12/1937 Whalen
 - 2,633,400 A 3/1953 Ring
- (Continued)

OTHER PUBLICATIONS

U.S. Office Action for U.S. Appl. No. 29/615,639, dated Jan. 11, 2019, 6 pages.

Primary Examiner — Kelley A Donnelly

(74) *Attorney, Agent, or Firm* — Brooks Kushman P.C.

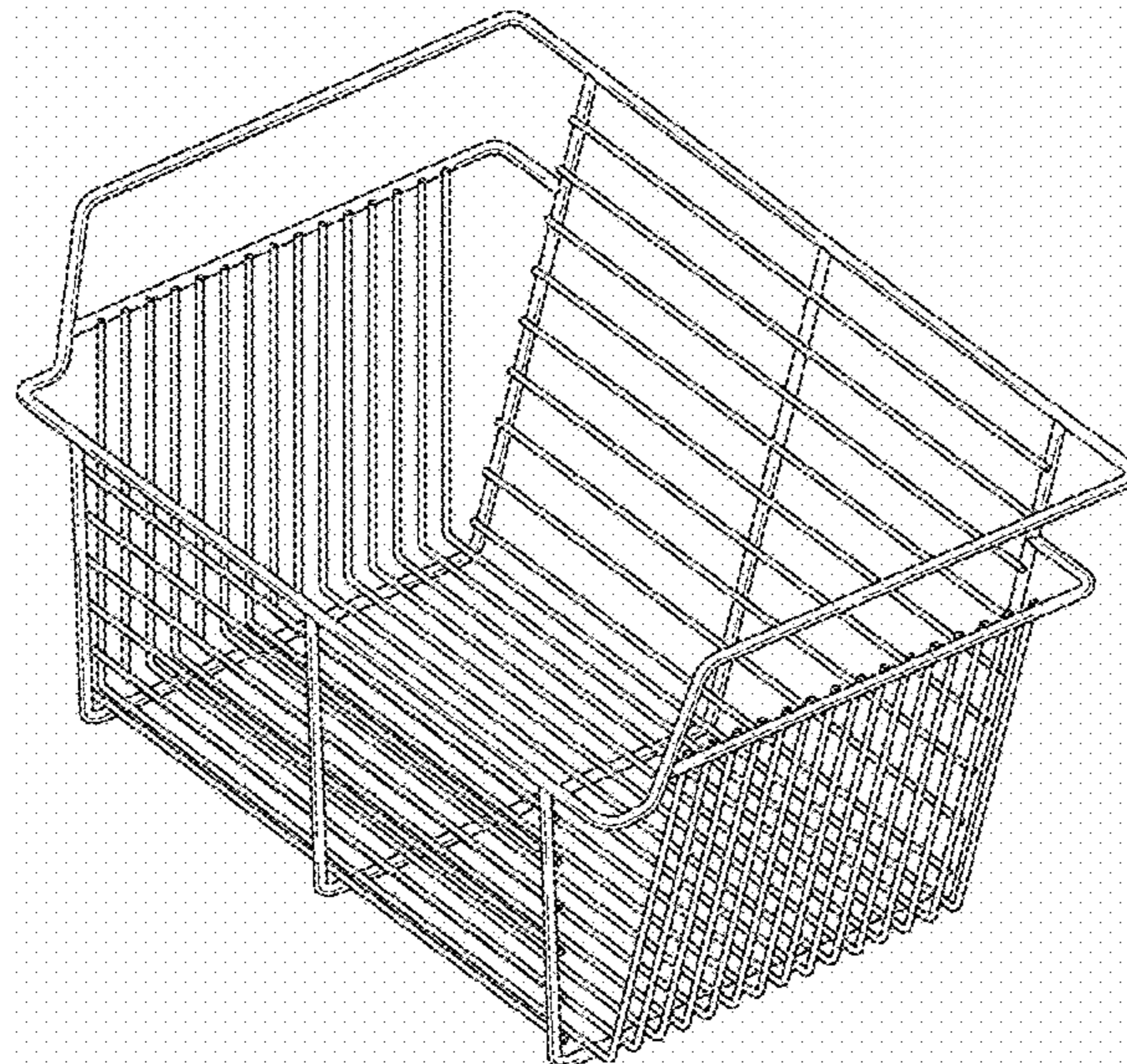
(57) **CLAIM**

The ornamental design for a basket, as shown and described.

DESCRIPTION

FIG. 1 is a perspective view of a first embodiment of a basket showing our new design;
 FIG. 2 is a front view of the basket shown in FIG. 1;
 FIG. 3 is a back view of the basket shown in FIG. 1;
 FIG. 4 is a right side view of the basket shown in FIG. 1;
 FIG. 5 is a left side view of the basket shown in FIG. 1;
 FIG. 6 is a top view of the basket shown in FIG. 1;
 FIG. 7 is a bottom view of the basket shown in FIG. 1;
 FIG. 8 is a perspective view of a second embodiment of a basket showing our new design;
 FIG. 9 is a front view of the basket shown in FIG. 8;
 FIG. 10 is a back view of the basket shown in FIG. 8;
 FIG. 11 is a right side view of the basket shown in FIG. 8;
 FIG. 12 is a left side view of the basket shown in FIG. 8;
 FIG. 13 is a top view of the basket shown in FIG. 8;
 FIG. 14 is a bottom view of the basket shown in FIG. 8;
 FIG. 15 is a perspective view of a third embodiment of a basket showing our new design; and,
 FIG. 16 is front view of the basket shown in FIG. 15.

1 Claim, 16 Drawing Sheets



(56)

References Cited

U.S. PATENT DOCUMENTS

D193,215 S	7/1962	Fredrick	D710,124 S	8/2014	Goodman et al.
3,272,377 A	9/1966	Schray	D717,070 S	11/2014	Callif et al.
D264,761 S	6/1982	Dekarski	8,960,584 B1	2/2015	Fearon
D270,963 S	10/1983	Hawes et al.	9,022,496 B2	5/2015	Armstrong et al.
D296,601 S	7/1988	Chap	9,052,118 B2	6/2015	Metcalf et al.
5,036,990 A	8/1991	Verchere	D734,610 S	7/2015	Christie
5,086,936 A	2/1992	Remmers	D745,377 S	12/2015	Ressler et al.
5,181,621 A	1/1993	Plaehn	D746,127 S	12/2015	Cohen
5,224,610 A	7/1993	Veazey	D747,876 S	1/2016	Goodman et al.
D343,712 S	1/1994	Linder	D757,457 S	5/2016	Guindi et al.
5,303,997 A	4/1994	Kropf	D758,732 S	6/2016	Goodman et al.
D348,760 S	7/1994	Linder	D764,901 S	8/2016	Esparza
5,330,063 A	7/1994	Remmers	D774,383 S	12/2016	Kennedy
5,452,500 A	9/1995	Revis	D778,712 S	2/2017	Kennedy
5,457,867 A	10/1995	Maberry et al.	D779,232 S	2/2017	Pan et al.
5,509,632 A	4/1996	Mesna et al.	9,596,931 B1	3/2017	Nimgulkar et al.
D395,548 S	6/1998	Morissette	D784,697 S	4/2017	Goodman et al.
6,164,582 A	12/2000	Vara	D784,699 S	4/2017	Goodman et al.
D438,042 S	2/2001	Hofman et al.	D784,700 S	4/2017	Goodman et al.
6,238,031 B1	5/2001	Weng	D785,333 S	5/2017	Goodman et al.
6,341,704 B1	1/2002	Michel, Jr.	D793,087 S	8/2017	Goodman et al.
6,491,173 B1	12/2002	Costa	D794,430 S	8/2017	Brandenburg
6,505,745 B1	1/2003	Anderson	9,924,784 B1	3/2018	Loso
D472,750 S	4/2003	Clucas	D814,189 S	4/2018	Nimgulkar et al.
6,578,720 B1	6/2003	Wang	D819,431 S	6/2018	Goodman et al.
D477,144 S	7/2003	Remmers	D821,184 S	6/2018	Berger et al.
6,679,392 B1	1/2004	Costa	D822,469 S	7/2018	Shoenhair et al.
D498,632 S	11/2004	Anderson et al.	D823,599 S	7/2018	Goodman et al.
6,840,593 B2	1/2005	Remmers	D823,710 S	7/2018	Schone et al.
D507,108 S	7/2005	Suero, Jr.	D831,471 S	10/2018	Kim et al.
D508,167 S	8/2005	Anderson et al.	D835,542 S	12/2018	Lybarger et al.
D508,321 S	8/2005	Anderson et al.	D838,980 S	1/2019	Wilson et al.
6,938,617 B2	9/2005	Le et al.	D862,883 S	10/2019	Stelmarski
D512,223 S	12/2005	Snell	D881,575 S *	4/2020	Wilson D3/306
7,047,601 B1	5/2006	Vernon-Woods	D891,779 S *	8/2020	Dittrich D3/306
D526,454 S	8/2006	Plikuhn	D894,603 S *	9/2020	Dittrich D3/306
7,108,143 B1	9/2006	Lin	D901,180 S *	11/2020	Li D3/305
D540,091 S	4/2007	Snell	D908,358 S *	1/2021	Zhai D3/306
7,216,646 B2	5/2007	Le et al.	2002/0033657 A1	3/2002	Kim et al.
D546,101 S	7/2007	Knight	2002/0125802 A1	9/2002	Remmers
D555,943 S	11/2007	Butler et al.	2004/0174102 A1	9/2004	Chen et al.
7,406,833 B2	8/2008	Ertz et al.	2005/0167381 A1	8/2005	Fariello
7,448,508 B2	11/2008	Babucke et al.	2005/0174022 A1	8/2005	Kuttalek
D584,939 S	1/2009	Snell	2006/0022105 A1	2/2006	MacKay
D587,038 S	2/2009	Goodman et al.	2006/0152118 A1	7/2006	Lee
D616,680 S	6/2010	Snider	2006/0260353 A1	11/2006	Uihlein et al.
7,802,709 B1	9/2010	Lewis et al.	2007/0235401 A1	10/2007	Costa et al.
D629,673 S	12/2010	Shaha et al.	2008/0054772 A1	3/2008	Koloff et al.
7,950,754 B2	5/2011	Brown et al.	2009/0200906 A1	8/2009	Dao
8,028,844 B2	10/2011	Costa et al.	2009/0211997 A1	8/2009	Sparkowski
D650,175 S	12/2011	Lee	2010/0213805 A1	8/2010	Brown et al.
8,117,719 B1	2/2012	O'Brien	2010/0282935 A1	11/2010	Zannoni
D657,658 S	4/2012	Jones	2012/0093445 A1	4/2012	Haxton
8,210,371 B2	7/2012	Kim	2012/0139402 A1	6/2012	Haidar et al.
8,297,726 B2	10/2012	Ramm et al.	2012/0146476 A1	6/2012	Tibbe
8,333,447 B2	12/2012	Moody	2013/0093306 A1	4/2013	Shin
D675,466 S	2/2013	Goodman et al.	2013/0140394 A1	6/2013	Cheng
D675,850 S	2/2013	Tawil	2013/0256250 A1	10/2013	Hirsh
D677,056 S	3/2013	Hu	2014/0283814 A1	9/2014	Armstrong
8,490,801 B2	7/2013	Smith et al.	2014/0291266 A1	10/2014	Yang
D692,666 S	11/2013	Goodman et al.	2014/0327352 A1	11/2014	Chen et al.
D698,186 S	1/2014	Funchess	2015/0173588 A1	6/2015	Bhajak et al.
8,671,712 B2	3/2014	Noel et al.	2015/0208801 A1	7/2015	Hu
8,695,913 B2	4/2014	Cheng	2015/0208802 A1	7/2015	Yoneda
8,746,470 B2	6/2014	Reinbigler et al.	2016/0144999 A1	5/2016	Tang
			2017/0000260 A1	1/2017	Hashemi et al.
			2020/0148359 A1 *	5/2020	Smith B63C 9/01

* cited by examiner

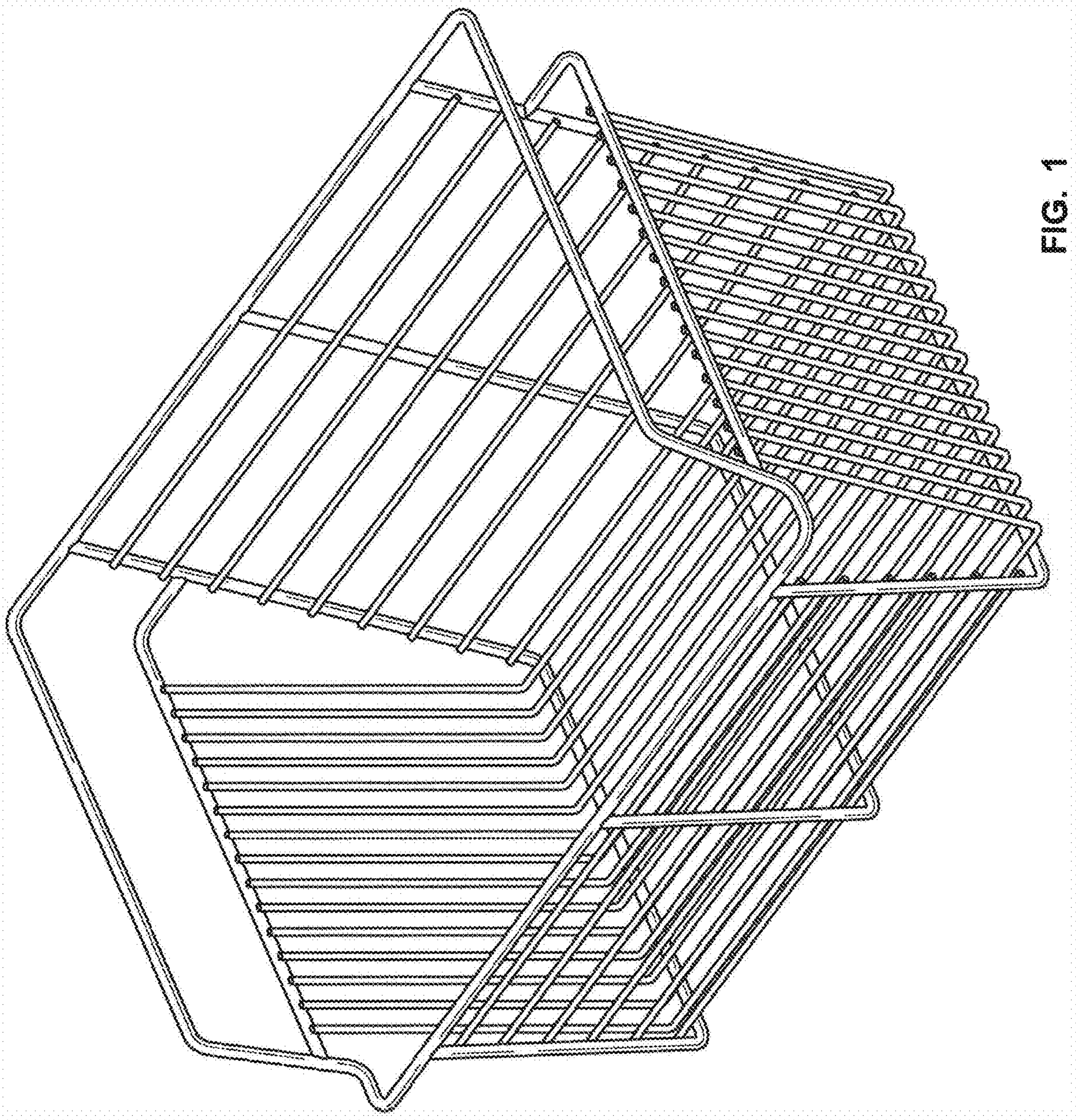


FIG. 1

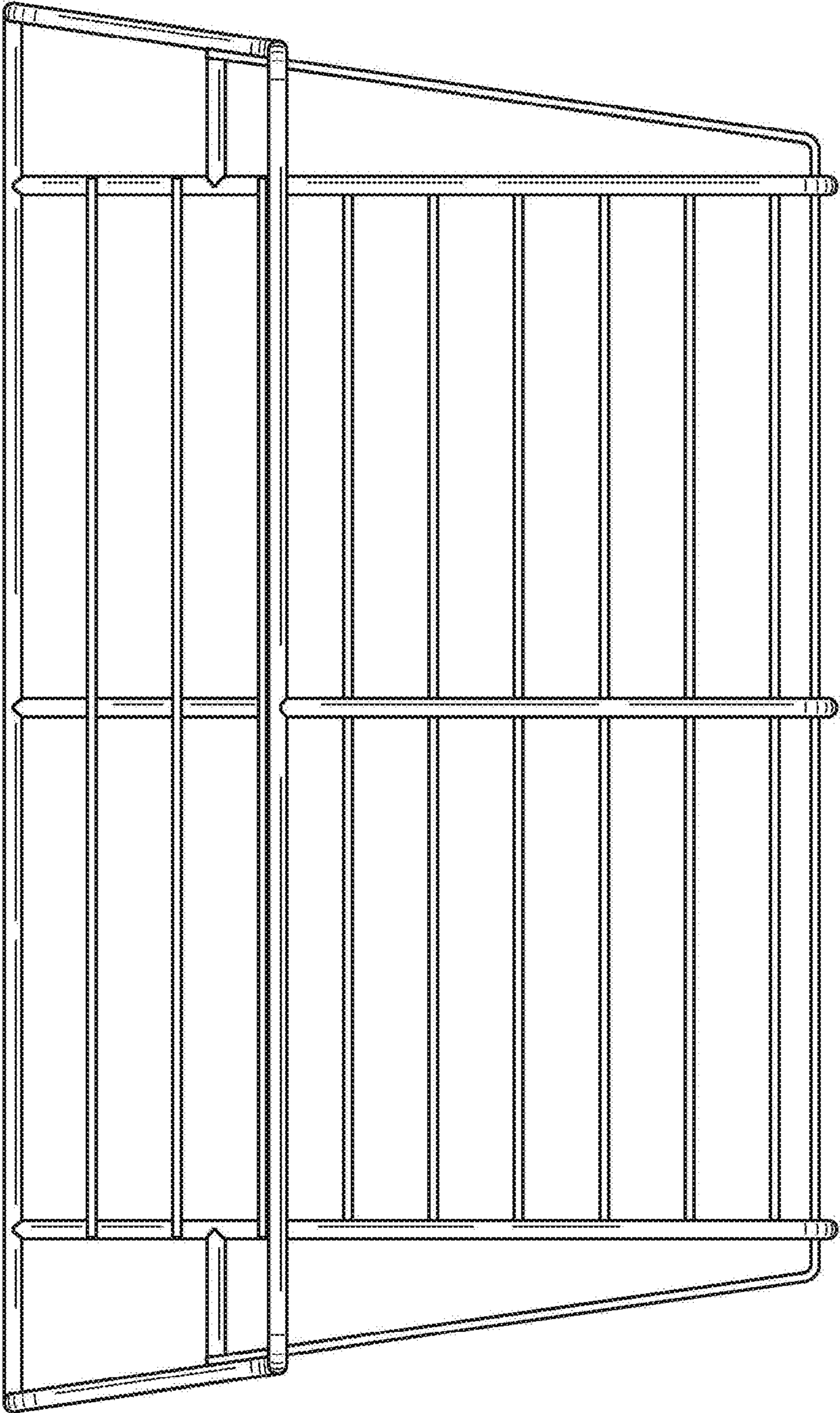


FIG. 2

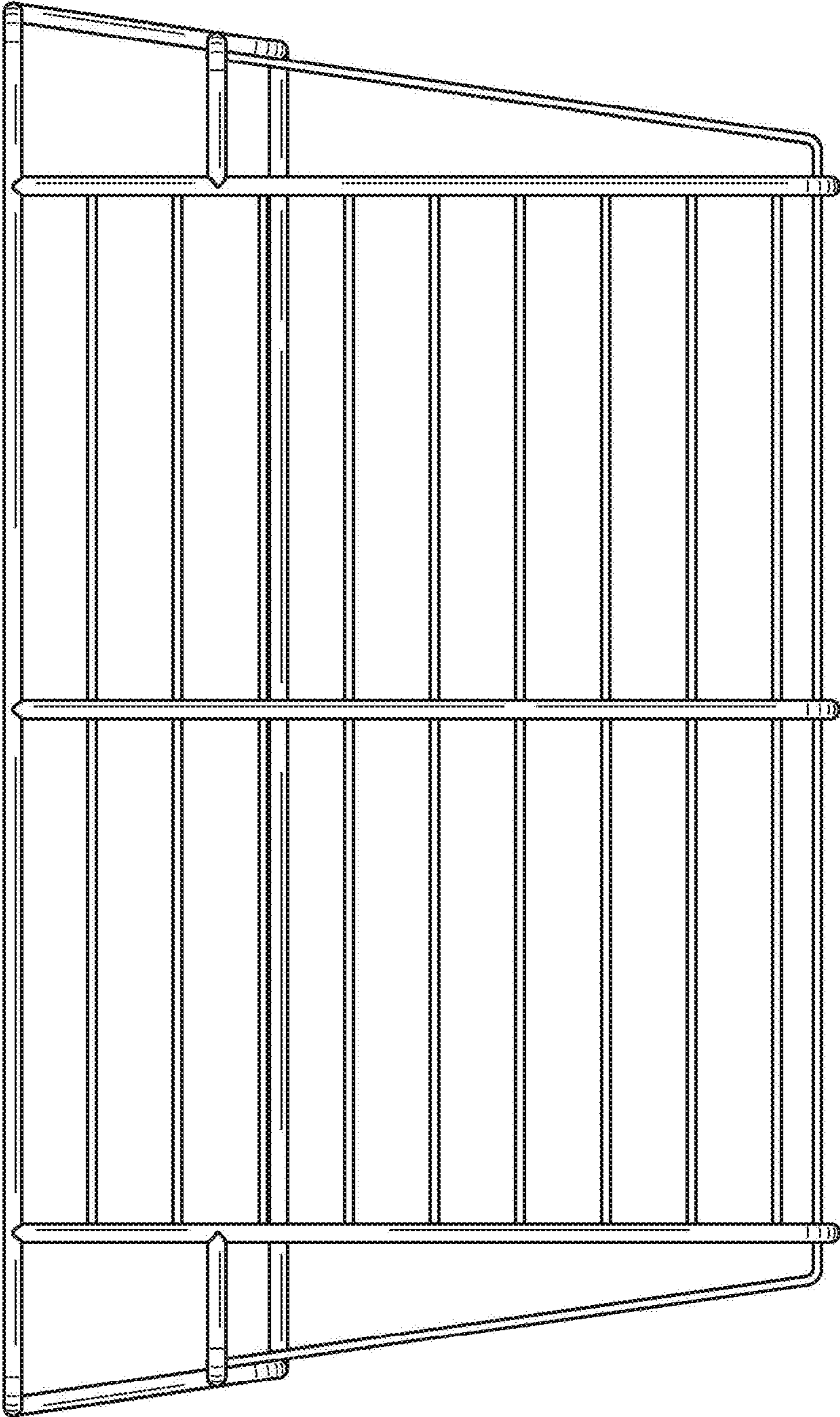


FIG. 3

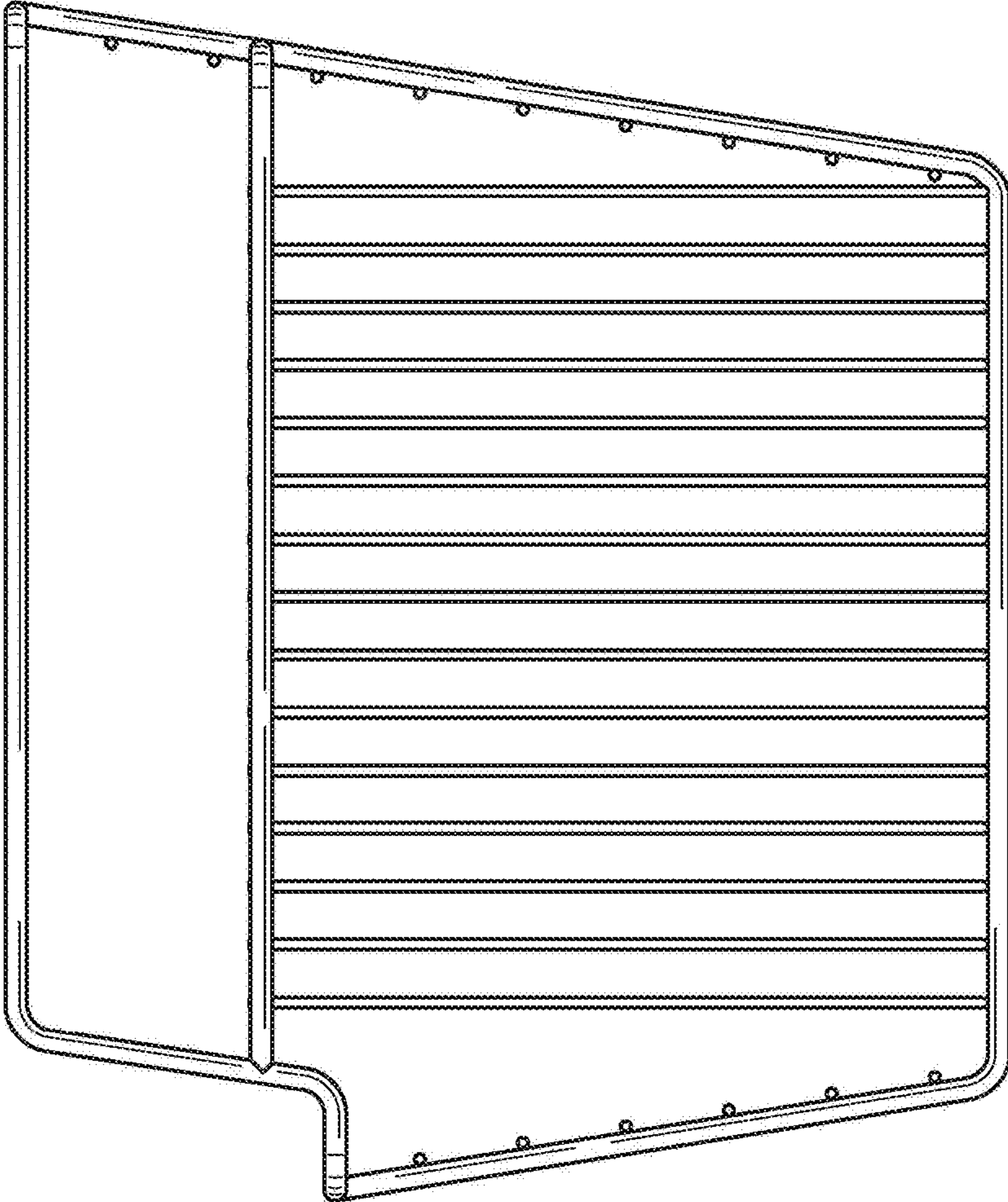


FIG. 4

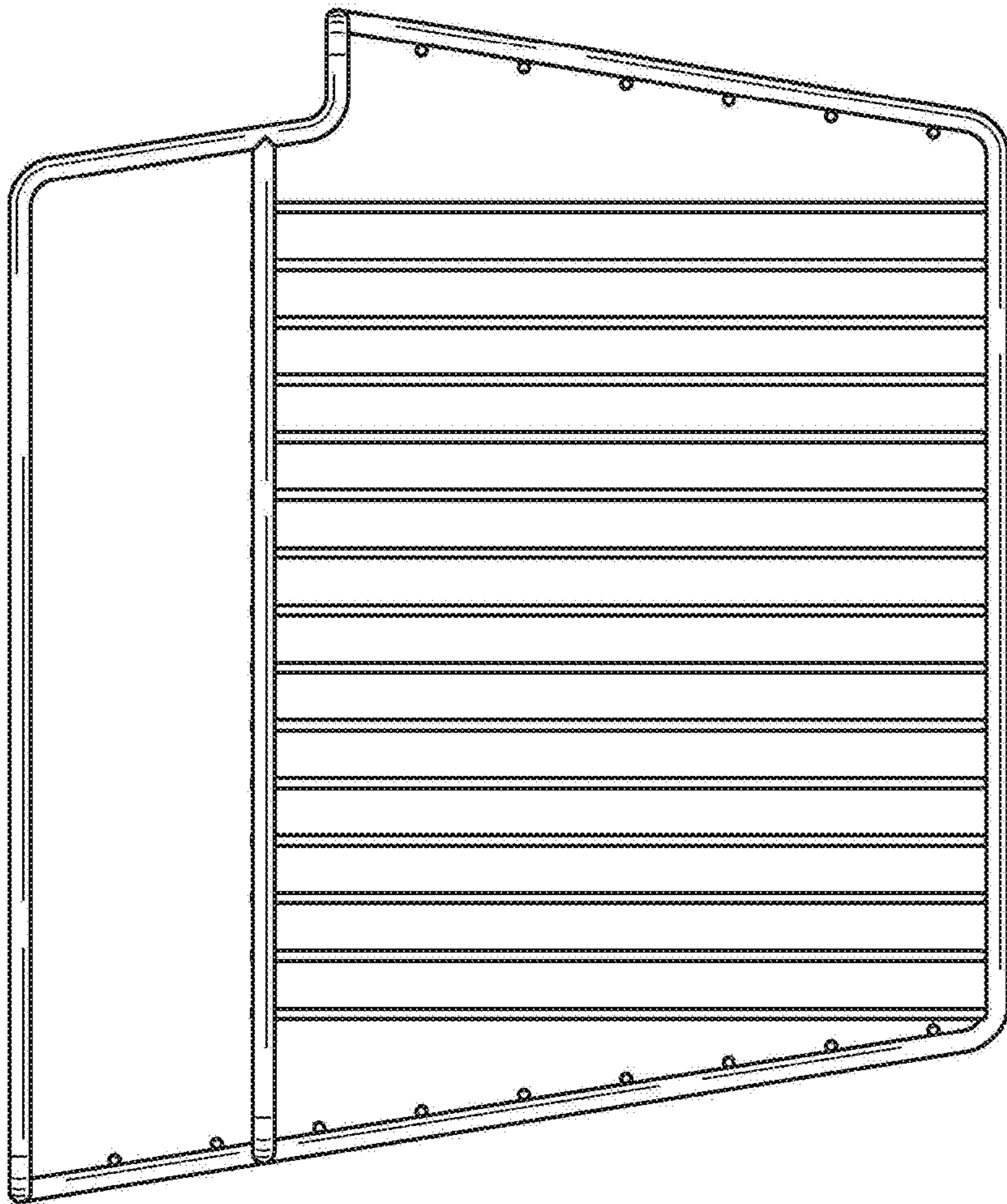


FIG. 5

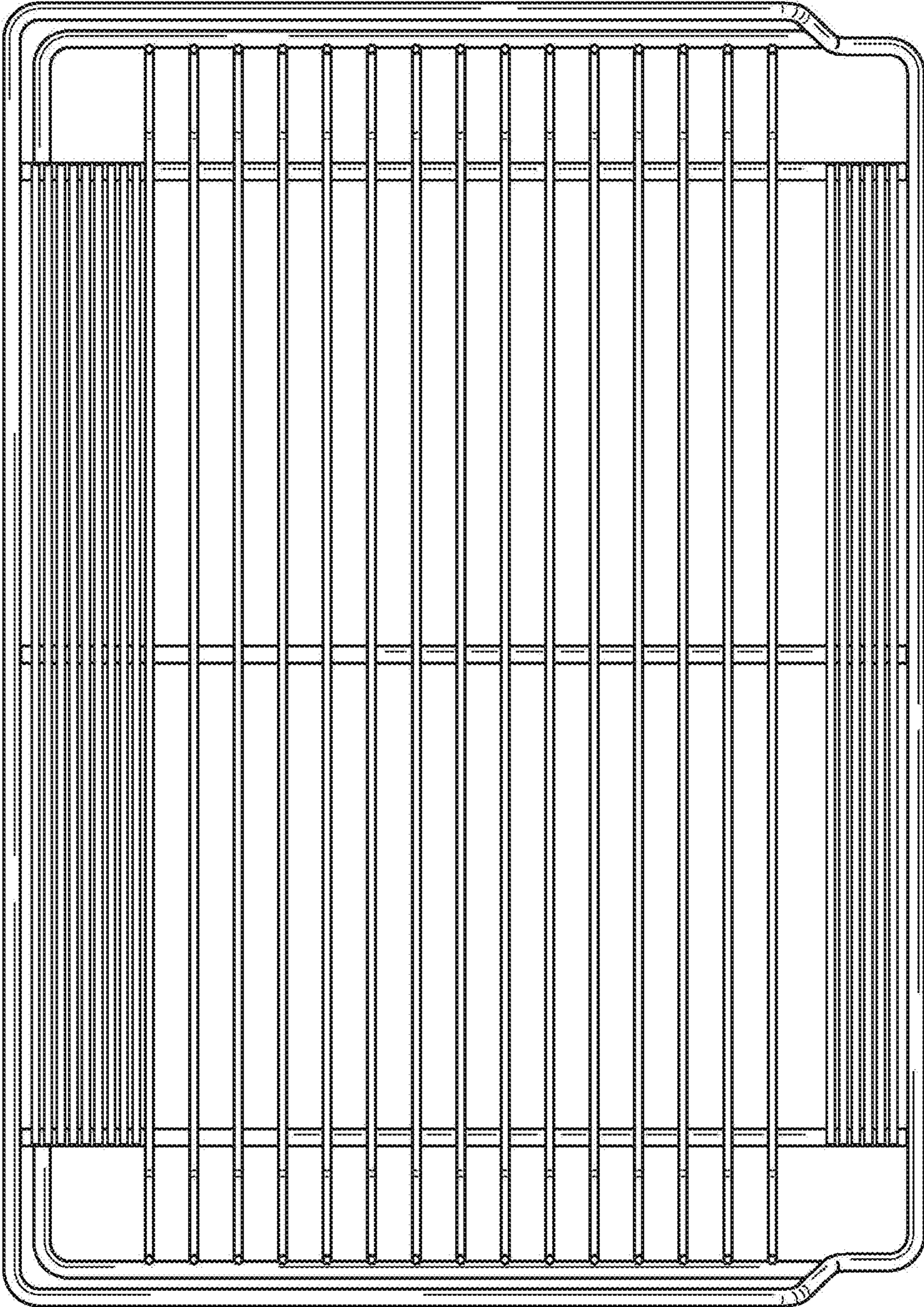


FIG. 6

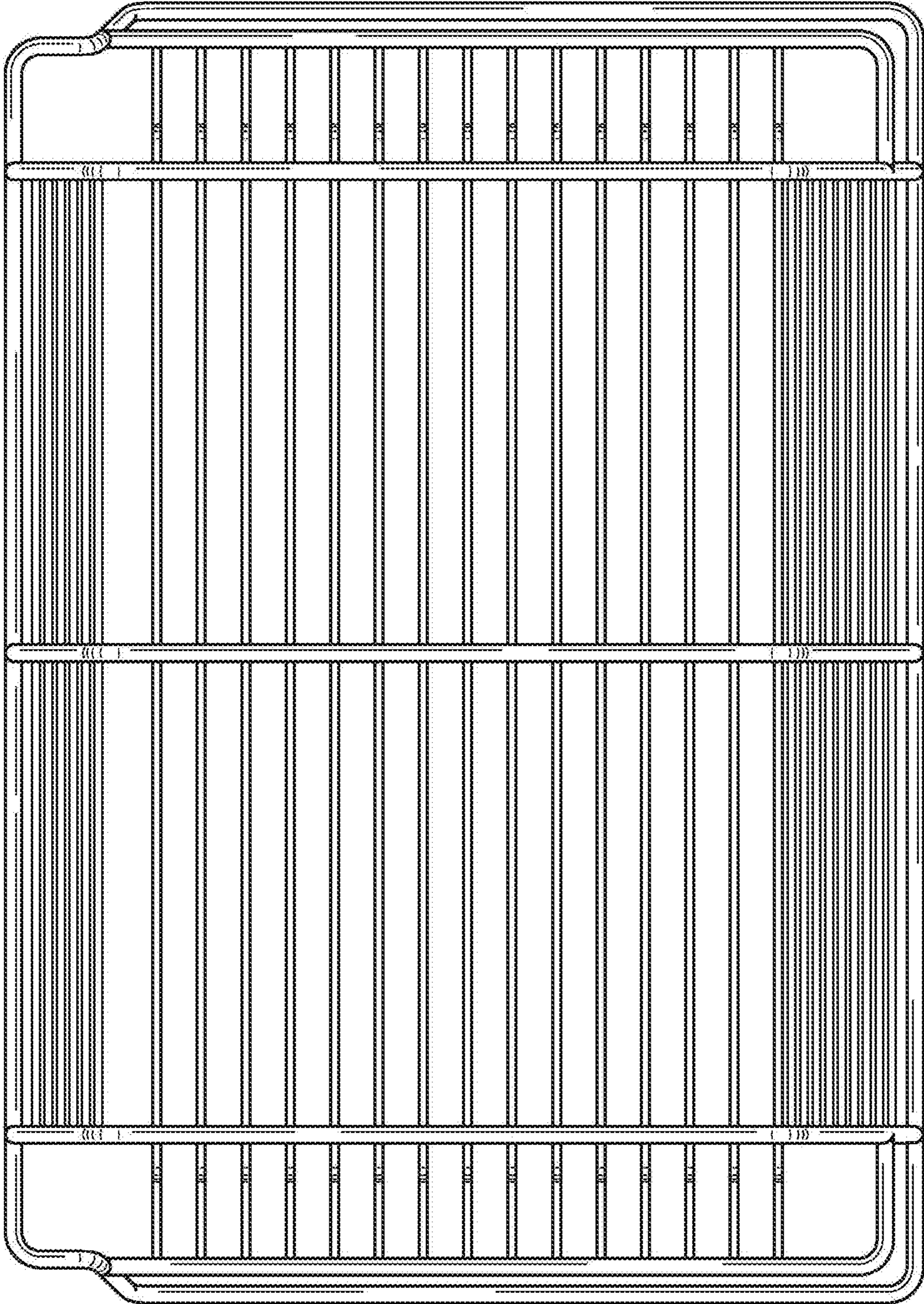


FIG. 7

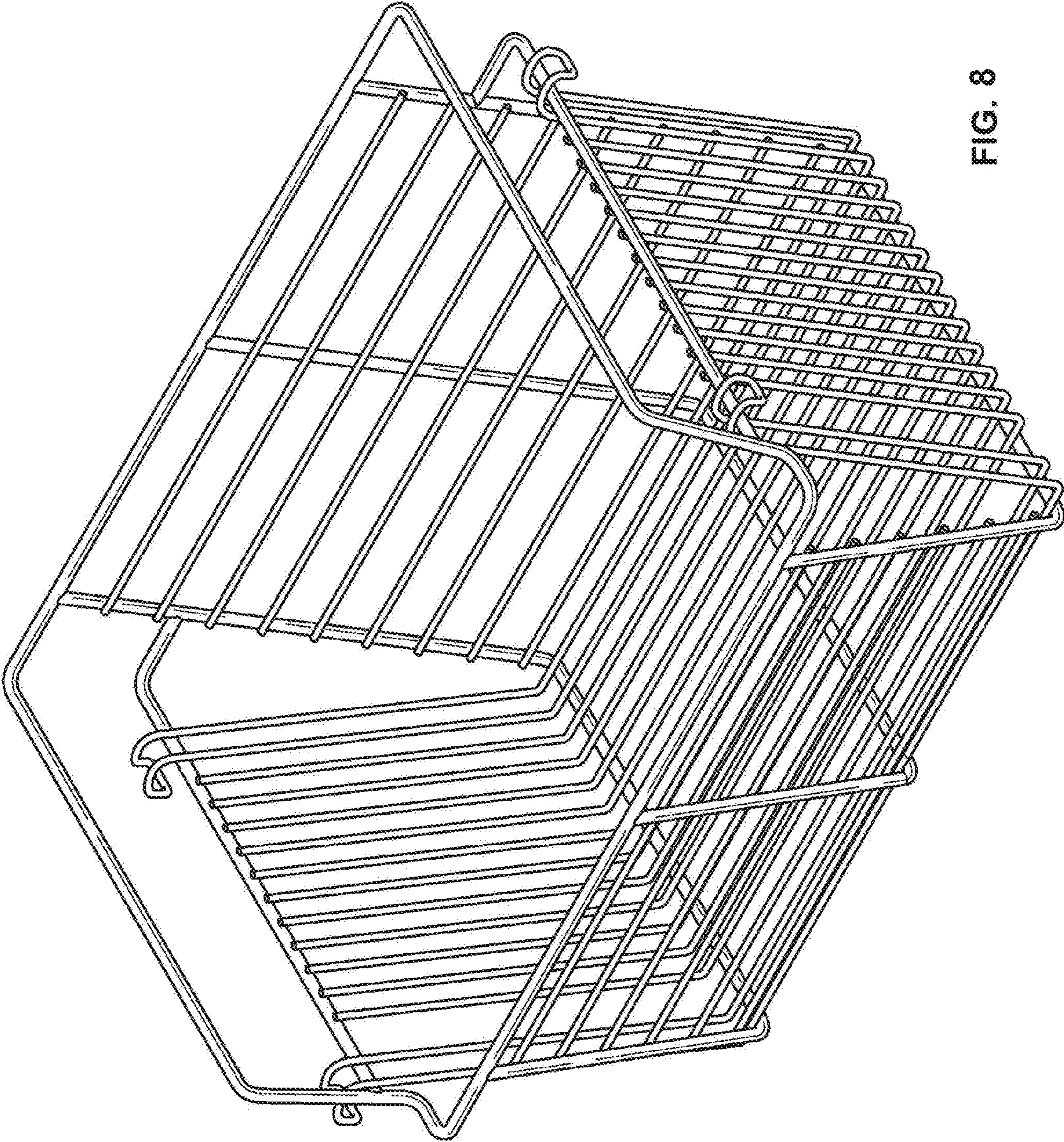


FIG. 8

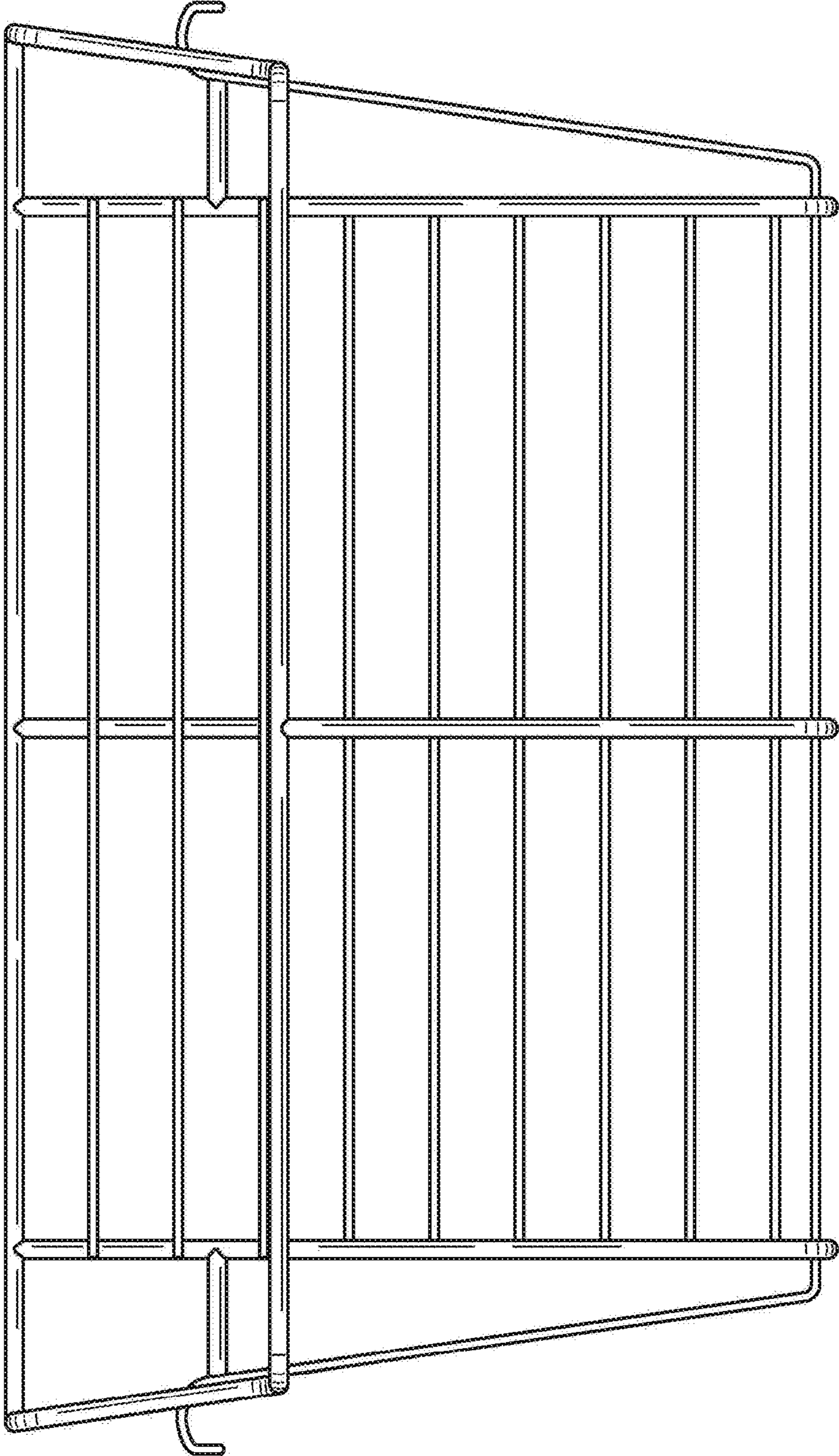


FIG. 9

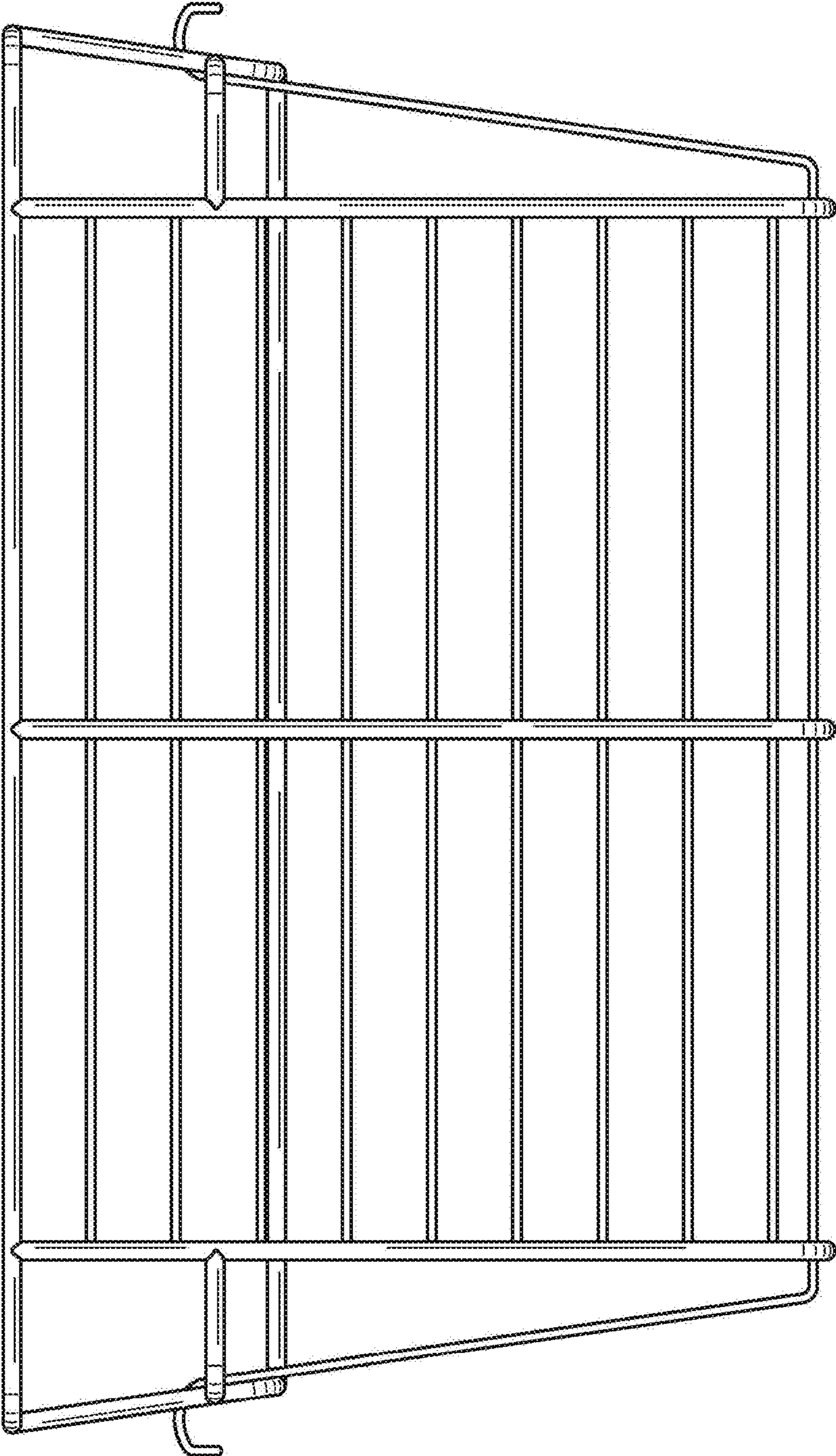


FIG. 10

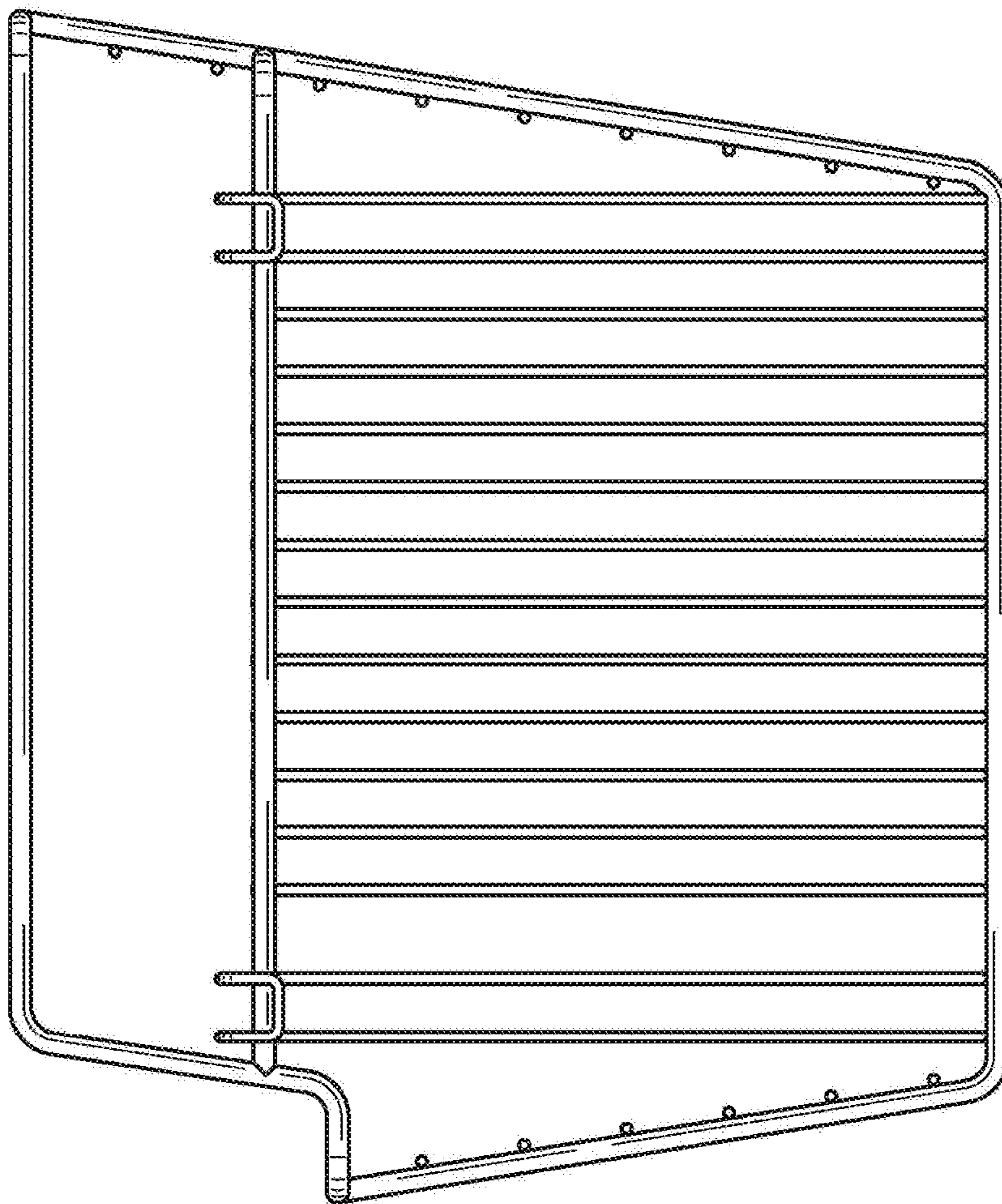


FIG. 11

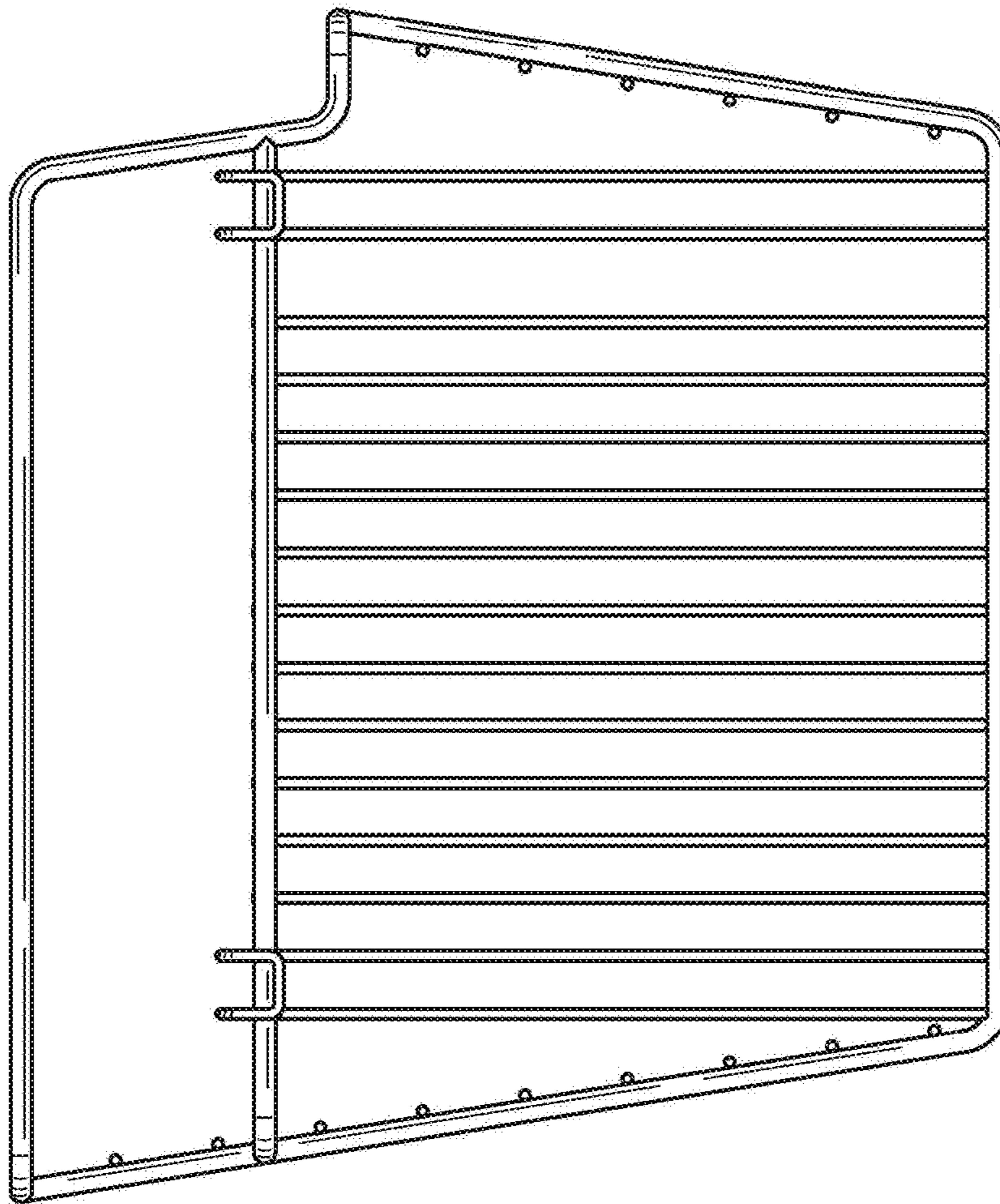


FIG. 12

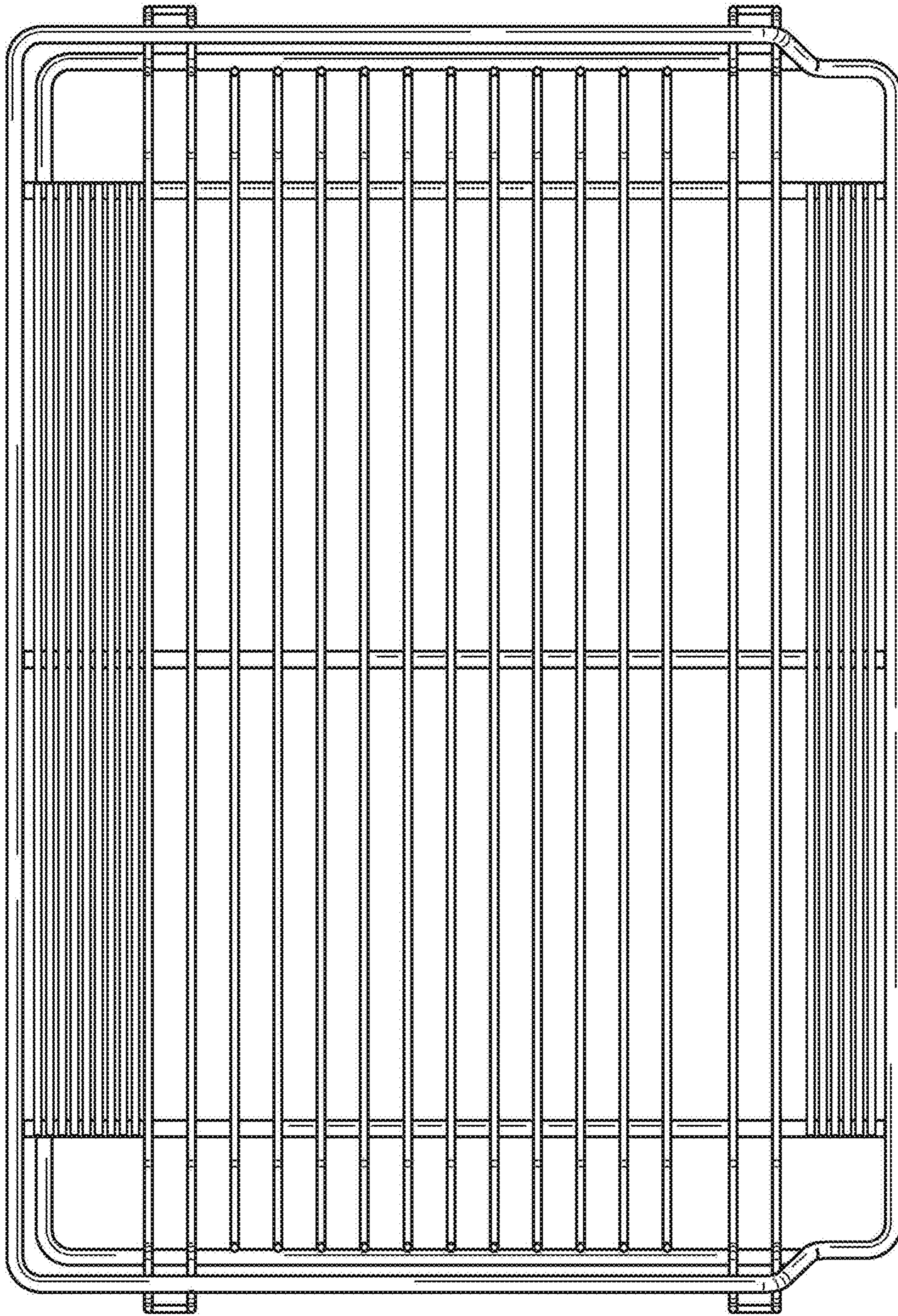


FIG. 13

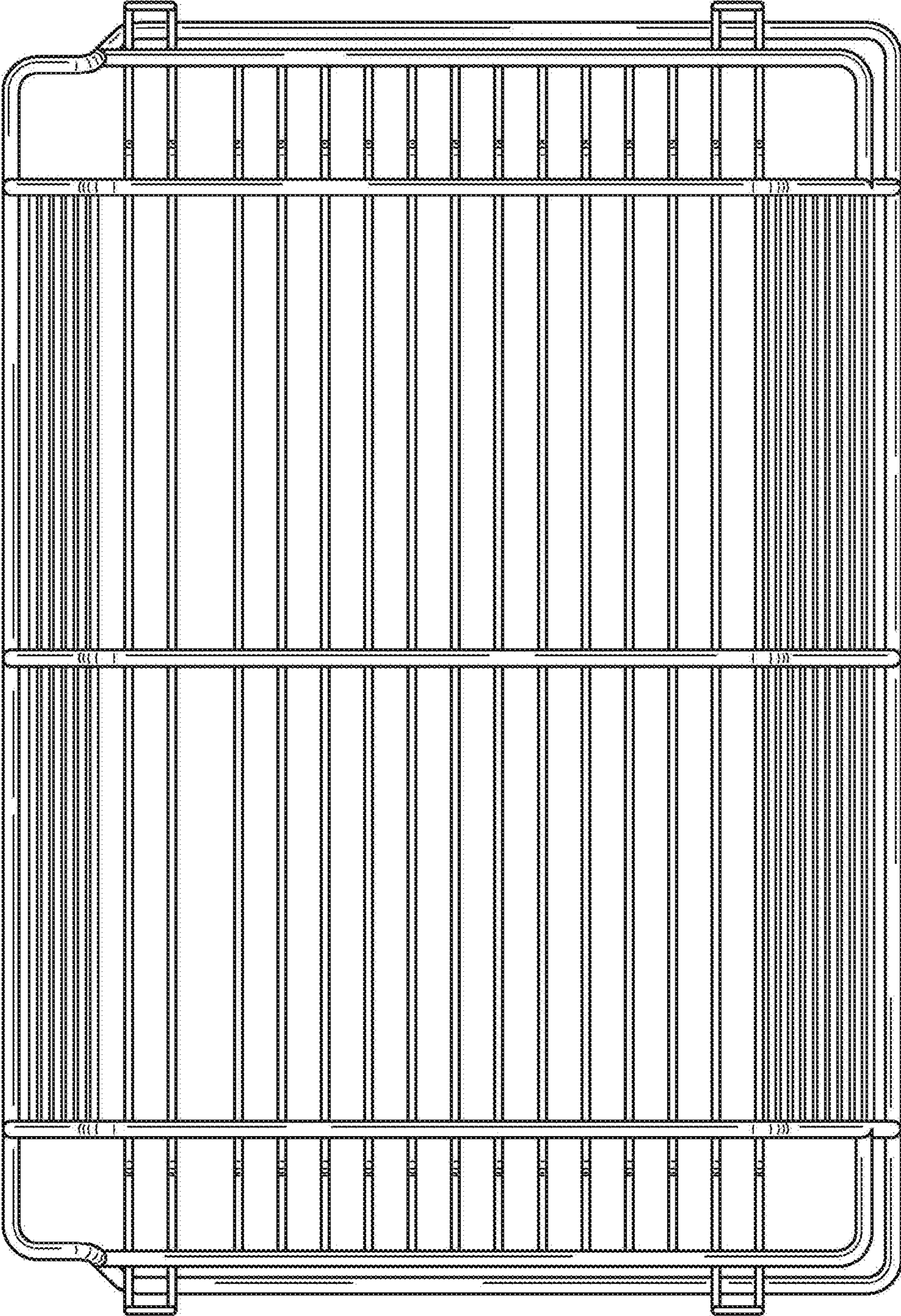


FIG. 14

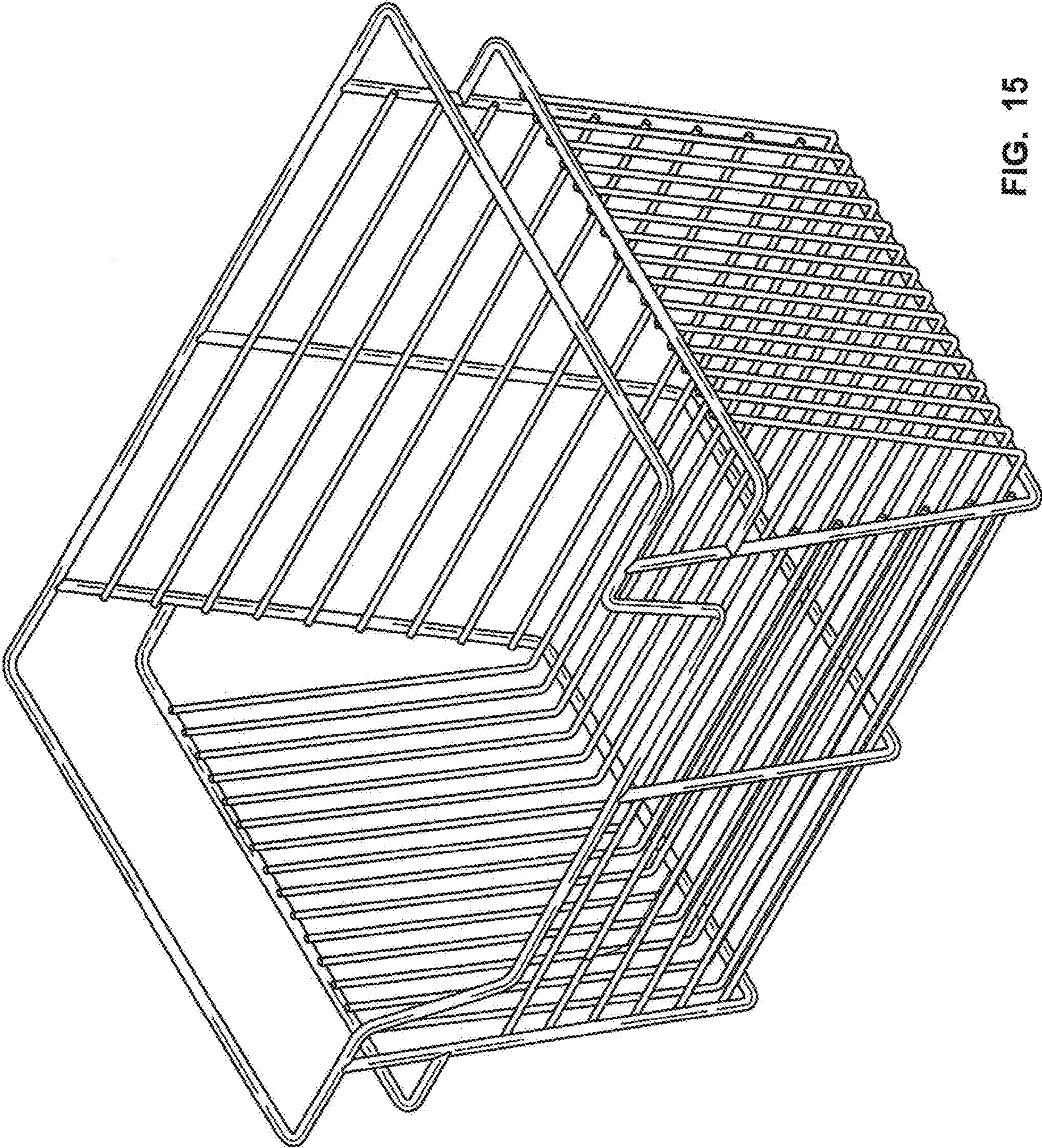


FIG. 15

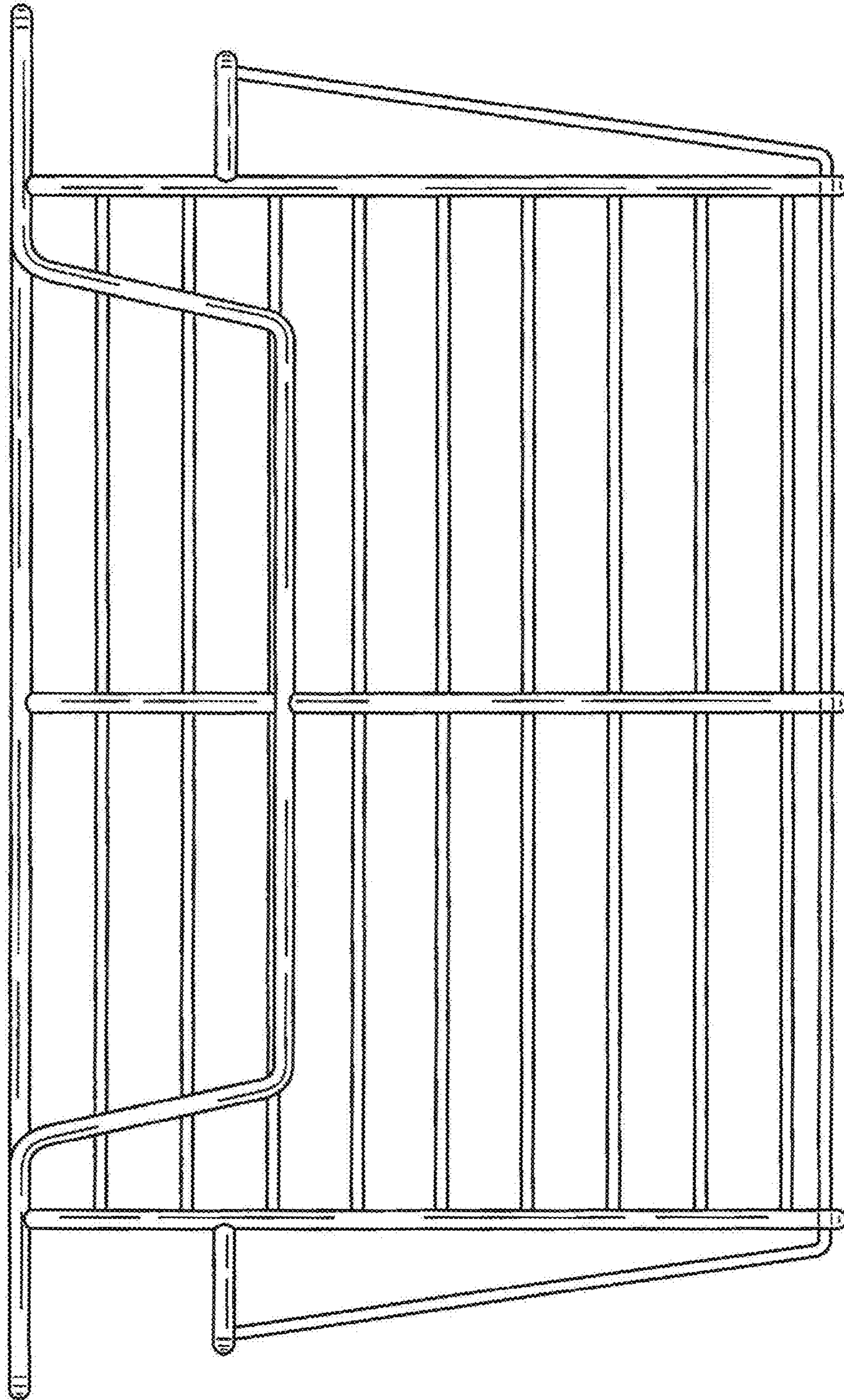


FIG. 16