



US00D932769S

(12) **United States Design Patent**
Dittrich

(10) **Patent No.:** **US D932,769 S**
(45) **Date of Patent:** **** Oct. 12, 2021**

(54) **BASKET**

(71) Applicant: **Spectrum Diversified Designs, LLC**,
Streetsboro, OH (US)

(72) Inventor: **Megan Dittrich**, Twinsburg, OH (US)

(73) Assignee: **SPECTRUM DIVERSIFIED**
DESIGNS, LLC, Streetsboro, OH (US)

(**) Term: **15 Years**

(21) Appl. No.: **29/710,115**

(22) Filed: **Oct. 21, 2019**

(51) **LOC (13) Cl.** **09-04**

(52) **U.S. Cl.**
USPC **D3/306**

(58) **Field of Classification Search**
USPC D3/212, 272-274, 276-277, 294,
D3/304-314; D21/488
CPC D06F 95/002; A47B 2210/0024; A47B
2088/401; A47B 47/0033
See application file for complete search history.

(56) **References Cited**

U.S. PATENT DOCUMENTS

3,144,161 A *	8/1964	Glenny	B65D 7/14 220/491
4,403,701 A *	9/1983	Corcoran	A47B 87/02 211/133.1
D431,907 S *	10/2000	Andujar	B65D 37/00 D19/75

OTHER PUBLICATIONS

Spectrum Diversified Macklin, Stamped Steel & Wire Basket,
announced Aug. 16, 2016 [online], [site visited Aug. 10, 2021].

Available from internet, URL: <https://www.amazon.ca/Spectrum-Diversified-Macklin-Medium-Storage/dp/B01C6UI148?ref_=ast_sto_dp&th=1> (Year: 2016).*
Pib Large wire mesh basket, Stamped Steel & Wire Basket, announced Jan. 27, 2016 [online], [site visited Aug. 10, 2021]. Available from internet, URL: <<https://www.pib-home.co.uk/decorative-accessories/boxes-and-baskets/large-wire-mesh-basket=0020684>> (Year: 2016).*
Macklin Bones Medium Basket, Spectrum Diversified website, <https://www.spectrumdiversified.com/products/macklin-bones-medium-basket/>, dated Oct. 4, 2019, 1 page.

* cited by examiner

Primary Examiner — Kevin K Rudzinski

Assistant Examiner — Amber J Rabie

(74) *Attorney, Agent, or Firm* — Tucker Ellis LLP

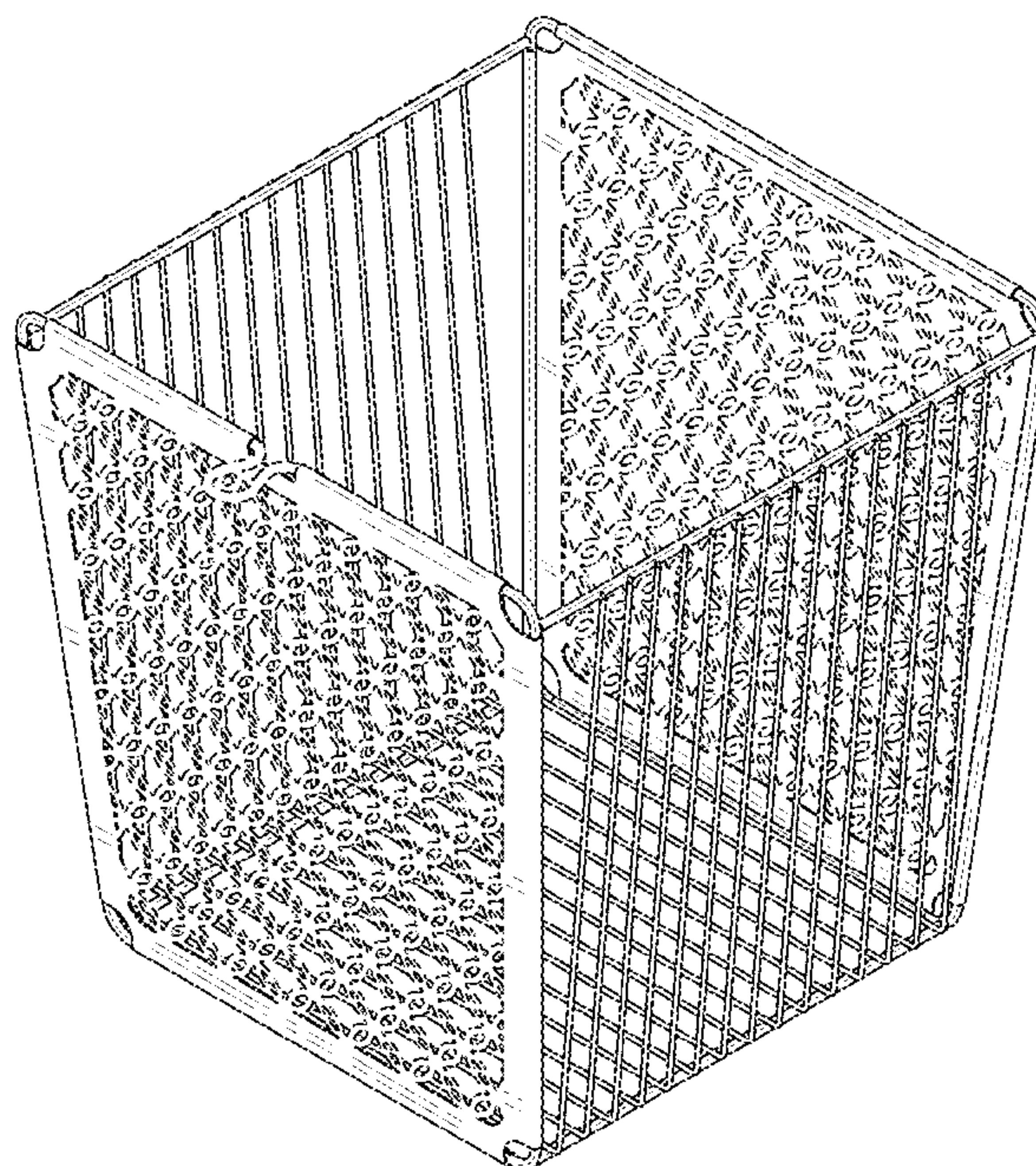
(57) **CLAIM**

The ornamental design for a basket, as shown and described.

DESCRIPTION

FIG. 1 is a perspective view of a basket showing my new design.
FIG. 2 is a front view thereof.
FIG. 3 is a rear view thereof.
FIG. 4 is a left side view thereof
FIG. 5 is a right side view thereof.
FIG. 6 is a top view thereof; and,
FIG. 7 is a bottom view of thereof.
The broken lines show portions of the design that form no part of the claimed design.

1 Claim, 7 Drawing Sheets



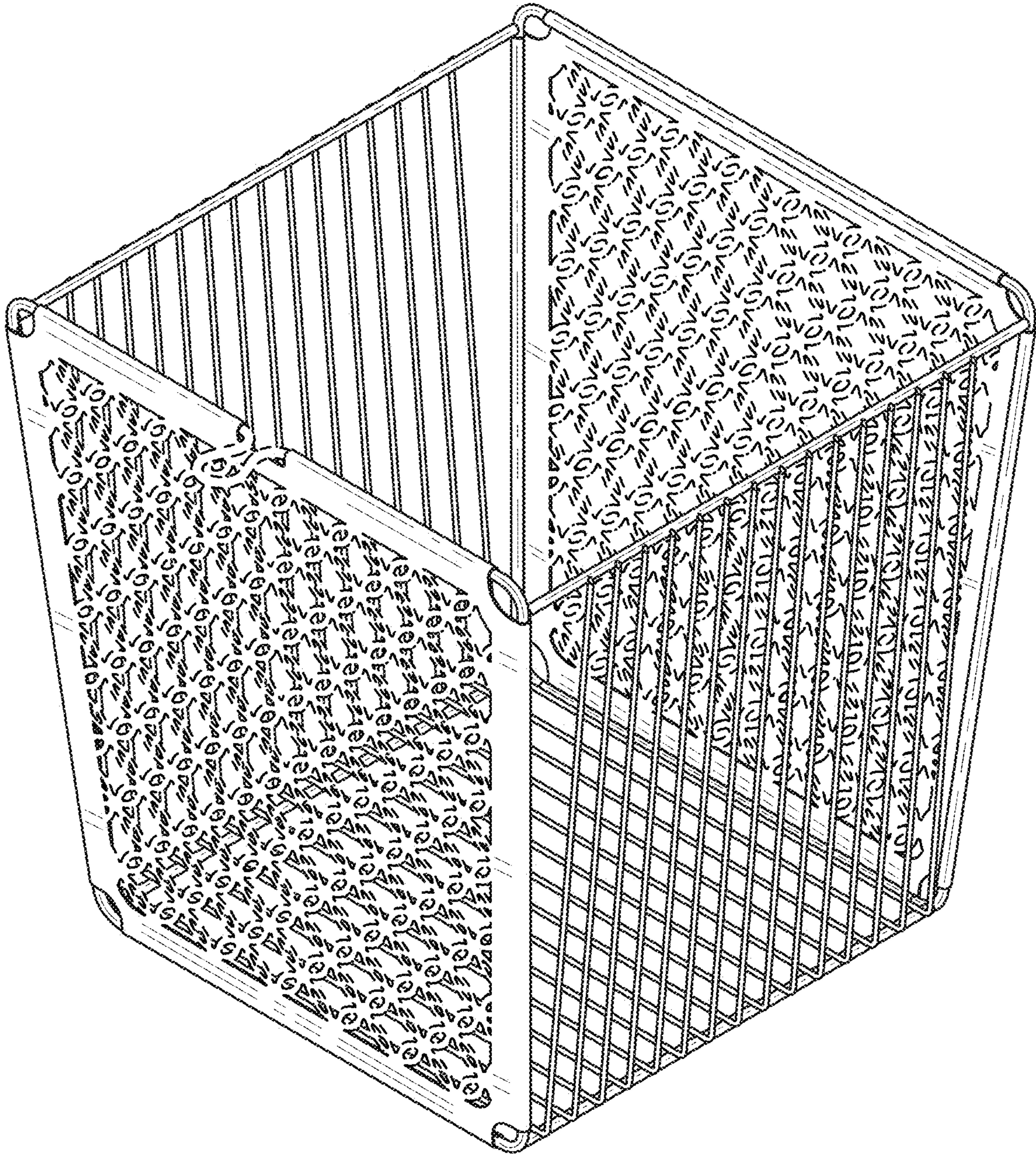


FIG. 1

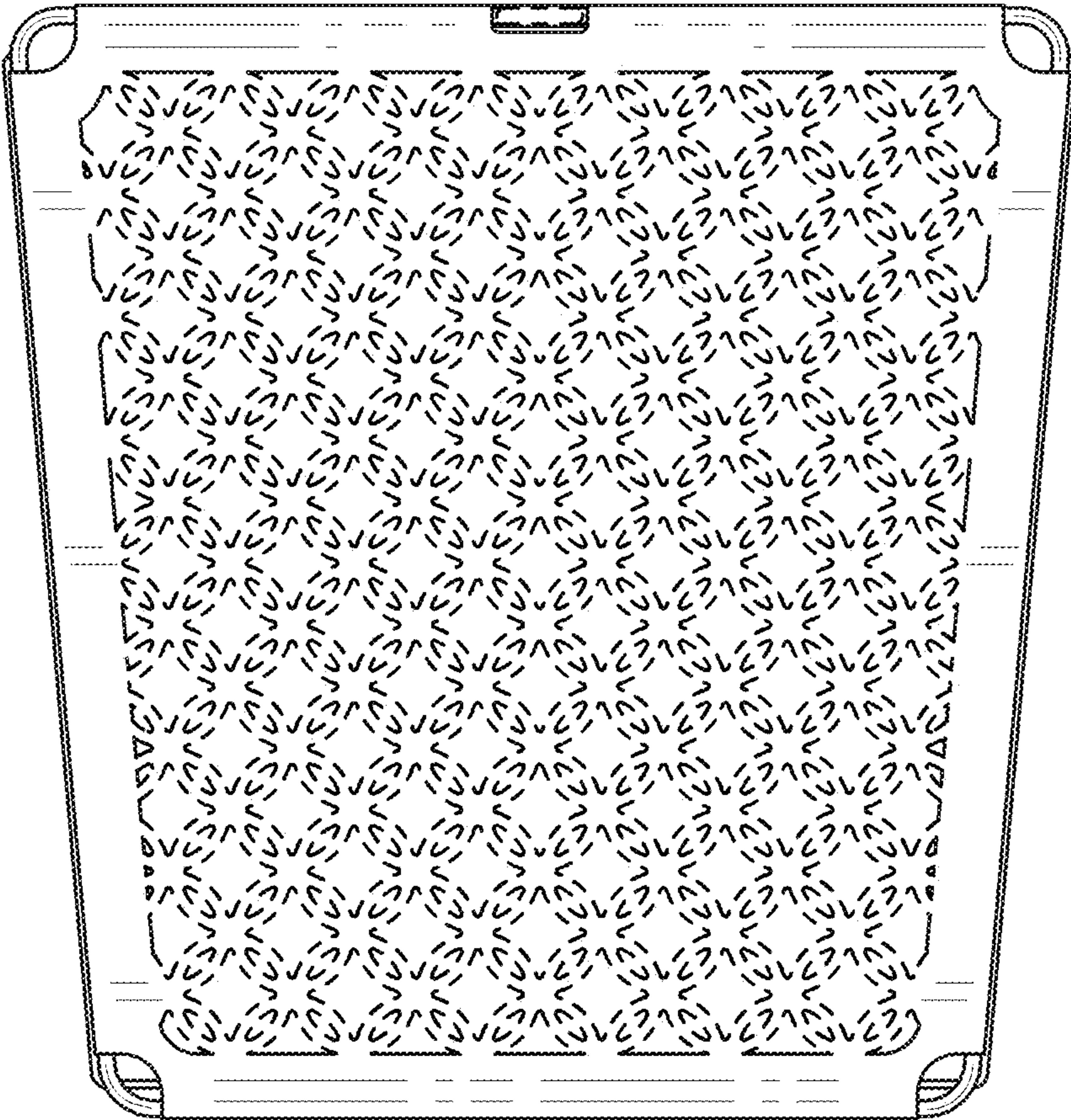


FIG. 2

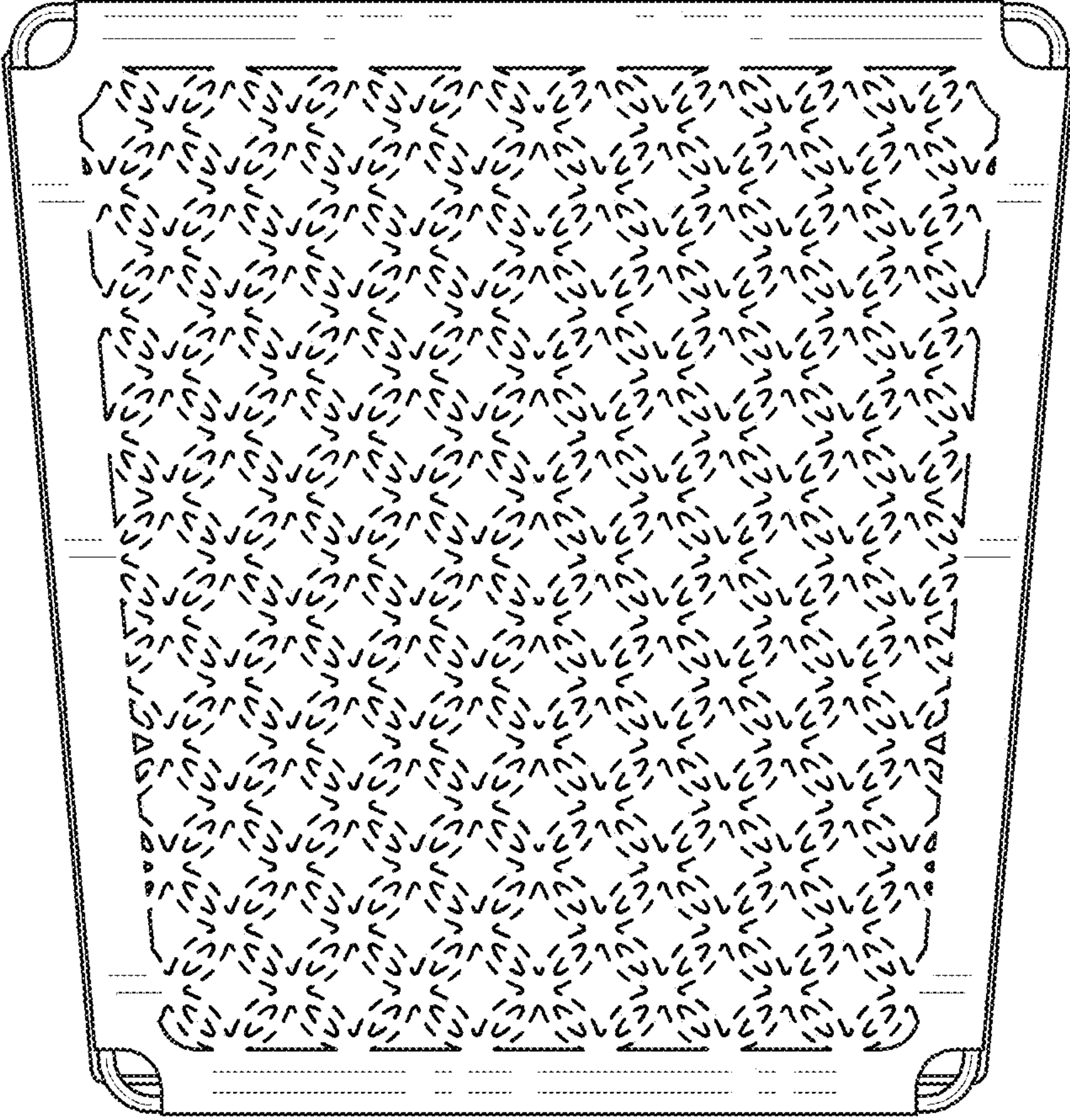


FIG. 3

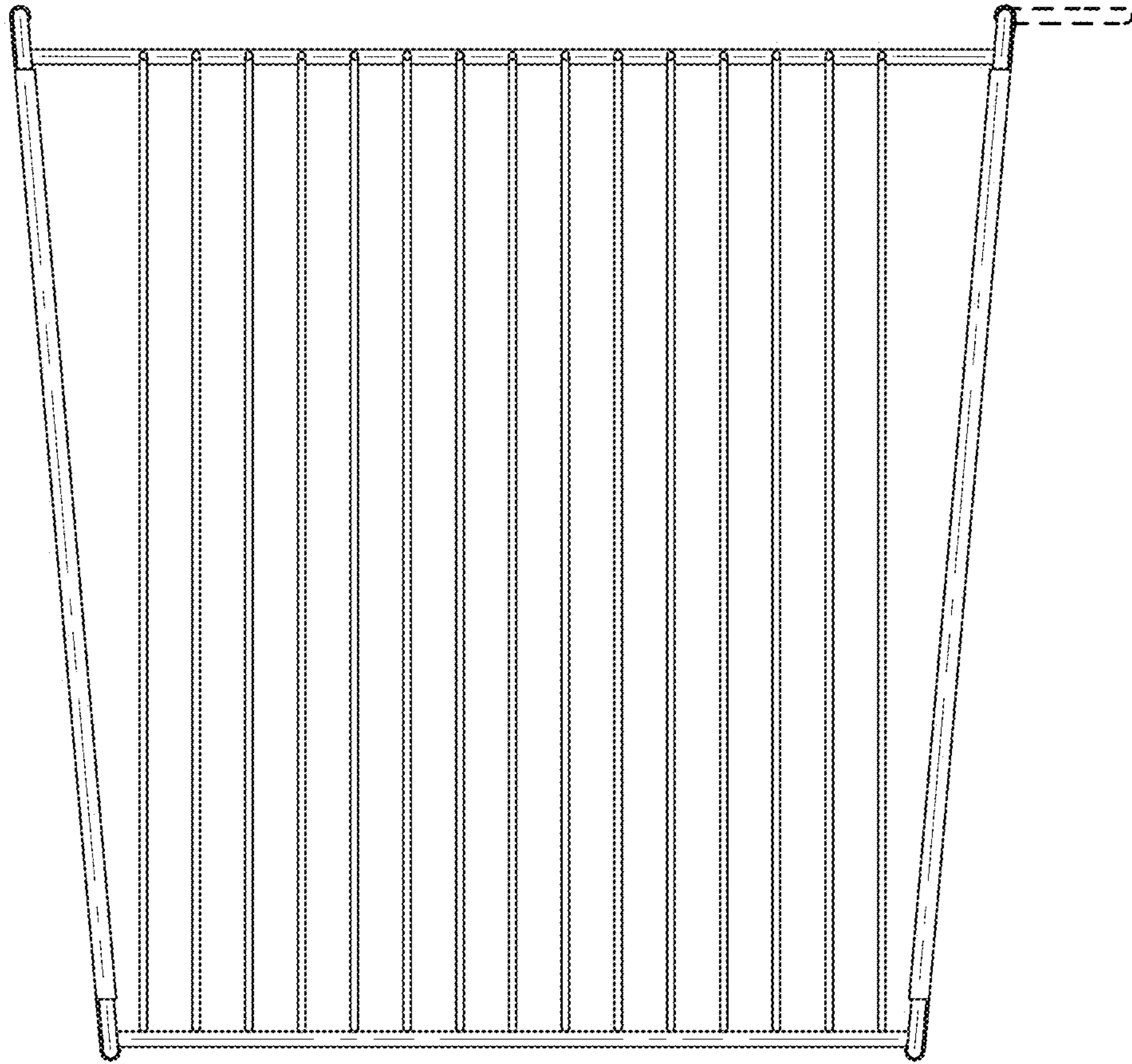


FIG. 4

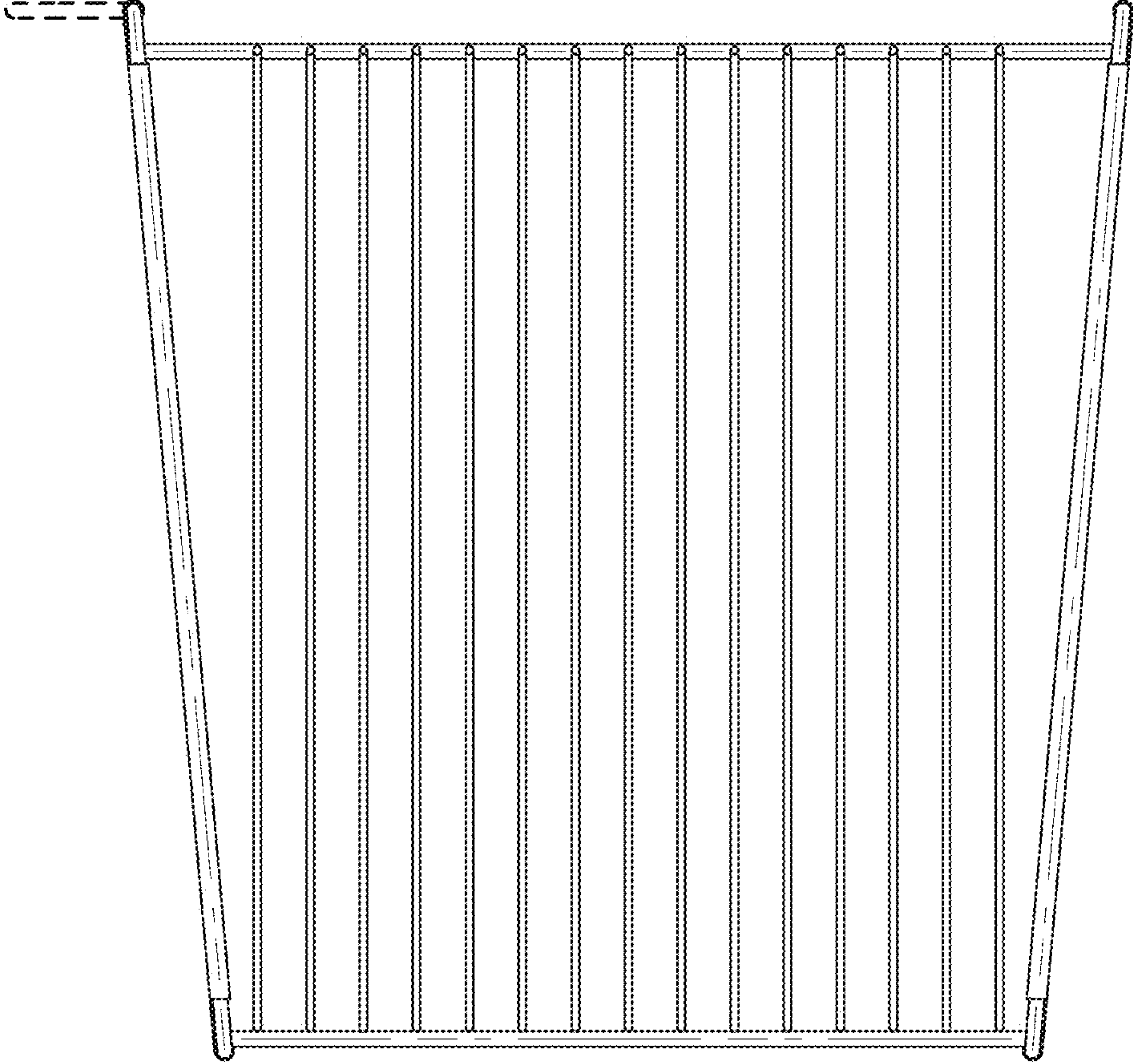


FIG. 5

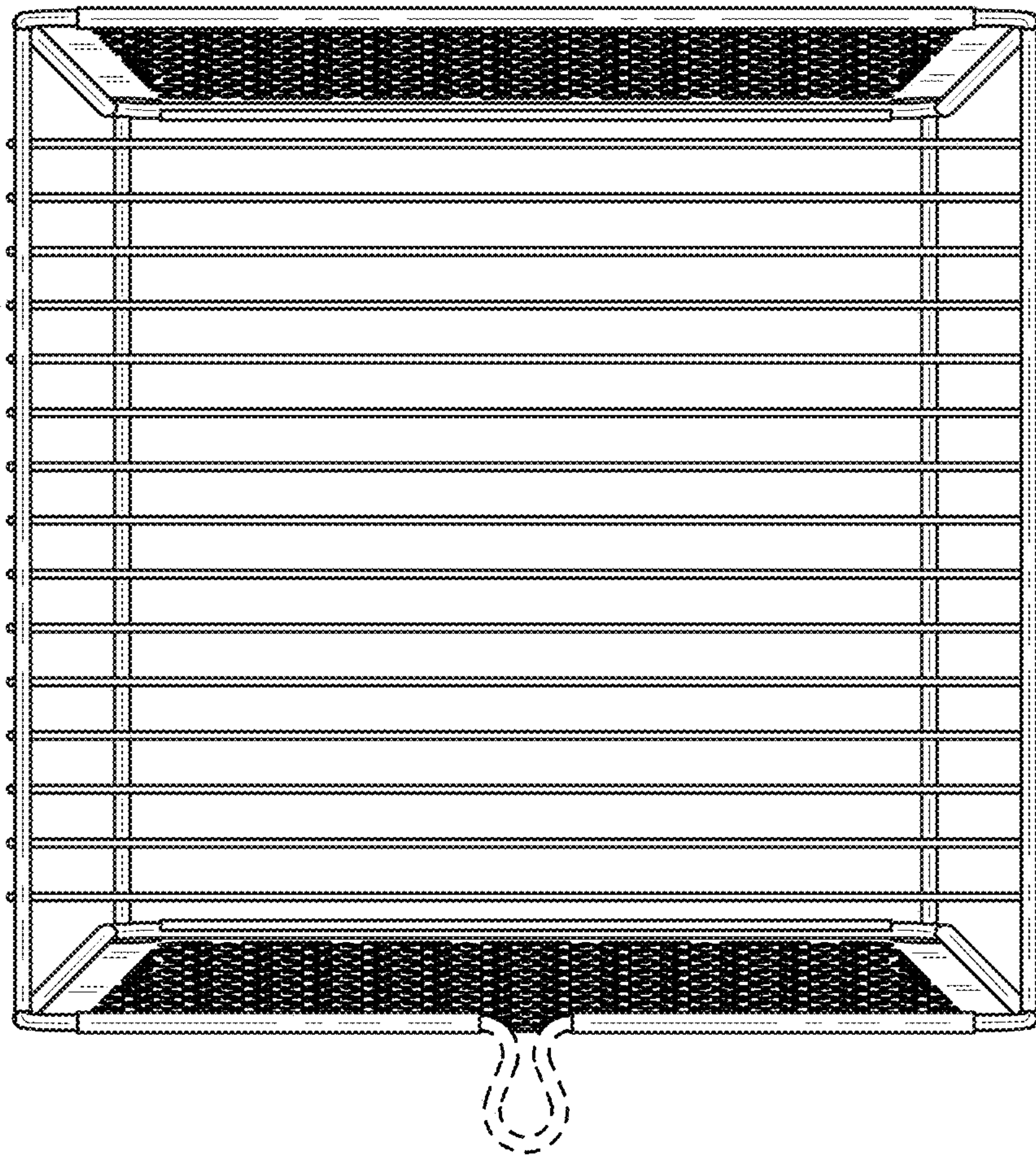


FIG. 6

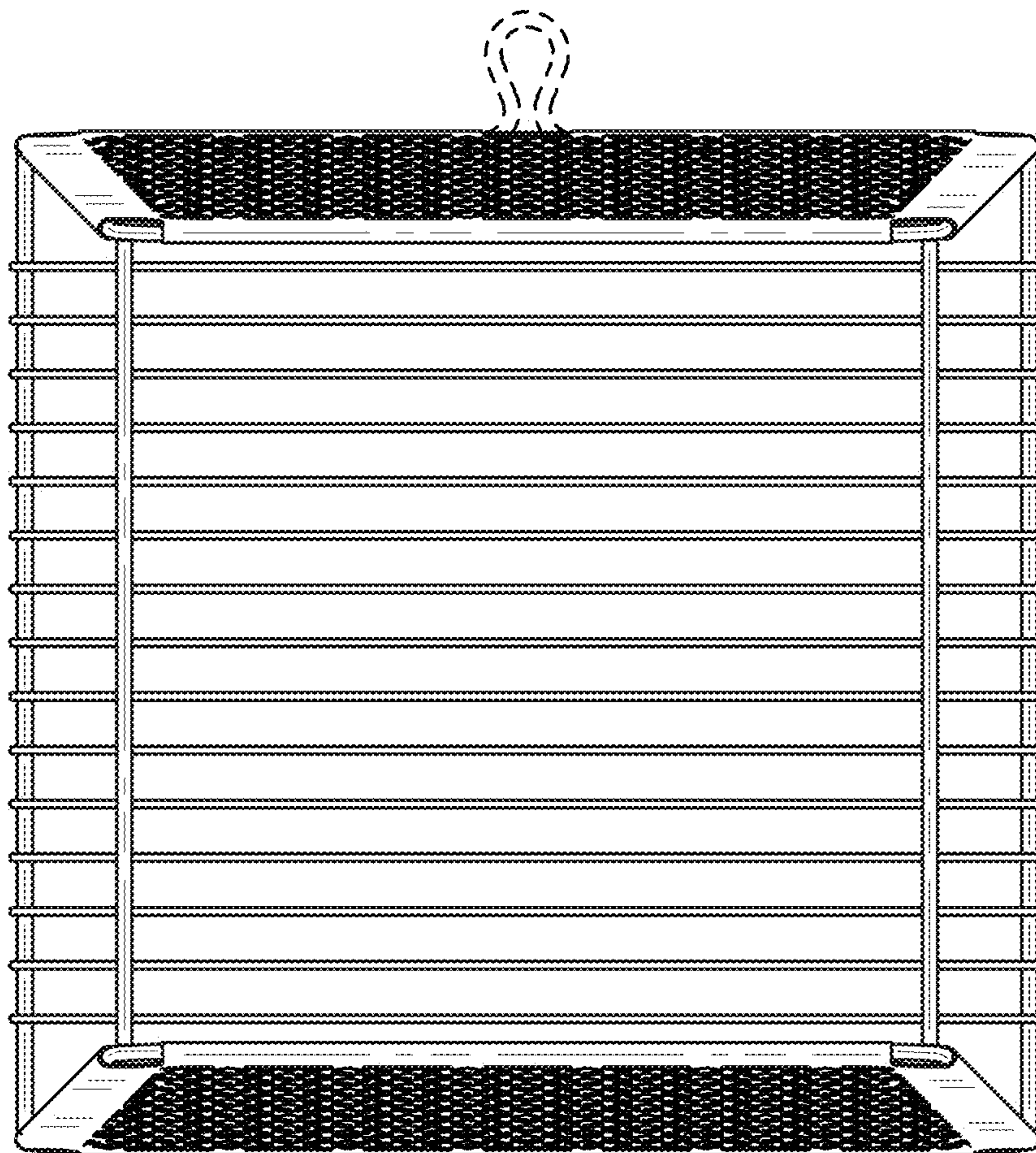


FIG. 7