



US00D932766S

(12) **United States Design Patent** (10) **Patent No.:** **US D932,766 S**
Xu (45) **Date of Patent:** **** Oct. 12, 2021**

(54) **PILL ORGANIZER**
(71) Applicant: **SHENZHEN LAIYING TECHNOLOGY CO., LTD**, Shenzhen (CN)
(72) Inventor: **Shaoxi Xu**, Shenzhen (CN)
(73) Assignee: **SHENZHEN LAIYING TECHNOLOGY CO., LTD**, Shenzhen (CN)

D349,238 S * 8/1994 Haber D24/226
5,370,255 A * 12/1994 Yang A45C 7/00
220/4.22
D358,030 S * 5/1995 Ying D3/284
5,671,856 A * 9/1997 Lisch A01K 97/06
206/519
6,041,935 A * 3/2000 Yang A45C 11/00
206/509
6,223,921 B1 * 5/2001 Huang A45C 11/24
132/295
D444,702 S * 7/2001 Castleberry, II D9/746
D474,021 S * 5/2003 Lenaerts D3/273
(Continued)

(**) Term: **15 Years**

OTHER PUBLICATIONS

(21) Appl. No.: **29/765,763**
(22) Filed: **Jan. 11, 2021**
(51) **LOC (13) Cl.** **03-01**
(52) **U.S. Cl.**
USPC **D3/203.2**
(58) **Field of Classification Search**
USPC D3/201, 203.1–203.8; D9/420, 421, 422,
D9/756
CPC B65D 83/0481; B65D 83/04; B65D 1/36;
B65D 83/0445; B65D 2583/04; A61J
1/00; A61J 1/03; A61J 7/04
See application file for complete search history.

Zannaki Metal Moisture Proof Weekly Pill Organizer, amazon.com, <https://www.amazon.com/Zannaki-Detachable-Waterproof-Supplements-Medication/dp/B07YFQ8R6Z> (Year: 2020).*
(Continued)

Primary Examiner — Steven J Cxyz
(74) *Attorney, Agent, or Firm* — ScienBiziP, P.C.

(57) **CLAIM**

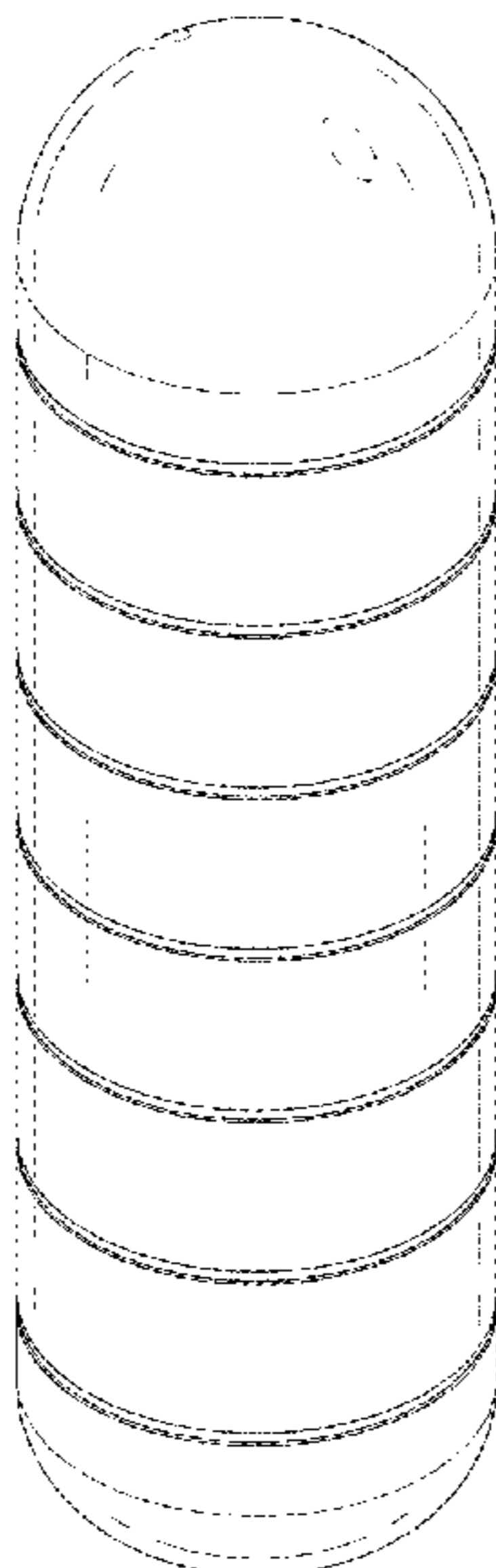
The ornamental design for a pill organizer, as shown and described.

DESCRIPTION

(56) **References Cited**
U.S. PATENT DOCUMENTS
3,188,157 A * 6/1965 Rand A45D 33/00
312/202
3,567,085 A * 3/1971 Flores A61J 1/03
224/604
D225,513 S * 12/1972 Waag et al. D3/284
4,239,308 A * 12/1980 Bradley A45C 11/16
312/201
4,616,752 A * 10/1986 Ridgley A61J 1/03
206/521
4,807,773 A * 2/1989 Tsai A45D 33/24
132/296

FIG. 1 is a front, right, and top perspective view of a pill organizer, showing my design.
FIG. 2 is a front elevation view thereof.
FIG. 3 is a rear elevation view thereof.
FIG. 4 is a left side elevation view thereof.
FIG. 5 is a right side elevation view thereof.
FIG. 6 is a top plan view thereof.
FIG. 7 is a bottom plan view thereof.
FIG. 8 is a perspective view of the pill organizer of FIG. 1 wherein a lid of the pill organizer is open; and,
FIG. 9 is an exploded view thereof.

1 Claim, 9 Drawing Sheets



(56)

References Cited

U.S. PATENT DOCUMENTS

6,619,297 B2 * 9/2003 Sheng A45D 33/20
 132/295
 D541,049 S * 4/2007 Huang D28/63
 D558,451 S * 1/2008 Roesler D3/282
 D658,362 S * 5/2012 Nassiri A45C 11/00
 D3/203.2
 9,016,500 B1 * 4/2015 Rossi B65D 51/24
 220/212
 D741,018 S * 10/2015 Tsai D28/78
 D750,885 S * 3/2016 Chazel D3/203.2
 9,289,042 B2 * 3/2016 Bellas B65D 25/04
 D778,173 S * 2/2017 Pisarevsky B65D 47/286
 D9/719
 D780,600 S * 3/2017 Stuart A61J 1/03
 D9/743
 9,782,685 B1 * 10/2017 Perez A63H 1/32
 D833,746 S * 11/2018 Steele B65D 21/0228
 D3/295
 D839,095 S * 1/2019 Fux D9/503

D845,612 S * 4/2019 Amitai A01K 97/06
 D3/203.1
 D850,781 S * 6/2019 Danopoulos D3/203.1
 D868,466 S * 12/2019 Steele B65D 47/06
 D3/295
 10,556,724 B2 * 2/2020 Wolfson B65D 47/06
 D889,118 S 7/2020 Lee
 D893,858 S * 8/2020 Xu A61J 1/03
 D3/203.1
 D919,447 S * 5/2021 Archambault D9/761
 2004/0262306 A1 * 12/2004 Smith B65D 21/0228
 220/4.26
 2014/0069917 A1 * 3/2014 Meyers B65D 51/242
 220/23.88
 2016/0288952 A1 * 10/2016 Danielson A61J 1/03
 2016/0368661 A1 * 12/2016 Moore B65D 47/286

OTHER PUBLICATIONS

Metal Pill Box Organizer, amazon.com, <https://www.amazon.com/Organizer-Keychain-Waterproof-Travel-Weekly/dp/B08DHWP3PV> (Year: 2021).*

* cited by examiner

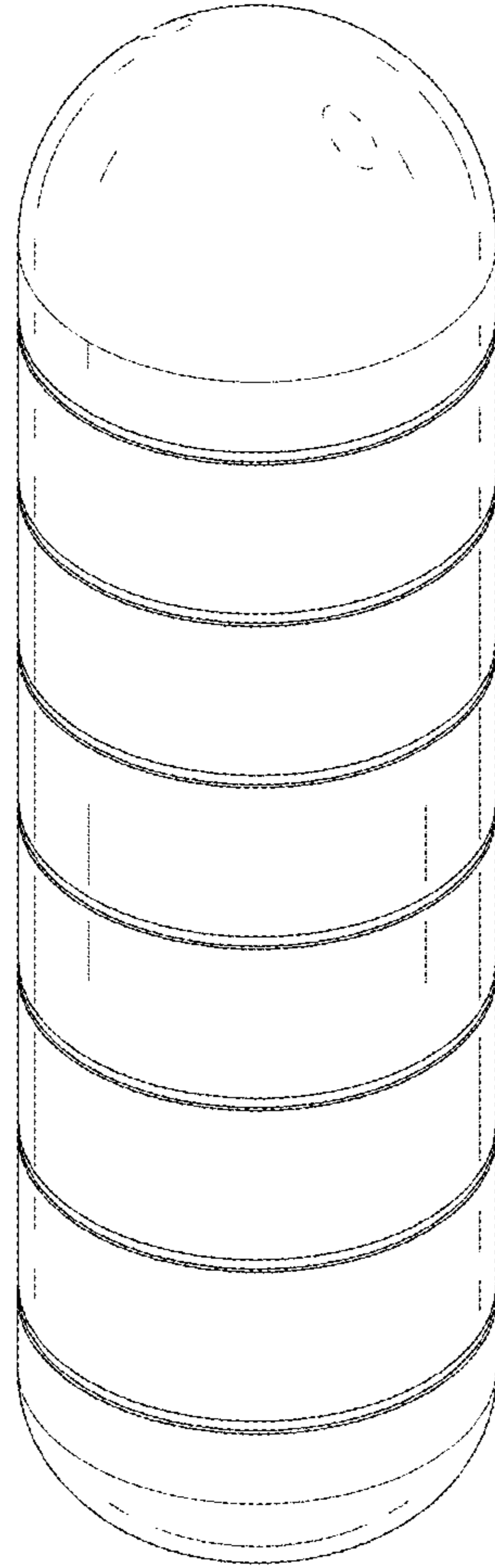


FIG.1

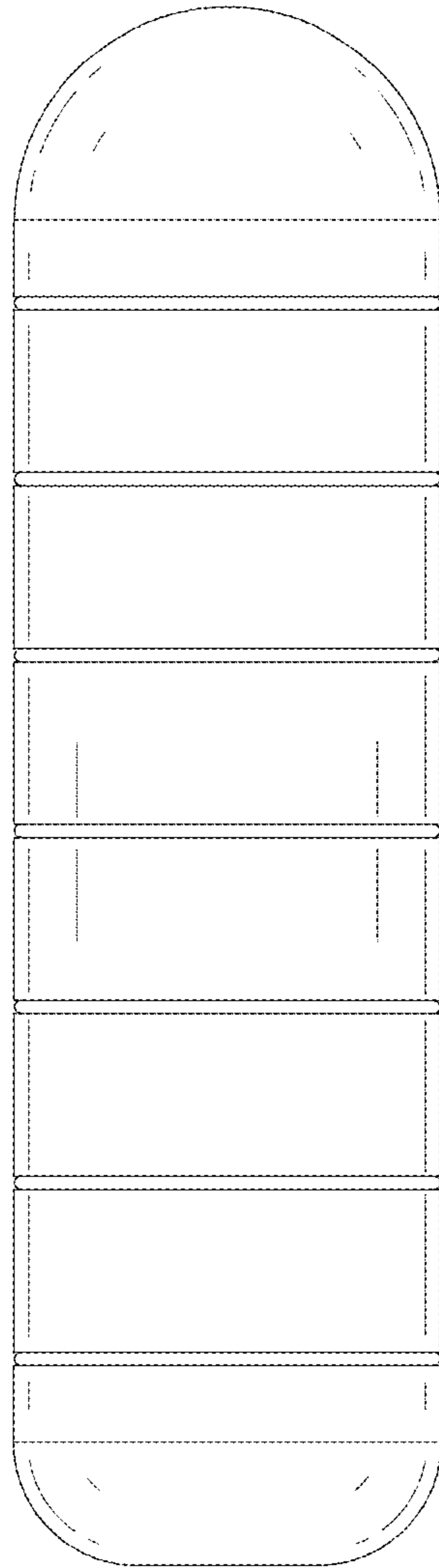


FIG.2

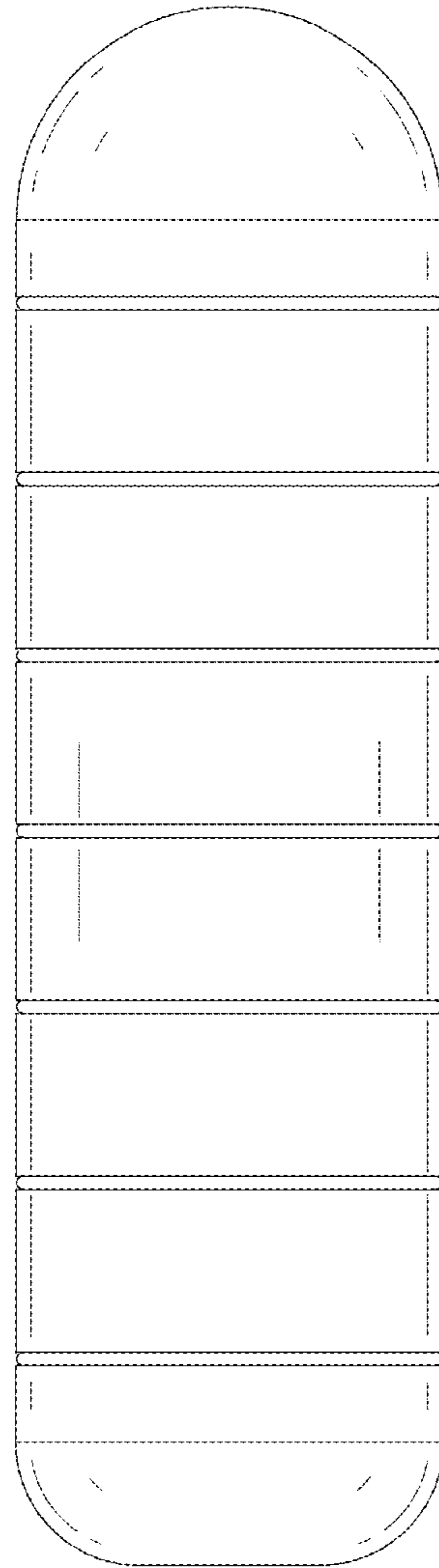


FIG.3

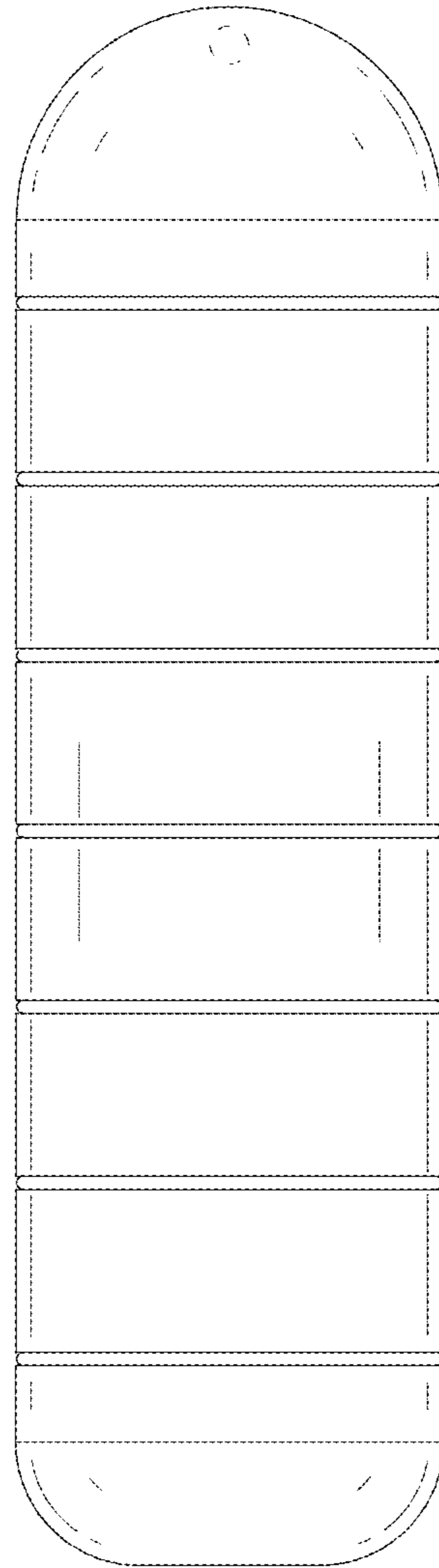


FIG.4

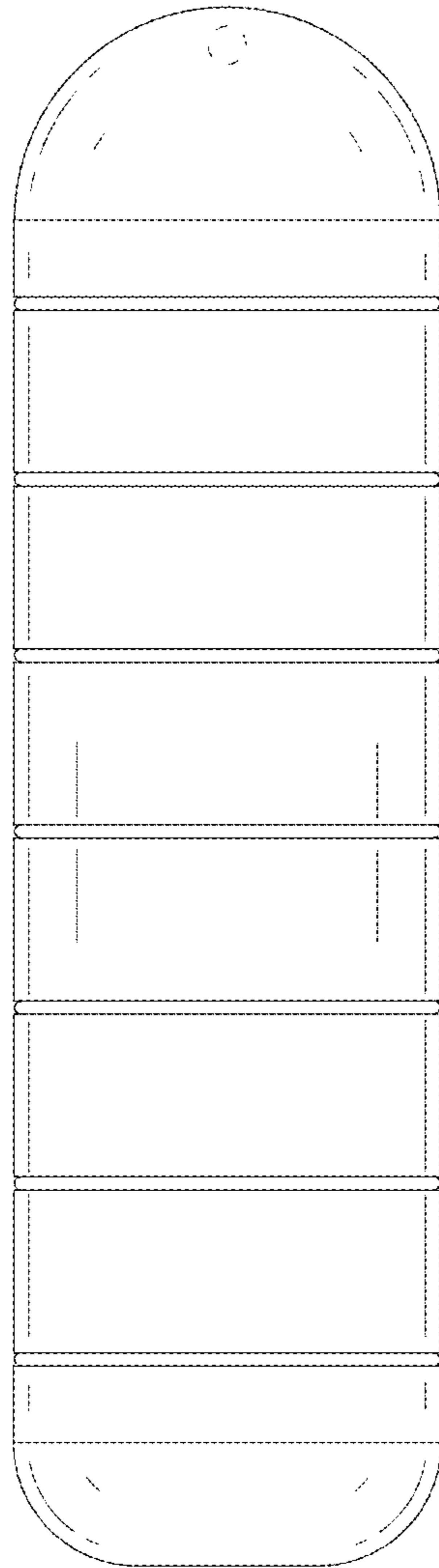


FIG.5

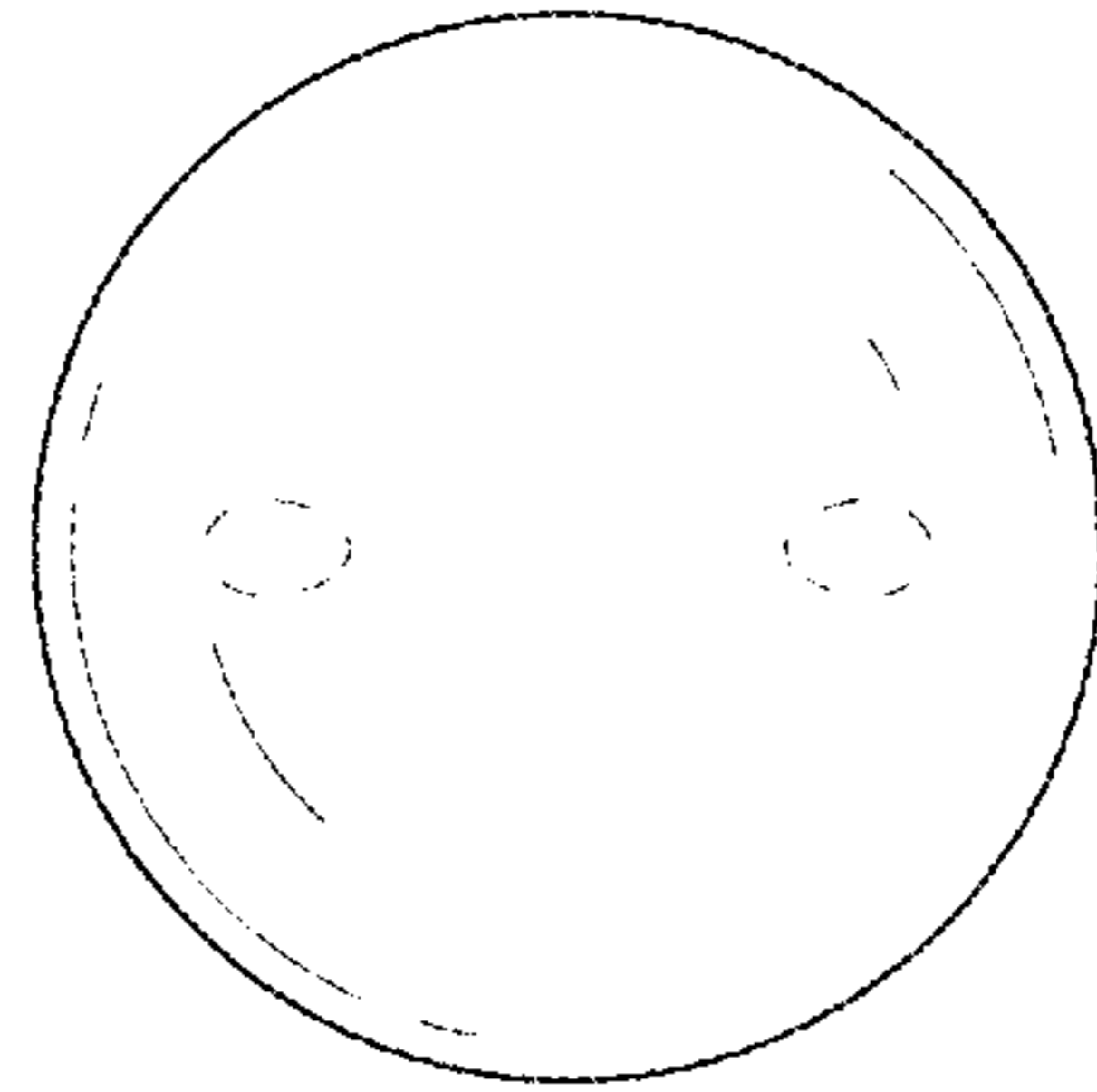


FIG.6

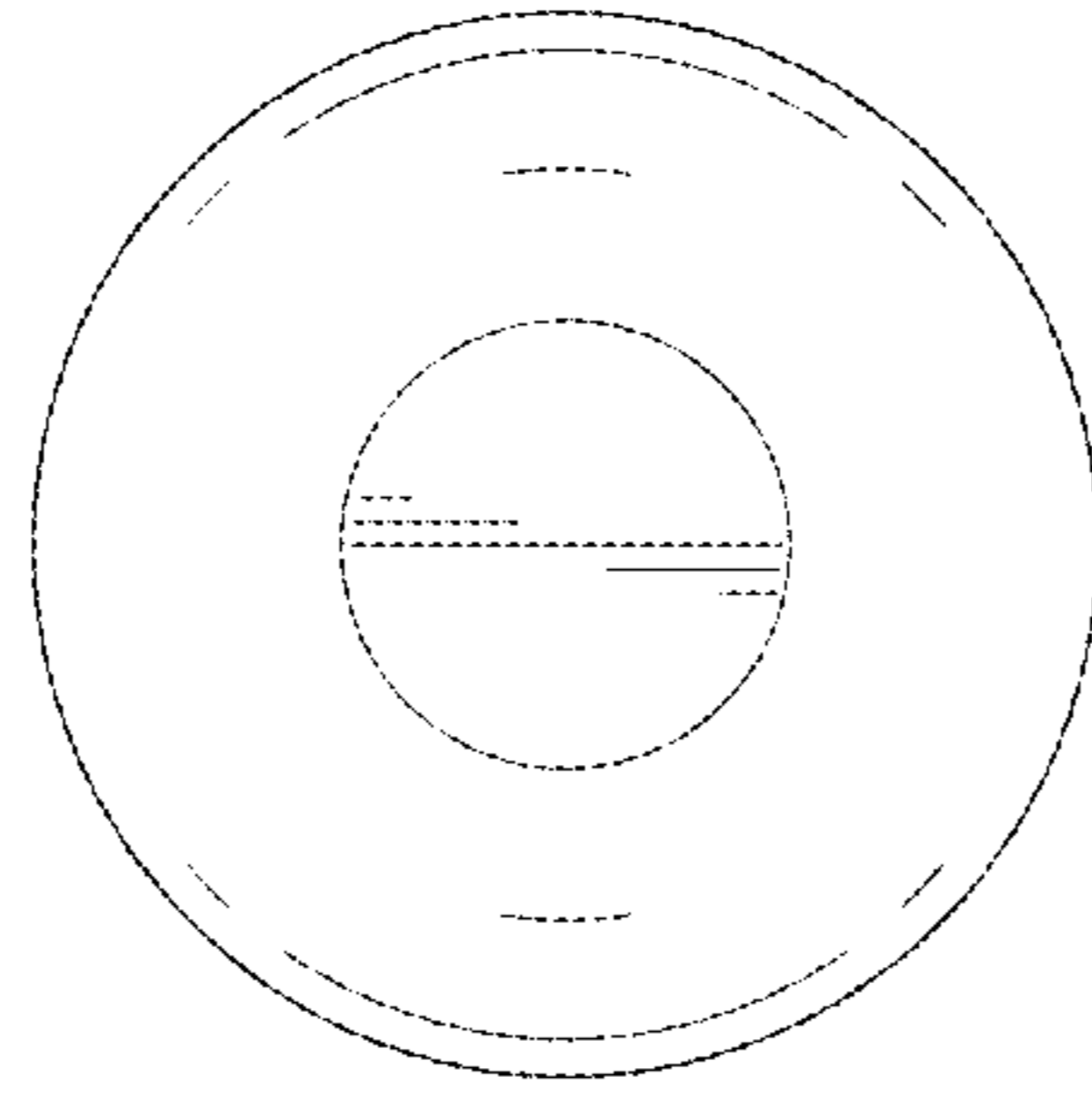


FIG. 7

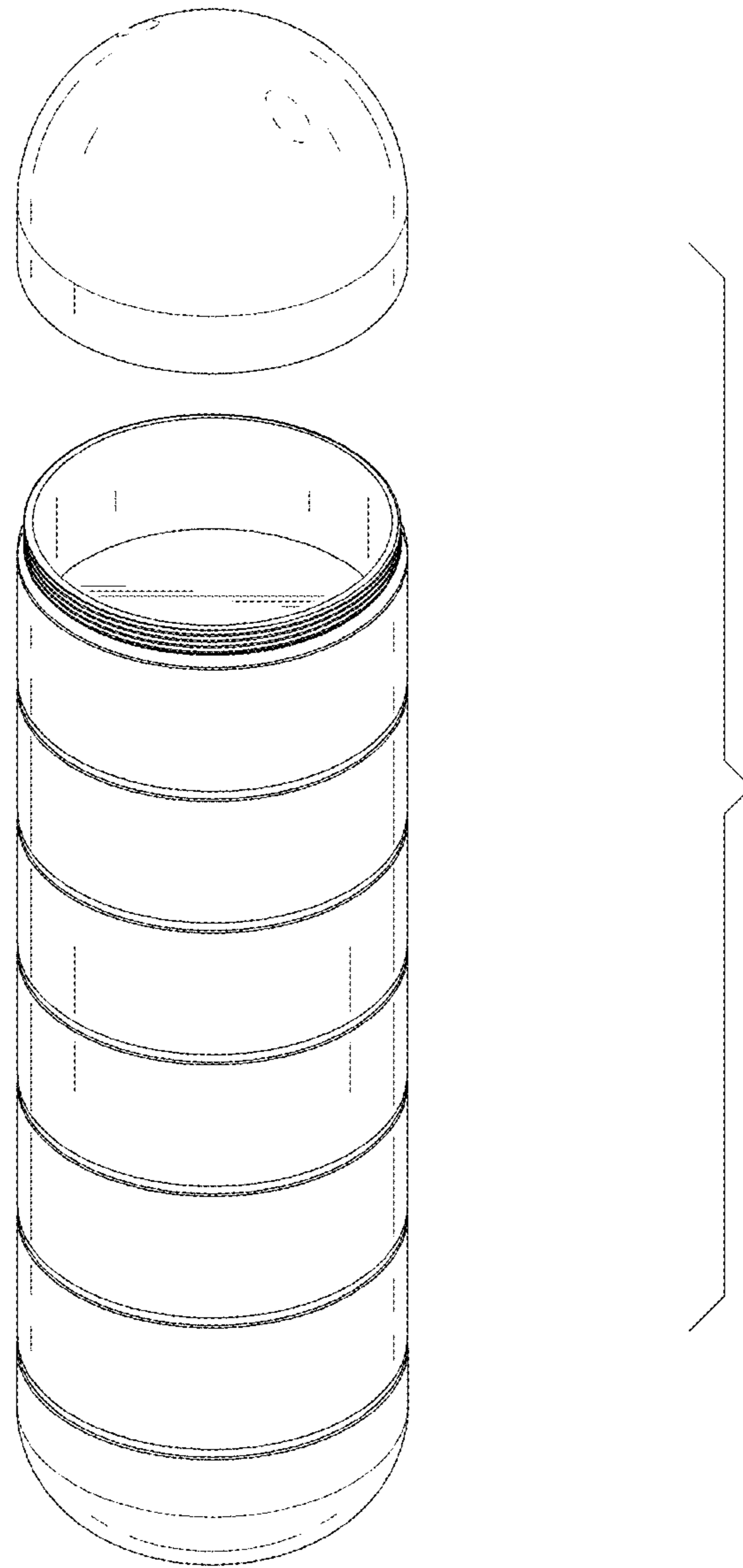


FIG.8

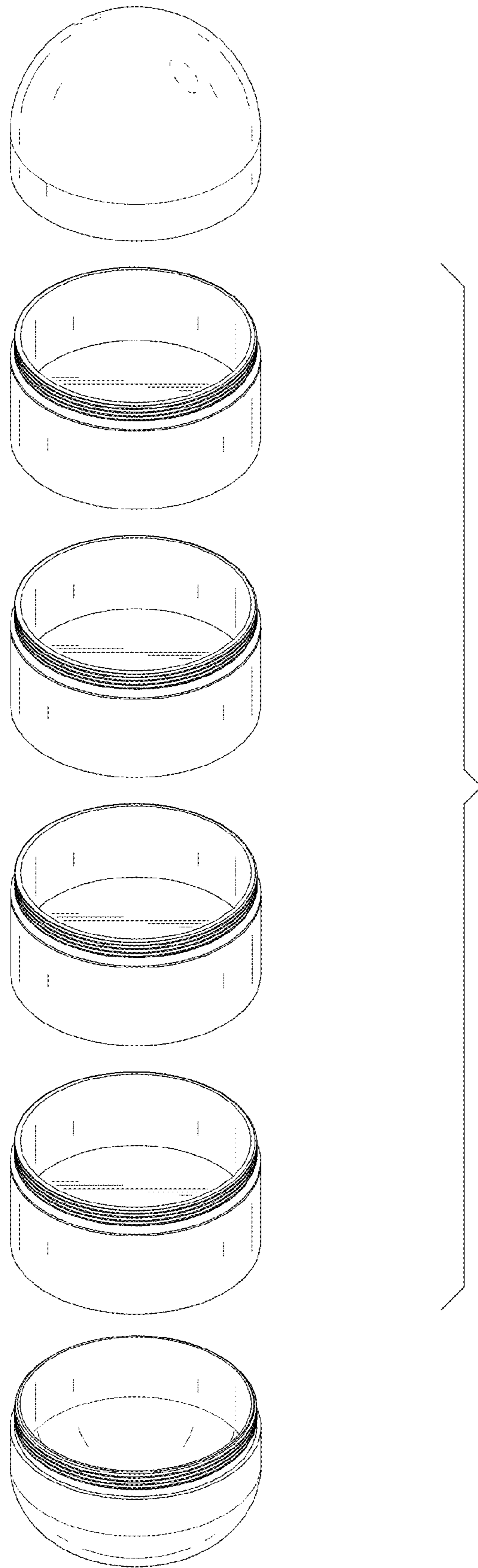


FIG. 9