



US00D932764S

(12) **United States Design Patent**
Macleod

(10) **Patent No.:** **US D932,764 S**
(45) **Date of Patent:** **** Oct. 12, 2021**

(54) **BREAST SHAPED UMBRELLA**
(71) Applicant: **Mary Anne Macleod**, Toronto (CA)
(72) Inventor: **Mary Anne Macleod**, Toronto (CA)
(**) Term: **15 Years**
(21) Appl. No.: **29/717,806**
(22) Filed: **Dec. 19, 2019**
(51) **LOC (13) Cl.** **03-03**
(52) **U.S. Cl.**
USPC **D3/5**
(58) **Field of Classification Search**
USPC D3/5, 6, 10
See application file for complete search history.

7,527,063 B1 * 5/2009 Chen A45B 25/22
135/27
D674,179 S * 1/2013 Joo D3/5
8,469,044 B1 * 6/2013 Patel A45B 25/18
135/33.7
8,550,099 B2 * 10/2013 Essex A45B 23/00
135/33.2
D696,510 S * 12/2013 Su D3/5
D699,937 S * 2/2014 Di Cesare D3/5
D721,885 S * 2/2015 Ranginwala A45B 25/02
D3/5
D731,165 S * 6/2015 Principi A45B 23/00
D3/5
D765,387 S * 9/2016 Chow F16M 13/00
D3/5
9,462,860 B1 * 10/2016 Whetstone, Jr. A45B 25/18
9,538,819 B1 * 1/2017 Hayes A45B 25/02

(Continued)

OTHER PUBLICATIONS

Nipple Umbrellas, Tweet posted by Mihir @mihirmodi Jan. 22, 2107, twitter.com, <https://twitter.com/mihirmodi/status/823148696980324352> (Year: 2017).*

(Continued)

Primary Examiner — Steven J Czyz
(74) *Attorney, Agent, or Firm* — Stratford Group Ltd.

(57) **CLAIM**

The ornamental design for a breast shaped umbrella, as shown and described.

DESCRIPTION

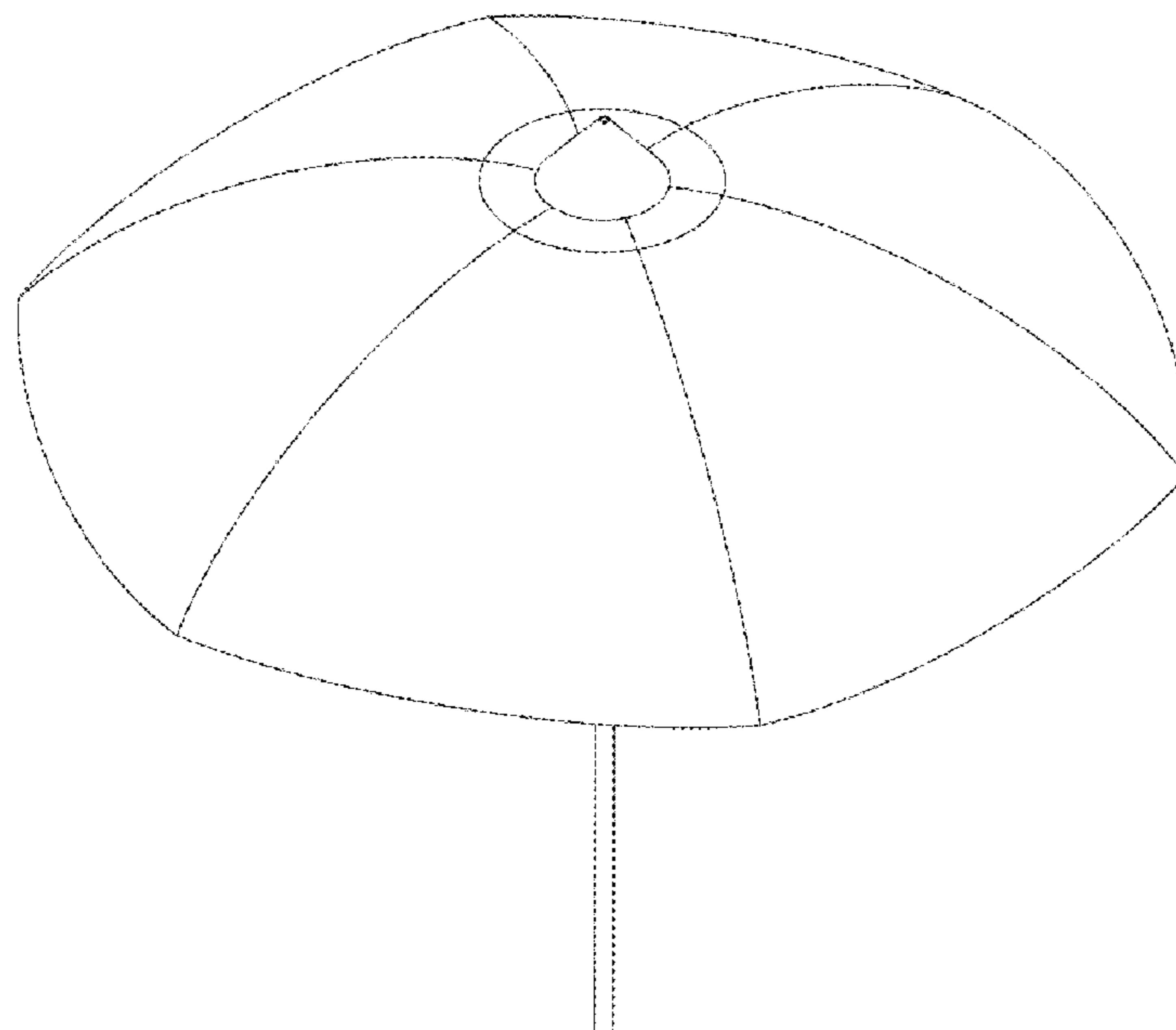
FIG. 1 is a perspective view of a breast shaped umbrella; FIG. 2 is a front view thereof, with the rear and side views being a mirror image thereof; FIG. 3 is a top view thereof; and, FIG. 4 is a bottom view thereof.

1 Claim, 4 Drawing Sheets

(56) **References Cited**

U.S. PATENT DOCUMENTS

D229,124 S * 11/1973 Turner et al. D3/5
D371,673 S * 7/1996 Morales 135/33.7
D371,902 S * 7/1996 Lee D3/5
D373,468 S * 9/1996 Dubinsky D3/5
D410,142 S * 5/1999 Chipman D3/5
D413,198 S * 8/1999 You D3/5
6,234,186 B1 * 5/2001 Tsai A45B 11/00
135/25.33
D453,415 S * 2/2002 You D3/5
D476,475 S * 7/2003 You D3/5
D478,416 S * 8/2003 Clarke D3/5
D485,674 S * 1/2004 Liu D3/5
D497,226 S * 10/2004 Nauert 119/57.9
D497,458 S * 10/2004 Nauert A01K 39/0206
119/57.9
D533,992 S * 12/2006 You D3/5
D546,551 S * 7/2007 de Oliveira Santos D3/5
7,503,336 B2 * 3/2009 Labarbera A45B 25/18
135/16
D591,947 S * 5/2009 Williams D3/5



(56)

References Cited

U.S. PATENT DOCUMENTS

D813,523	S *	3/2018	Liu	A45B 25/18 D3/5
9,943,147	B2 *	4/2018	Afonso	B32B 27/306
D822,368	S *	7/2018	You	A45B 25/18 D3/5
D822,369	S *	7/2018	Hong	A45B 25/22 D3/5
10,143,277	B1 *	12/2018	Ross	F41B 11/80
D851,386	S *	6/2019	Wang	A45B 19/10 D3/5
D876,804	S *	3/2020	Hendrix	A45B 25/10 D3/5
10,609,994	B2 *	4/2020	Vanderminde	F16M 13/00
2008/0135076	A1 *	6/2008	Awni	A45B 25/10 135/31
2012/0031446	A1 *	2/2012	Frost	A45B 19/10 135/20.3
2013/0048038	A1 *	2/2013	Herrera	A45B 11/00 135/31
2014/0290707	A1	10/2014	O'Donnell		

OTHER PUBLICATIONS

Boob Umbrella, Free the nipple and keep cool in the sun with this boob umbrella, posted by Lisa Bowman Jul. 9, 2018, metro.co.uk, <https://metro.co.uk/2018/07/09/free-nipple-keep-cool-sun-boob-umbrella-7694280/> (Year: 2018).*

* cited by examiner

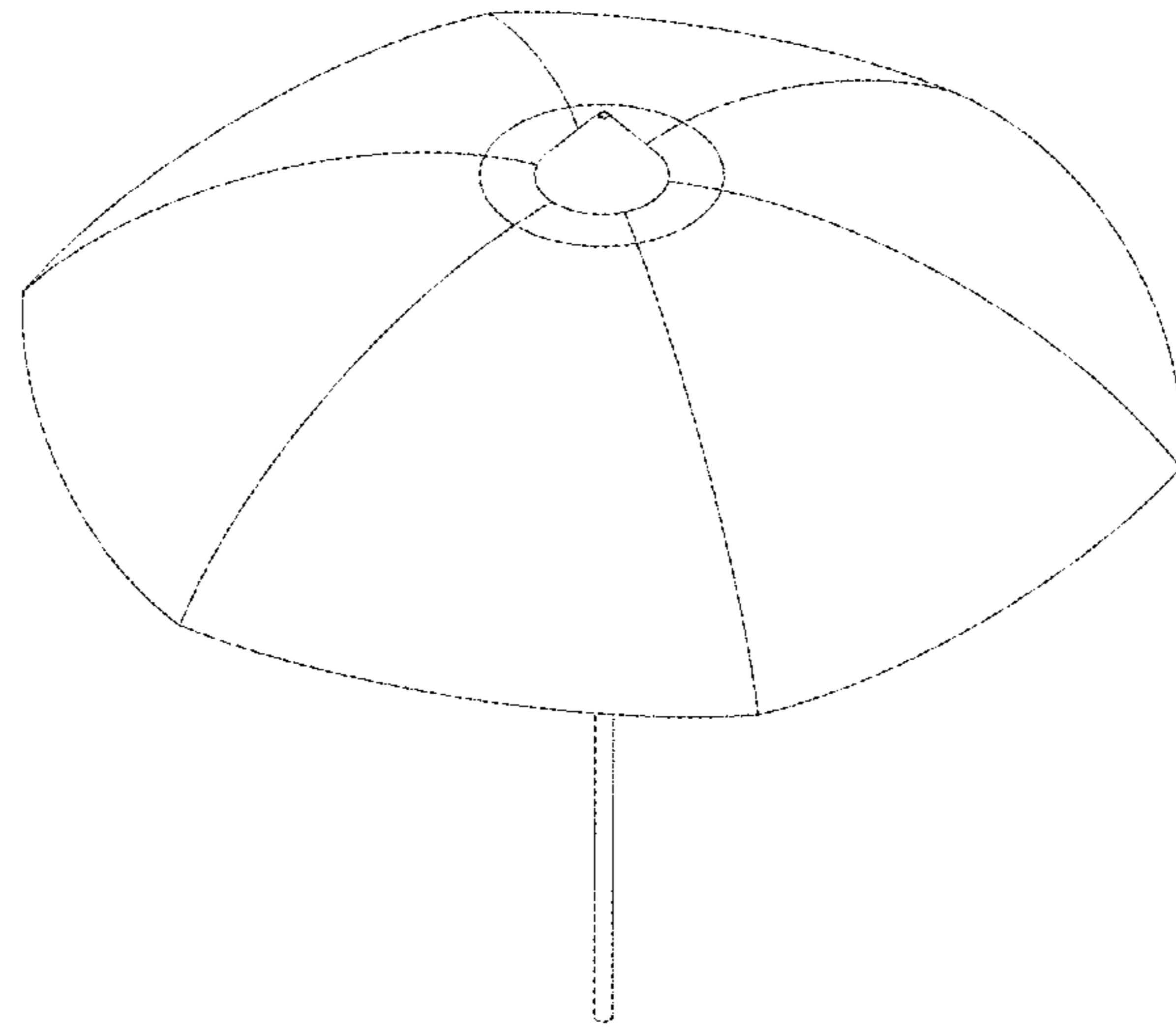


FIG. 1

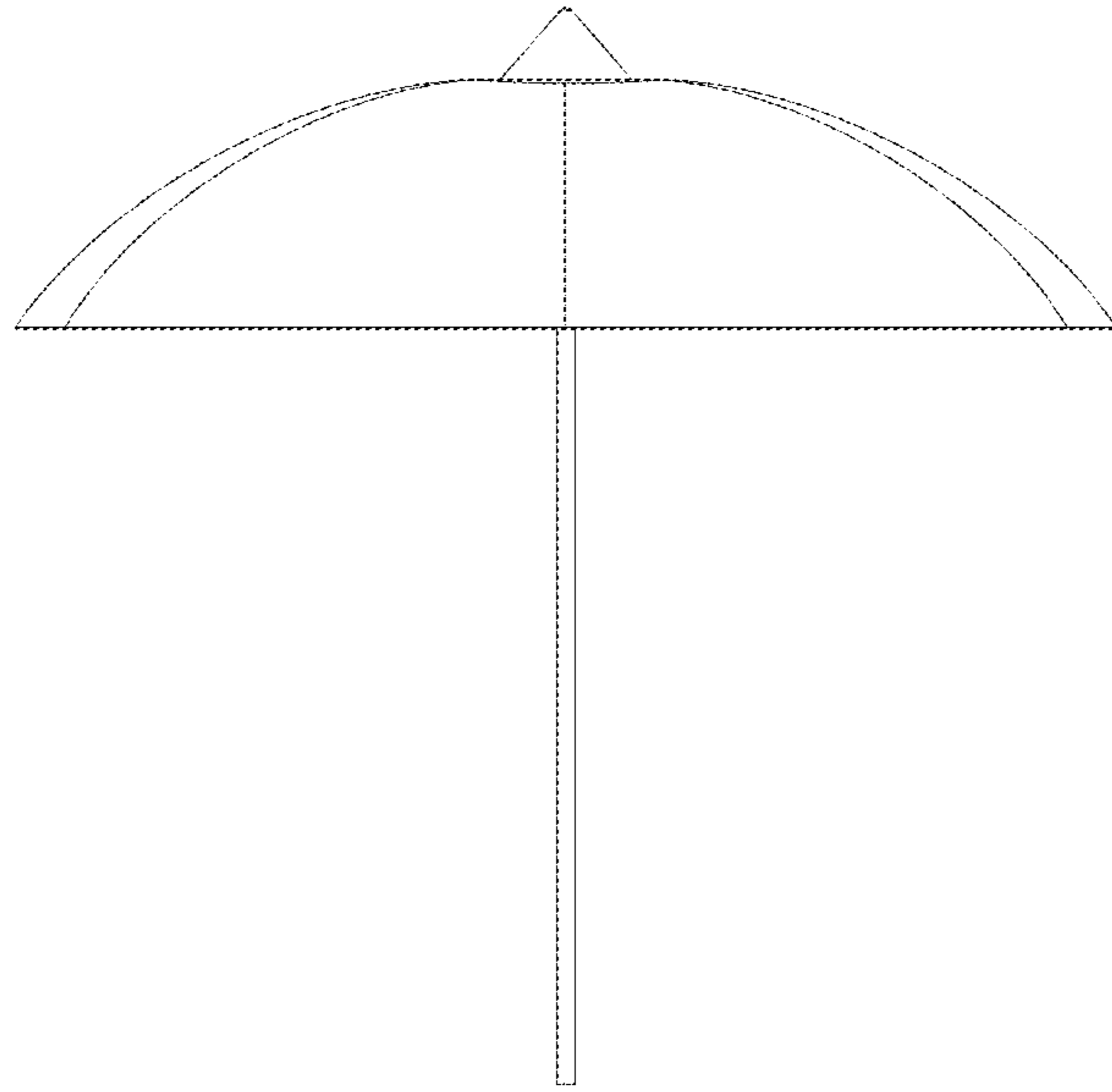


FIG. 2

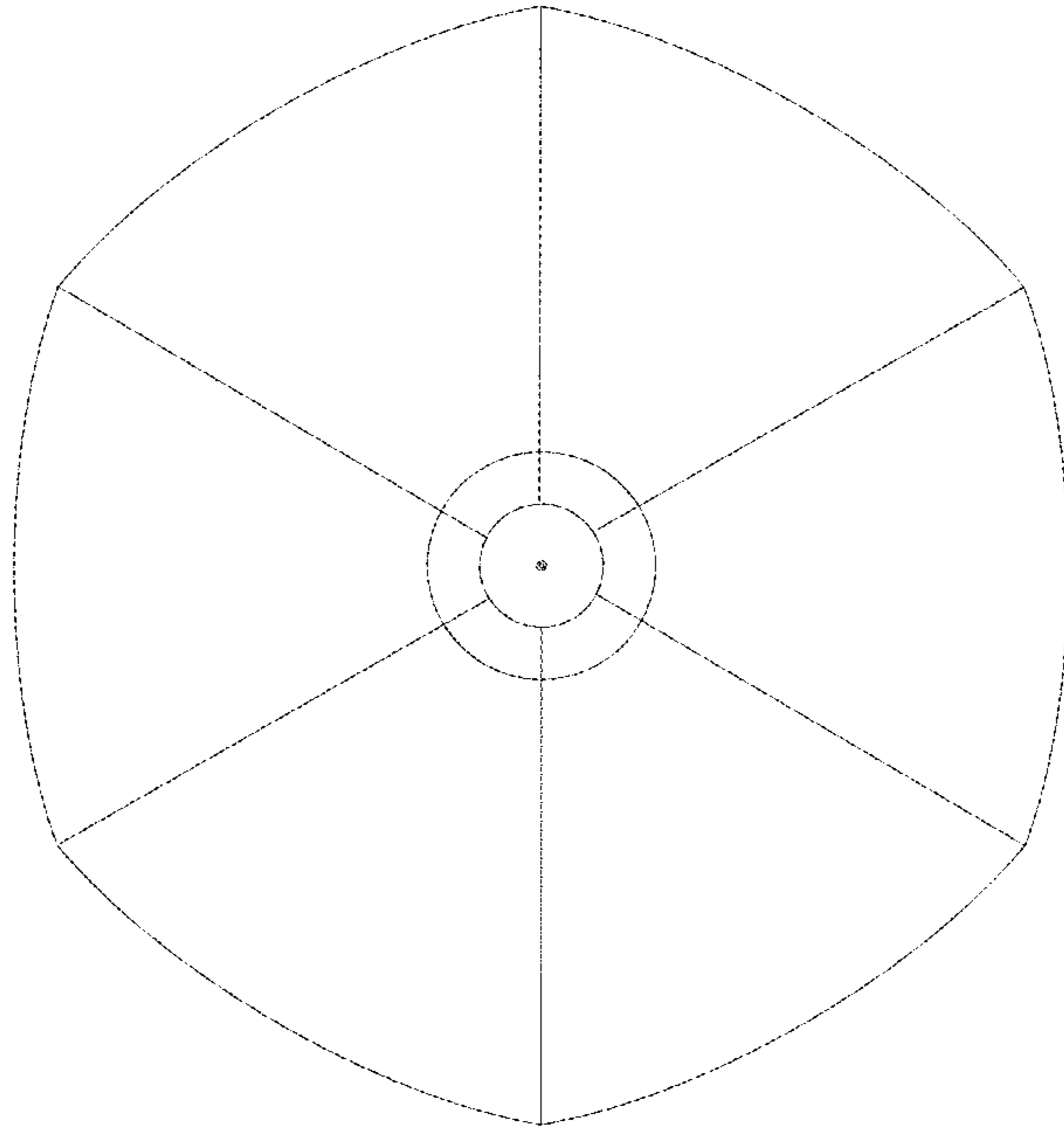


FIG. 3

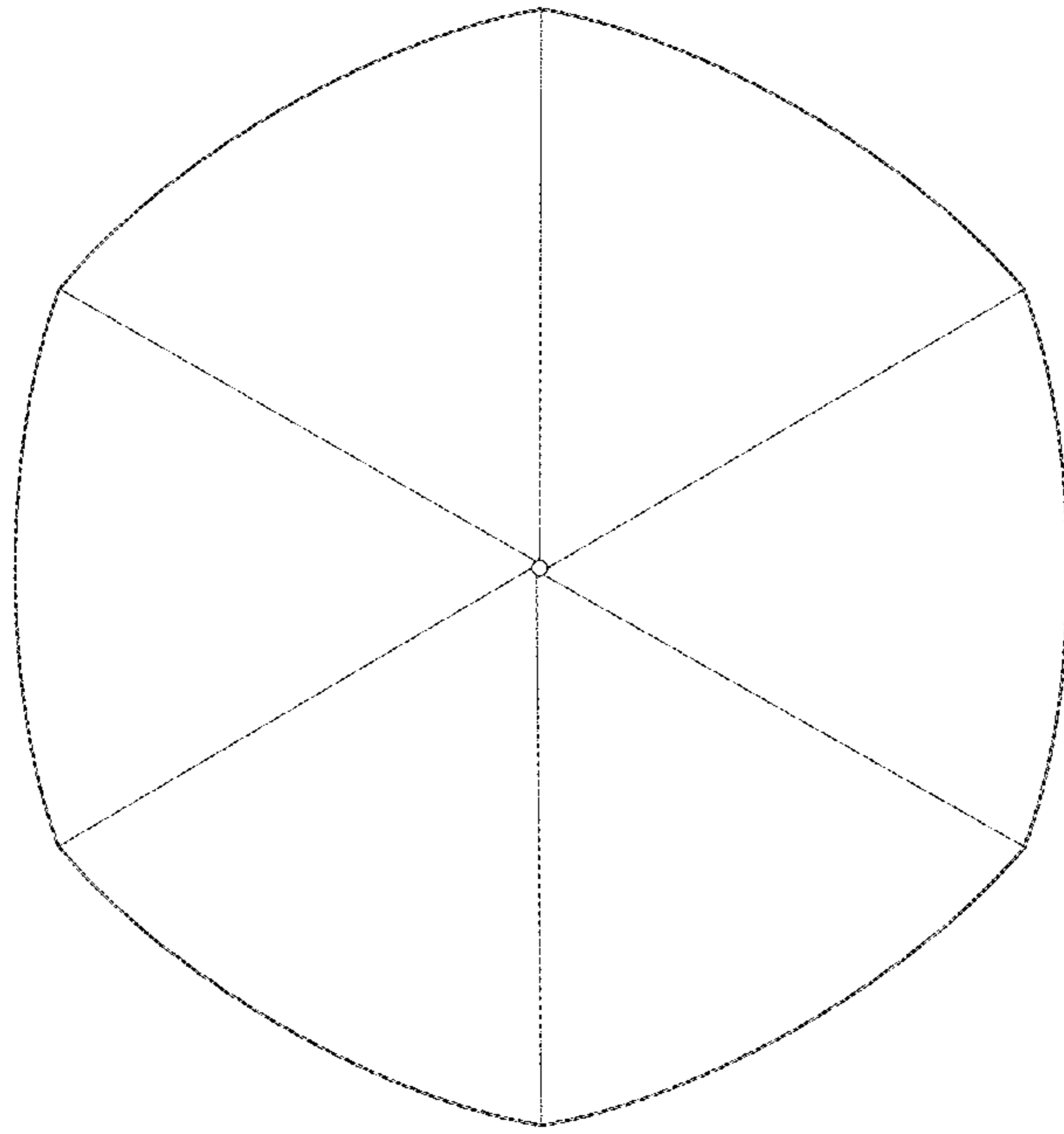


FIG. 4