



US00D932759S

(12) **United States Design Patent**
Roth

(10) **Patent No.:** **US D932,759 S**
(45) **Date of Patent:** **** Oct. 12, 2021**

- (54) **SHOE HEEL**
- (71) Applicant: **Centripetal Entertainment LLC**, Los Angeles, CA (US)
- (72) Inventor: **Jennifer Roth**, Los Angeles, CA (US)
- (73) Assignee: **CENTRIPETAL ENTERTAINMENT LLC**, Los Angeles, CA (US)

4,128,609 A	12/1978	Rawson	
D252,836 S *	9/1979	Picker	D2/950
D262,329 S	12/1981	Mazabras	
D415,675 S *	10/1999	Hannerstig	D8/378
D468,625 S *	1/2003	Schorling	D8/378
D584,495 S	1/2009	Choi	
D595,486 S	7/2009	Van Hulle	
D690,913 S	10/2013	Gordon	
D709,683 S *	7/2014	Sookdeo	D2/965
D716,029 S *	10/2014	Whittington	D2/965

(Continued)

(**) Term: **15 Years**

(21) Appl. No.: **29/731,053**

(22) Filed: **Apr. 10, 2020**

Related U.S. Application Data

(62) Division of application No. 29/631,562, filed on Dec. 29, 2017, now Pat. No. Des. 883,638.

(51) **LOC (13) Cl.** **02-04**

(52) **U.S. Cl.**
USPC **D2/965; D2/898**

(58) **Field of Classification Search**
USPC D2/896-900, 914, 915, 946, 947-953,
D2/964-968, 976

CPC A43B 13/00; A43B 21/30; A43B 23/30;
A43B 21/42; A43B 21/00; A43B 5/12

See application file for complete search history.

(56) **References Cited**

U.S. PATENT DOCUMENTS

1,609,918 A	12/1926	Perugia	
1,718,177 A	6/1929	Nutt	
1,857,475 A	5/1932	Quirk	
2,093,354 A	9/1937	Grinde	
2,284,328 A *	5/1942	Korda	A43B 21/24 36/34 R
2,321,734 A	6/1943	Clausing	
2,399,543 A	4/1946	Dack	
2,925,671 A	2/1960	Del Giudice et al.	
3,216,133 A	11/1965	Houle	

FOREIGN PATENT DOCUMENTS

EP 3 069 627 A1 9/2016

Primary Examiner — Rashida C. Walshon

(74) *Attorney, Agent, or Firm* — Davin Stockwell; Orrick, Herrington & Sutcliffe, LLP

(57) **CLAIM**

The ornamental design for a shoe heel, as shown and described.

DESCRIPTION

FIG. 1 is a perspective view showing the rear, top and right sides of the shoe heel in the form of a letter “K”;

FIG. 2 is a front elevation view of the shoe heel in the form of the letter “K”;

FIG. 3 is a rear elevation view of the shoe heel in the form of the letter “K”;

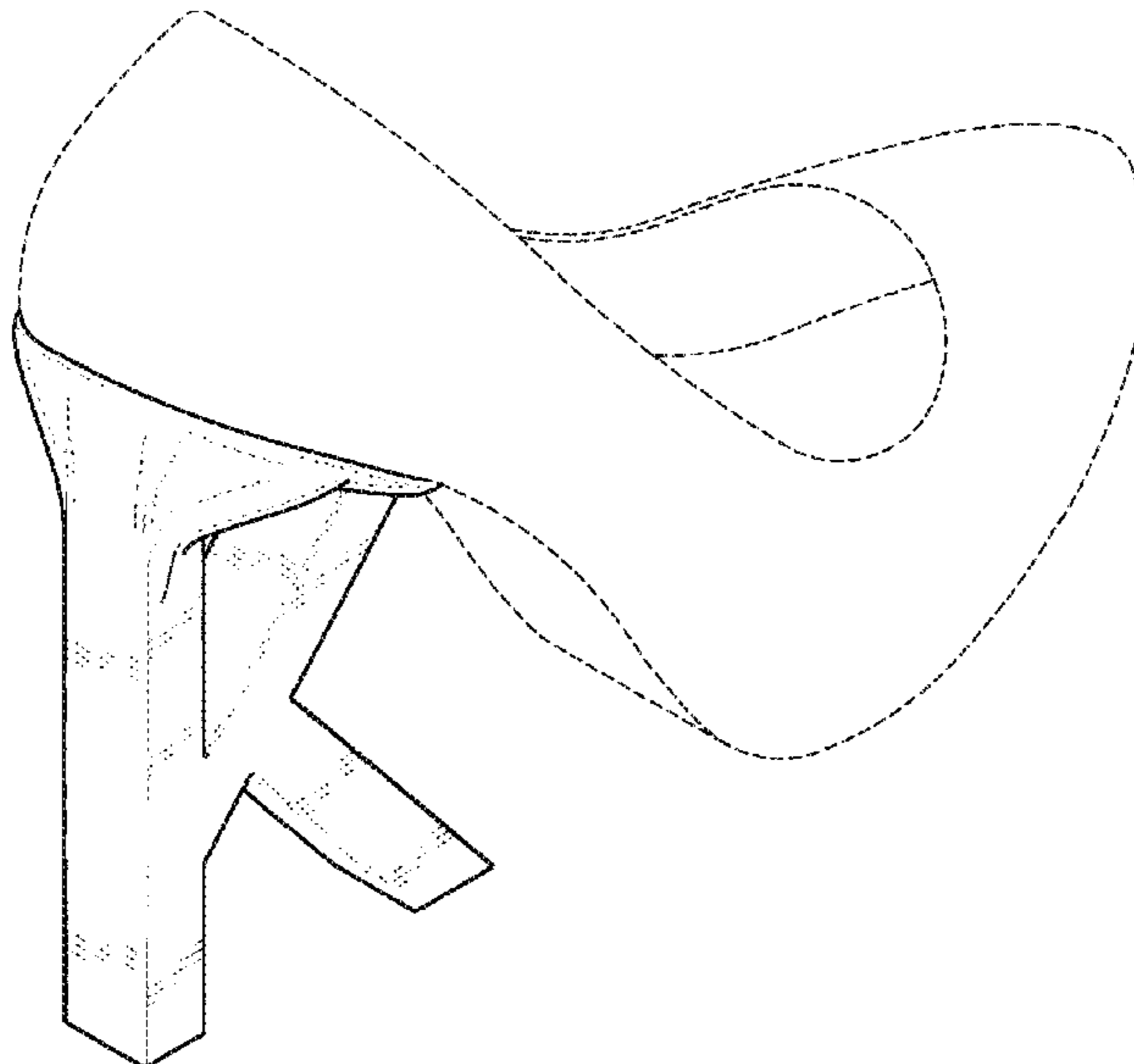
FIG. 4 is a right side elevation view of the shoe heel in the form of the letter “K”, the left side elevation view being a mirror image thereof;

FIG. 5 is a top plan view of the shoe heel in the form of the letter “K”; and,

FIG. 6 is a bottom plan view of the shoe heel in the form of the letter “K”.

The broken lines shown in the drawings represent portions of the shoe heel that form no part of the claimed design.

1 Claim, 6 Drawing Sheets



(56)

References Cited

U.S. PATENT DOCUMENTS

D716,030 S * 10/2014 Whittington D2/965
D716,033 S * 10/2014 Whittington D2/966
D730,634 S 6/2015 Stiles
D744,220 S 12/2015 Slimane
D745,431 S * 12/2015 White D11/160
D747,862 S * 1/2016 Blair D2/965
9,491,986 B1 11/2016 Dixon et al.
D797,419 S 9/2017 Haydel
D833,127 S 11/2018 Menjor
D850,079 S * 6/2019 Haydel D2/950
2014/0290100 A1 10/2014 Flowers
2014/0325879 A1 11/2014 Roccella

* cited by examiner

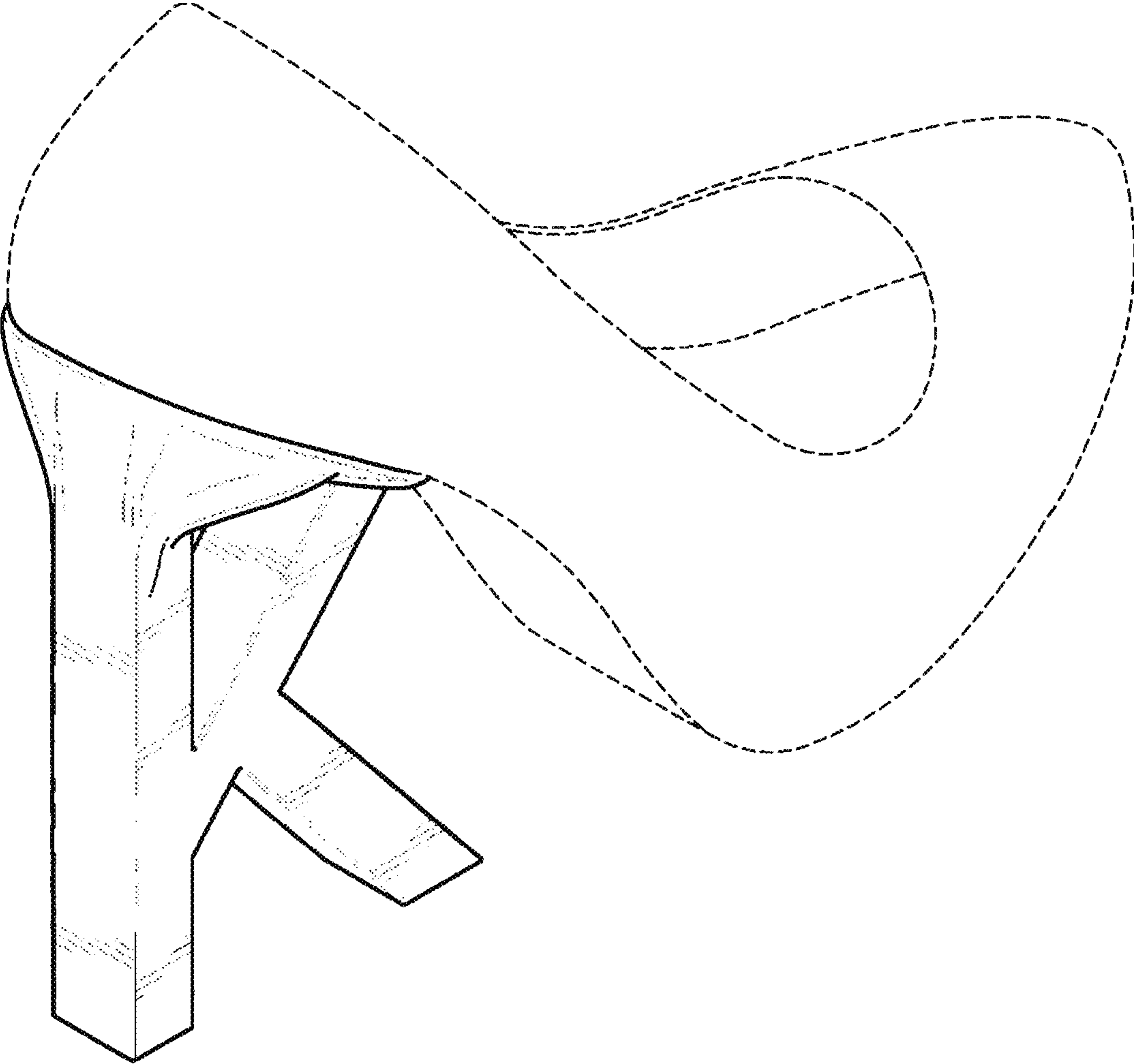


FIG. 1

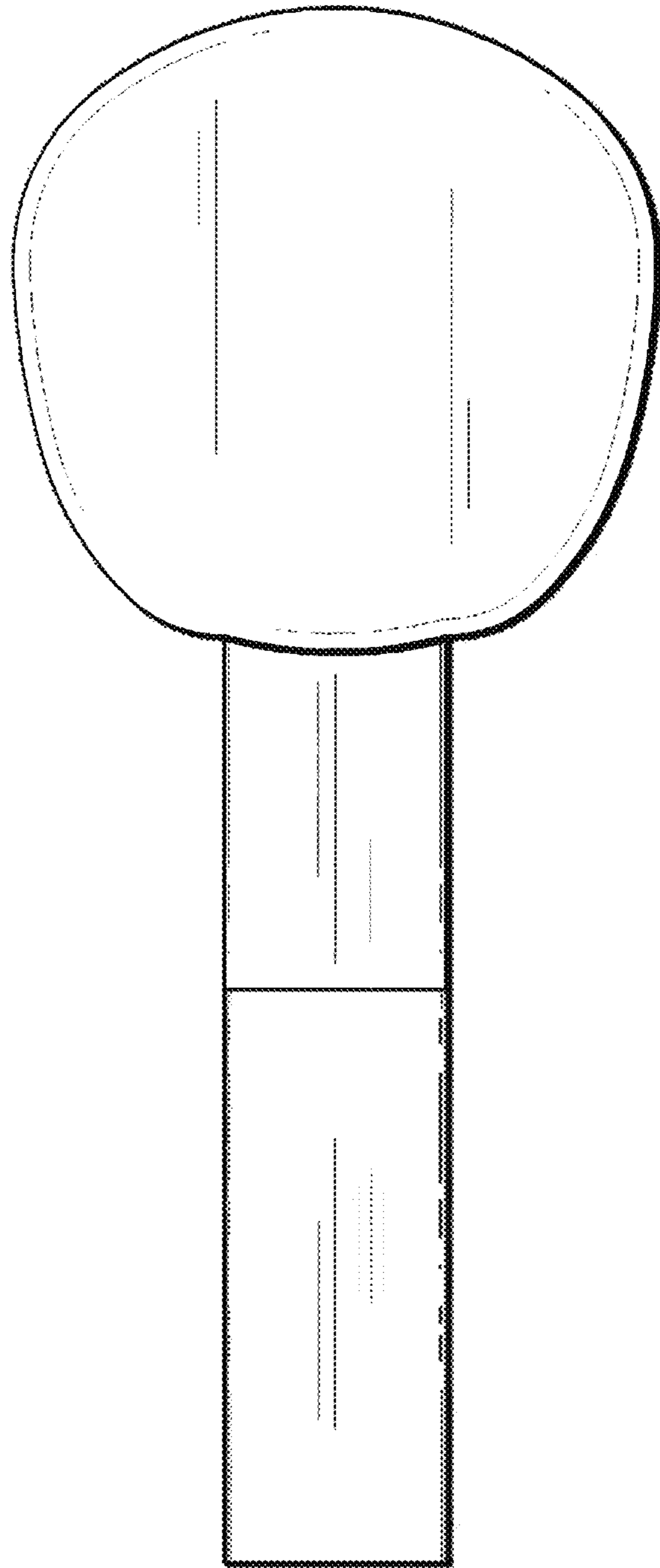


FIG. 2

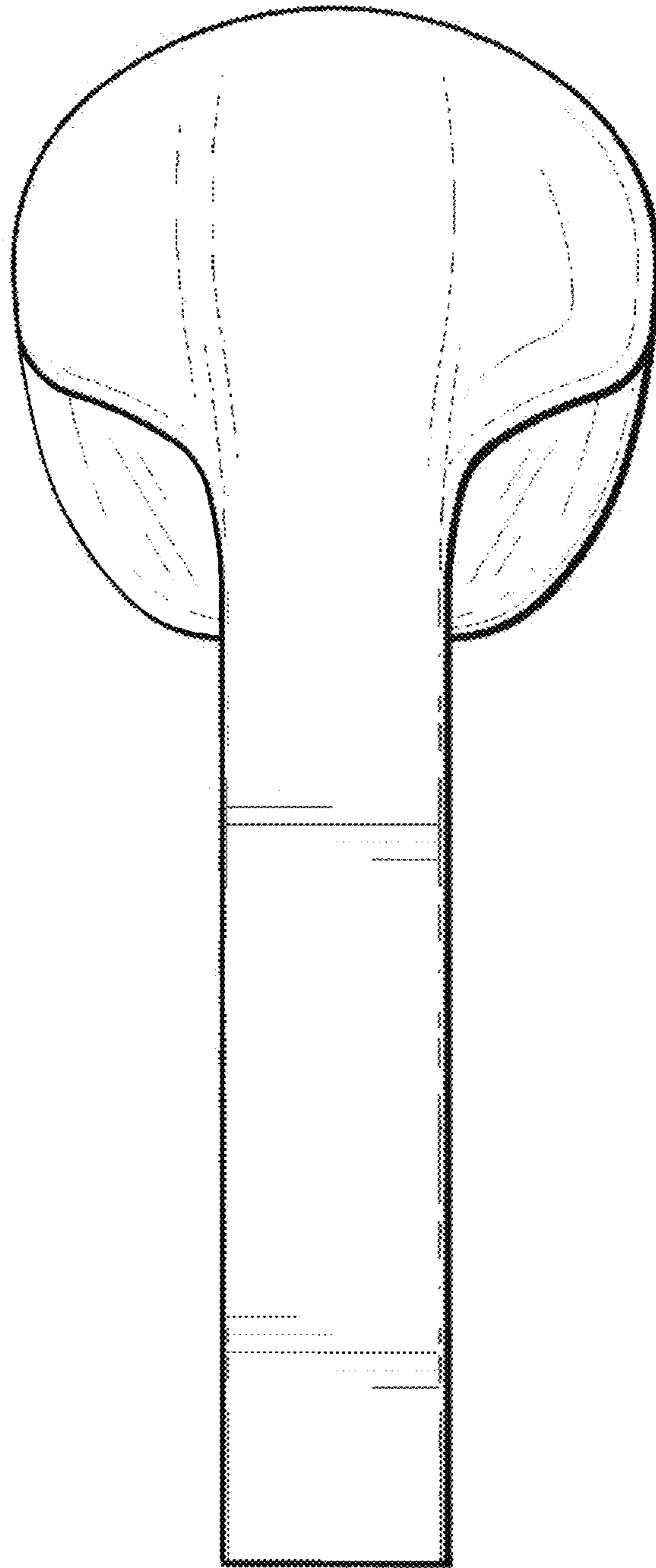


FIG. 3

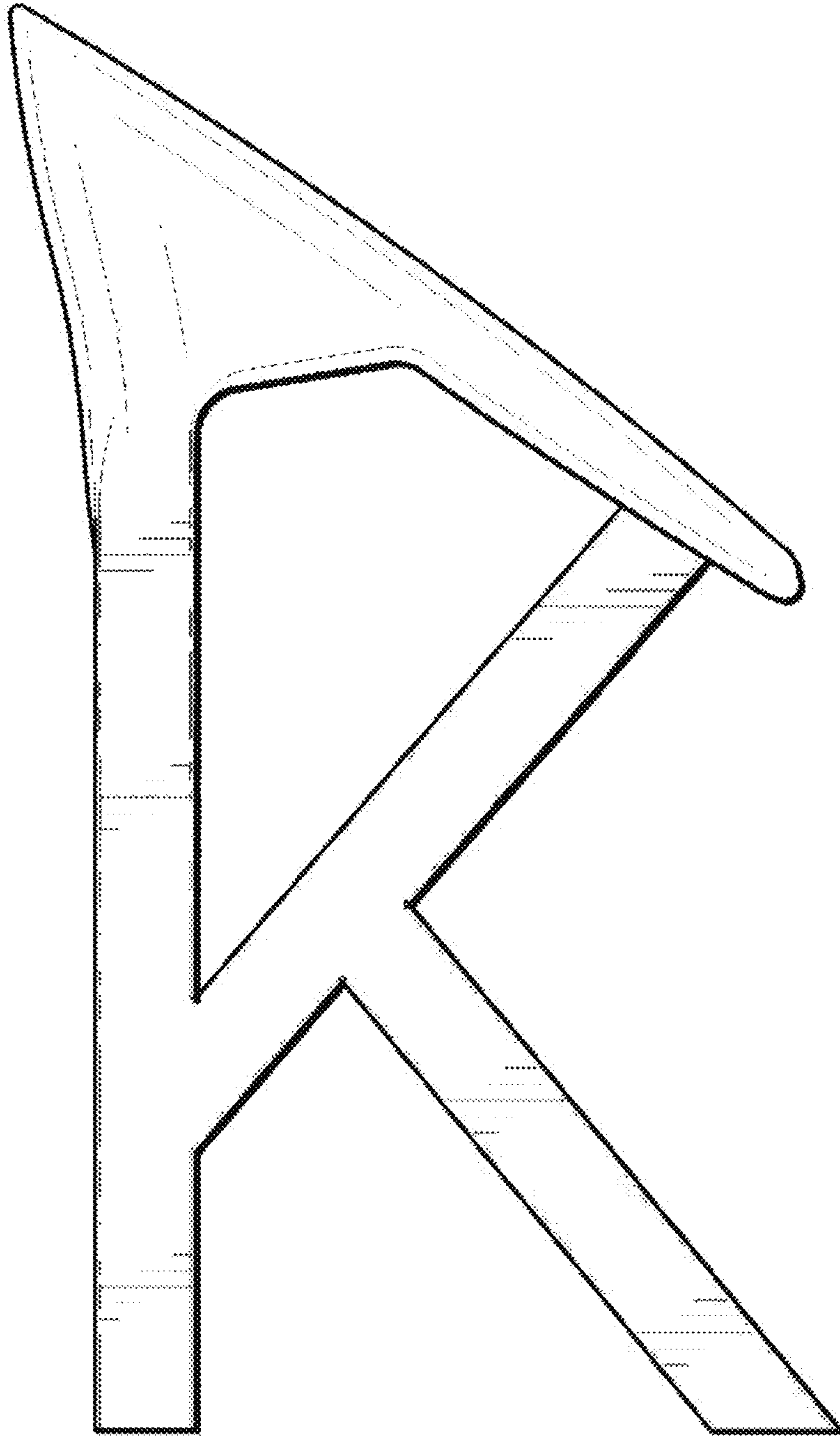


FIG. 4

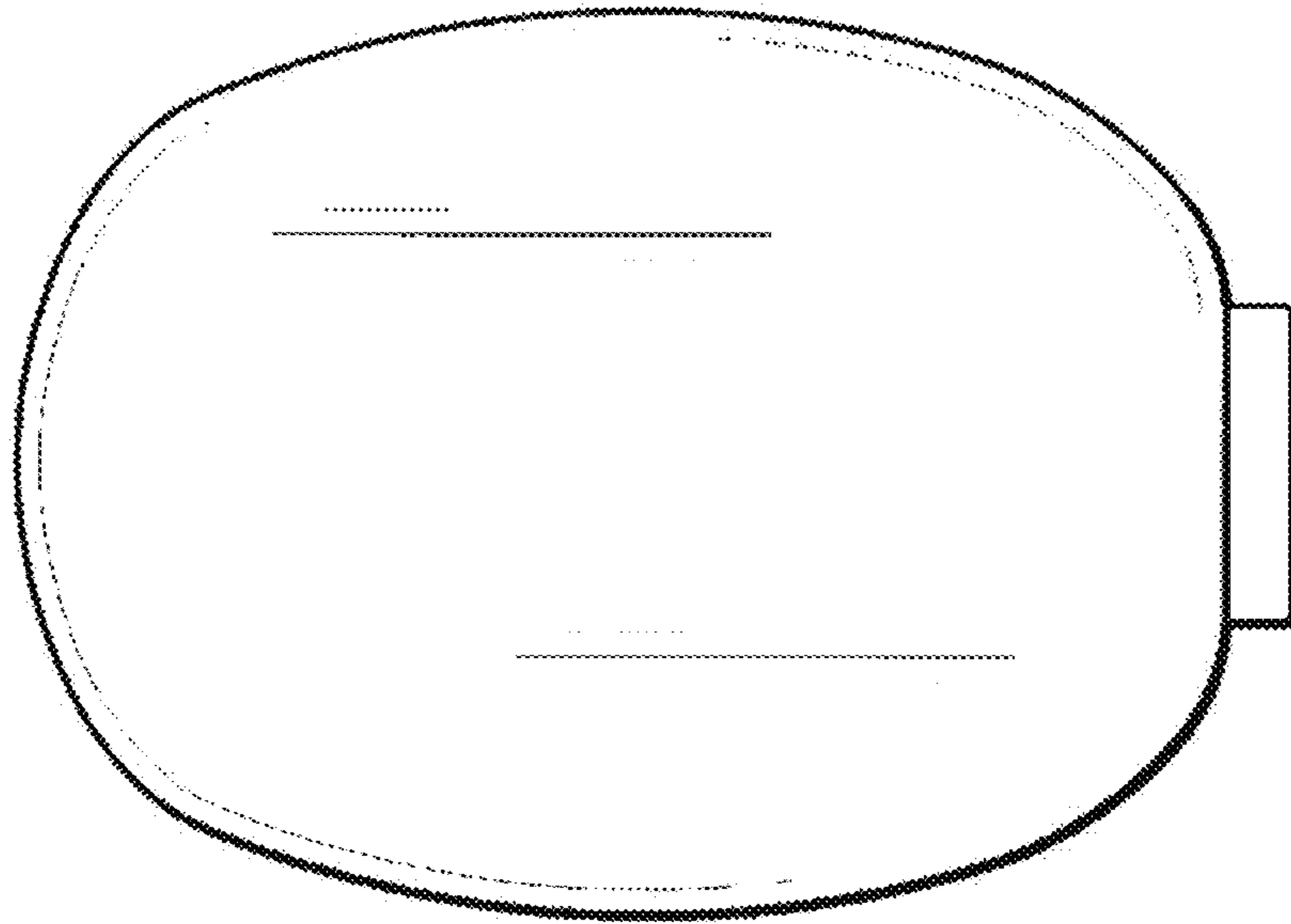


FIG. 5

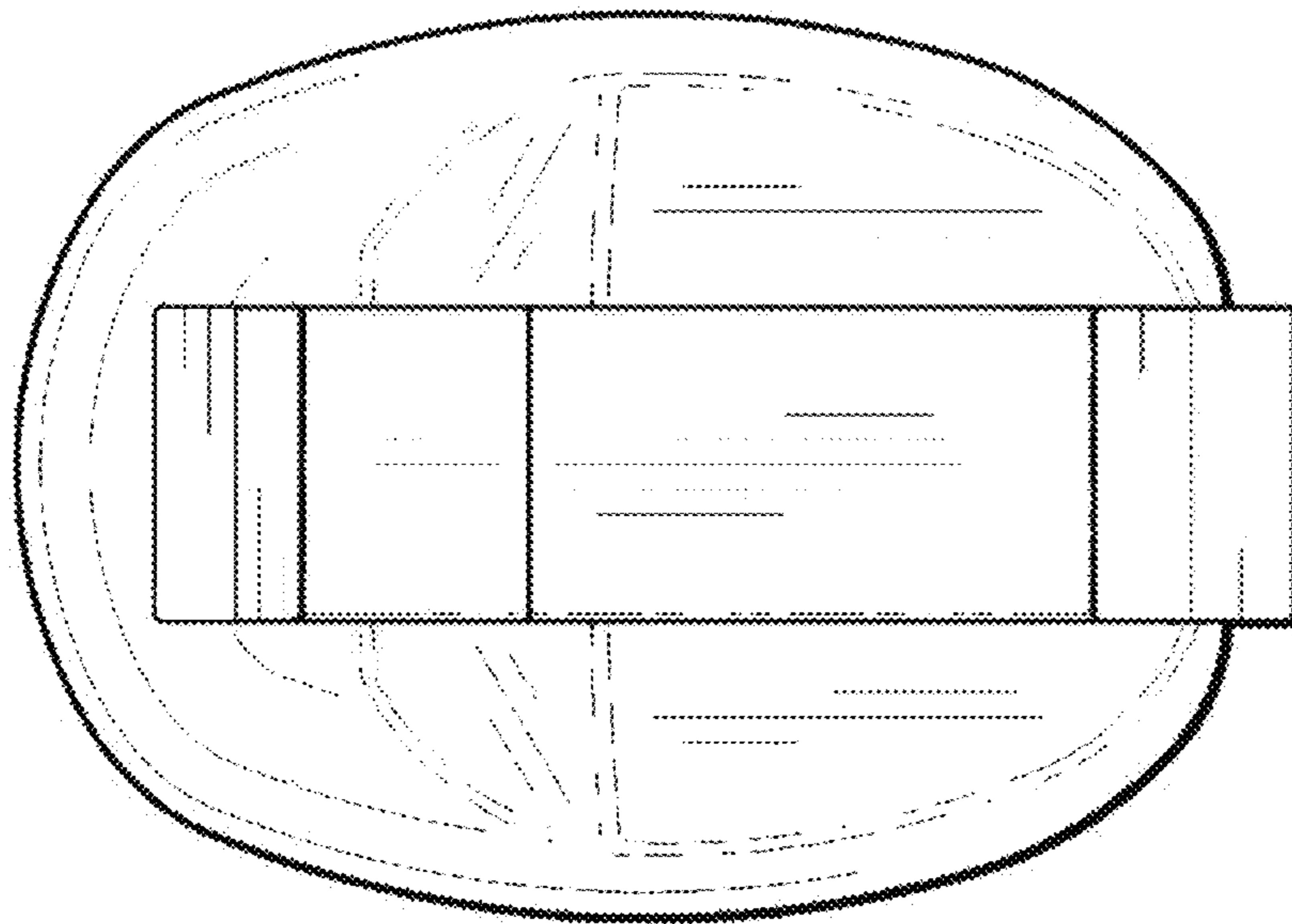


FIG. 6