

US00D932744S

(12) **United States Design Patent**  
**Yera**

(10) **Patent No.:** **US D932,744 S**

(45) **Date of Patent:** **\*\* Oct. 12, 2021**

(54) **HEAD COVERING WITH SNAP-IN COOLING INSERT**

(71) Applicant: **Javier Yera**, South Milwaukee, WI (US)

(72) Inventor: **Javier Yera**, South Milwaukee, WI (US)

(\*\*) Term: **15 Years**

(21) Appl. No.: **29/749,969**

(22) Filed: **Sep. 10, 2020**

(51) **LOC (13) Cl.** ..... **02-03**

(52) **U.S. Cl.**  
USPC ..... **D2/892**

(58) **Field of Classification Search**  
USPC ..... D2/865, 866, 869, 870, 872, 873, 876, D2/877, 878, 879, 880, 881, 882, 883, D2/884, 886, 891, 892, 893, 894, 895; D29/102, 106, 109, 110, 122  
CPC ..... A42B 1/00; A42B 1/002; A42B 1/008; A42B 1/06; A42B 1/08; A42B 1/20; A42B 1/208; A42B 1/247; A42B 1/248; A42B 3/00; A42B 3/04; A42B 3/06; A42B 3/062; A42B 3/10; A42C 5/00; A42C 5/02; A42C 5/04  
See application file for complete search history.

(56) **References Cited**

**U.S. PATENT DOCUMENTS**

D109,526 S \* 5/1938 Finkelstein ..... D2/865  
D187,519 S \* 3/1960 Lasting ..... D2/865  
5,915,534 A \* 6/1999 May ..... A42C 5/02  
2/181.4  
D420,207 S \* 2/2000 Barton ..... D2/865

D427,751 S \* 7/2000 Richlin ..... D2/865  
6,112,332 A 9/2000 McCormick  
D455,539 S \* 4/2002 Kates ..... D2/865  
D473,039 S \* 4/2003 Erspamer ..... D2/889  
D639,532 S \* 6/2011 Malarky, II ..... D2/878  
D659,351 S \* 5/2012 Benkendorfer ..... D2/865  
D720,520 S \* 1/2015 Klaiber ..... D2/889  
10,172,404 B2 \* 1/2019 Elharar ..... A42B 1/041  
2009/0255035 A1 \* 10/2009 Little ..... A42B 1/22  
2/183  
2014/0137310 A1 5/2014 Malone

\* cited by examiner

*Primary Examiner* — Jasmine Mlinarcik

(74) *Attorney, Agent, or Firm* — Donald J. Ersler

(57) **CLAIM**

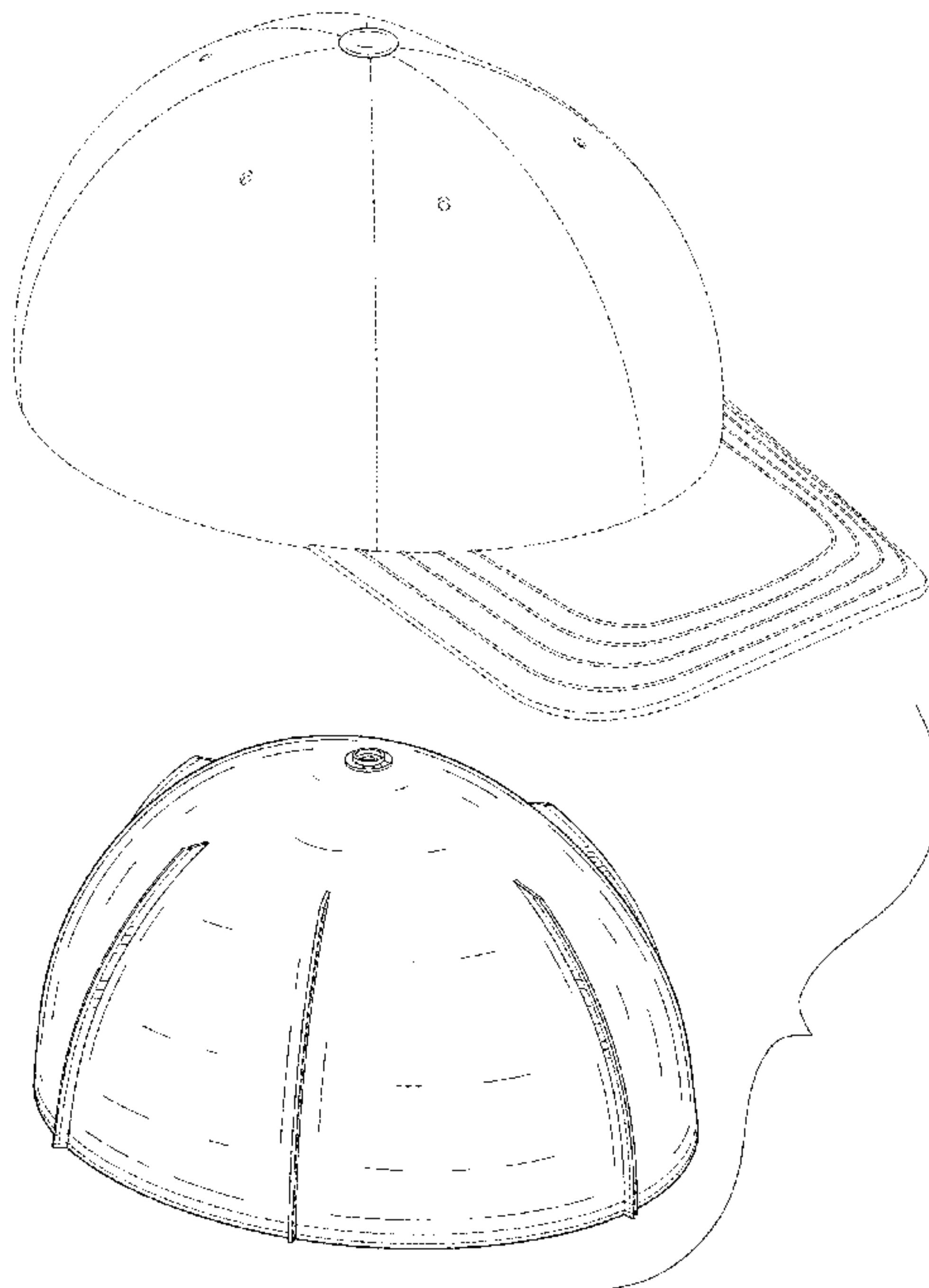
The ornamental design for a head covering with snap-in cooling insert, as shown and described.

**DESCRIPTION**

FIG. 1 is a top exploded perspective view of a head covering with snap-in cooling insert incorporating my new design; FIG. 2 is a bottom exploded perspective view thereof; FIG. 3 is a top exploded plan view thereof; FIG. 4 is a bottom exploded plan view thereof; FIG. 5 is a left exploded side view thereof; FIG. 6 is a right side view thereof; FIG. 7 is a front exploded view thereof; FIG. 8 is a rear view thereof; and, FIG. 9 is a cross sectional view thereof.

The broken lines shown in the drawings illustrate portions of the head covering with snap-in cooling insert that form no part of the claimed invention.

**1 Claim, 9 Drawing Sheets**



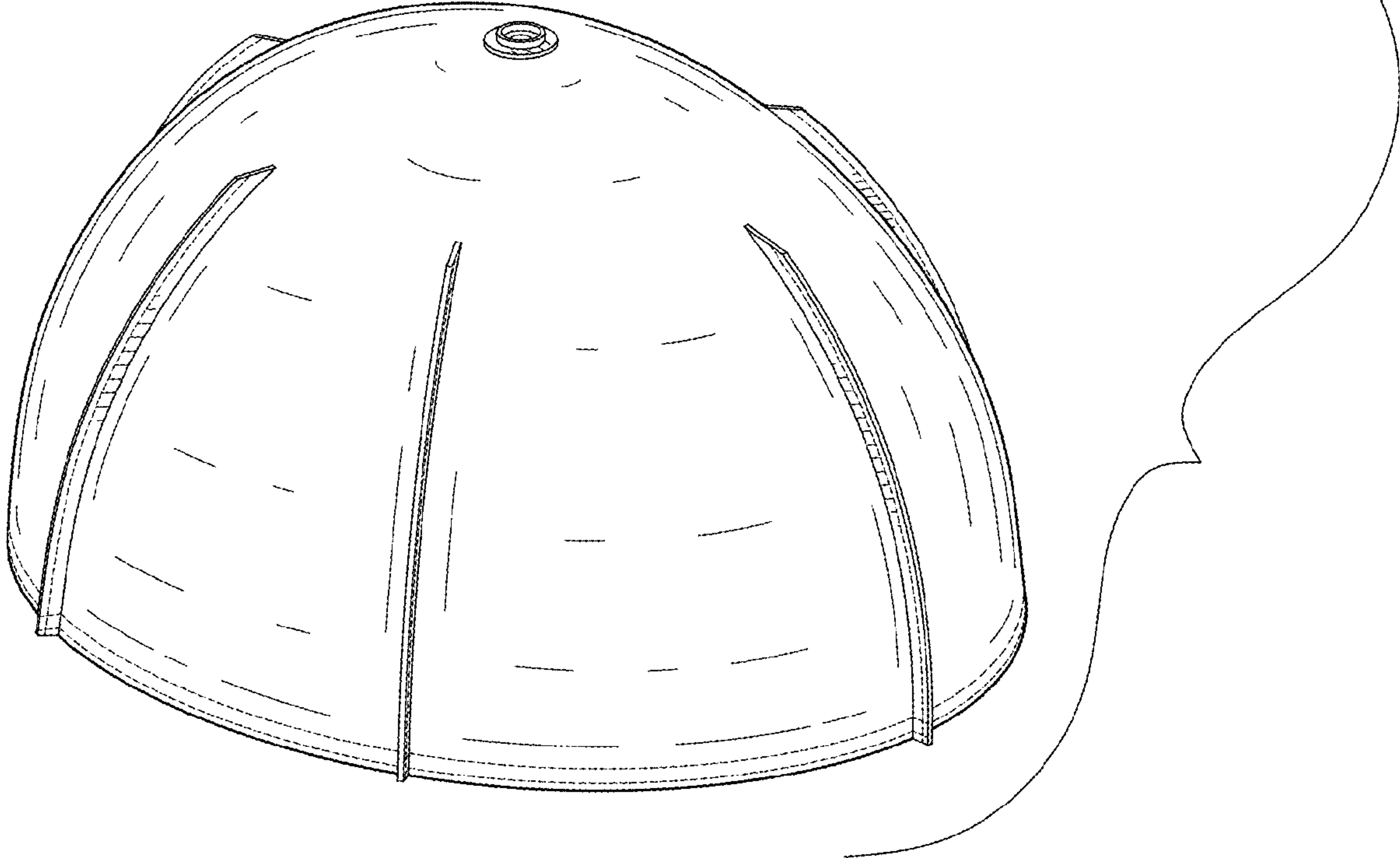
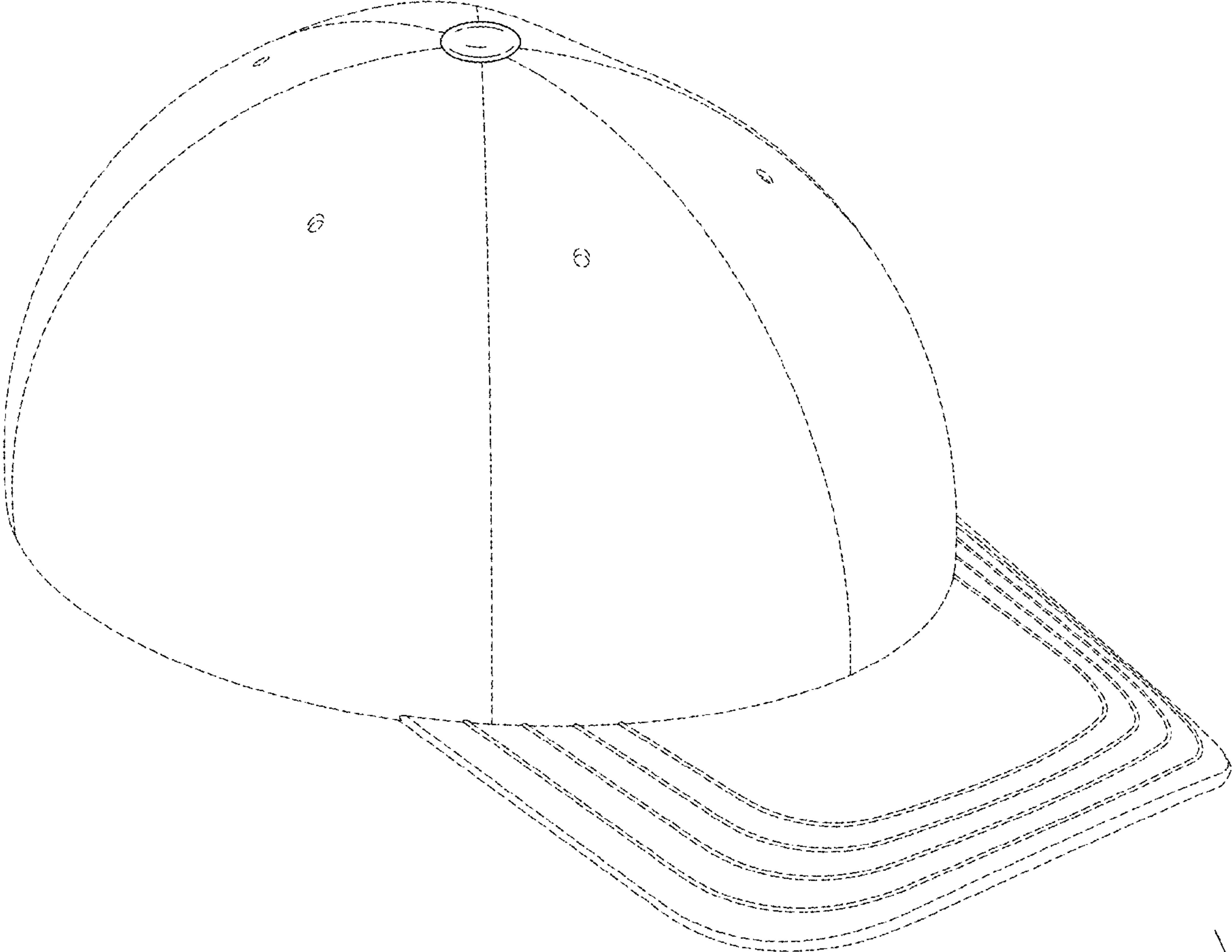


FIG. 1

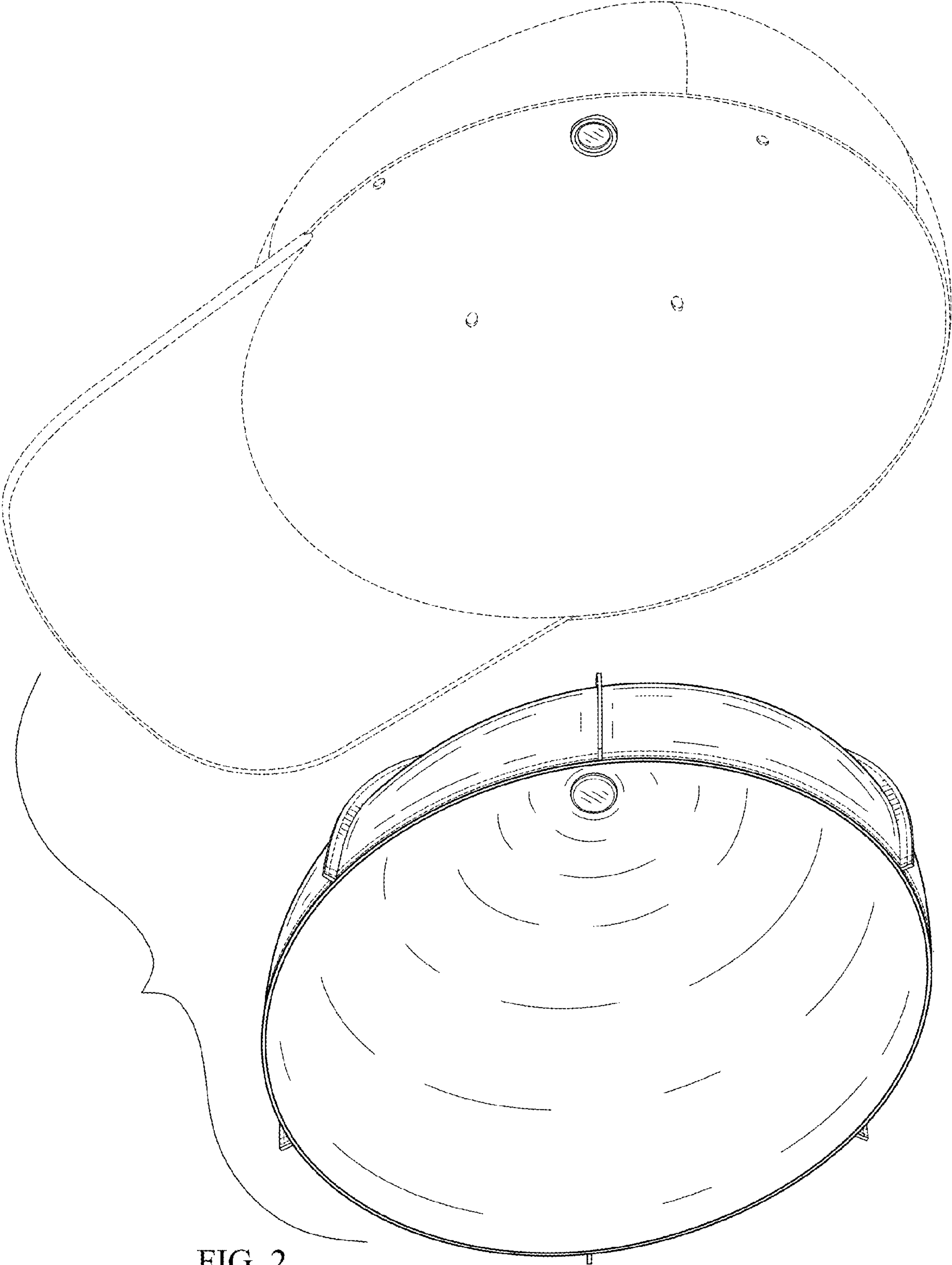


FIG. 2

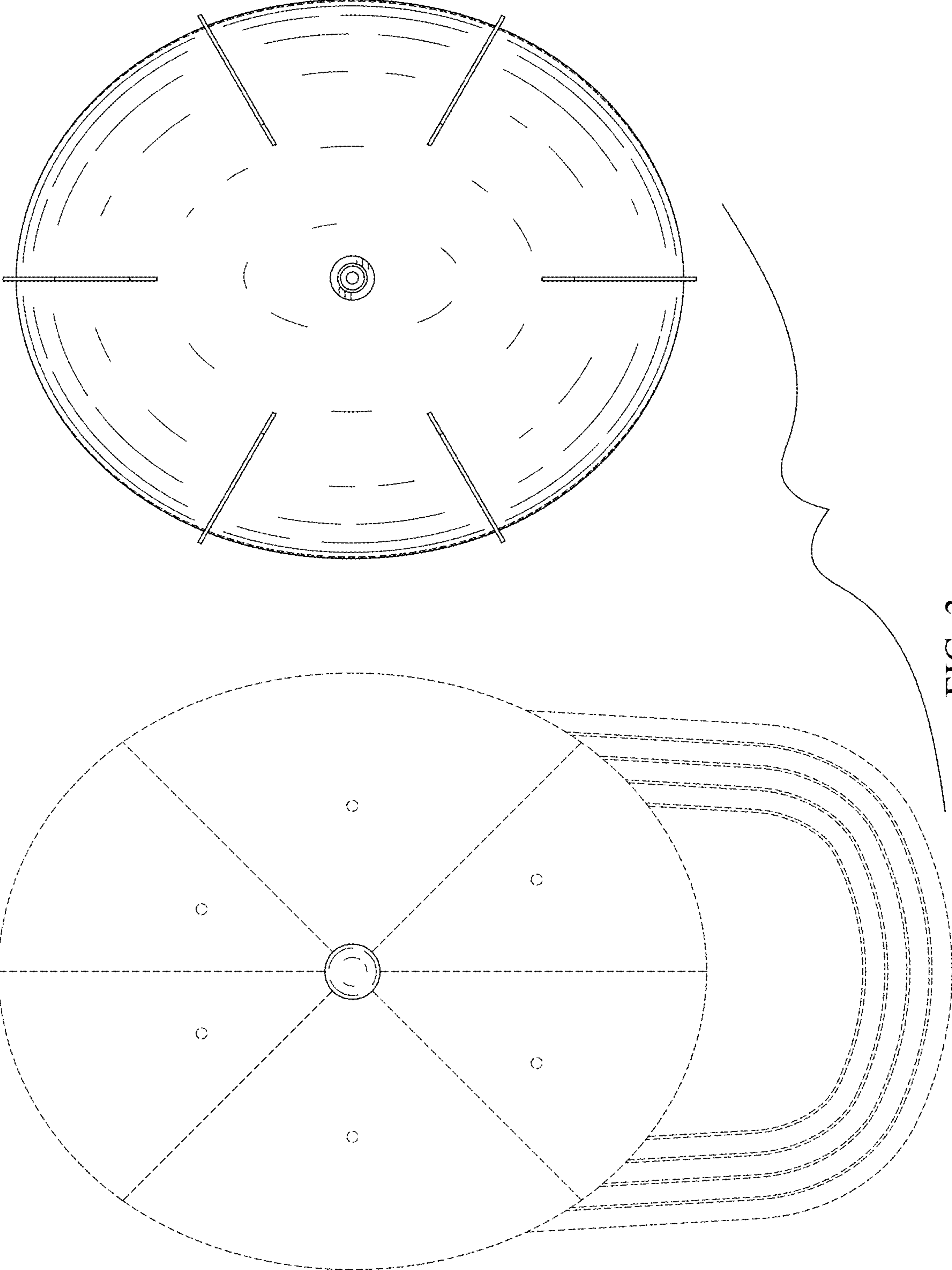


FIG. 3



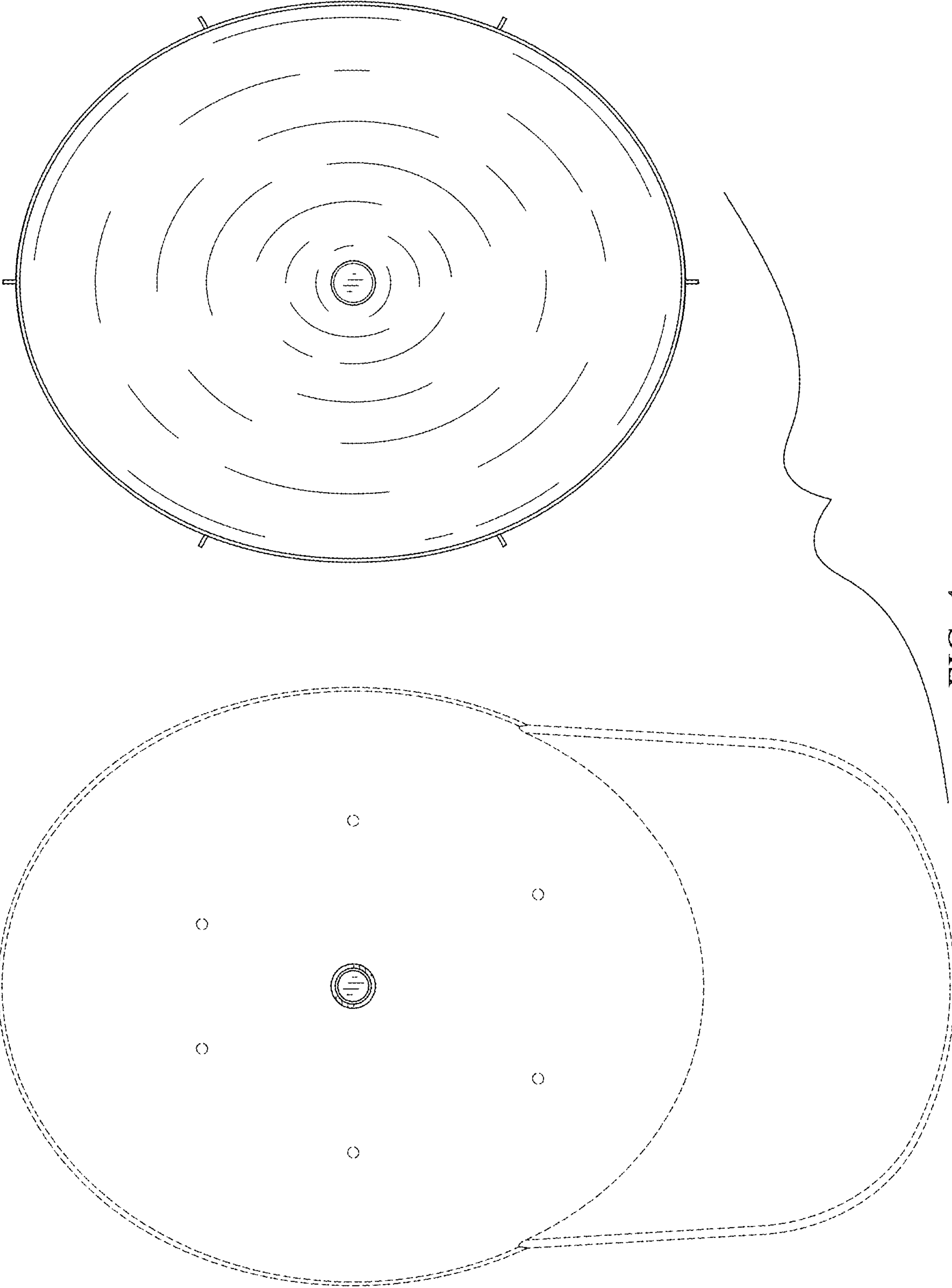


FIG. 4

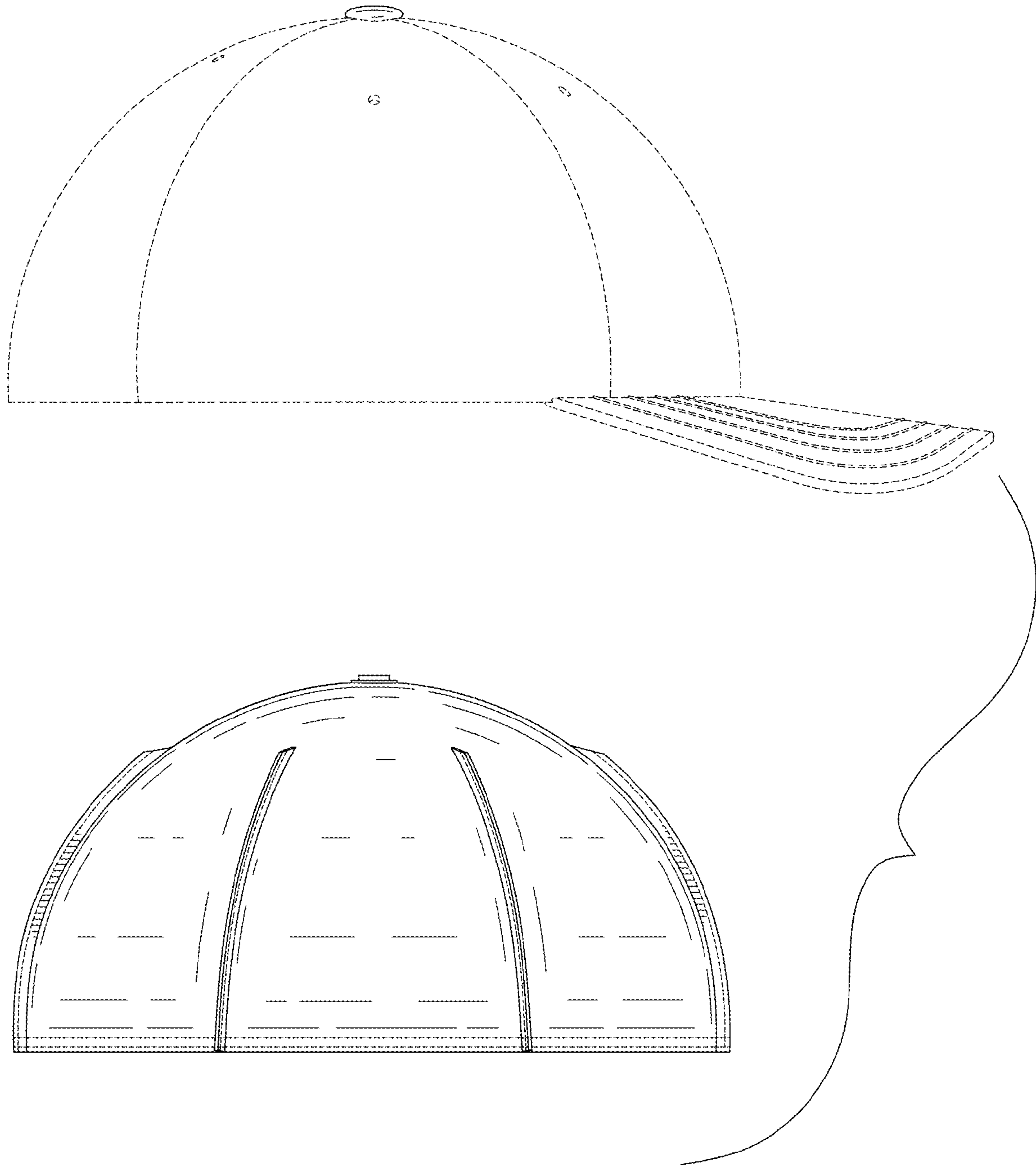


FIG. 5

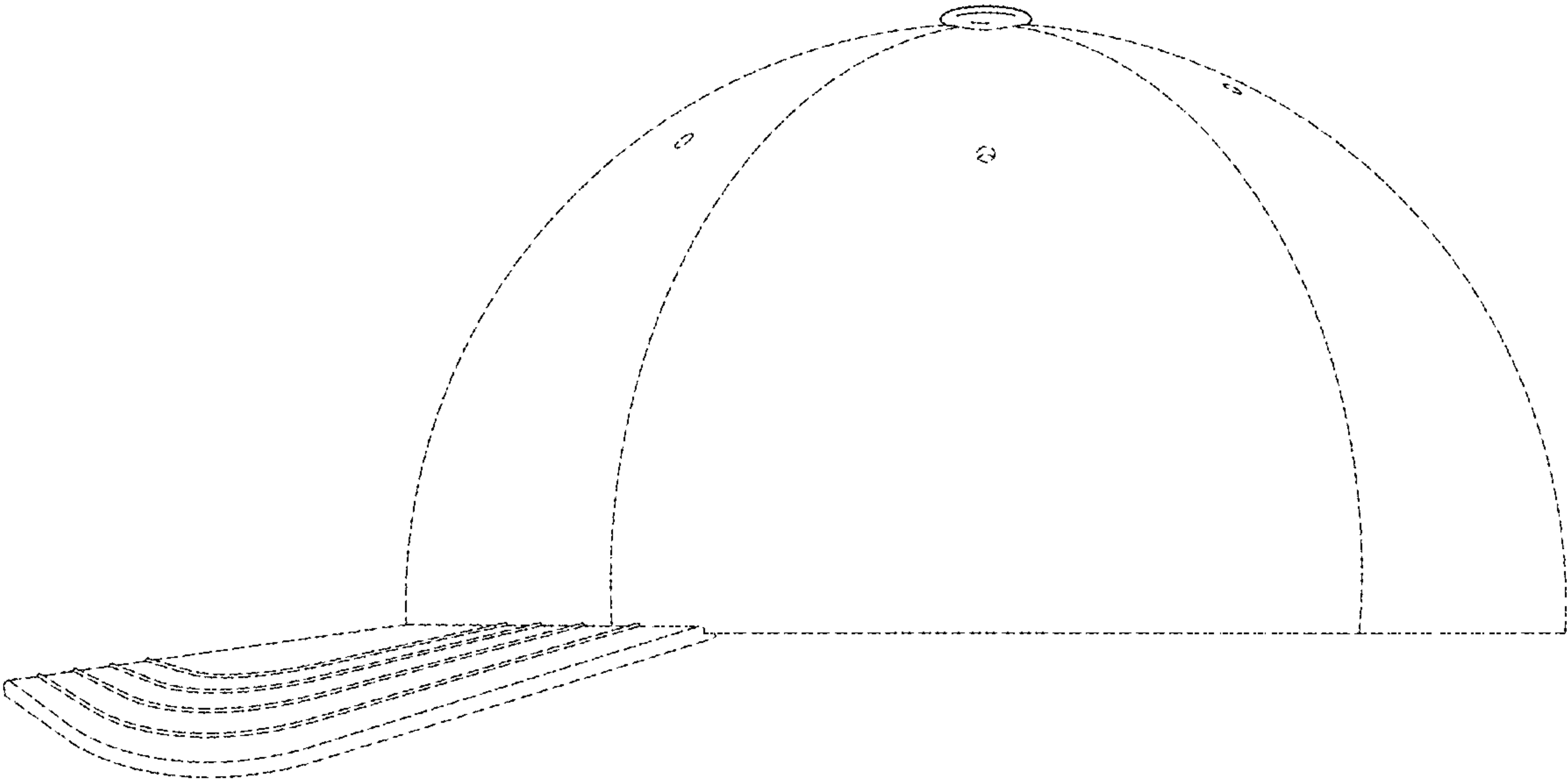


FIG. 6

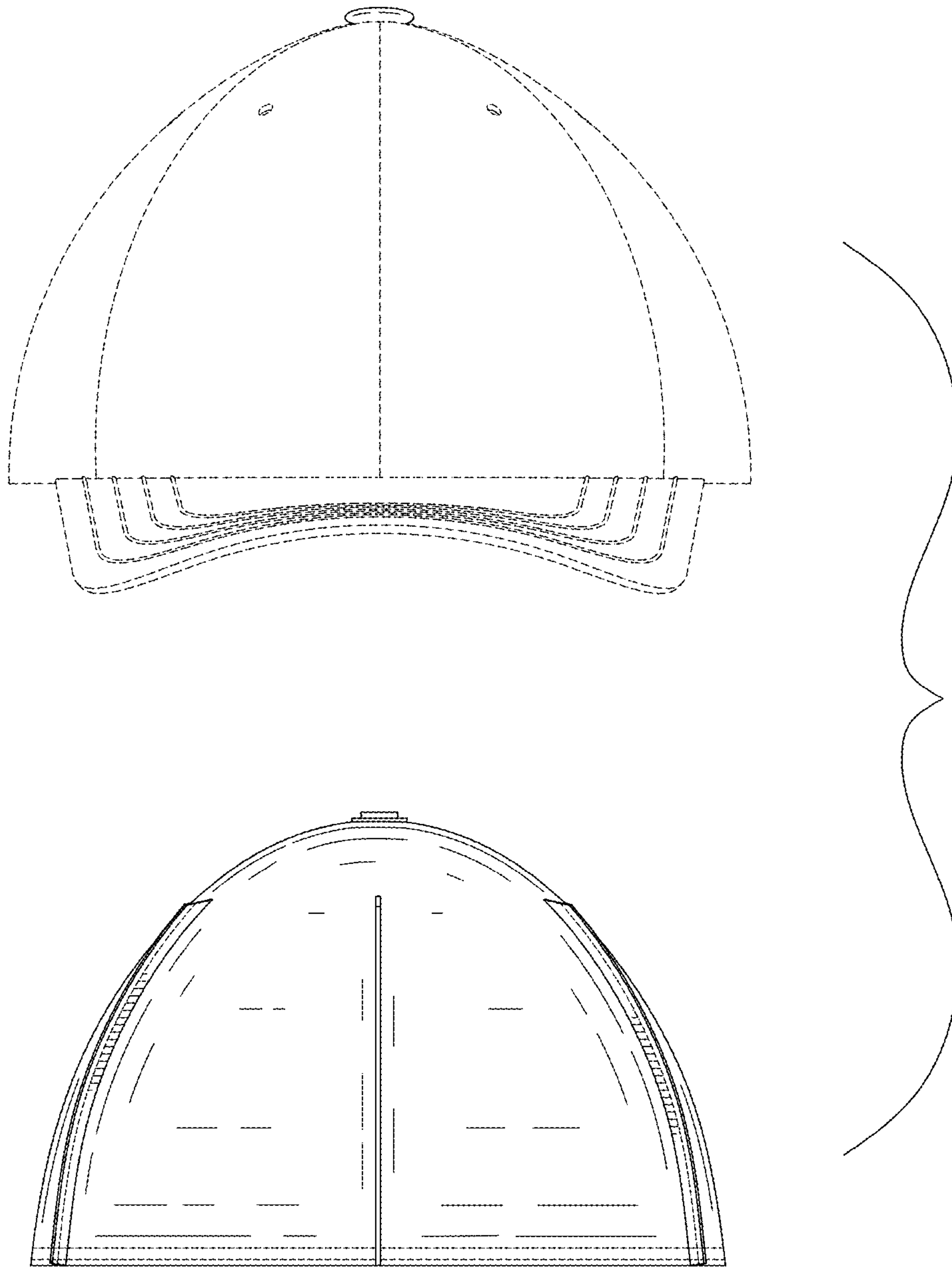


FIG. 7



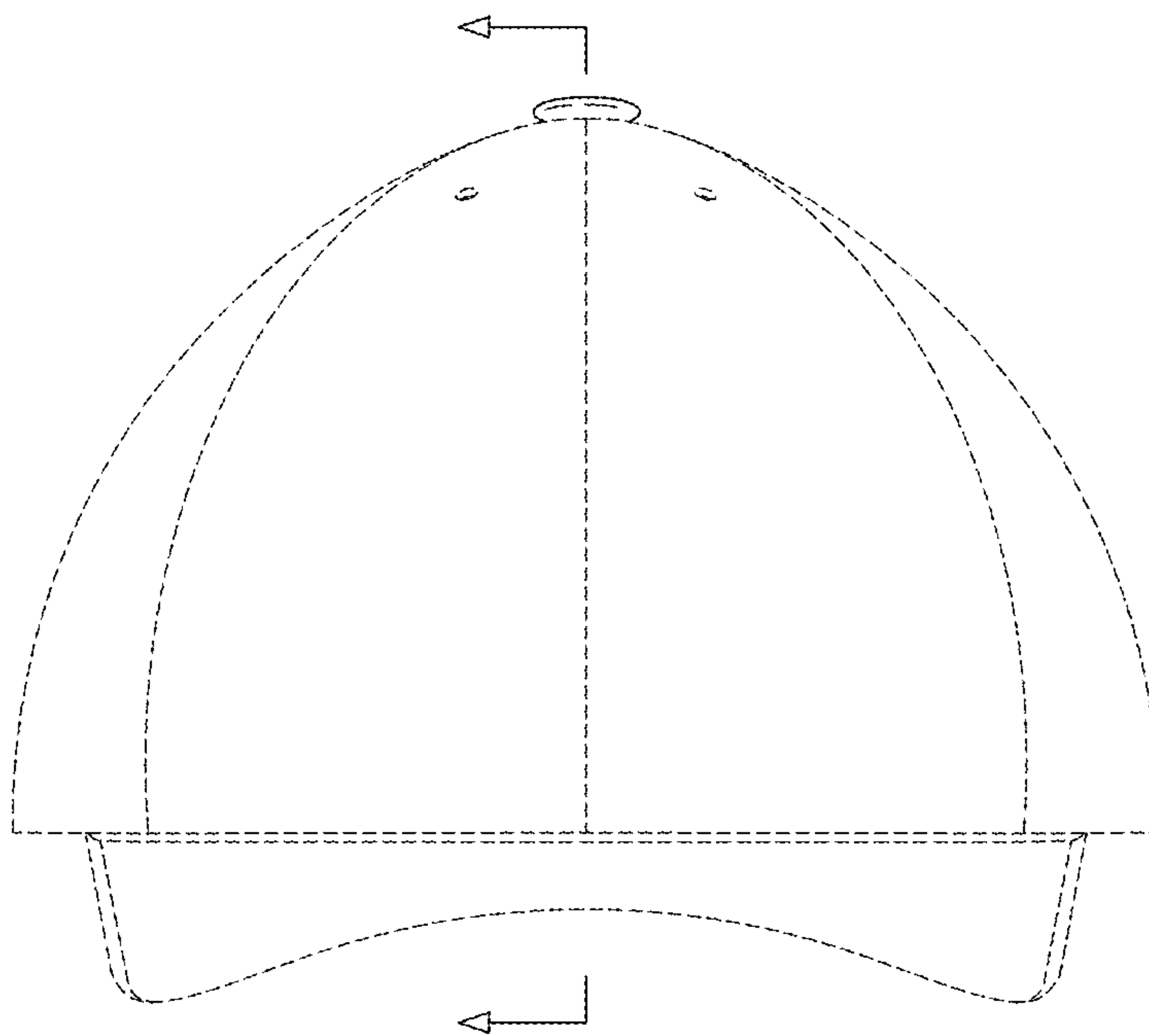


FIG. 8

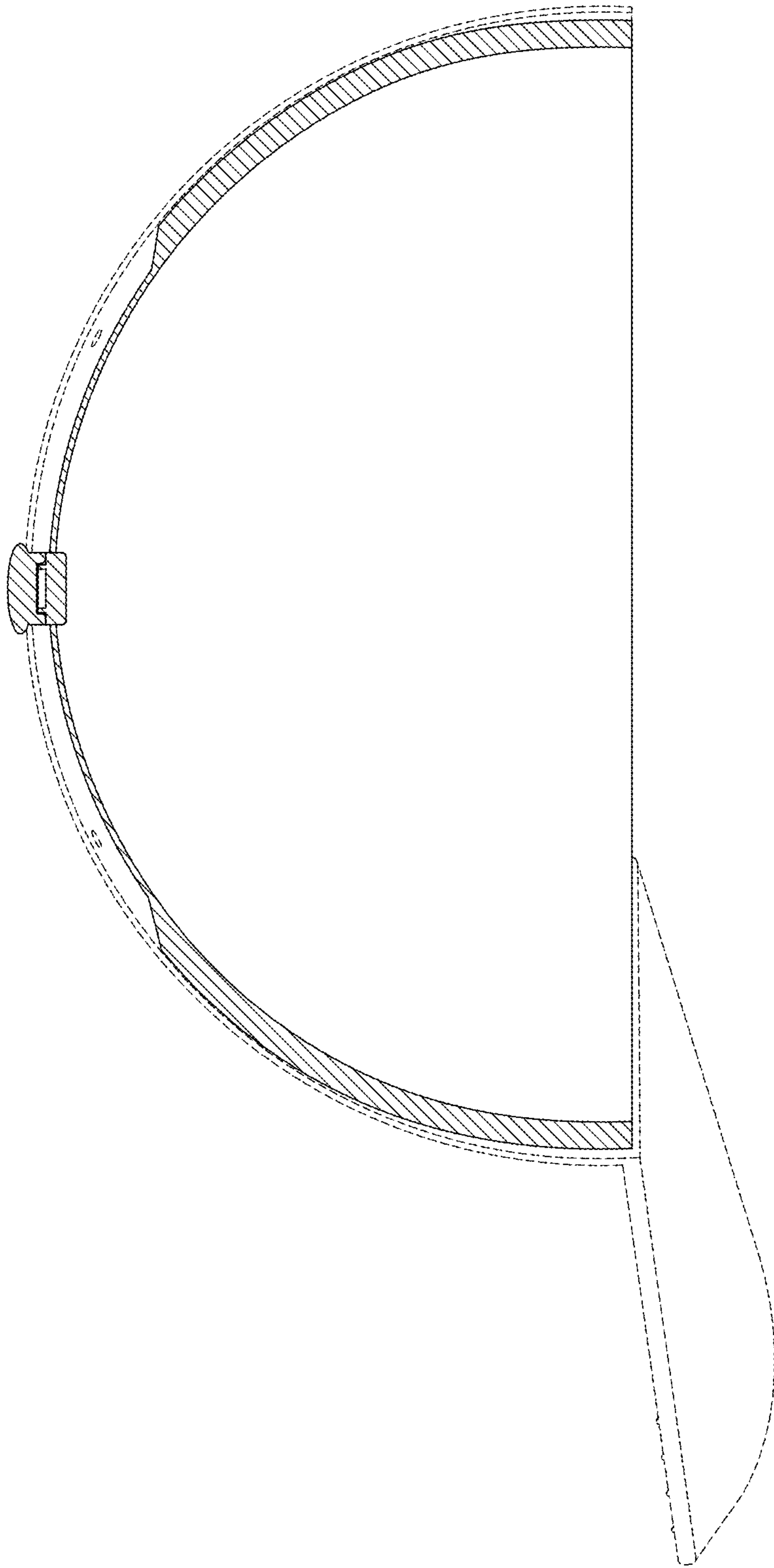


FIG. 9