



US00D932743S

(12) **United States Design Patent** (10) **Patent No.:** **US D932,743 S**  
**Abloh et al.** (45) **Date of Patent:** **\*\* Oct. 12, 2021**

(54) **CAP**  
(71) Applicant: **OFF-WHITE, LLC**, New York, NY (US)  
(72) Inventors: **Virgil Abloh**, New York, NY (US);  
**Maria Giulia Migliore**, Milan (IT)  
(73) Assignee: **OFF-WHITE, LLC**, New York, NY (US)  
(\*\*) Term: **15 Years**  
(21) Appl. No.: **29/737,149**  
(22) Filed: **Jun. 5, 2020**  
(51) **LOC (13) Cl.** ..... **02-03**  
(52) **U.S. Cl.**  
USPC ..... **D2/882**  
(58) **Field of Classification Search**  
USPC ..... D2/865, 866, 875, 876, 877, 878, 879,  
D2/880, 881, 882, 883, 884, 885, 886,  
D2/887, 888, 891, 893  
CPC ..... A42B 1/00; A42B 1/002; A42B 1/004;  
A42B 1/006; A42B 1/008; A42B 1/02;  
A42B 1/201; A42B 1/22; A42B 1/225;  
A42B 1/248; A42C 5/04  
See application file for complete search history.

(56) **References Cited**  
U.S. PATENT DOCUMENTS  
5,734,993 A \* 4/1998 D'Oca ..... A42B 1/248  
132/57.1  
D399,992 S \* 10/1998 Edmark ..... D2/880  
5,815,841 A \* 10/1998 Spangrud ..... A42B 1/004  
2/195.1  
D417,063 S \* 11/1999 Henning ..... D2/866  
D440,743 S \* 4/2001 Thornell ..... D2/882  
D460,244 S \* 7/2002 Coluccio ..... D2/881  
7,284,284 B2 \* 10/2007 Wysopal ..... A42B 1/24  
2/195.1  
D619,336 S \* 7/2010 Eyl ..... D2/866

D741,048 S \* 10/2015 Fitzpatrick ..... D2/872  
9,402,433 B2 \* 8/2016 York ..... A42B 1/22  
D911,677 S \* 3/2021 Israilov ..... D2/882  
2004/0117894 A1 \* 6/2004 Kuo ..... A42B 1/248  
2/209.13

(Continued)

**FOREIGN PATENT DOCUMENTS**

EM 008149413-0001 \* 10/2020

**OTHER PUBLICATIONS**

Off-White hat, [online]; [internet publication date unknown]; [retrieved from the Internet on May 21, 2021]; URL: <https://www.grailed.com/listings/20190230-off-white-hole-hat-meteor-baseball-cap-off-white>. (4 pgs). (Year: 2021).\*

(Continued)

*Primary Examiner* — Jasmine Mlinarcik  
(74) *Attorney, Agent, or Firm* — Epstein Drangel LLP;  
Robert L. Epstein

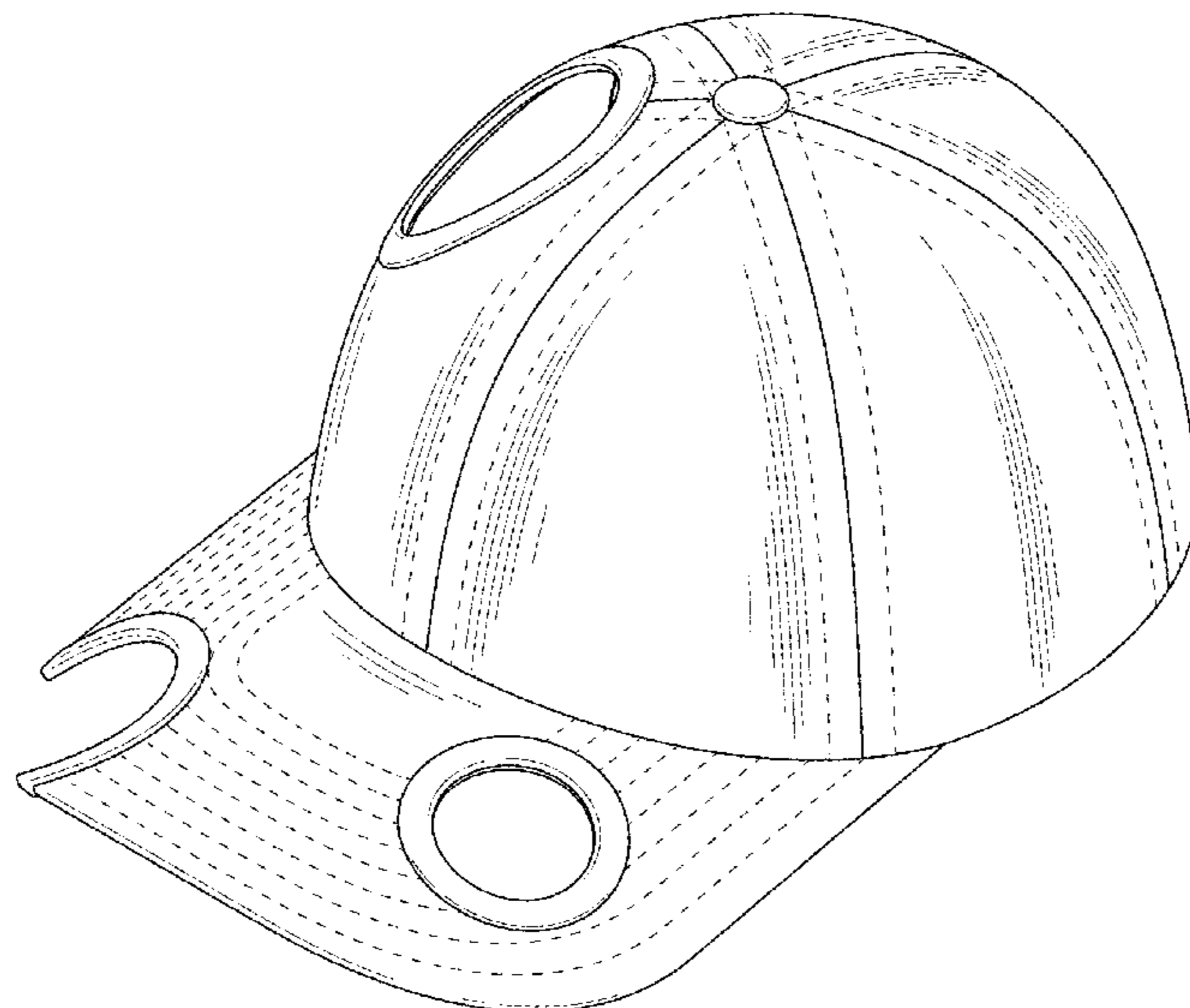
(57) **CLAIM**

The ornamental design for a cap, substantially as shown and described.

**DESCRIPTION**

FIG. 1 is an isometric view of the cap showing the top, front and right side of our design;  
FIG. 2 is an isometric view showing the bottom, rear and left side thereof;  
FIG. 3 is a front elevation view thereof;  
FIG. 4 is a rear elevation view thereof;  
FIG. 5 is an elevation view of the left side thereof;  
FIG. 6 is an elevation view of the right side thereof;  
FIG. 7 is a top plan view thereof; and,  
FIG. 8 is a bottom plan view thereof.  
The broken lines along the surface of the cap depict features of the article that form no part of the claimed design.

**1 Claim, 6 Drawing Sheets**



(56)

**References Cited**

U.S. PATENT DOCUMENTS

2011/0099690 A1\* 5/2011 Higgins ..... A42C 1/00  
2/171

OTHER PUBLICATIONS

Twitter Post, [online]; [published to the internet on Apr. 2, 2021];  
[retrieved from the internet on May 21, 2021]; URL: <https://preview.redd.it/lxgddpvg15u61.jpg?width=828&format=pjpg&auto=webp&s=c012e360b64837ea34ca151e1f2f2c3bc5cef7d7>. (1 pg). (Year: 2021).\*

\* cited by examiner

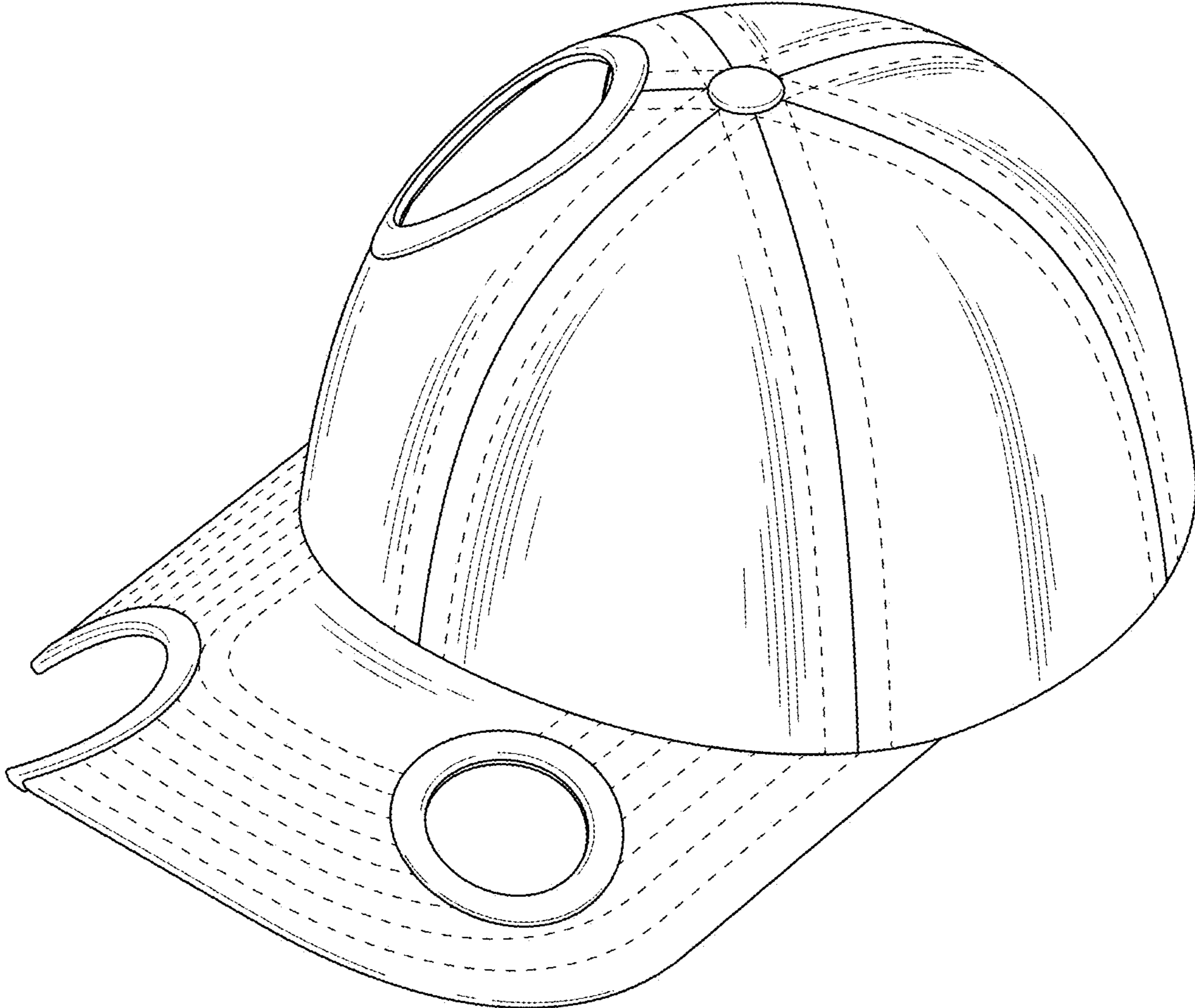


FIG. 1

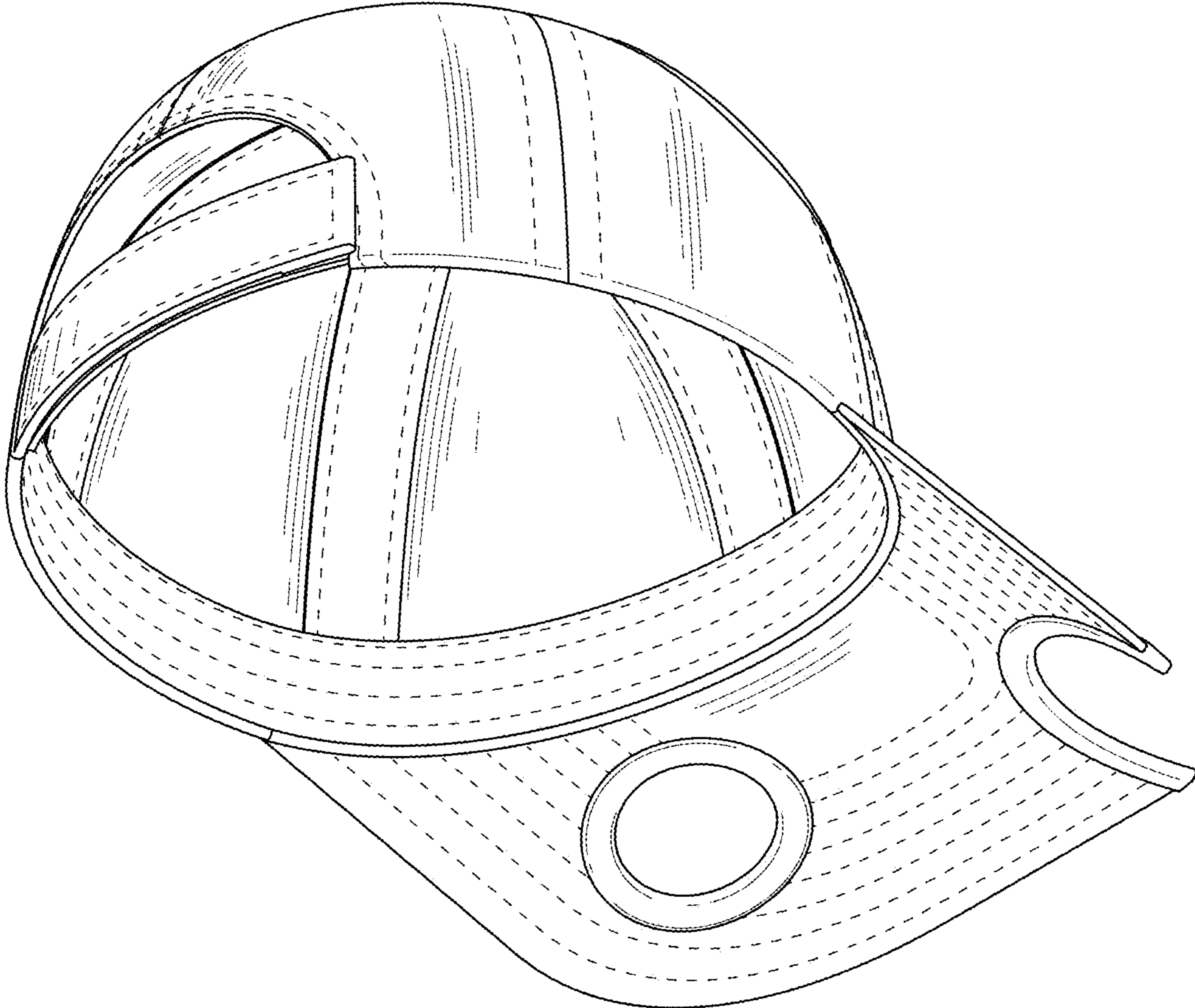


FIG. 2



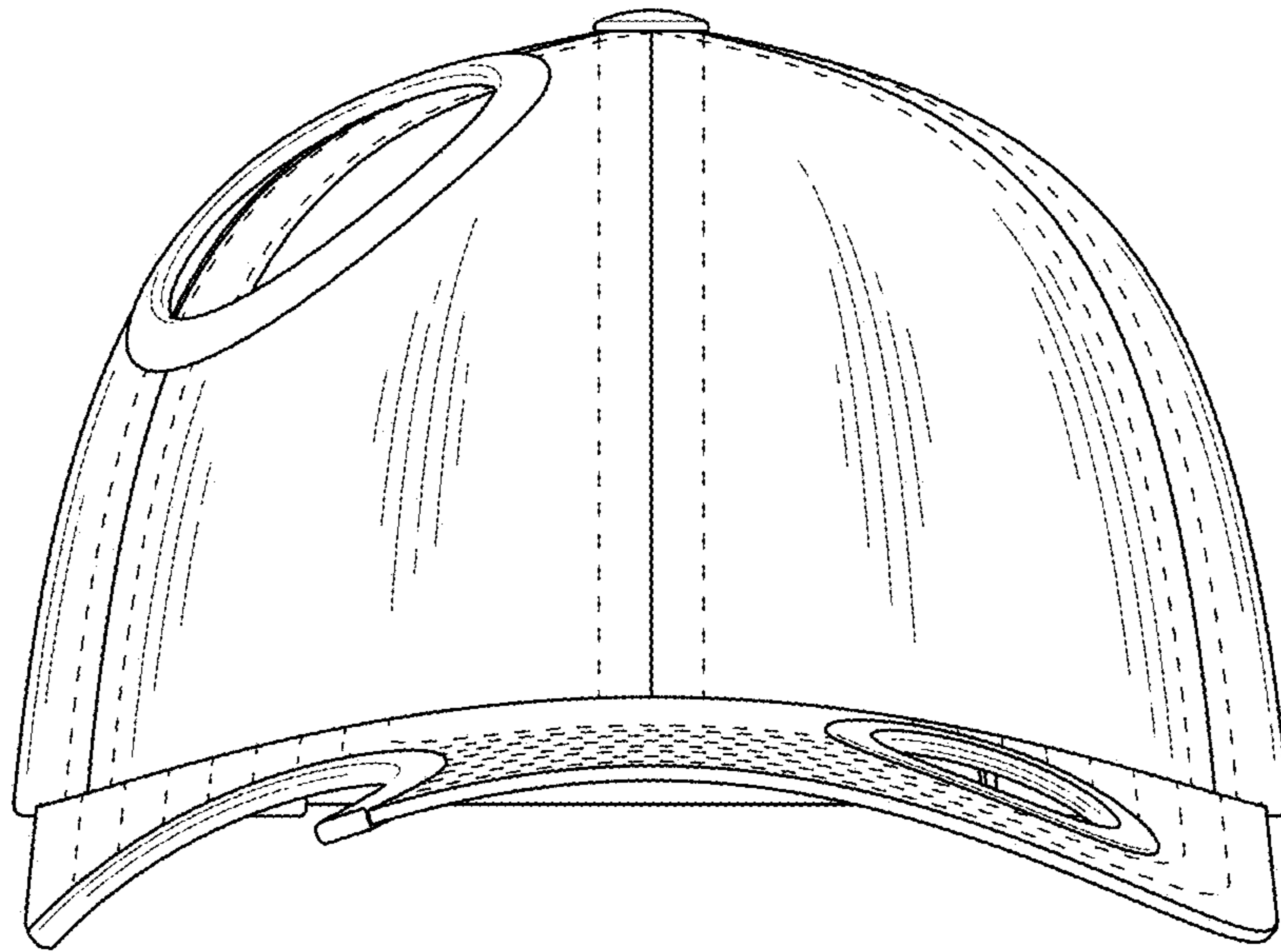


FIG. 3

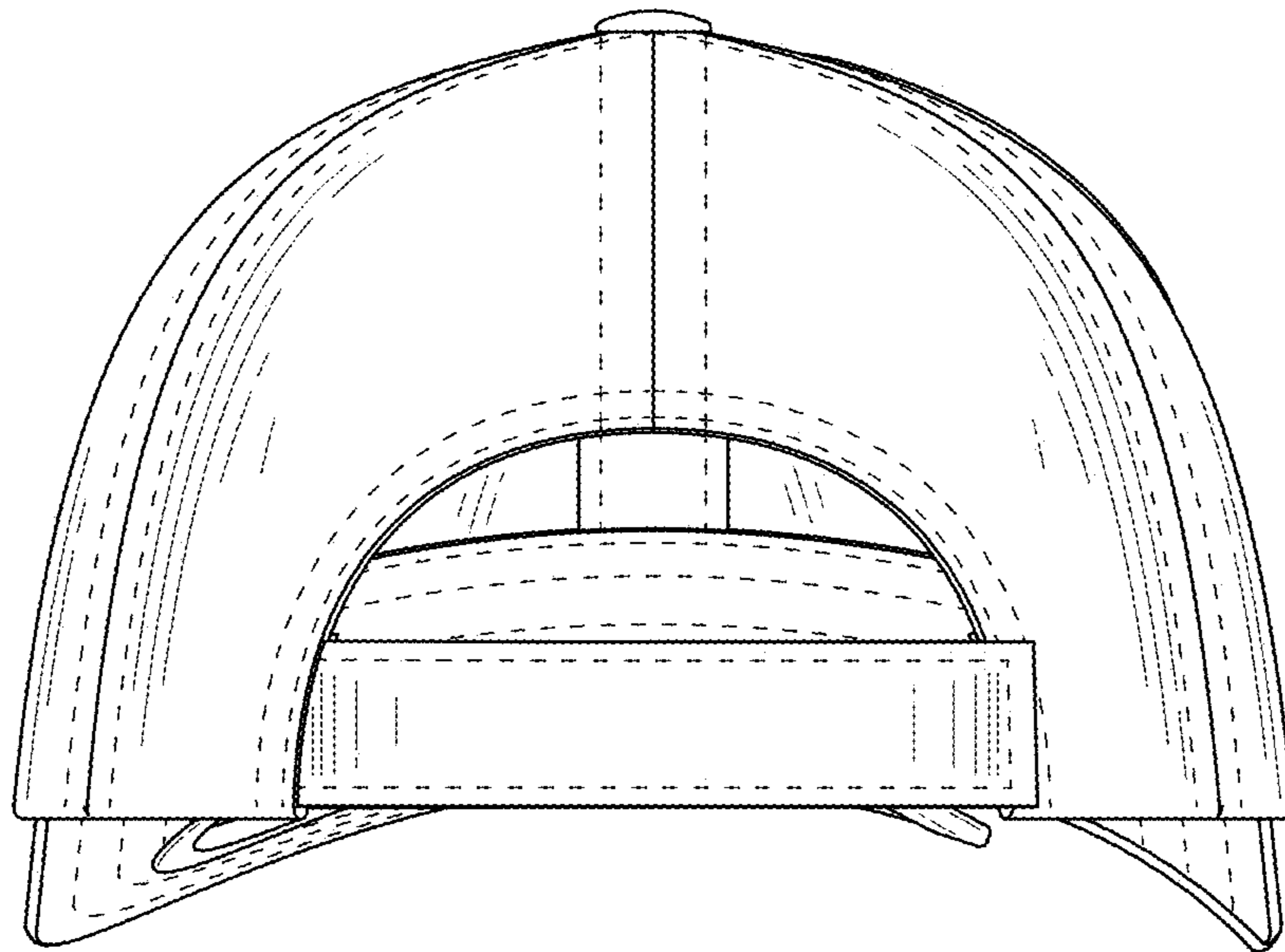


FIG. 4

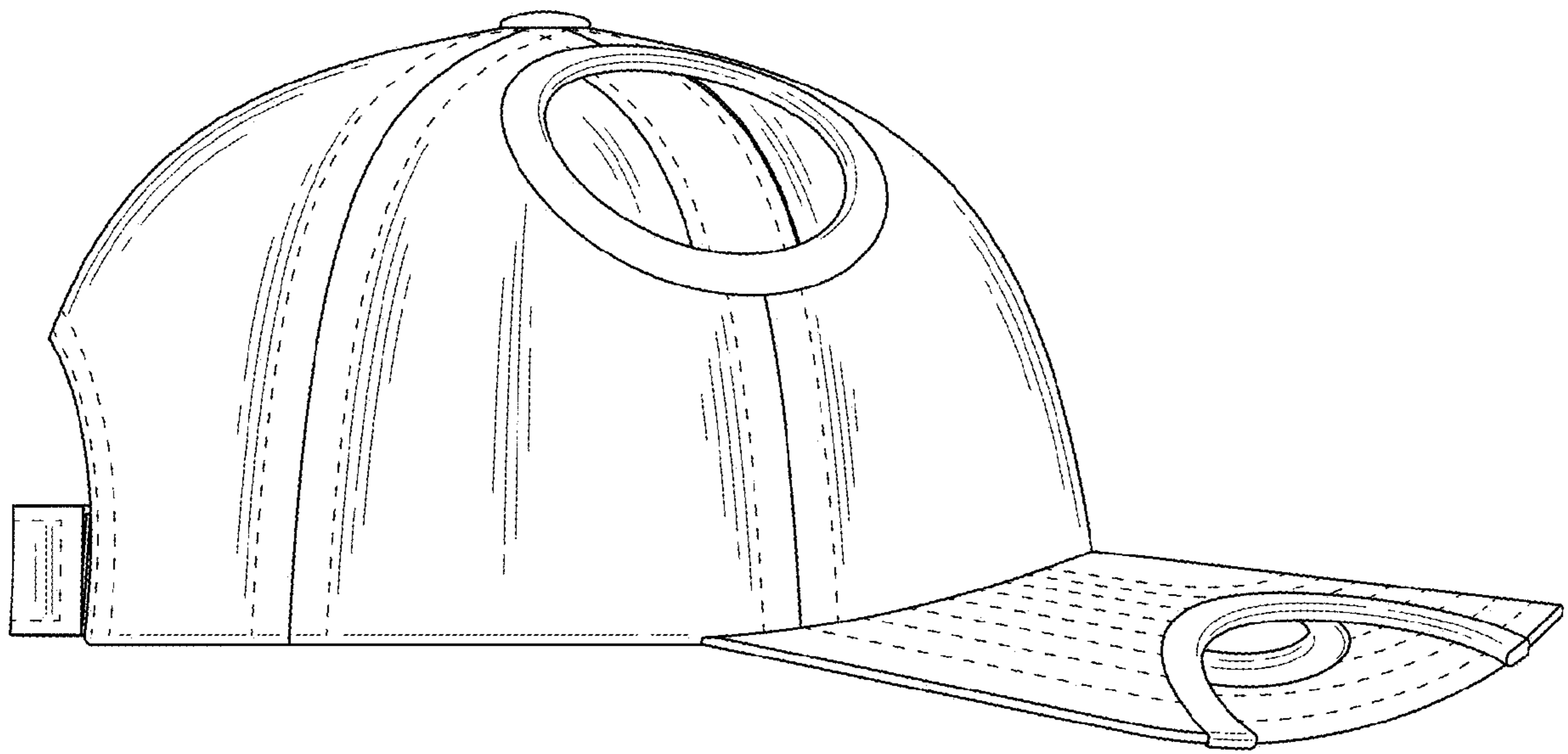


FIG. 5

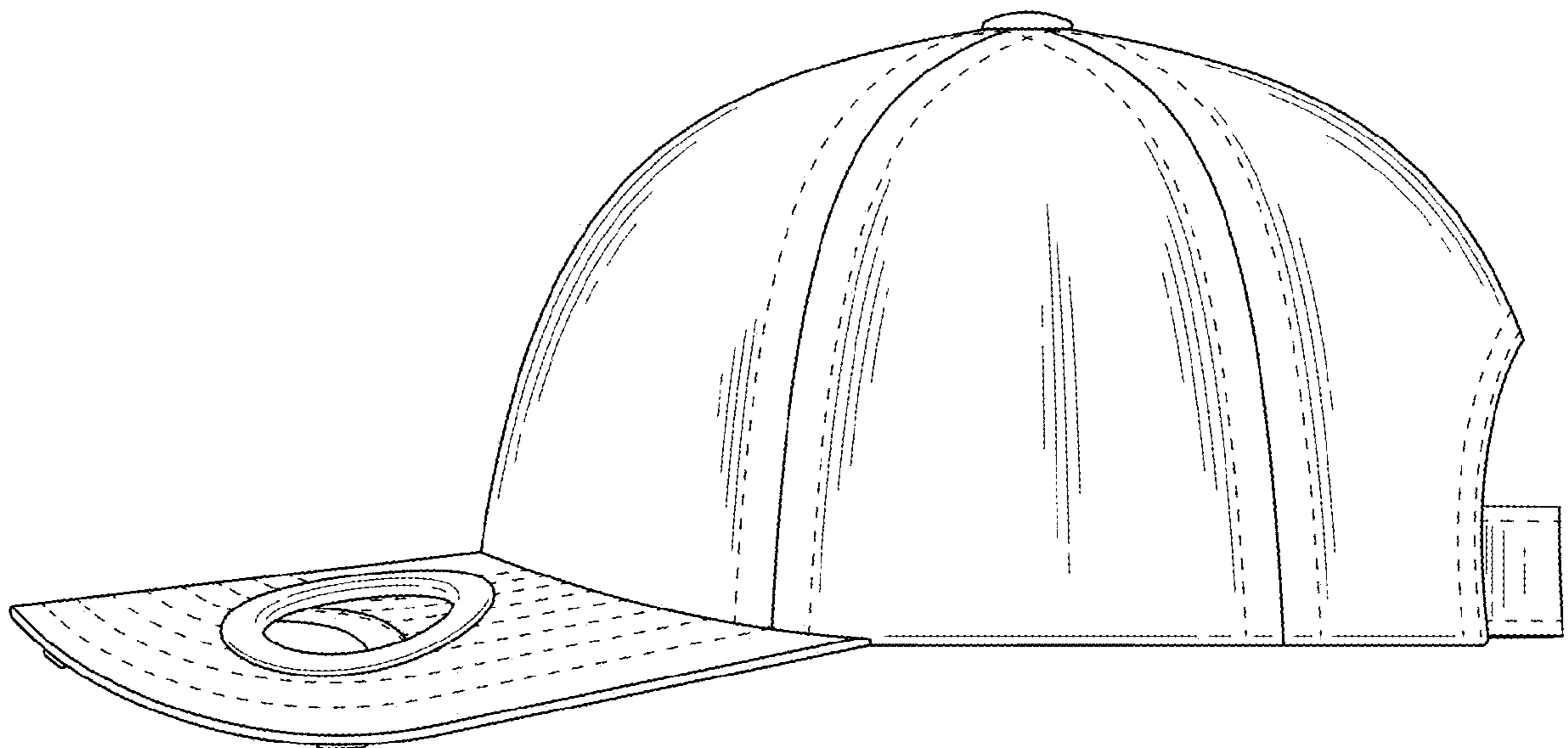


FIG. 6

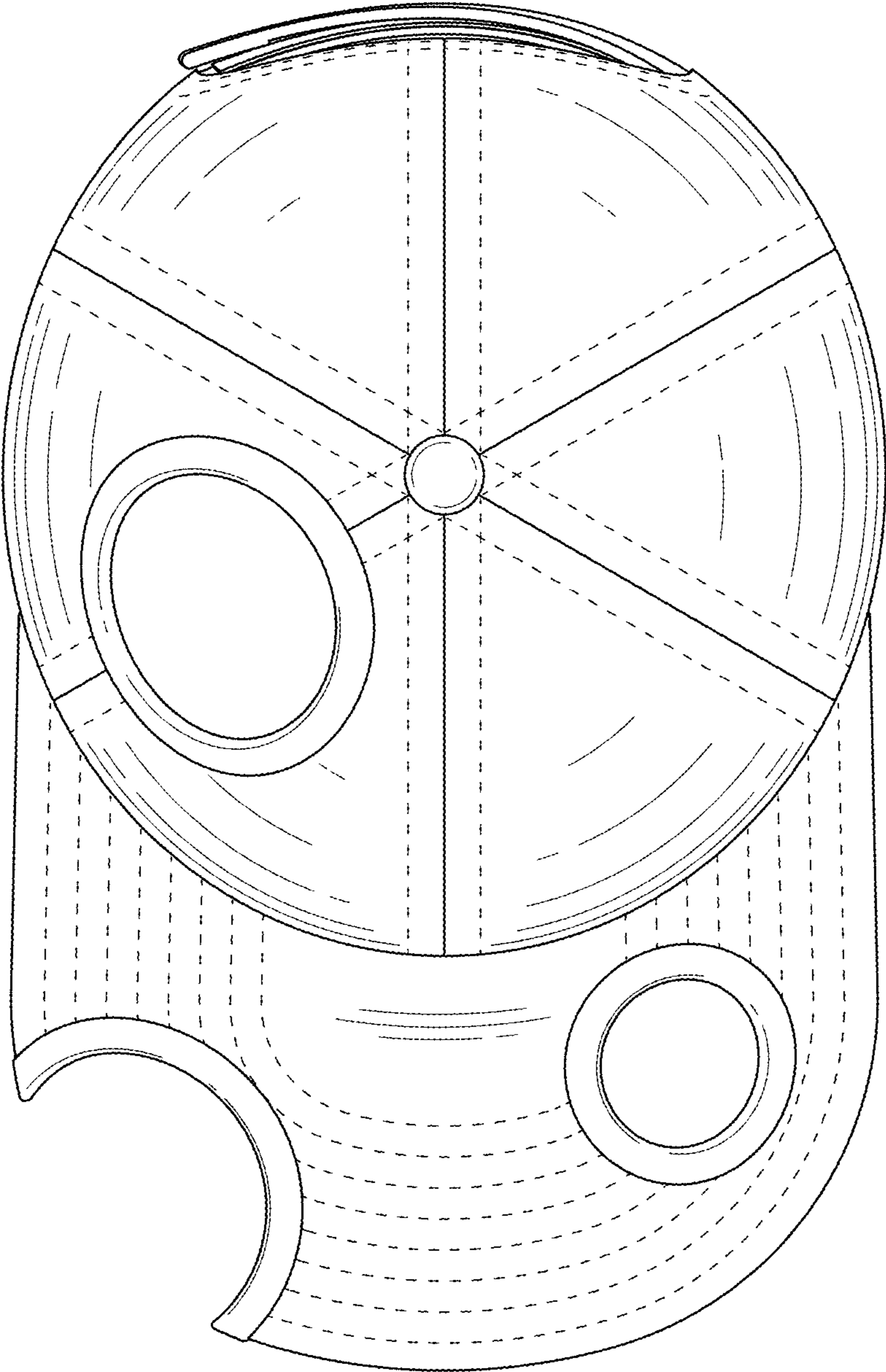


FIG. 7

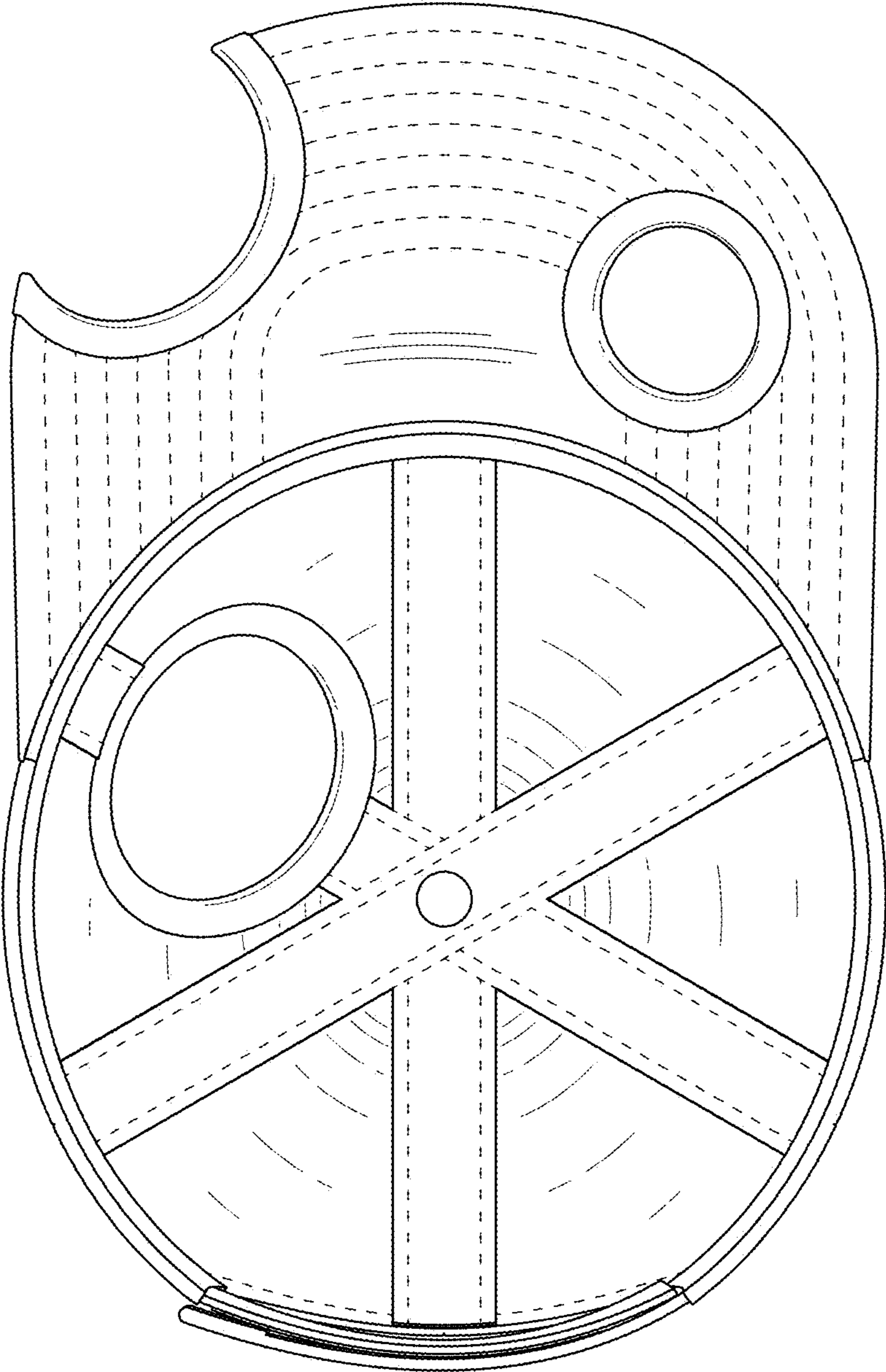


FIG. 8