



US00D932737S

(12) **United States Design Patent**
Park

(10) **Patent No.:** **US D932,737 S**

(45) **Date of Patent:** **** Oct. 12, 2021**

- (54) **CONVERTIBLE HEM**
- (71) Applicant: **Title 9 Sports, Inc.**, Emeryville, CA (US)
- (72) Inventor: **Lillian H. Park**, Berkeley, CA (US)
- (**) Term: **15 Years**
- (21) Appl. No.: **29/717,086**
- (22) Filed: **Dec. 13, 2019**
- (51) **LOC (13) Cl.** **02-02**
- (52) **U.S. Cl.**
USPC **D2/757**
- (58) **Field of Classification Search**
USPC D2/502, 611, 705, 707, 720, 725, 728,
D2/733, 735, 752, 756, 757, 759, 760,
D2/762, 764, 773, 774, 776, 777, 779,
D2/780, 781, 782, 785, 786, 787, 790,
D2/791, 792, 795, 796, 800, 801, 804,
D2/811, 813, 814, 815, 817, 819, 821,
D2/822, 823, 826, 828, 830, 833, 834,
D2/836, 837, 839, 851, 852, 853, 858
CPC A41D 1/22; A41D 15/002; A41D 15/00;
A41D 15/005; A41D 2400/38; A41D 1/21
See application file for complete search history.

- D749,820 S * 2/2016 Lombardo D2/745
- 9,936,745 B2 4/2018 Faddoul
- D829,405 S * 10/2018 Gvasalia A41D 15/02
D2/602
- D853,087 S * 7/2019 Yamamoto A41D 27/208
D2/853

(Continued)

Primary Examiner — Kevin K Rudzinski
Assistant Examiner — Amber J Rabie
(74) *Attorney, Agent, or Firm* — Dascenzo Gates
Intellectual Property Law, P.C.

(57) **CLAIM**

The ornamental design for a convertible hem, as shown and described.

DESCRIPTION

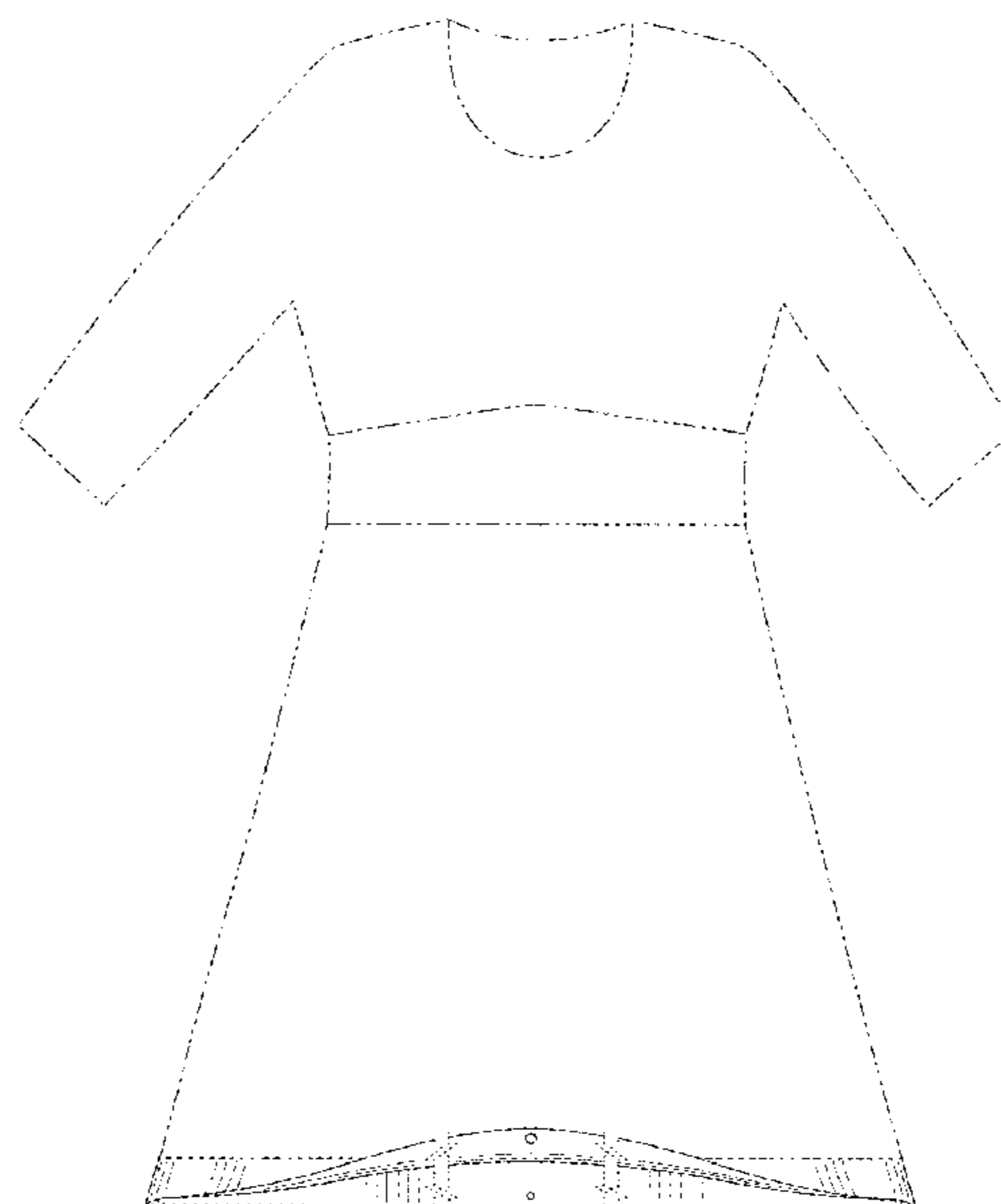
FIG. 1 is a perspective view of my convertible hem showing the new design in an unsnapped position;
FIG. 2 is a perspective view showing the convertible hem in a snapped position;
FIG. 3 is a front view with the front edge of the hem flipped up to show the positioning of the snaps inside the dress;
FIG. 4 is a front view with the hem in unsnapped position;
FIG. 5 is a bottom view of FIG. 4 with the hem unsnapped;
FIG. 6 is a close-up view of FIG. 5 with the hem in an unsnapped position;
FIG. 7 is a front view showing the convertible hem in a snapped position;
FIG. 8 is a bottom view of FIG. 7 with the hem in a snapped position; and,
FIG. 9 is a close-up view of FIG. 8 with the hem in a snapped position.
The broken lines are for environmental purposes only and form no part of the claimed design. The convertible hem is shown with a symbolic break in its length. The appearance of any portion of the article between the break lines forms no part of the claimed design.

1 Claim, 7 Drawing Sheets

(56) **References Cited**

U.S. PATENT DOCUMENTS

- 1,629,561 A * 5/1927 Wellstatter A41D 15/02
2/213
- 3,013,274 A * 12/1961 Dike A41D 7/008
2/69
- 3,218,651 A * 11/1965 Yesayan A41D 15/00
2/211
- 4,106,125 A * 8/1978 Palumbo A41D 15/02
2/213
- D693,992 S * 11/2013 Dinunzio A41D 15/02
D2/853



(56)

References Cited

U.S. PATENT DOCUMENTS

2003/0200633 A1* 10/2003 Kimoto A44B 17/0058
24/114.4
2004/0006805 A1* 1/2004 Broeksmit A41D 13/0002
2/80
2010/0125930 A1* 5/2010 Burrell, IV A41B 13/08
2/75
2019/0159531 A1* 5/2019 Caro A41D 27/208

* cited by examiner

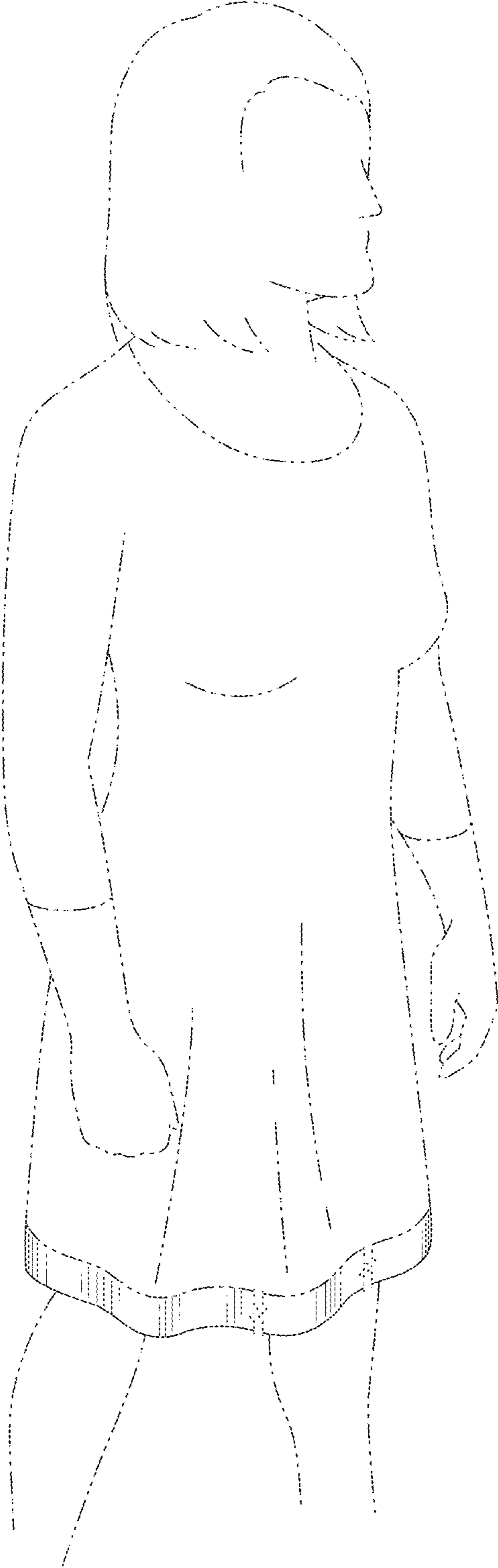


FIG. 1

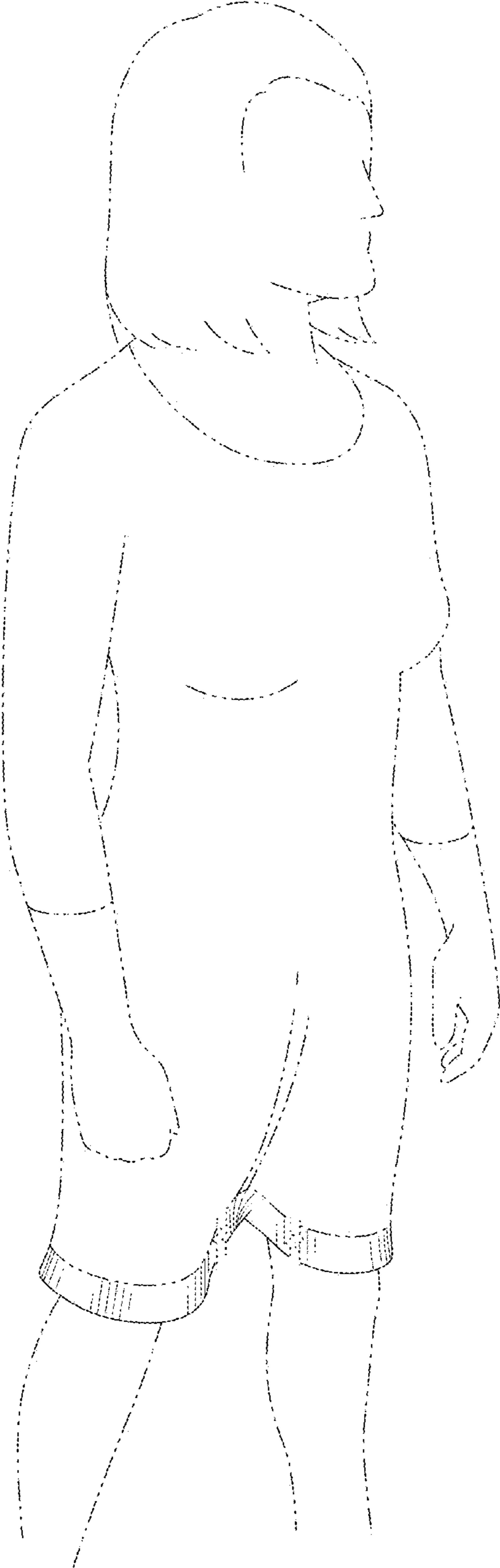


FIG. 2

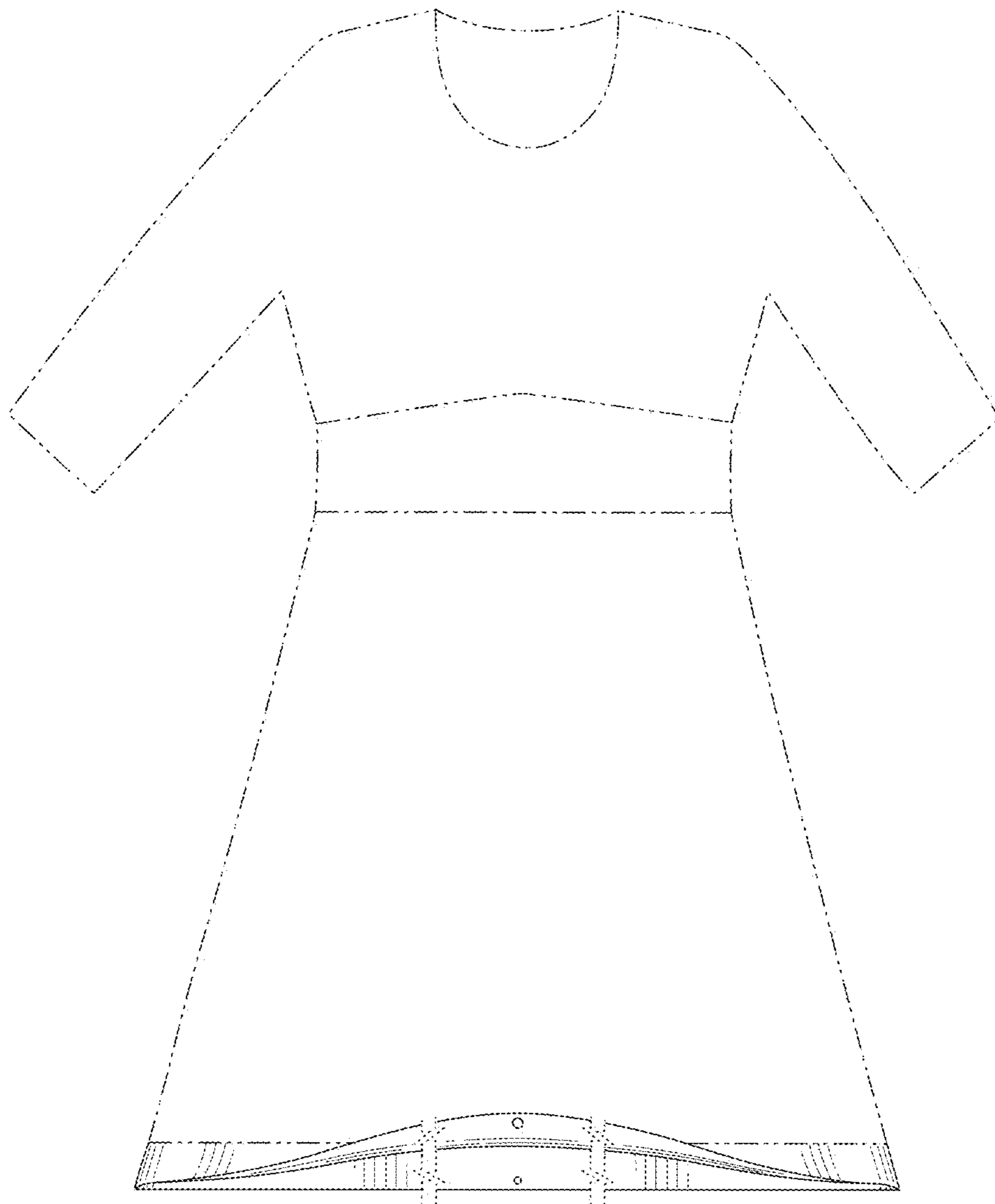


FIG. 3

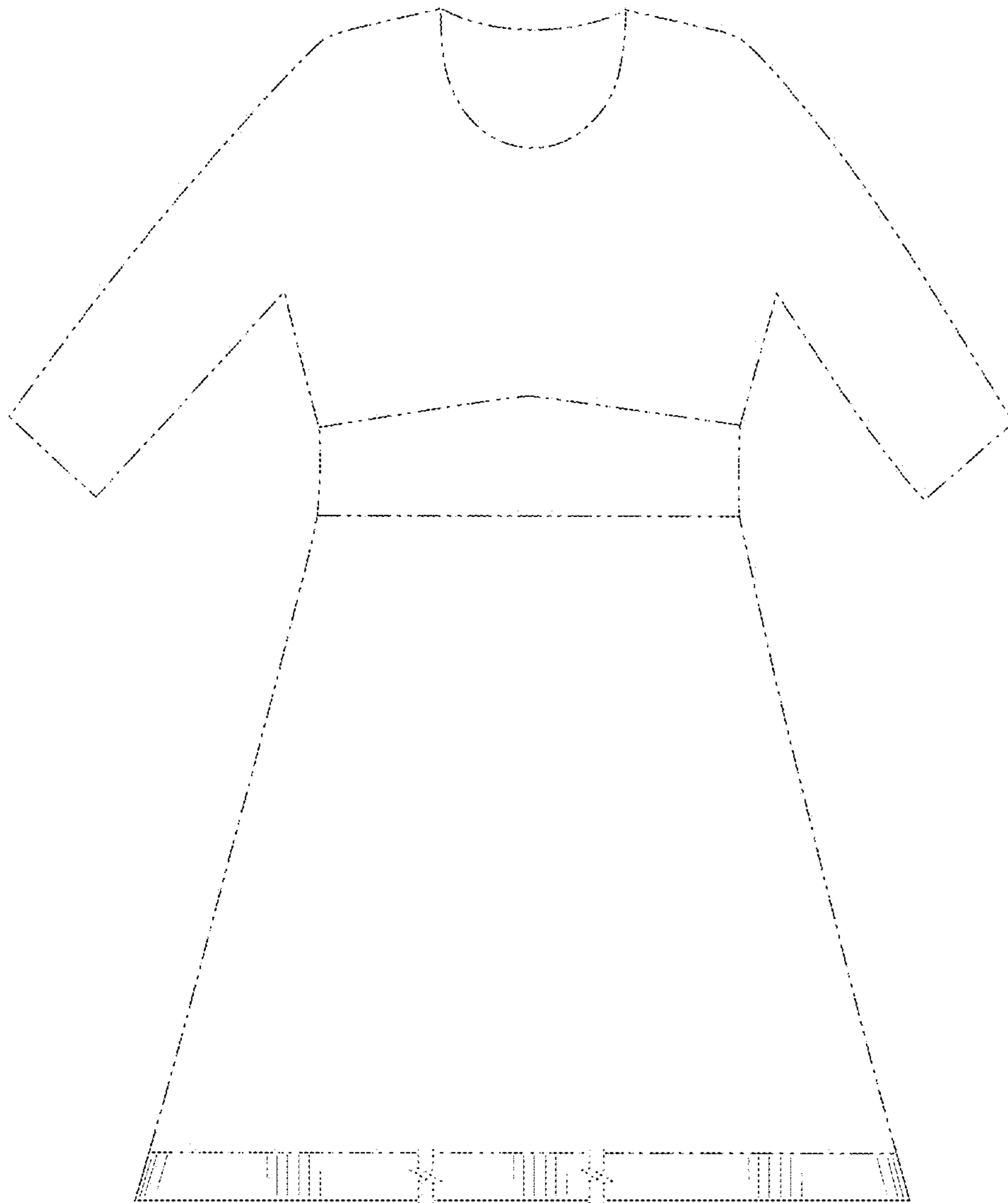


FIG. 4

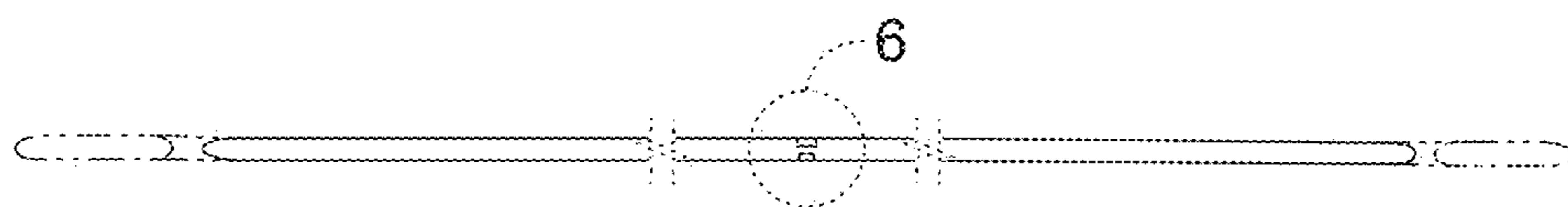


FIG. 5

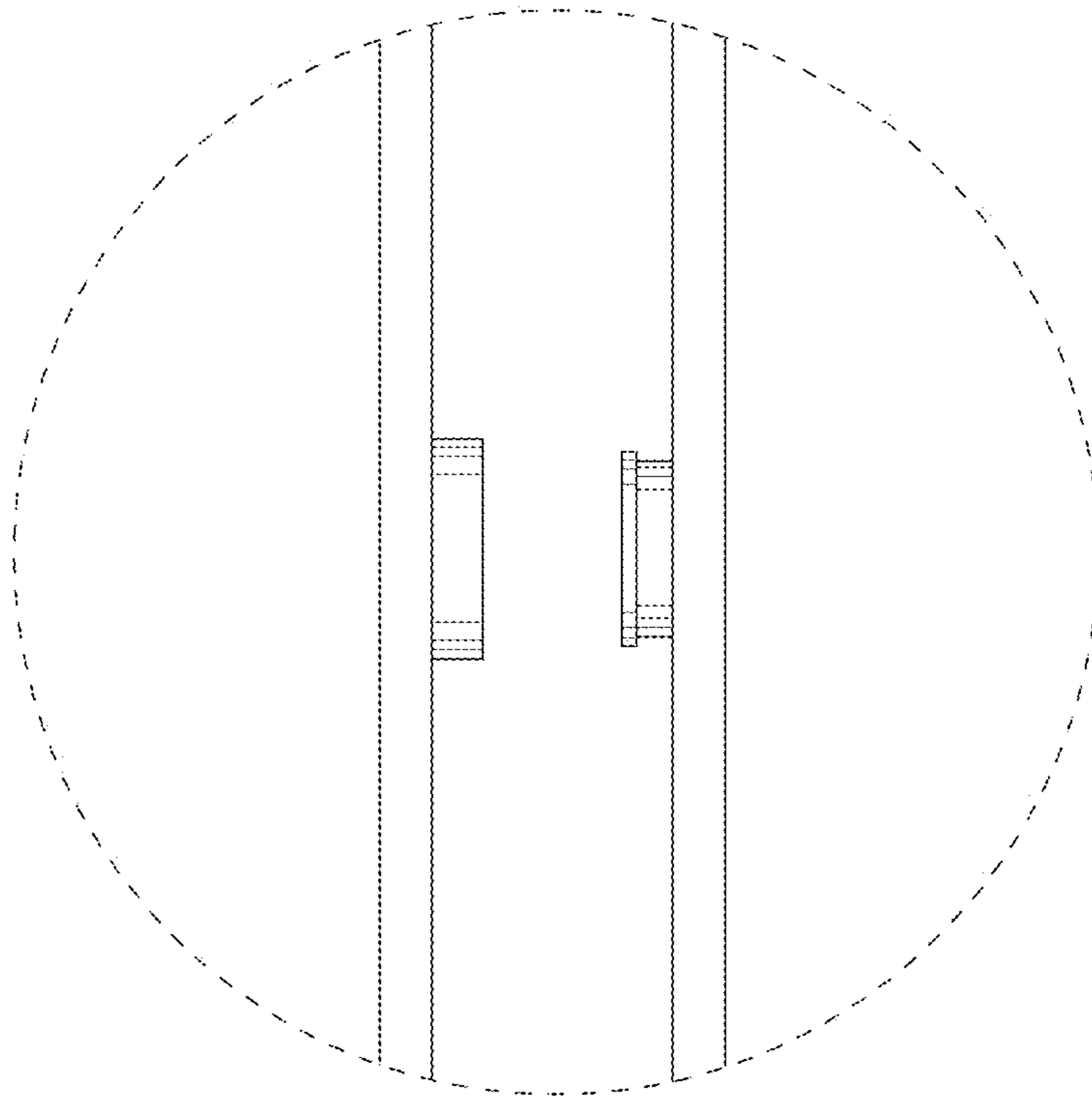


FIG. 6

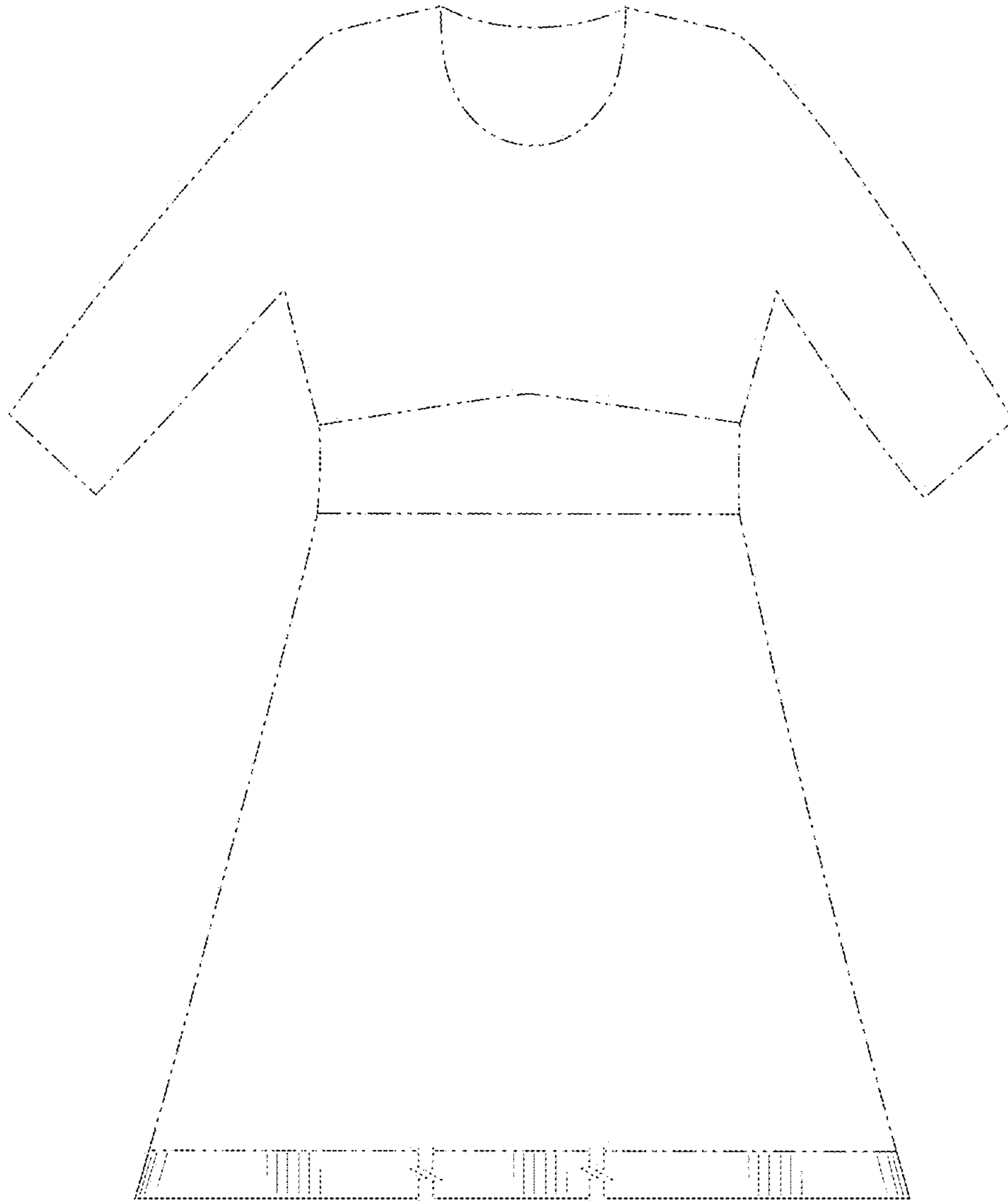


FIG. 7

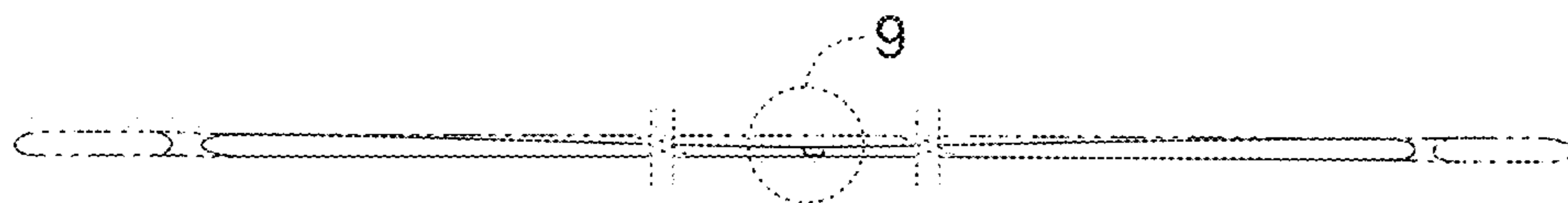


FIG. 8

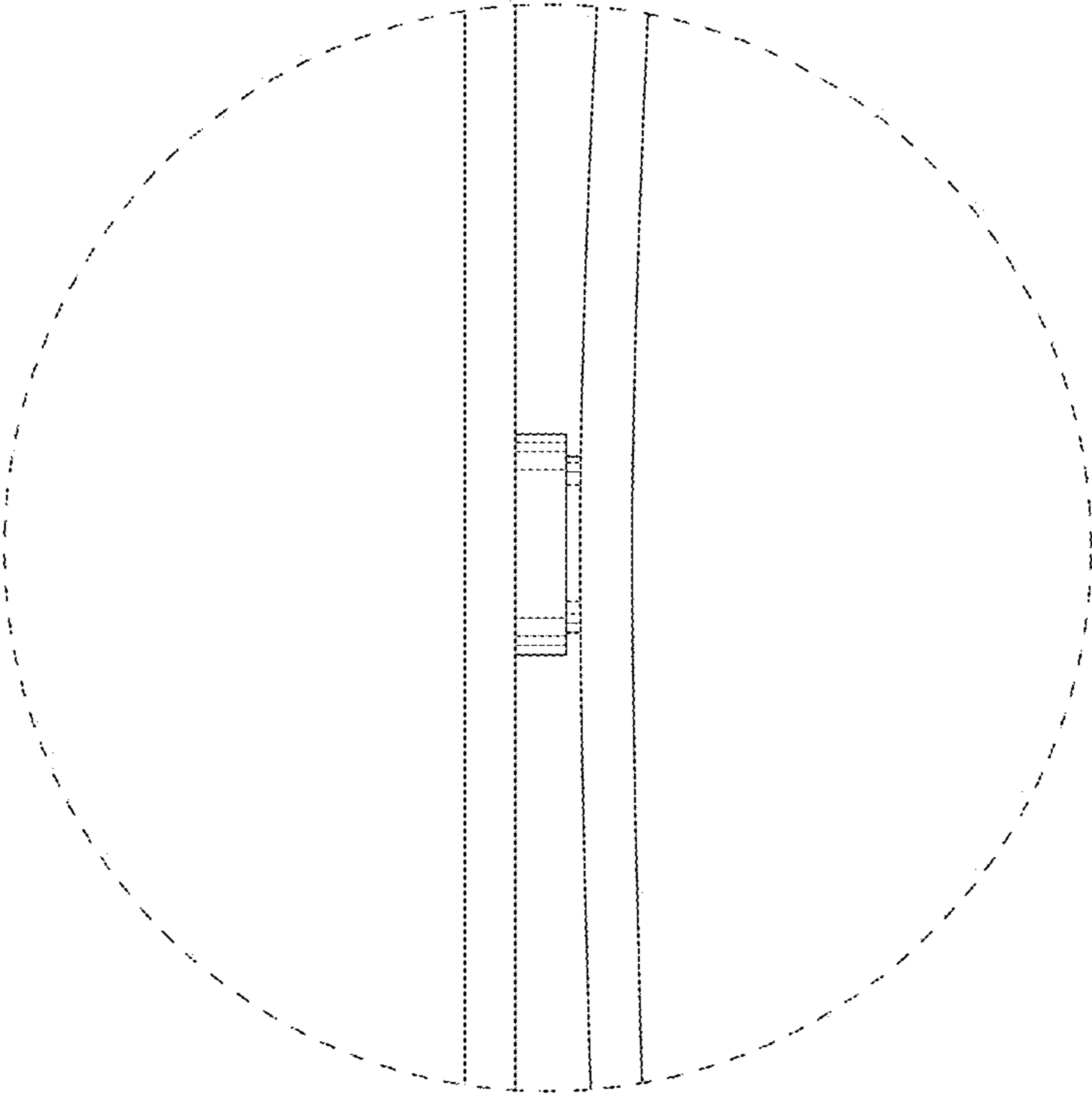


FIG. 9