

US00D932730S

(12) **United States Design Patent** (10) **Patent No.:** **US D932,730 S**  
**Williams, Jr.** (45) **Date of Patent:** **\*\* Oct. 5, 2021**

(54) **BEAR COFFIN**

(71) Applicant: **Andy Williams, Jr.**, Glendale Heights, IL (US)

(72) Inventor: **Andy Williams, Jr.**, Glendale Heights, IL (US)

(\*\*) Term: **15 Years**

(21) Appl. No.: **29/703,756**

(22) Filed: **Aug. 29, 2019**

(51) **LOC (13) Cl.** ..... **99-00**

(52) **U.S. Cl.**  
USPC ..... **D99/3**

(58) **Field of Classification Search**  
USPC ..... D99/5, 3, 1, 34, 35, 37, 38, 30; 27/1, 2;  
D21/605, 604; D6/518; D9/608, 629;  
D7/516, 625; 446/74, 369; 206/527;  
215/381-384; 229/116.1  
CPC ..... A61G 17/00; A61G 17/08  
See application file for complete search history.

(56) **References Cited**

**U.S. PATENT DOCUMENTS**

- 1,635,904 A \* 7/1927 Pinkerton ..... E04H 13/00  
52/140
- 1,828,352 A \* 10/1931 Barr ..... E04H 13/00  
27/6
- 2,415,948 A \* 2/1947 Hillenbrand ..... A61G 17/034  
27/2
- 2,533,828 A \* 12/1950 McEwan ..... A61G 17/036  
27/17
- D192,390 S \* 3/1962 DeKolb ..... D9/608
- D237,909 S \* 12/1975 Apilado ..... D24/198
- 3,944,267 A \* 3/1976 Sundquist ..... A61G 17/02  
292/158
- 4,176,431 A \* 12/1979 Havey, III ..... A61G 17/00  
27/2
- D256,989 S \* 9/1980 Kirchen ..... D9/608
- D276,929 S \* 12/1984 Daugherty ..... D21/604
- D277,124 S \* 1/1985 Shaffer ..... D21/604

- D285,227 S \* 8/1986 Coyne ..... D21/604
- D288,583 S \* 3/1987 Hope ..... D21/604
- D302,712 S \* 8/1989 Henn ..... D21/604
- D312,673 S \* 12/1990 Kataoka ..... D21/586
- D314,107 S \* 1/1991 Lewis ..... D6/518
- D315,444 S 3/1991 Maddocks
- D318,311 S \* 7/1991 Chen ..... D21/604
- D318,554 S 7/1991 Alpers et al.

(Continued)

**FOREIGN PATENT DOCUMENTS**

CN 201295358 Y 8/2009

**OTHER PUBLICATIONS**

Teddy Bear Memory, posted .COPYRGT. 2018 [online], retrieved Apr. 27, 2018, retrieved from internet, <<http://coffincompany.co.uk/teddy-bear-abstract-coffin>>.

(Continued)

*Primary Examiner* — Paula Allen Greene  
(74) *Attorney, Agent, or Firm* — Michael Best & Friedrich LLP

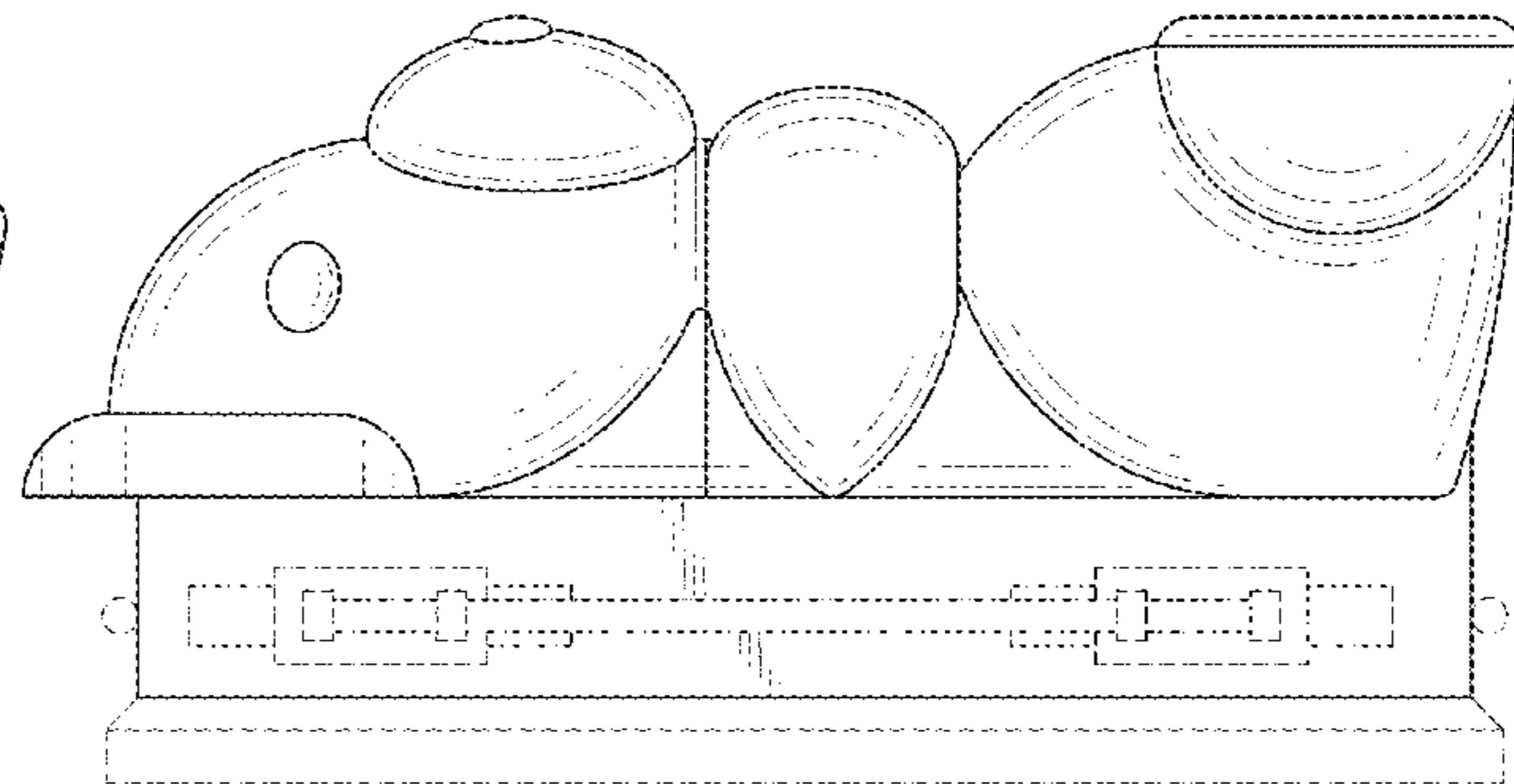
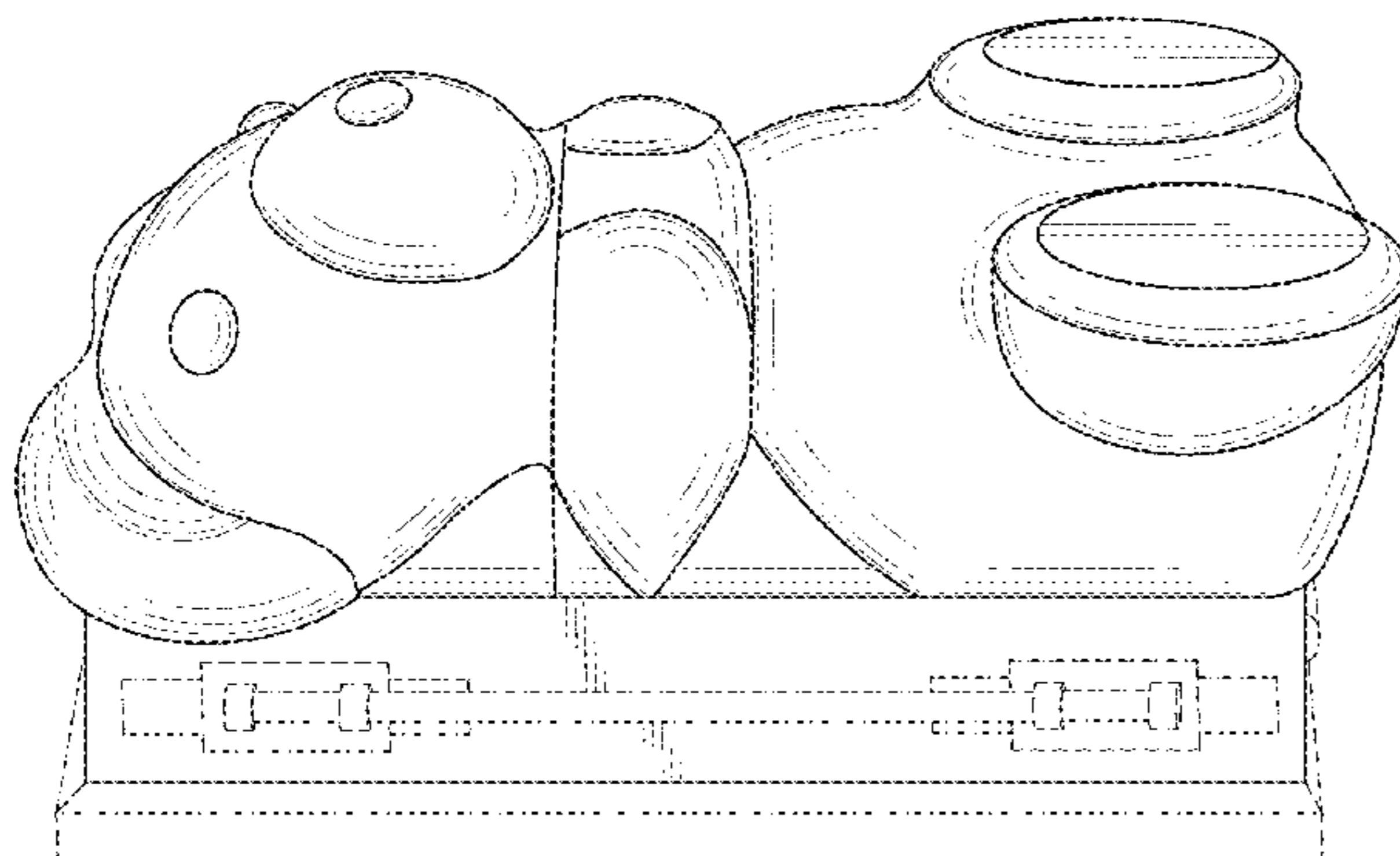
(57) **CLAIM**

The ornamental design for a bear coffin, as shown and described.

**DESCRIPTION**

FIG. 1 is a perspective view of a bear coffin showing my new design;  
FIG. 2 is a top plan view thereof;  
FIG. 3 is a bottom plan view thereof;  
FIG. 4 is a front elevation view thereof;  
FIG. 5 is a rear elevation view thereof;  
FIG. 6 is a left side elevation view thereof; and,  
FIG. 7 is a right side elevation view thereof.  
The broken lines depict environment that forms no part of the claimed design.

**1 Claim, 7 Drawing Sheets**



(56)

References Cited

U.S. PATENT DOCUMENTS

D324,307 S 3/1992 Lin  
 D325,059 S 3/1992 Smallwood  
 D333,612 S \* 3/1993 Gobe ..... D9/629  
 D335,199 S 5/1993 Kesdekoglu  
 5,326,300 A \* 7/1994 Sonders ..... A45C 15/00  
 190/1  
 5,349,727 A \* 9/1994 Niebergall ..... A61G 17/0136  
 27/1  
 D358,300 S 5/1995 Brown et al.  
 5,489,231 A \* 2/1996 Leyser ..... A63H 3/28  
 446/302  
 D392,825 S 3/1998 Markelonis  
 D394,682 S \* 5/1998 Marcus ..... D21/604  
 D396,315 S \* 7/1998 Hamerman ..... D21/604  
 D400,683 S \* 11/1998 Saaf ..... D99/1  
 D401,141 S \* 11/1998 Carroll ..... D9/608  
 D417,057 S \* 11/1999 Jeffers ..... D99/1  
 D426,595 S \* 6/2000 Jager ..... D21/605  
 D427,254 S \* 6/2000 Rothschild ..... D21/604  
 D437,155 S \* 2/2001 Steele ..... D21/604  
 6,370,744 B1 4/2002 Mendez  
 D462,595 S \* 9/2002 Barte ..... D8/83  
 D469,479 S \* 1/2003 Foschino ..... D21/579  
 D474,817 S \* 5/2003 Rogers ..... D21/604  
 D483,817 S \* 12/2003 Miller ..... D21/604  
 D488,281 S \* 4/2004 Min ..... D1/110  
 D490,305 S \* 5/2004 Takacs ..... D7/599  
 6,763,558 B1 7/2004 Mytych  
 D525,365 S 7/2006 Mills  
 7,308,741 B1 12/2007 Rydberg et al.  
 D573,894 S \* 7/2008 Takacs ..... D21/604  
 7,410,403 B1 \* 8/2008 Altschul ..... A63H 3/02  
 446/26  
 7,434,298 B2 10/2008 De La Fuente  
 D583,045 S 12/2008 Leal  
 D629,584 S 12/2010 Riehl  
 8,152,587 B1 \* 4/2012 Brown ..... A63H 3/02  
 446/73  
 D672,935 S \* 12/2012 Khan ..... D99/5  
 D682,366 S \* 5/2013 Perez ..... D21/604  
 D684,730 S \* 6/2013 Grabois ..... D30/103  
 D690,995 S 10/2013 Franco

D692,278 S \* 10/2013 Perez ..... D7/516  
 D693,228 S \* 11/2013 Kelley ..... D9/608  
 D693,229 S \* 11/2013 Kelley ..... D9/608  
 D704,281 S \* 5/2014 Carlson ..... D21/604  
 D774,604 S \* 12/2016 Harrison ..... D21/604  
 D783,737 S 4/2017 Batten et al.  
 D789,210 S 6/2017 Oaknin  
 D793,746 S 8/2017 Rivera  
 D797,208 S 9/2017 Jiencke  
 D812,697 S 3/2018 Simms  
 9,925,470 B1 3/2018 Palacio  
 D823,121 S \* 7/2018 Guo ..... D9/608  
 D823,403 S \* 7/2018 Boyar ..... D21/604  
 D844,929 S \* 4/2019 Williams, Jr. .... D99/3  
 D851,853 S \* 6/2019 Khan ..... D99/5  
 D853,074 S \* 7/2019 Hirayama ..... D99/1  
 2006/0089076 A1 \* 4/2006 Jacobson ..... A63H 3/02  
 446/71  
 2008/0032594 A1 2/2008 Magener  
 2008/0096459 A1 \* 4/2008 Mingle ..... A61J 1/16  
 446/74  
 2010/0313395 A1 \* 12/2010 Heckenbach ..... A61G 17/08  
 27/1  
 2012/0174871 A1 7/2012 Grabois  
 2013/0331000 A1 12/2013 Drozdowski et al.  
 2019/0070056 A1 \* 3/2019 Seltzer ..... A61G 17/08

OTHER PUBLICATIONS

Teddy Bear Shaped Plastic Sweet Favor Container, posted Jan. 21, 2015 [online], retrieved Apr. 27, 2018, retrieved from internet, <<https://www.amazon.co.uk/Plastic-Container-General-Giftware-Wedding/d-p/B00S8OUXUQ>>.  
 Transparent teddy bear shaped container, posted .COPYRGT. 1999-2018 [online], retrieved Apr. 27, 2018, retrieved from internet, <[https://www.alibaba.com/product-detail/Transparent-teddy-bear-shaped-container\\_60603490778.html](https://www.alibaba.com/product-detail/Transparent-teddy-bear-shaped-container_60603490778.html)>.  
 Lovely Bear Shaped Velvet Ring Earring Jewelry Box Gift Case, posted Mar. 12, 2016 [online], retrieved Apr. 27, 2018, retrieved from internet, <[https://www.banggood.com/Lovely-Bear-Shaped-Velvet-Ring-Earring-Jewelry-Box-Gift-Case-p-949355.html?cur\\_warehouse=CN](https://www.banggood.com/Lovely-Bear-Shaped-Velvet-Ring-Earring-Jewelry-Box-Gift-Case-p-949355.html?cur_warehouse=CN)>.

\* cited by examiner

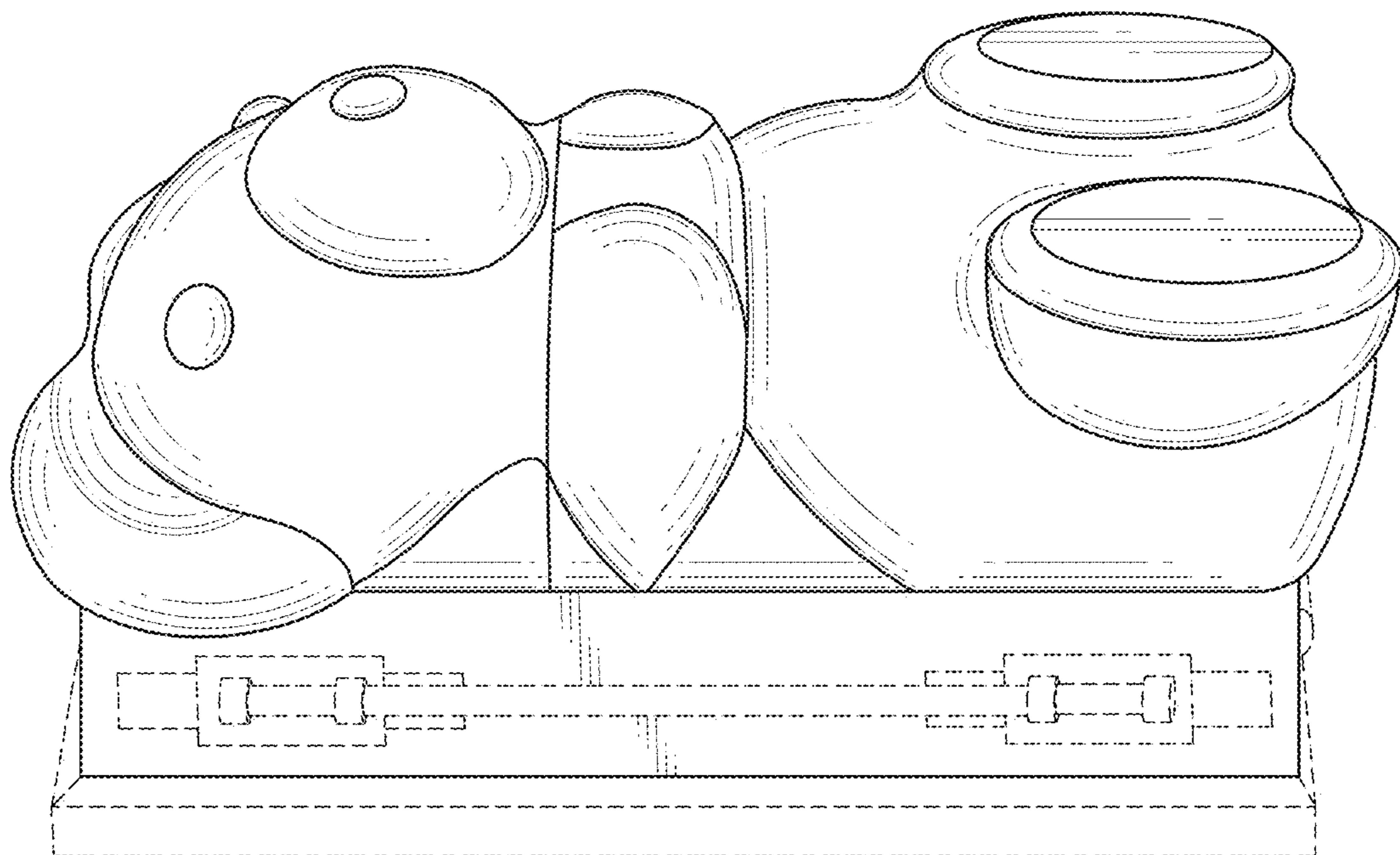


FIG. 1

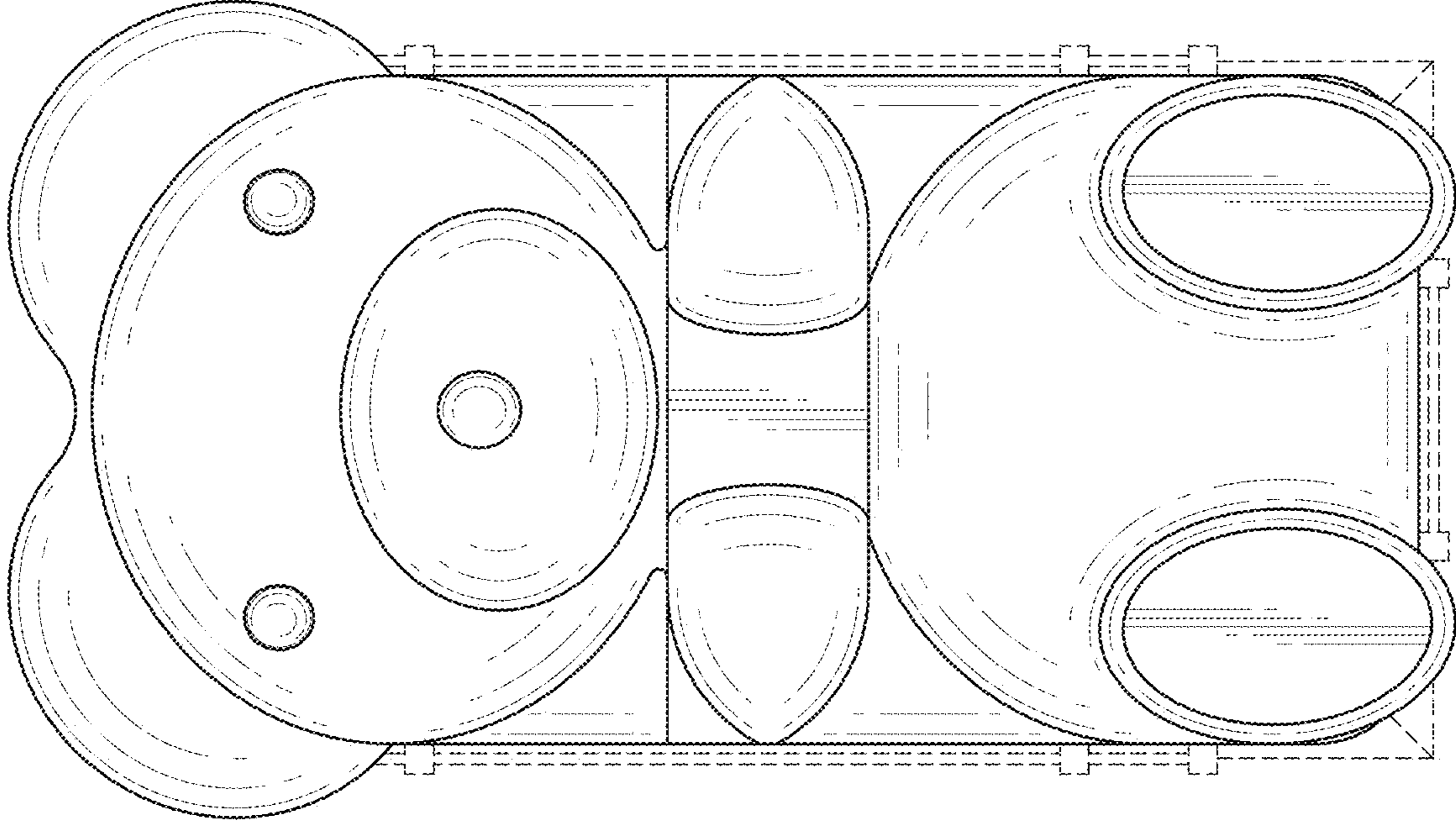


FIG. 2

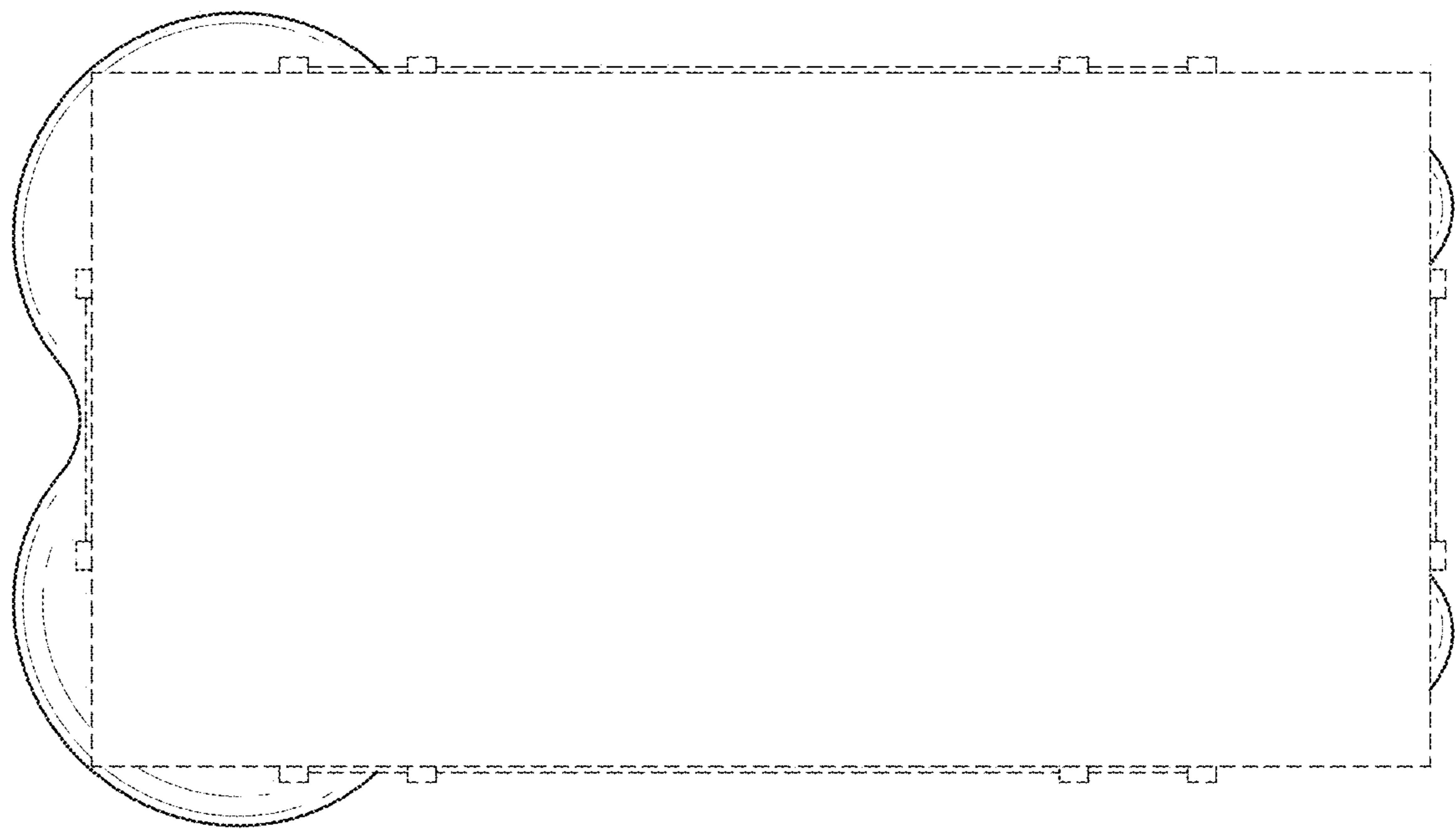


FIG. 3

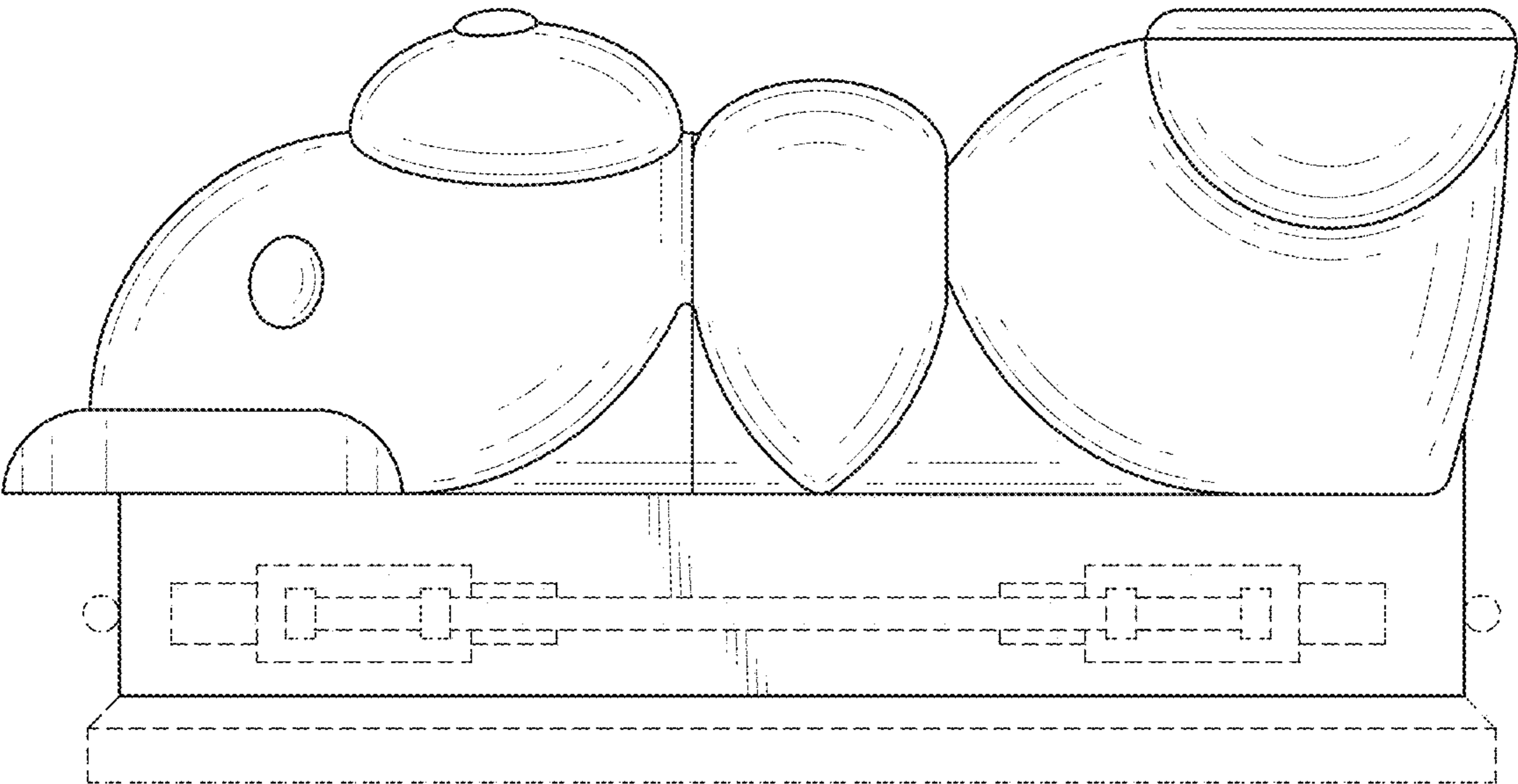


FIG. 4

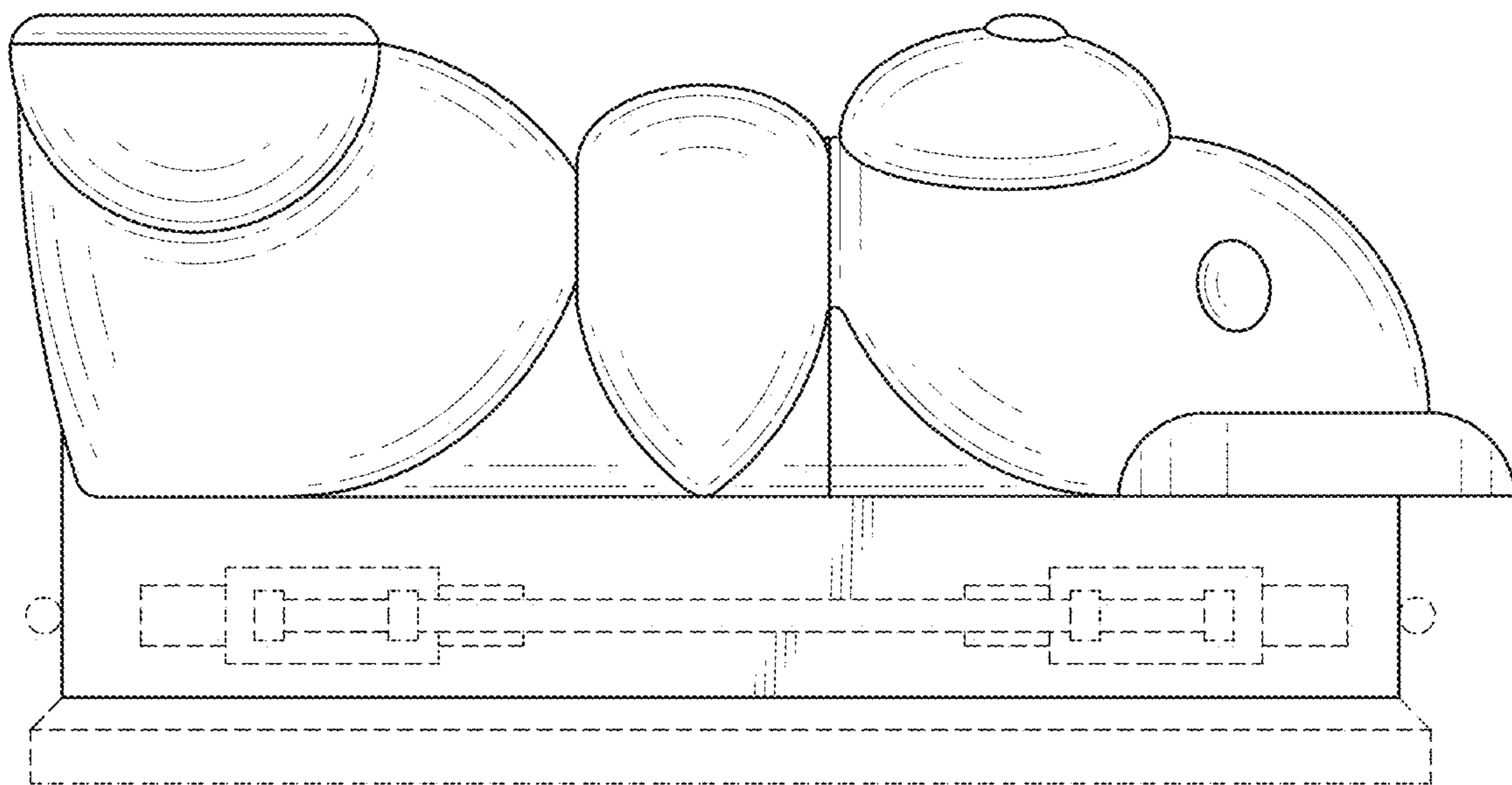


FIG. 5

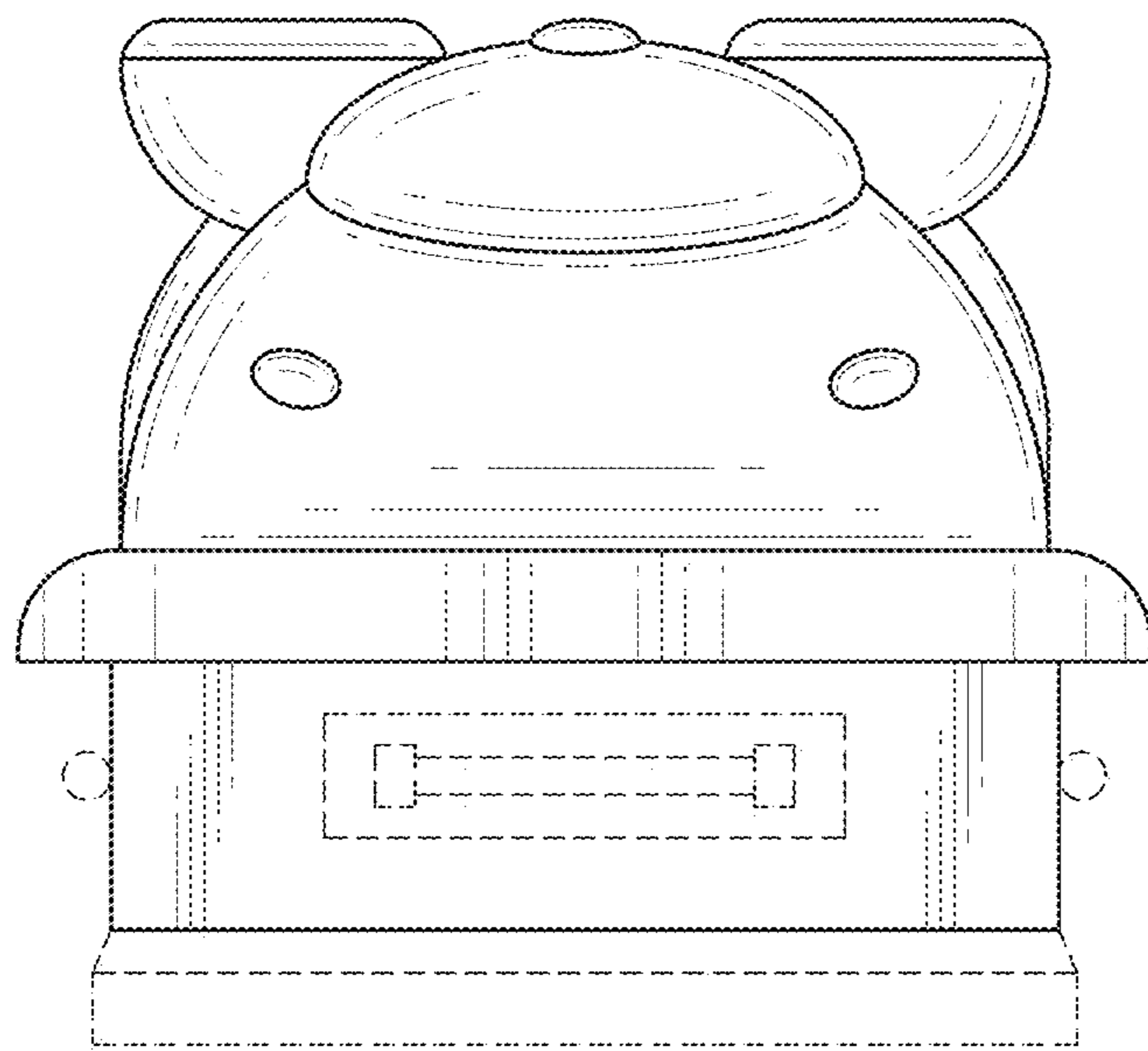


FIG. 6



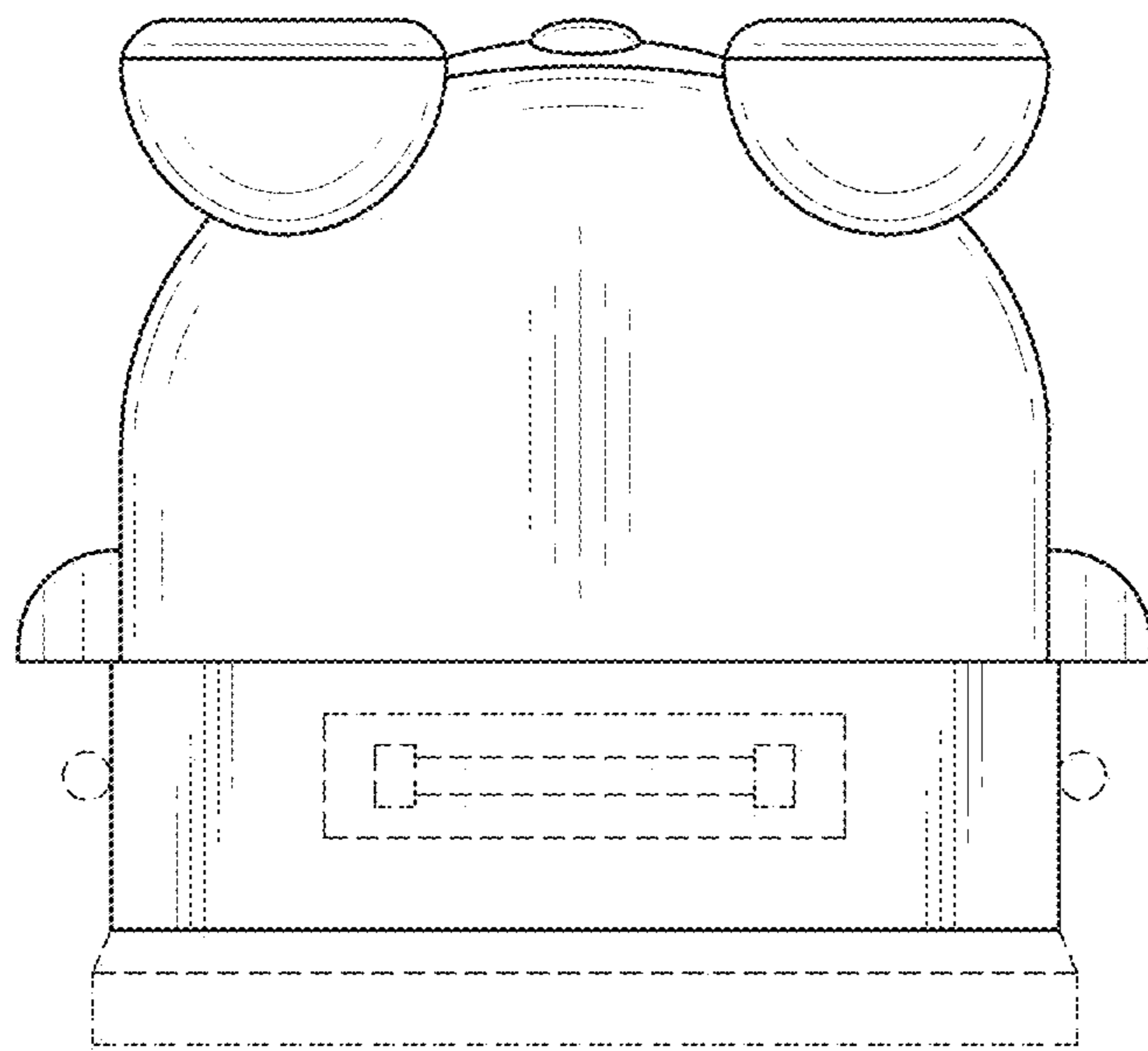


FIG. 7