



US00D932728S

(12) **United States Design Patent**
Piispanen

(10) **Patent No.:** **US D932,728 S**

(45) **Date of Patent:** **** Oct. 5, 2021**

(54) **CHAIN HOIST**

(71) Applicant: **Konecranes Global Corporation,**
Hyvinkää (FI)

(72) Inventor: **Tatu Piispanen,** Hyvinkää (FI)

(73) Assignee: **konecranes global corporation,**
Hyvinkää (FI)

(**) Term: **15 Years**

(21) Appl. No.: **29/728,060**

(22) Filed: **Mar. 16, 2020**

(30) **Foreign Application Priority Data**

Sep. 16, 2019 (EM) 006877171

(51) **LOC (13) Cl.** **12-05**

(52) **U.S. Cl.**
USPC **D34/33**

(58) **Field of Classification Search**

USPC D34/33
CPC ... B66D 1/14; B66D 1/38; B66D 1/28; B66D
1/04; B66D 1/22; B66D 1/39; B66D
1/7405; B66D 1/00; B66D 1/08; B66D
1/26; B66D 1/36; B66D 1/505; B66D
1/7484

See application file for complete search history.

(56) **References Cited**

U.S. PATENT DOCUMENTS

D674,163 S * 1/2013 Tarkiainen D34/33
D677,853 S * 3/2013 Gans D34/33

D679,474 S * 4/2013 Beussart D34/33
D705,515 S * 5/2014 Bernard D34/33
D706,514 S * 6/2014 Weingartner D34/33
D819,922 S * 6/2018 Bernard D34/33
D820,550 S * 6/2018 Bernard D34/33
D874,782 S * 2/2020 Detering D34/33

* cited by examiner

Primary Examiner — Cynthia Ramirez

(74) *Attorney, Agent, or Firm* — Leason Ellis LLP

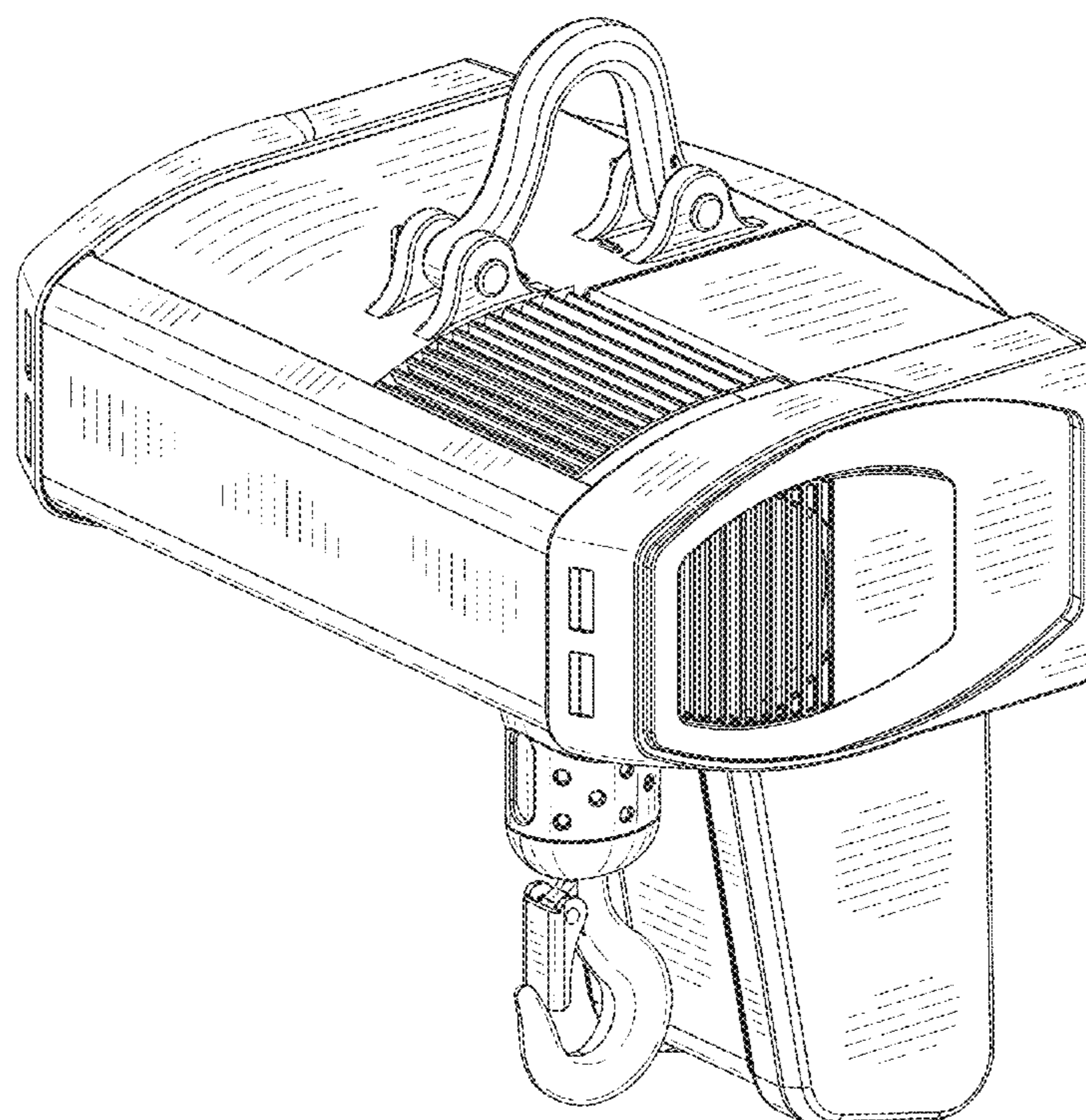
(57) **CLAIM**

The ornamental design for a chain hoist, as shown and described.

DESCRIPTION

FIG. 1 is a left-side perspective view of my chain hoist according to my new design;
FIG. 2 is a front view thereof;
FIG. 3 is a rear view thereof;
FIG. 4 is a left-side view thereof;
FIG. 5 is a right-side view thereof;
FIG. 6 is a bottom plan view thereof;
FIG. 7 is a top plan view thereof; and,
FIG. 8 is a right-side perspective view thereof.
The broken lines in the figures show portions of the chain hoist, which form no part of the claimed design.

1 Claim, 8 Drawing Sheets



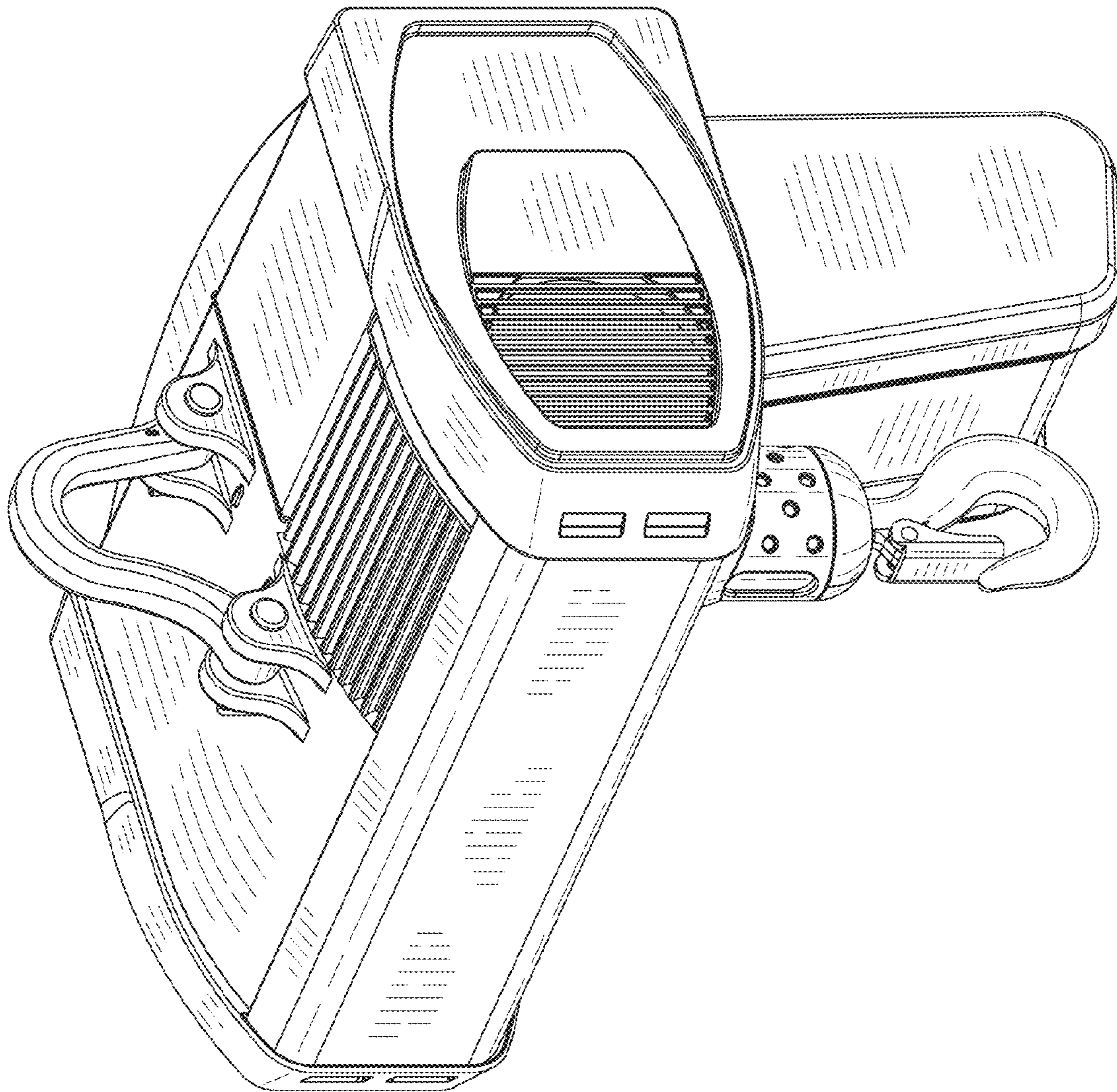


Fig. 1

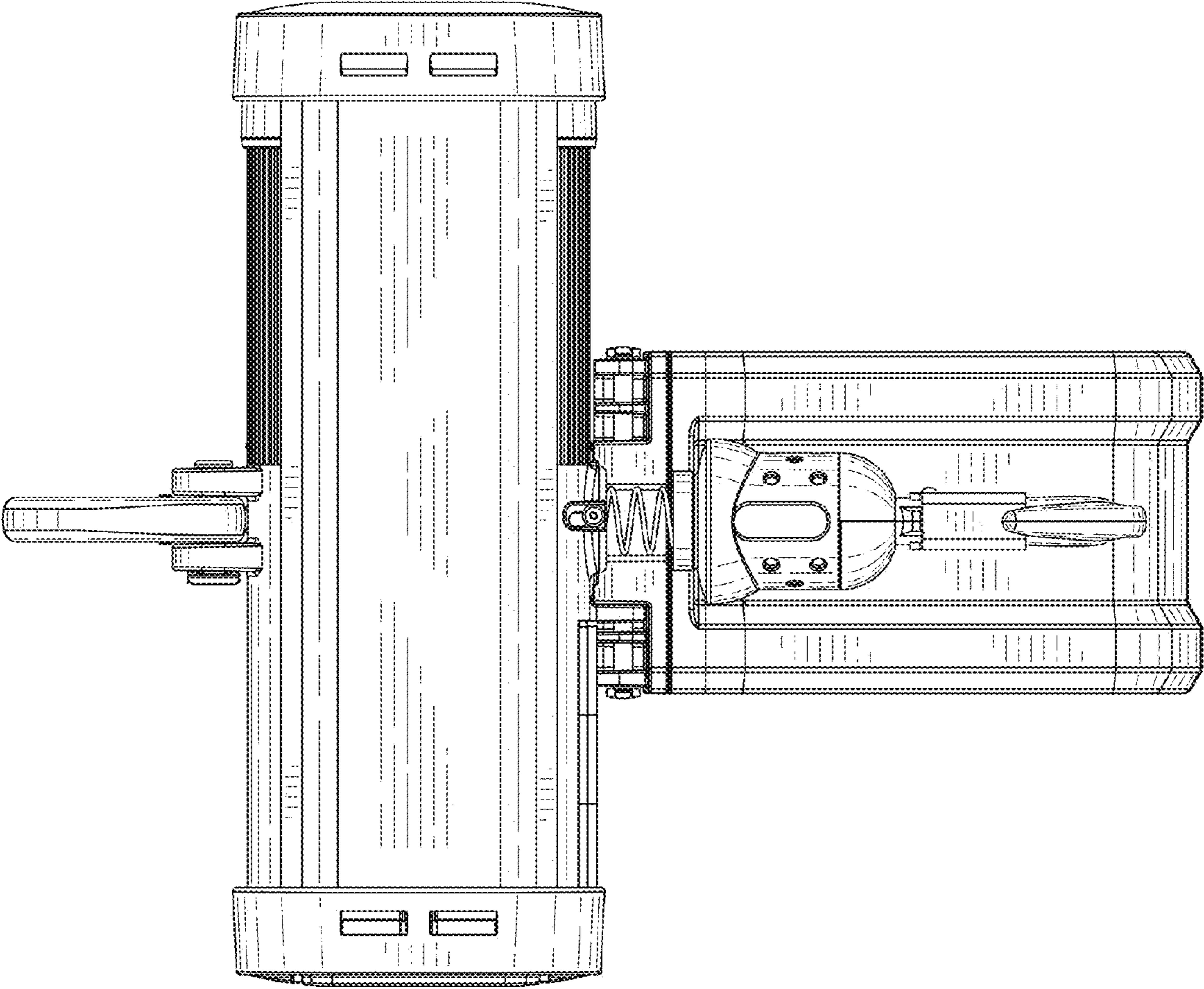


Fig. 2

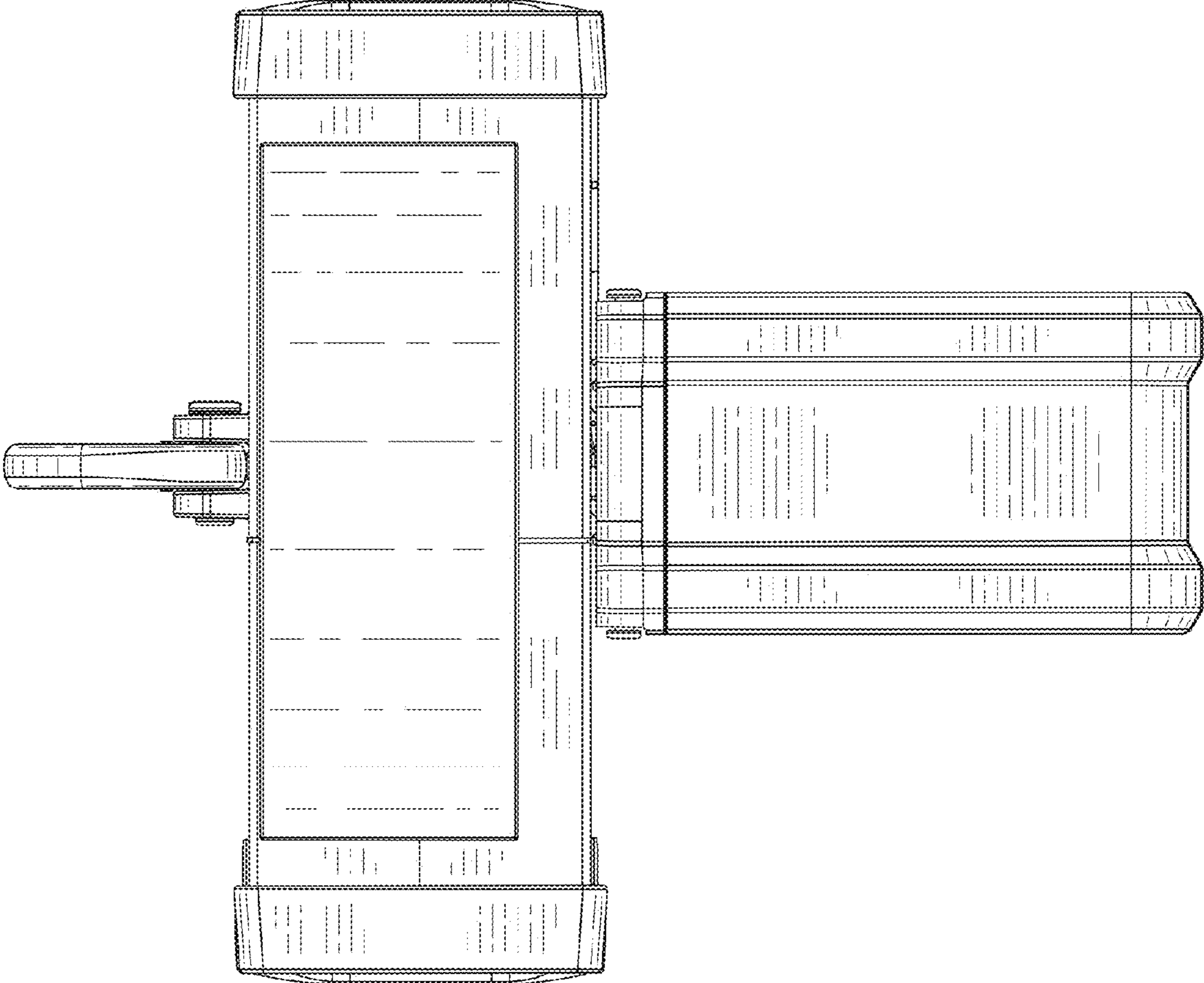


Fig. 3

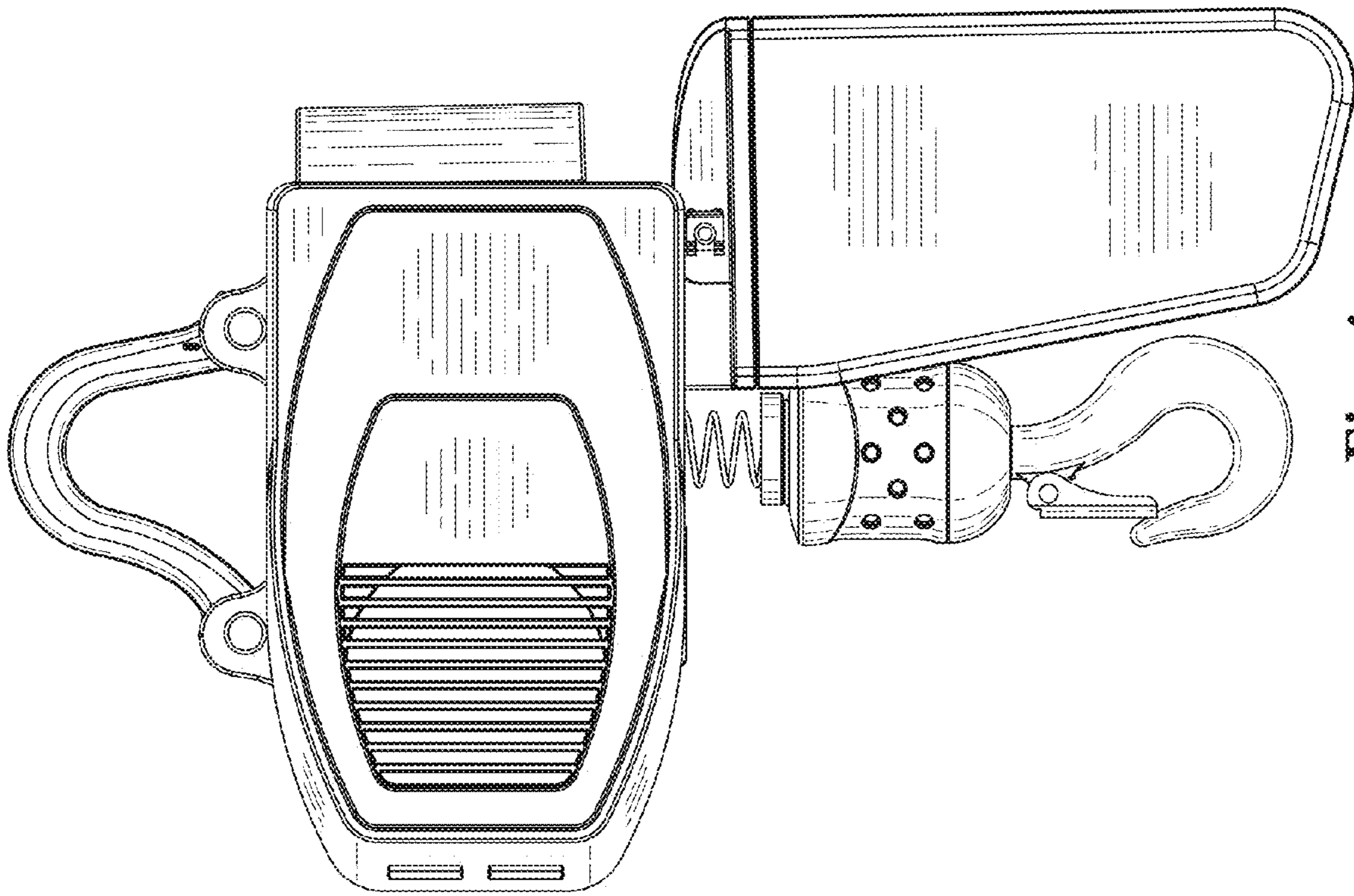


Fig. 4

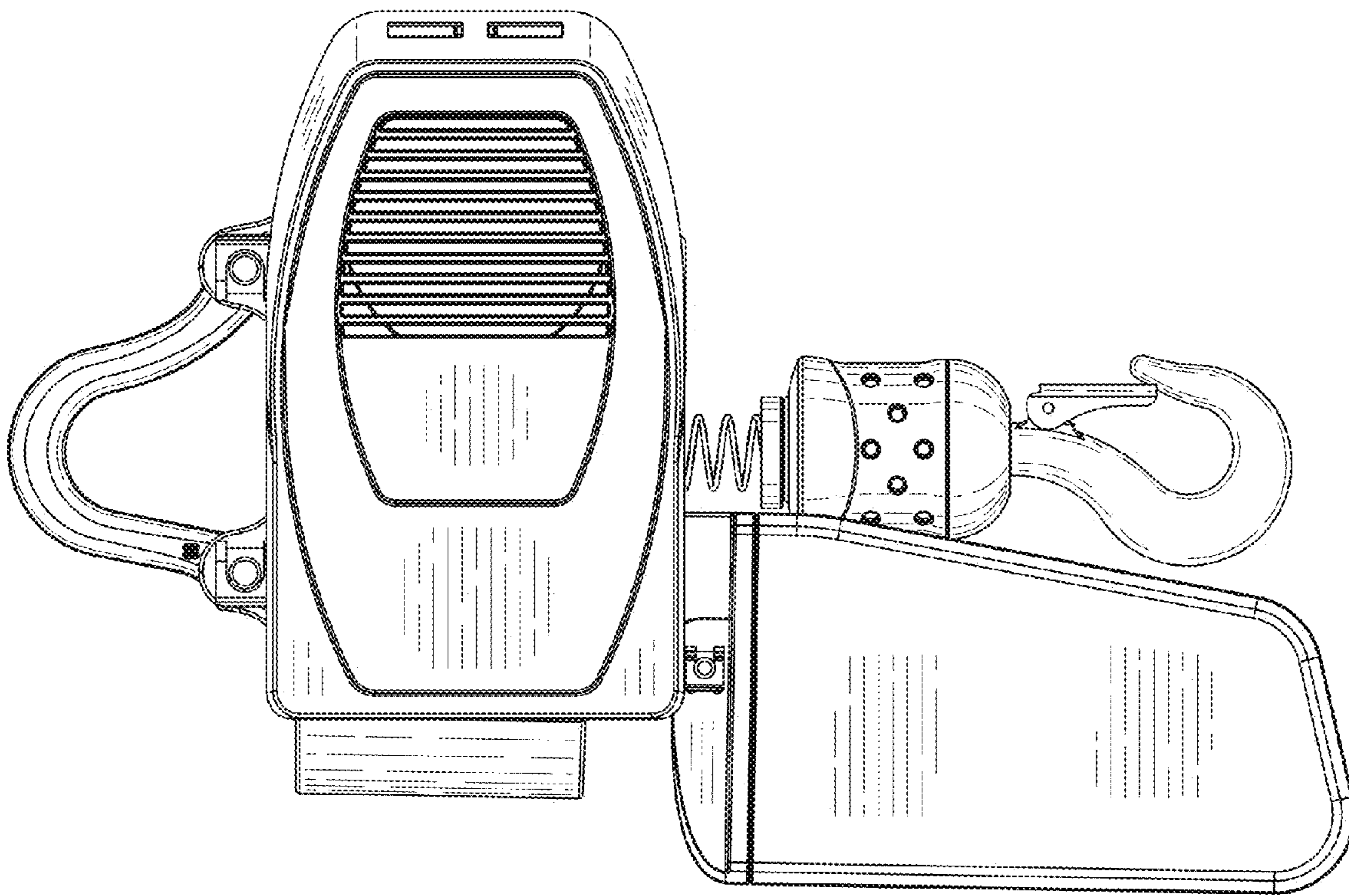


Fig. 5

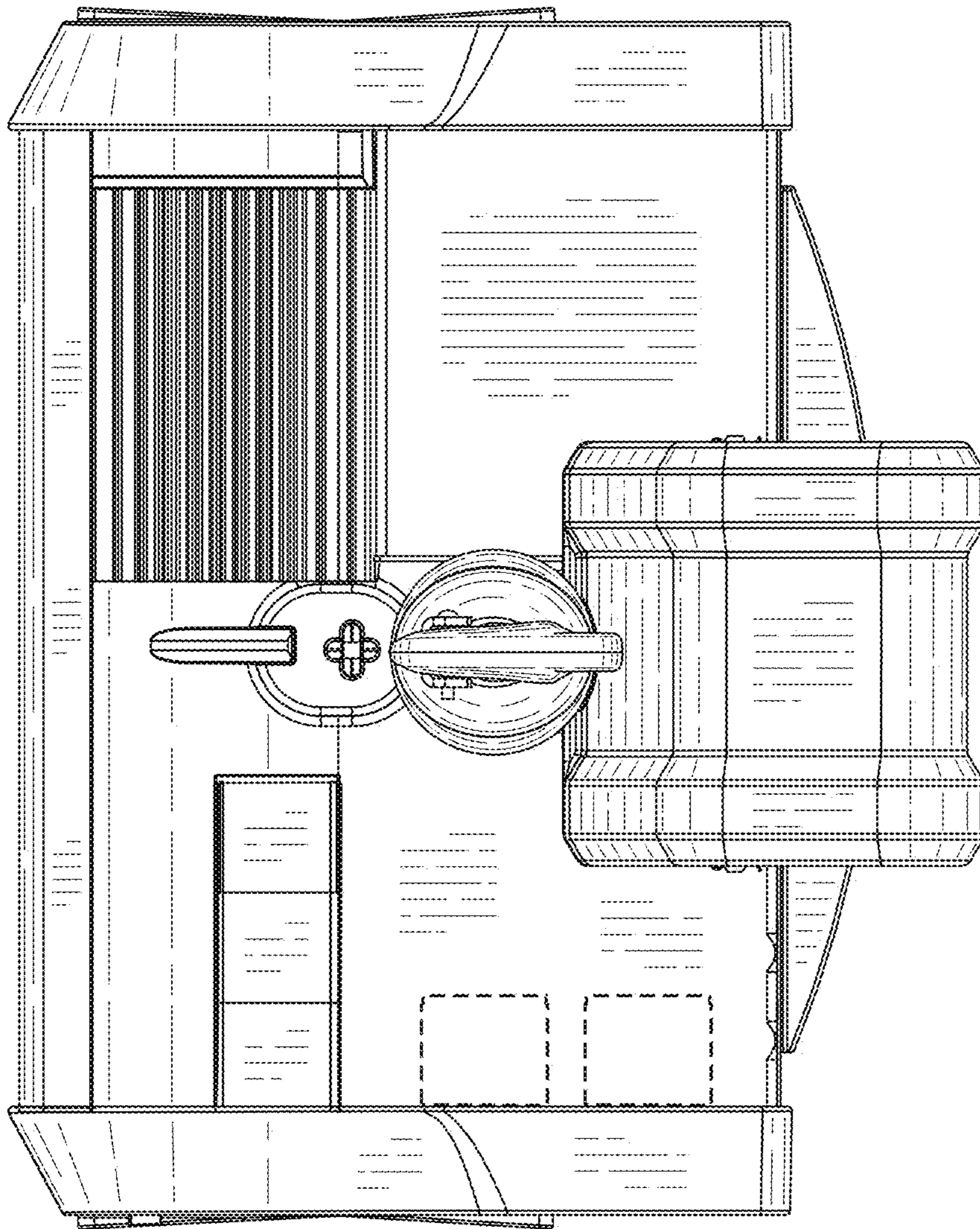


Fig. 6

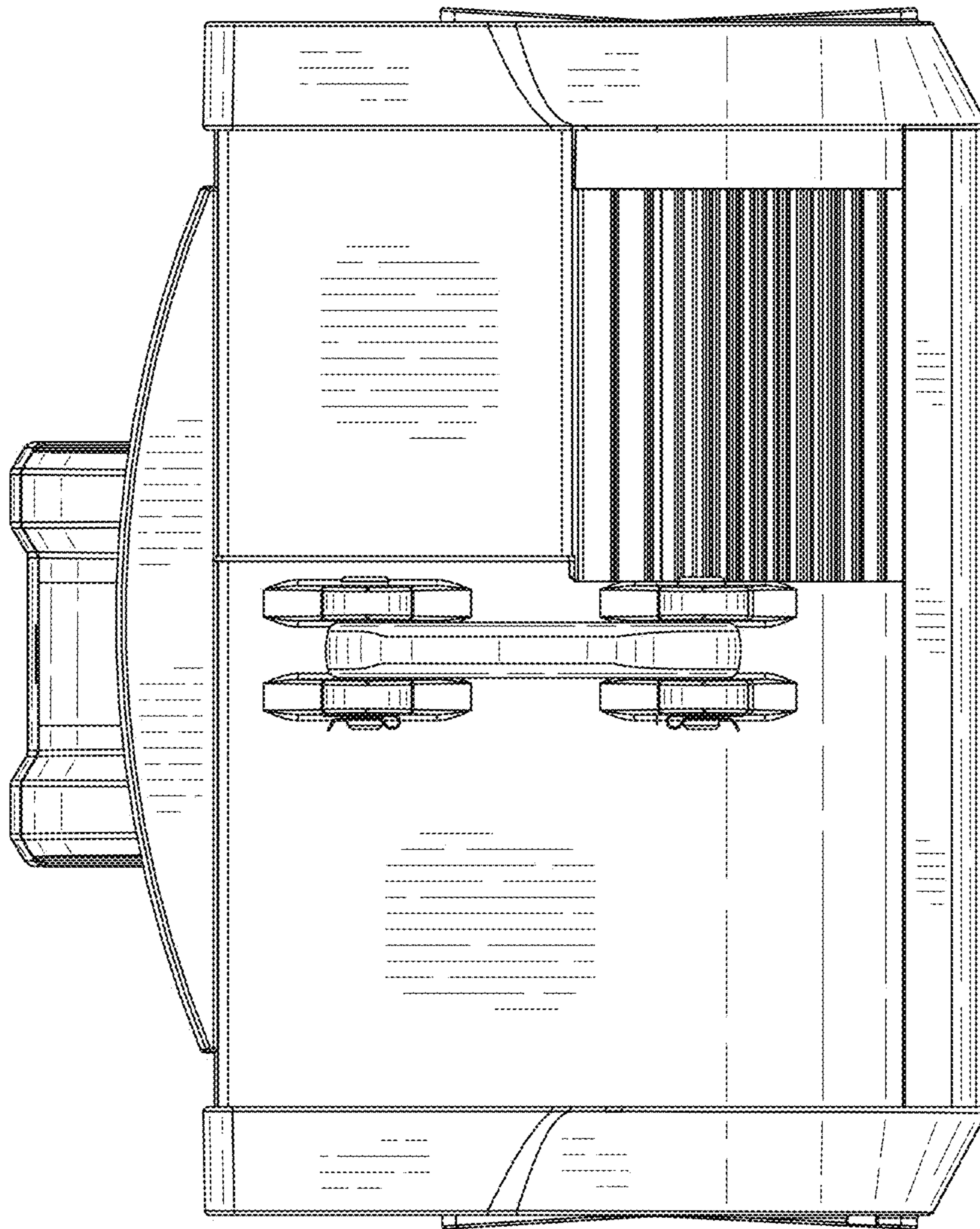


Fig. 7

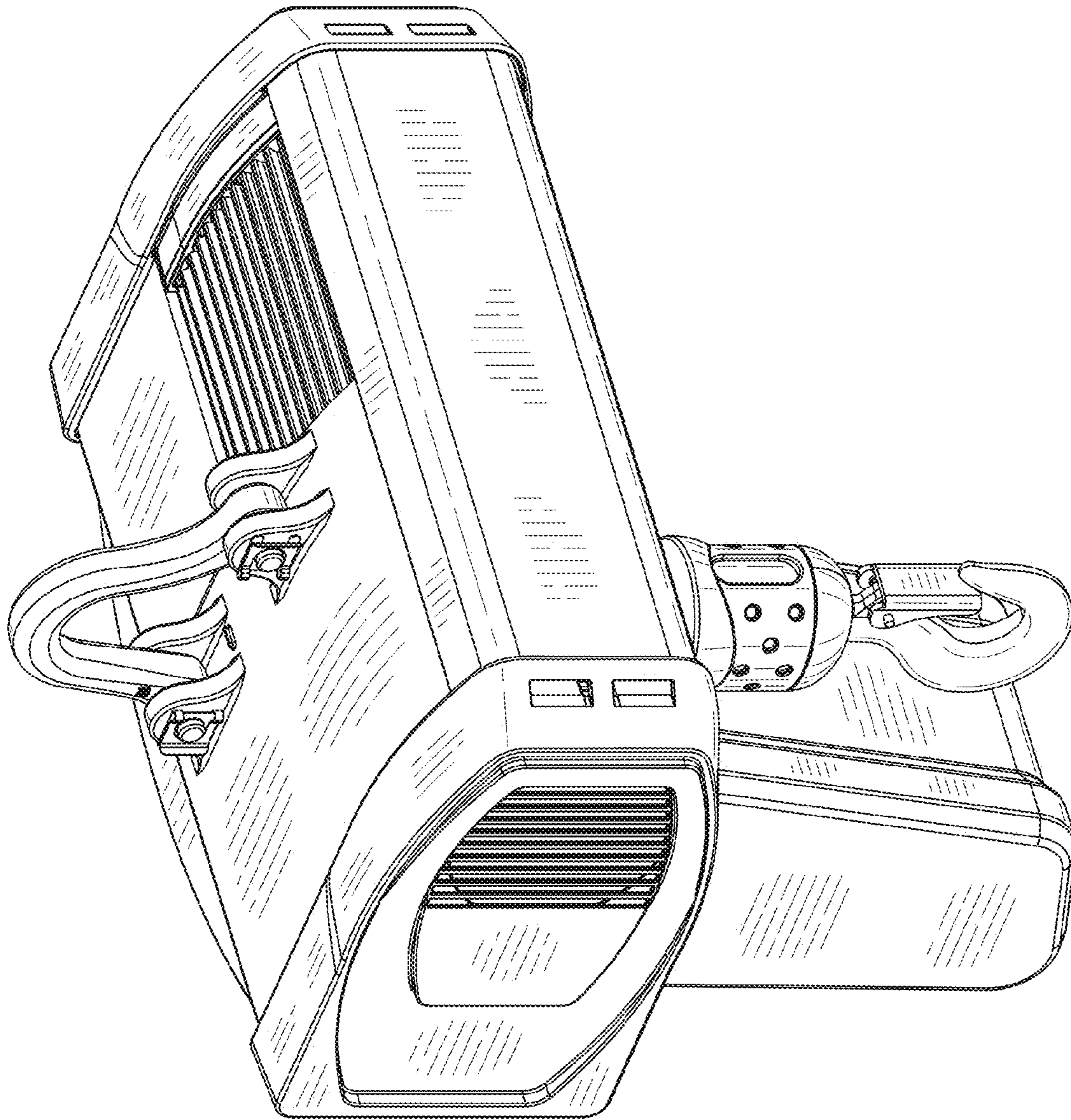


Fig. 8