



US00D932727S

(12) **United States Design Patent** (10) **Patent No.:** **US D932,727 S**
Ye et al. (45) **Date of Patent:** **** Oct. 5, 2021**

(54) **ELECTRIC WINCH FOR CARS**

(71) Applicant: **Tractor Supply Company**, Brentwood, TN (US)

(72) Inventors: **Ling Ye**, Jinhua (CN); **Xiang Feng**, Jinhua (CN); **Jianhao Zhu**, Jinhua (CN); **Christian D. Fogg**, Columbia, TN (US); **Brian Kenemer**, Chapel Hill, TN (US)

(73) Assignee: **Tractor Supply Company**, Nashville, TN (US)

(**) Term: **15 Years**

(21) Appl. No.: **29/704,870**

(22) Filed: **Sep. 8, 2019**

(51) **LOC (13) Cl.** **12-05**

(52) **U.S. Cl.**
 USPC **D34/33**

(58) **Field of Classification Search**
 USPC D34/28–39
 CPC B66D 2700/00; B66D 1/12; B66D 1/00;
 B66D 1/14; B66D 1/005; B66D 3/18;
 B66D 3/20; B66D 5/34
 See application file for complete search history.

(56) **References Cited**

U.S. PATENT DOCUMENTS

D799,144 S * 10/2017 Cui D34/33
 D815,386 S * 4/2018 August D34/33
 10,322,916 B2 * 6/2019 Cui B66D 1/12
 D888,360 S * 6/2020 Zheng D34/33
 D896,463 S * 9/2020 Saeger D34/33
 D898,321 S * 10/2020 Fretz D34/33
 D903,221 S * 11/2020 Feng D34/33
 D906,624 S * 12/2020 Wilcox D34/33
 11,001,482 B2 * 5/2021 Fretz H02K 5/14

2014/0001427 A1 * 1/2014 Fretz B66D 1/02
 254/342
 2016/0096709 A1 * 4/2016 Averill B66D 1/12
 254/267
 2018/0118528 A1 * 5/2018 August H05K 7/1432
 2019/0092608 A1 * 3/2019 Cui B66D 1/225

OTHER PUBLICATIONS

Tractor Supply, announced Sep. 2020 [online], [site visited Jan. 26, 2021]. Available from internet, URL: https://www.tractorsupply.com/tsc/product/traveller-10-000-lb-synthetic-rope-winch-ewv10000fsr?cm_vc=-10005 (Year: 2020).
 China Des. Pat. 201930057422 .6 filed Jan. 31, 2019, issued Jul. 9, 2019 (9,000 LB Winch).
 China Des. Pat. 201930057828 .4 filed Jan. 31, 2019, issued Jul. 9, 2019 (12,000 LB Winch).

(Continued)

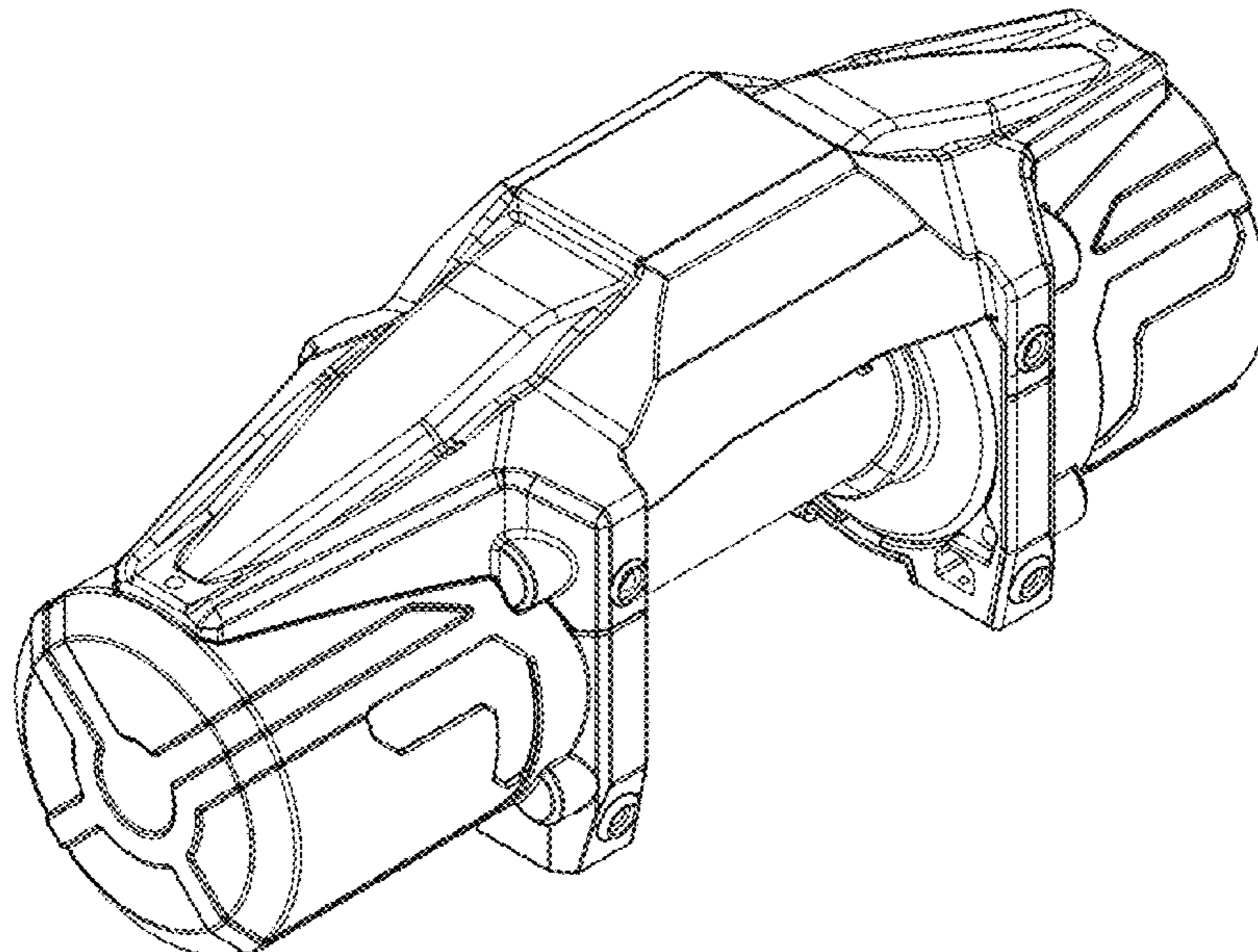
Primary Examiner — Kevin K Rudzinski
Assistant Examiner — Tamara L Hahn
 (74) *Attorney, Agent, or Firm* — Lucian Wayne Beavers;
 Patterson Intellectual Property Law, PC

(57) **CLAIM**
 The ornamental design for an electric winch for cars, as shown and described.

DESCRIPTION

FIG. 1 is a front elevation view of an electric winch for cars showing our new design.
 FIG. 2 is a rear elevation view thereof.
 FIG. 3 is an enlarged left side elevation view thereof.
 FIG. 4 is an enlarged right side elevation view thereof.
 FIG. 5 is a top plan view thereof.
 FIG. 6 is a bottom plan view thereof.
 FIG. 7 is a perspective view thereof; and,
 FIG. 8 is another perspective view thereof.
 The broken lines of FIG. 6 are portions of the winch and form no part of the claimed design.

1 Claim, 8 Drawing Sheets



(56)

References Cited

OTHER PUBLICATIONS

China Des. Pat. 201930057408 .6 filed Jan. 31, 2019, issued Jul. 9, 2019 (10,000 LB Winch).

Co-Pending U.S. Appl. No. 29/720,337, filed Jan. 12, 2020 (10,000 LB Winch).

* cited by examiner

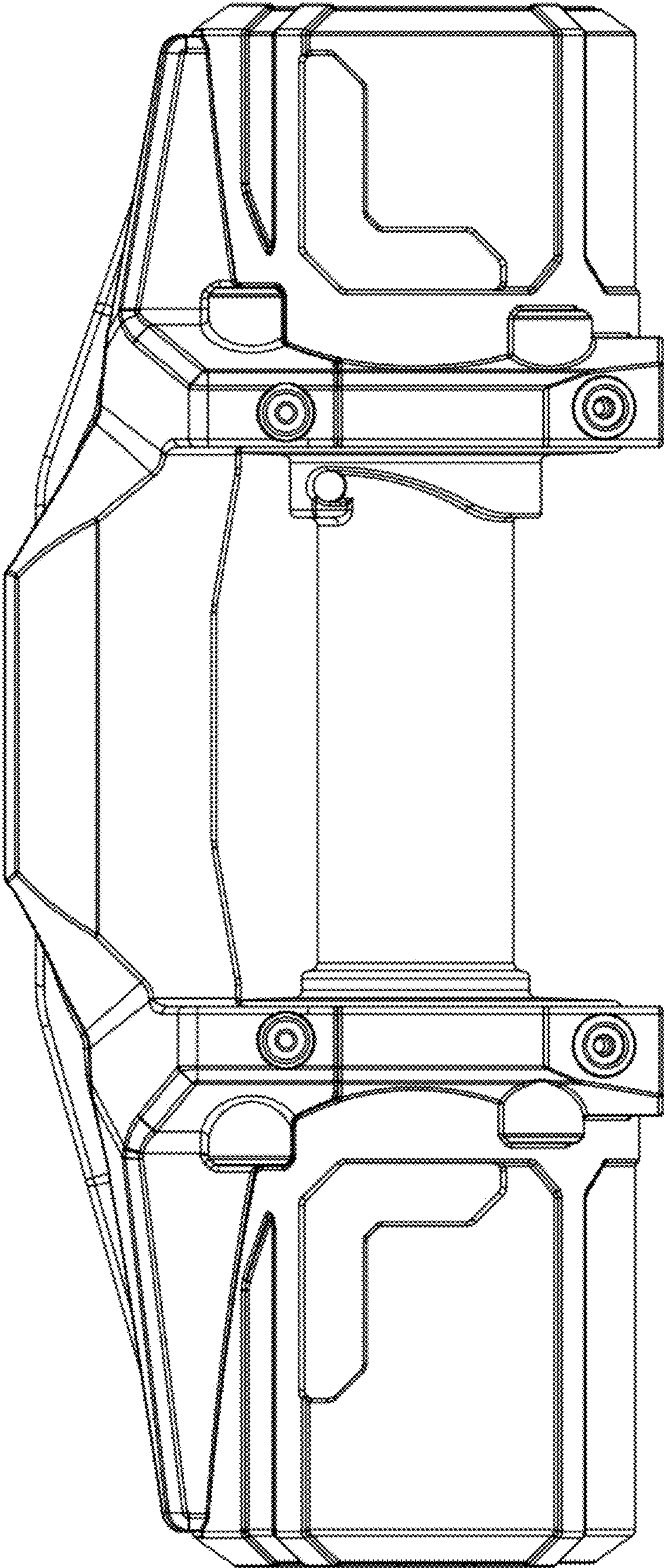


FIG. 1

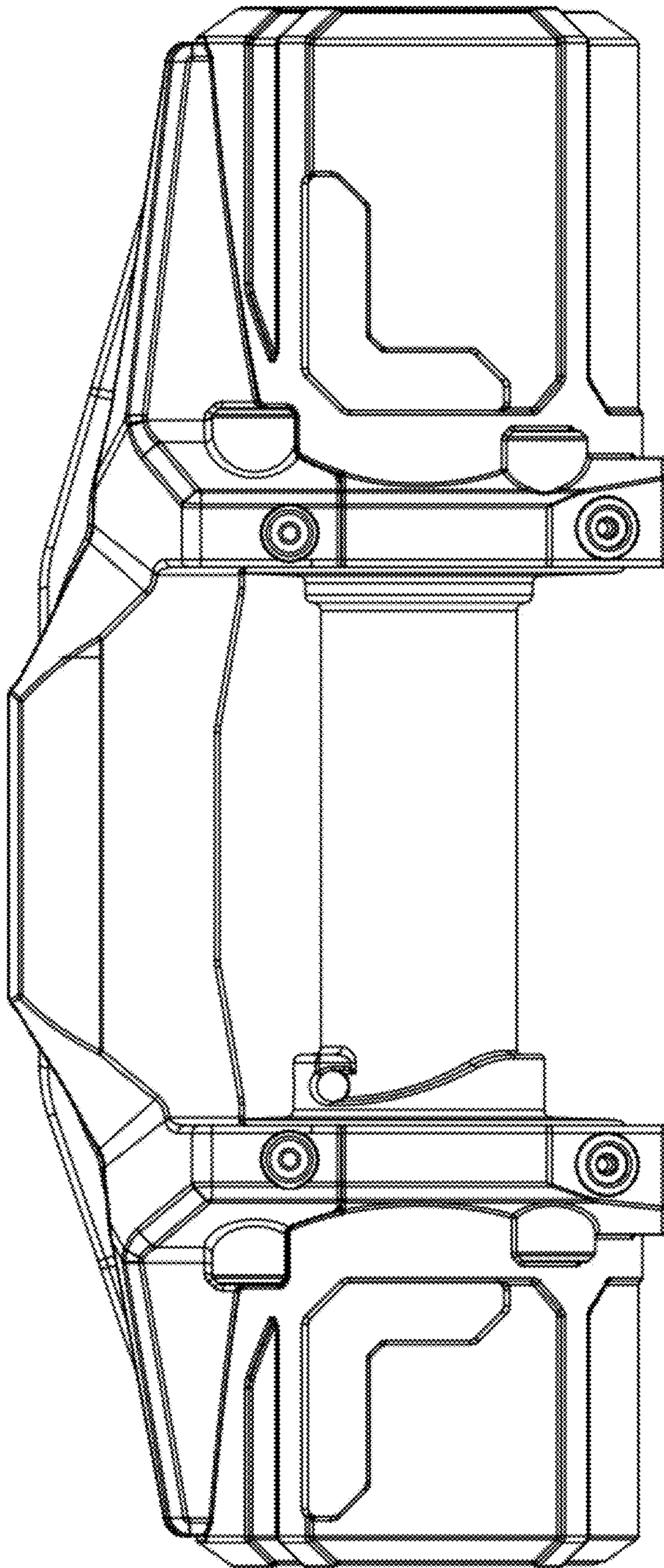


FIG. 2

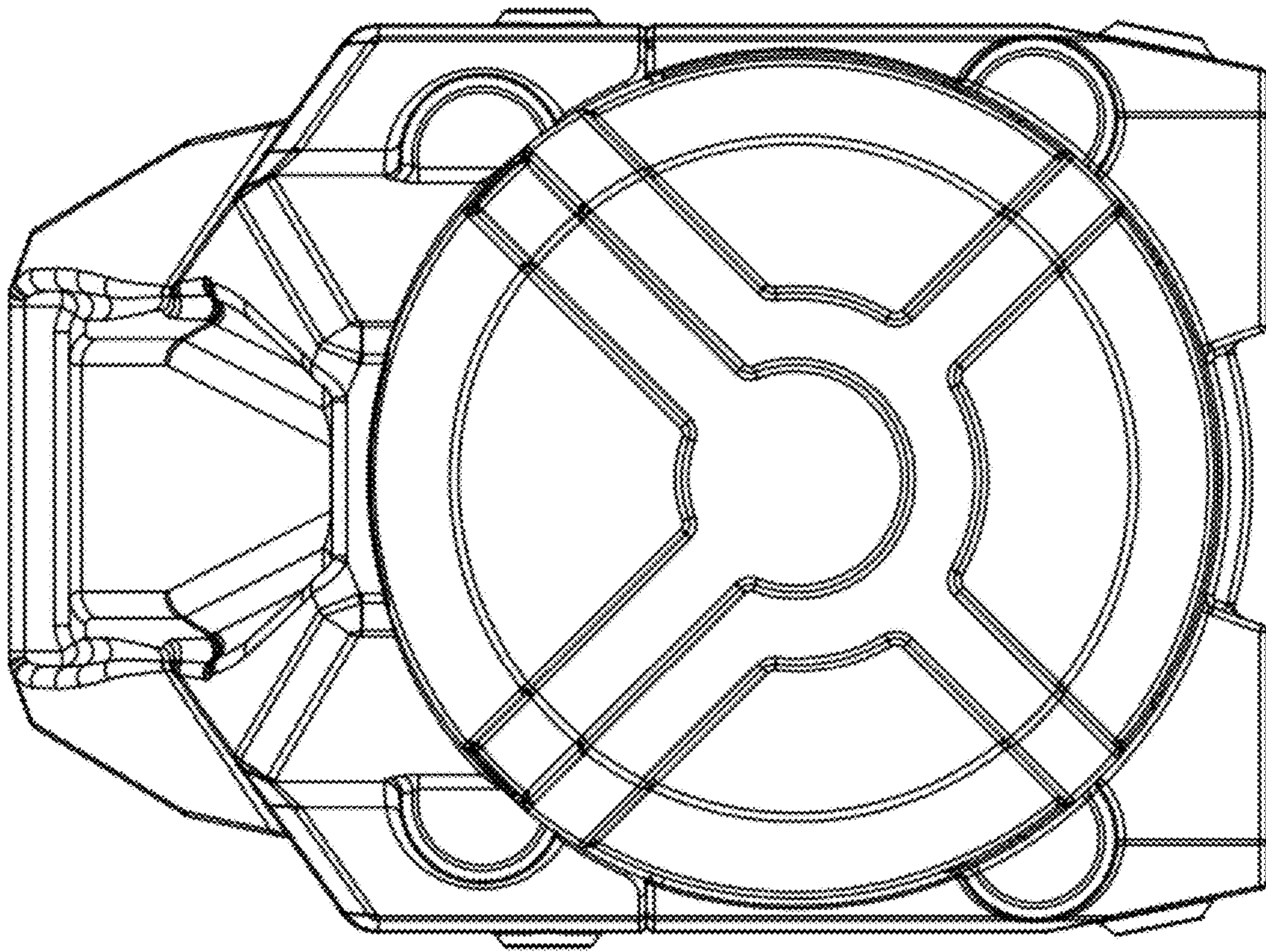


FIG. 3

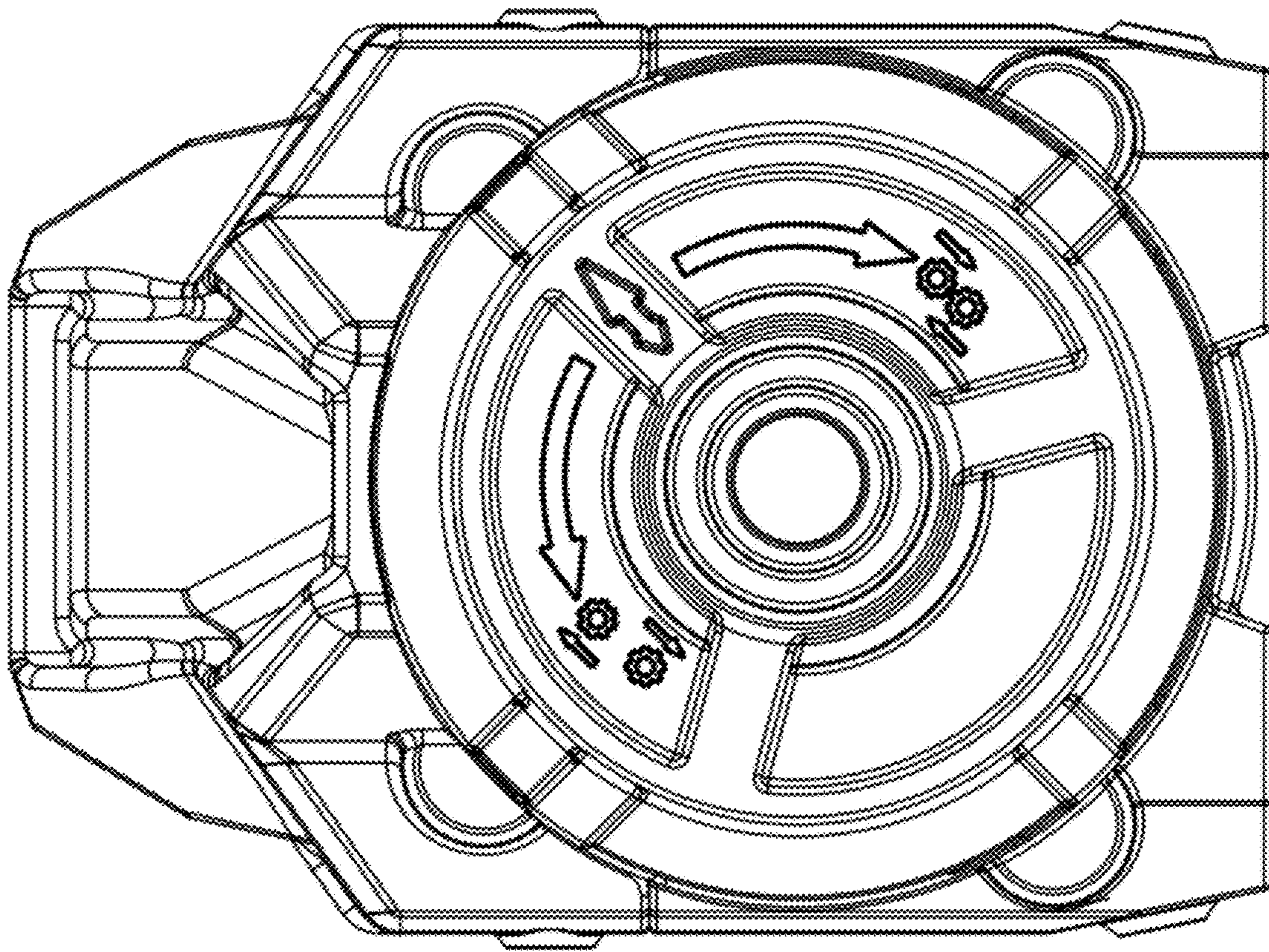


FIG. 4

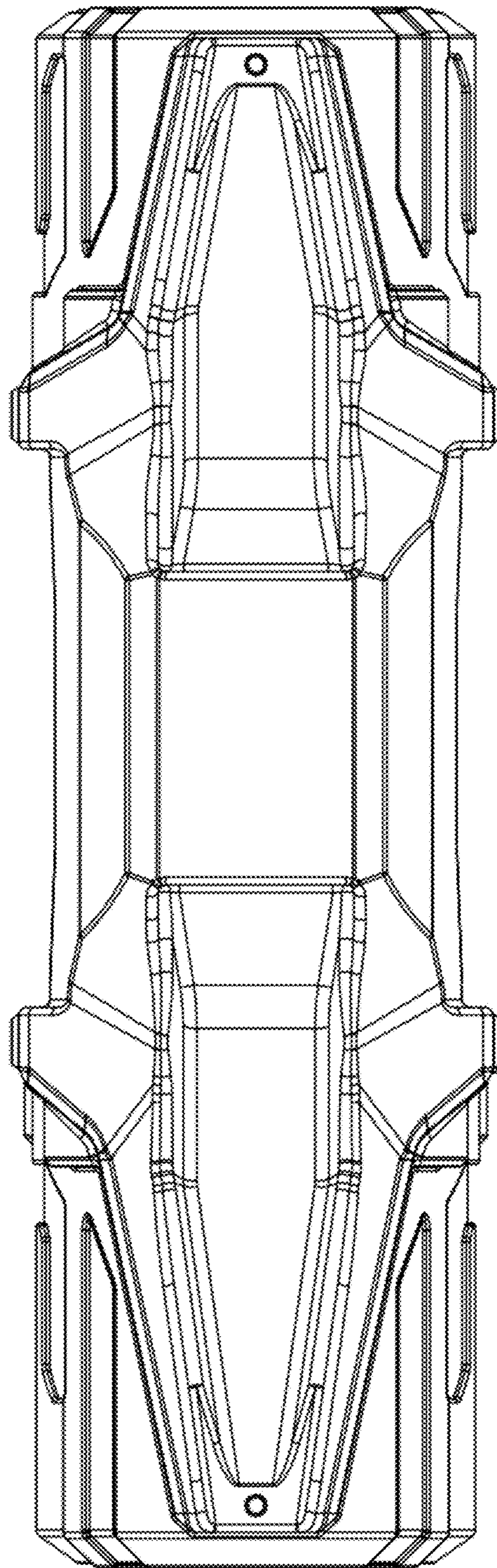


FIG. 5

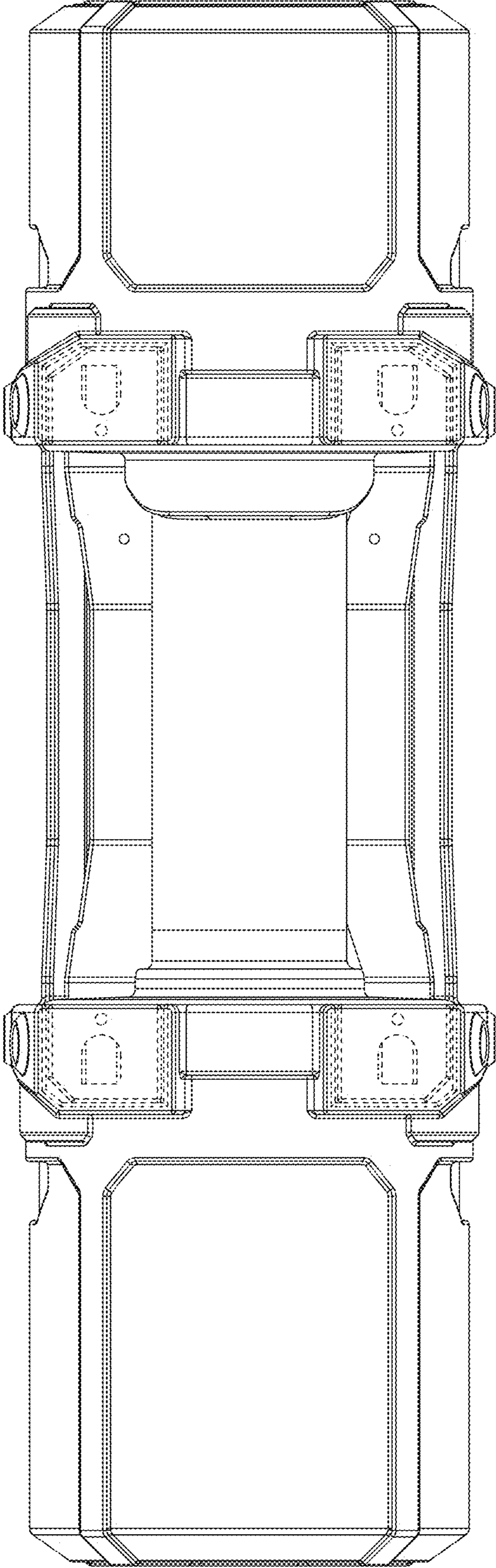


FIG. 6

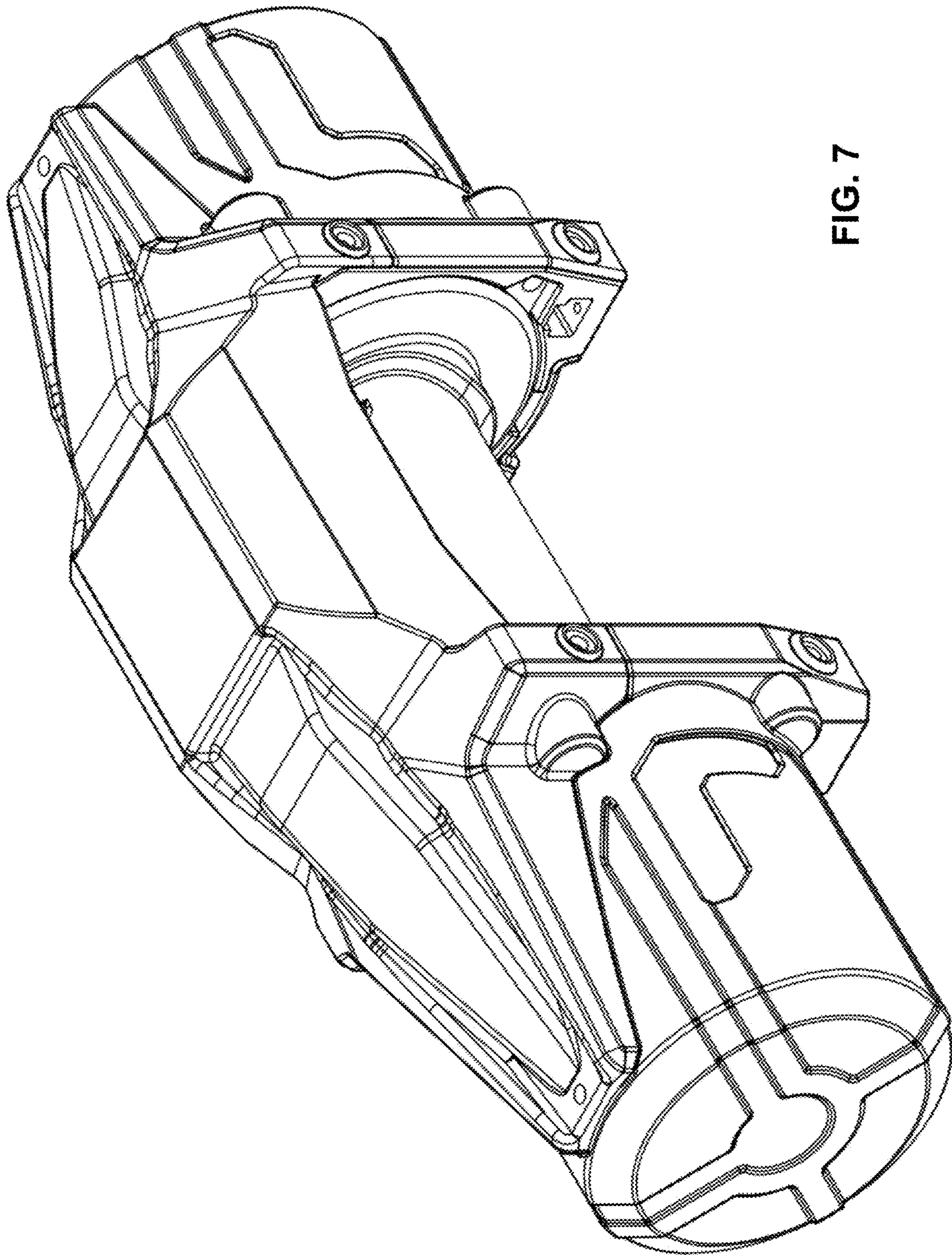


FIG. 7

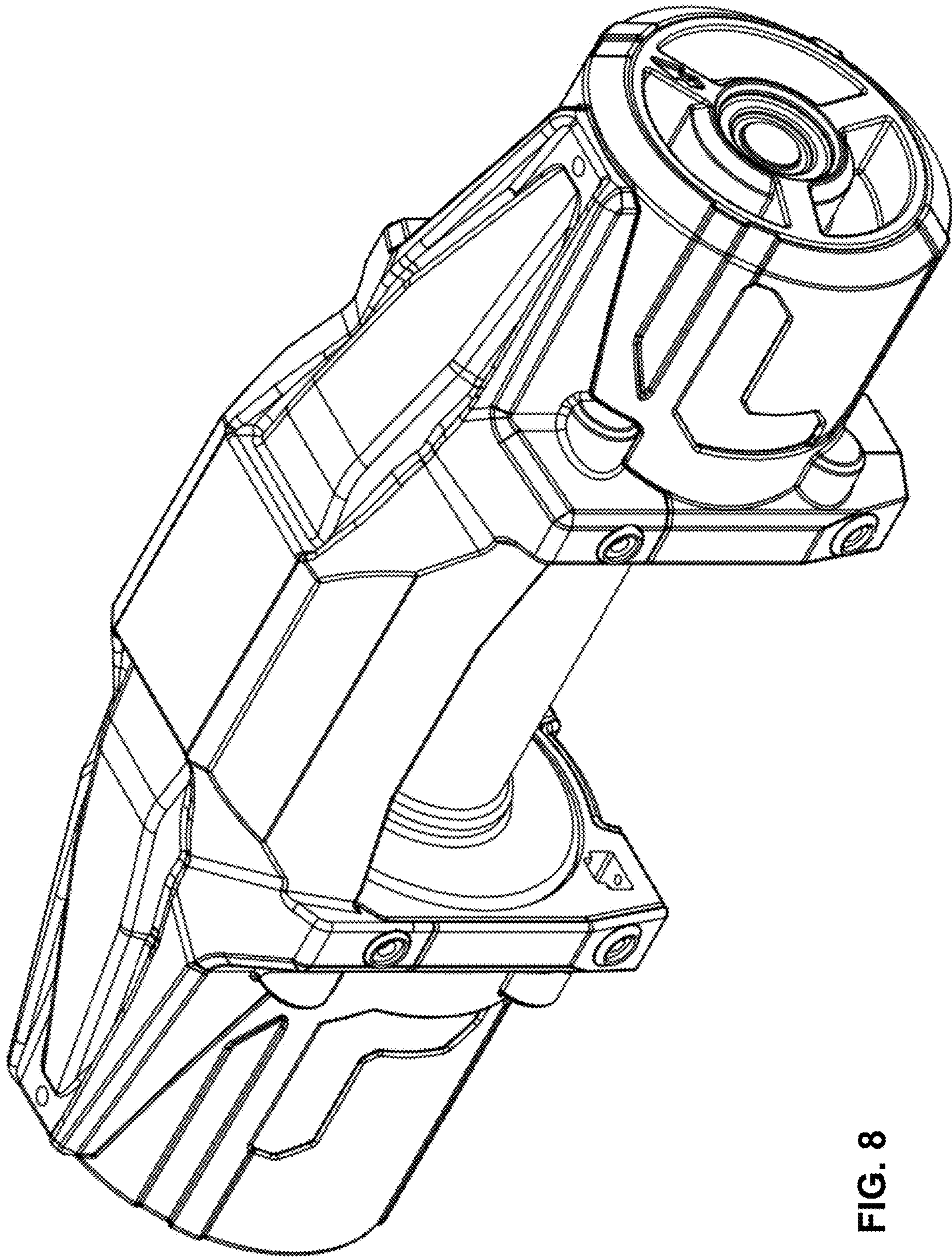


FIG. 8