



US00D932726S

(12) **United States Design Patent** (10) **Patent No.:** **US D932,726 S**
Rotem et al. (45) **Date of Patent:** **** Oct. 5, 2021**

(54) **VACUUM GRIPPER**
(71) Applicant: **NEMO POWER TOOLS LTD.**, Hong Kong (HK)
(72) Inventors: **Nimrod Rotem**, San Francisco, CA (US); **Oleg Joukov**, Shaar Efraim (IL)
(73) Assignee: **NEMO POWER TOOLS LTD.**, Hong Kong (CN)
(**) Term: **15 Years**

4,185,261 A * 1/1980 Nagata H01F 7/206
294/65.5
D269,939 S 8/1983 Norman
4,852,926 A 8/1989 Littell
5,190,332 A 3/1993 Nagai et al.
D337,411 S * 7/1993 Smith D13/183
(Continued)

FOREIGN PATENT DOCUMENTS

EP 3181027 A1 6/2017
GB 1036586 A 7/1966
(Continued)

(21) Appl. No.: **29/760,475**
(22) Filed: **Dec. 1, 2020**
(51) **LOC (13) Cl.** **12-05**
(52) **U.S. Cl.**
USPC **D34/28**
(58) **Field of Classification Search**
USPC D34/28; D8/354, 349
CPC ... B29C 48/022; B29C 48/0012; B29C 48/91;
B29C 48/03; B29C 44/26; B66C 1/023;
B66C 1/0281; B66C 1/0293; F16J 15/10;
F16J 15/022; F16J 15/104
See application file for complete search history.

OTHER PUBLICATIONS

Written Opinion and International Search Report dated Aug. 28, 2019 for PCT/IL2019/050502 filed May 5, 2019.

Primary Examiner — Cynthia Ramirez
(74) *Attorney, Agent, or Firm* — Connie R. Masters

(57) **CLAIM**

The ornamental design for a vacuum gripper, as shown and described.

DESCRIPTION

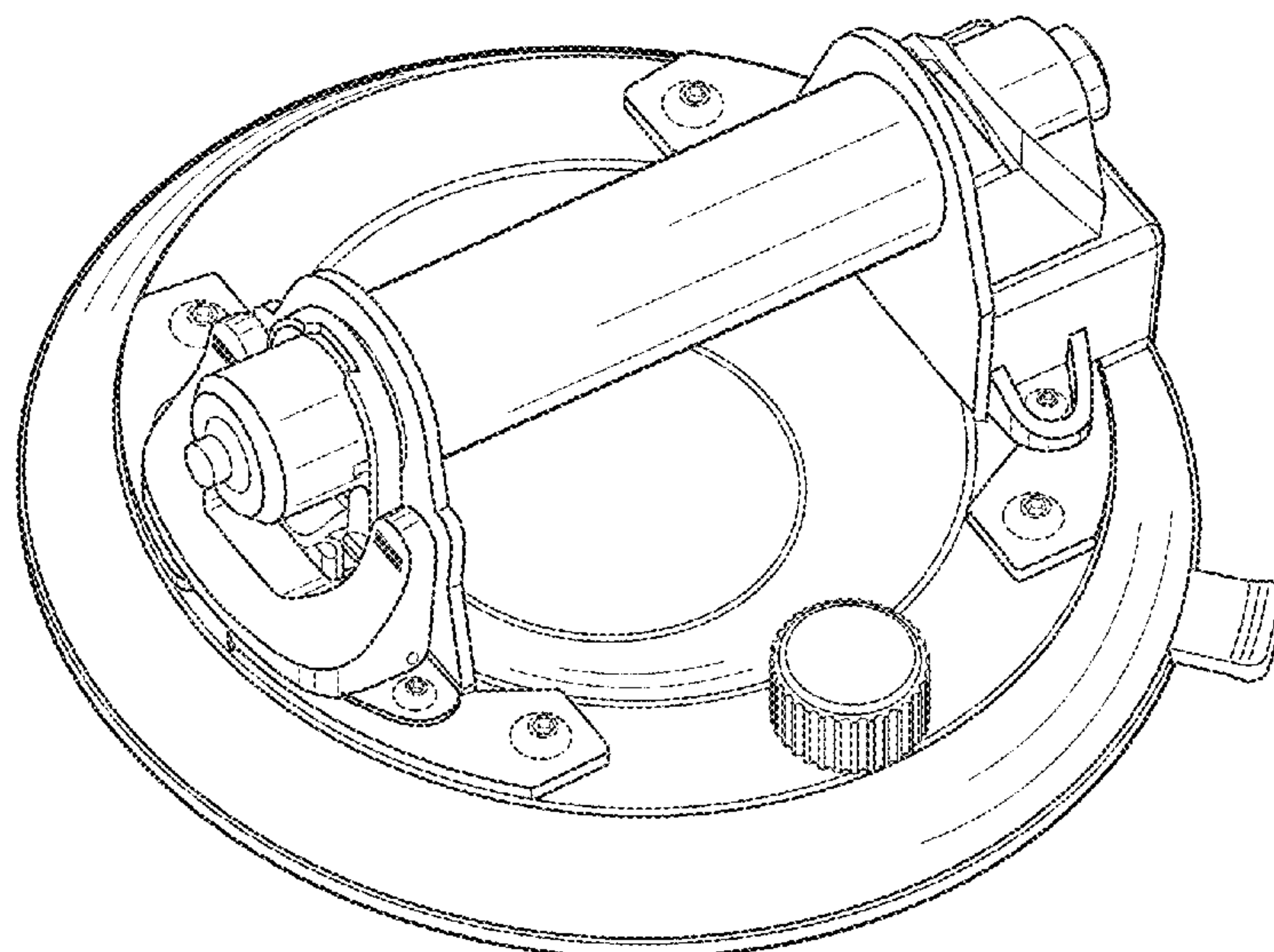
FIG. 1 is a perspective front view of a vacuum gripper, showing our new design;
FIG. 2 is a perspective front view of an alternate positioning thereof;
FIG. 3 is a perspective back view thereof;
FIG. 4 is a top view thereof;
FIG. 5 is a bottom view thereof;
FIG. 6 is a front view thereof;
FIG. 7 is a back view thereof;
FIG. 8 is a left side view thereof;
FIG. 9 is a right side view thereof; and,
FIG. 10 is a bottom perspective view thereof.
The broken lines depict portions of the vacuum gripper that form no part of the claimed design.

(56) **References Cited**

U.S. PATENT DOCUMENTS

1,294,103 A 2/1919 Hitchcock
2,837,702 A * 6/1958 Blind H01F 7/206
335/291
2,920,916 A 1/1960 Pagdin
3,506,297 A 4/1970 Creskoff
3,763,453 A * 10/1973 Schurr H01F 7/206
335/292
3,915,241 A 10/1975 Bieri
3,970,341 A * 7/1976 Glanemann B66C 1/0212
294/186
D246,500 S 11/1977 Poulsen et al.
4,112,248 A * 9/1978 Leive H01F 7/206
174/50

1 Claim, 10 Drawing Sheets



(56)

References Cited

U.S. PATENT DOCUMENTS

5,375,895 A 12/1994 Volkert
 D386,842 S 11/1997 Hoshino et al.
 5,748,062 A * 5/1998 Kirkpatrick H01F 7/206
 294/65.5
 6,039,371 A * 3/2000 Smith E04F 21/22
 254/200
 6,213,528 B1 4/2001 Hufken et al.
 6,244,778 B1 6/2001 Chesbrough
 D446,623 S * 8/2001 Smith D34/35
 6,279,976 B1 8/2001 Ball
 6,296,426 B1 10/2001 King et al.
 6,382,692 B1 5/2002 Schmalz et al.
 6,413,022 B1 7/2002 Sarh
 6,502,877 B2 1/2003 Schick et al.
 D490,201 S * 5/2004 Liao D34/28
 7,086,675 B2 8/2006 Jacobs
 7,222,901 B2 5/2007 Gebauer et al.
 7,267,512 B1 9/2007 Mueller
 7,404,536 B2 7/2008 Kalb
 D609,340 S 2/2010 Eder et al.
 7,712,807 B2 5/2010 Perlman et al.
 7,963,578 B2 6/2011 Wells et al.
 D651,505 S 1/2012 Roth et al.
 8,096,537 B2 1/2012 Browne et al.
 8,235,337 B2 8/2012 Ostendarp

8,267,386 B2 9/2012 Schaaf et al.
 8,414,045 B2 4/2013 Schaaf
 8,500,181 B2 8/2013 Ostendarp et al.
 9,062,689 B2 6/2015 Schaaf
 9,108,319 B2 8/2015 Kniss et al.
 9,215,962 B2 12/2015 Qian
 9,815,209 B2 11/2017 Pinet et al.
 D879,396 S 3/2020 Knight
 D880,087 S 3/2020 Knight
 D893,981 S * 8/2020 Livingston, Jr. D8/315
 2007/0200378 A1 * 8/2007 Johnson B66C 1/0256
 294/65
 2007/0241575 A1 * 10/2007 Lundin B66C 1/0293
 294/183
 2009/0166490 A1 * 7/2009 Liao F16B 47/00
 248/205.8
 2010/0150743 A1 * 6/2010 Dellach B66C 1/0212
 417/182
 2014/0035304 A1 * 2/2014 Seebauer B66C 1/0293
 294/189
 2018/0094728 A1 * 4/2018 Denton F16J 15/022
 2021/0033193 A1 * 2/2021 Aoki F16J 15/025

FOREIGN PATENT DOCUMENTS

GB 1193899 A 6/1970
 WO 2010110719 A1 9/2010

* cited by examiner

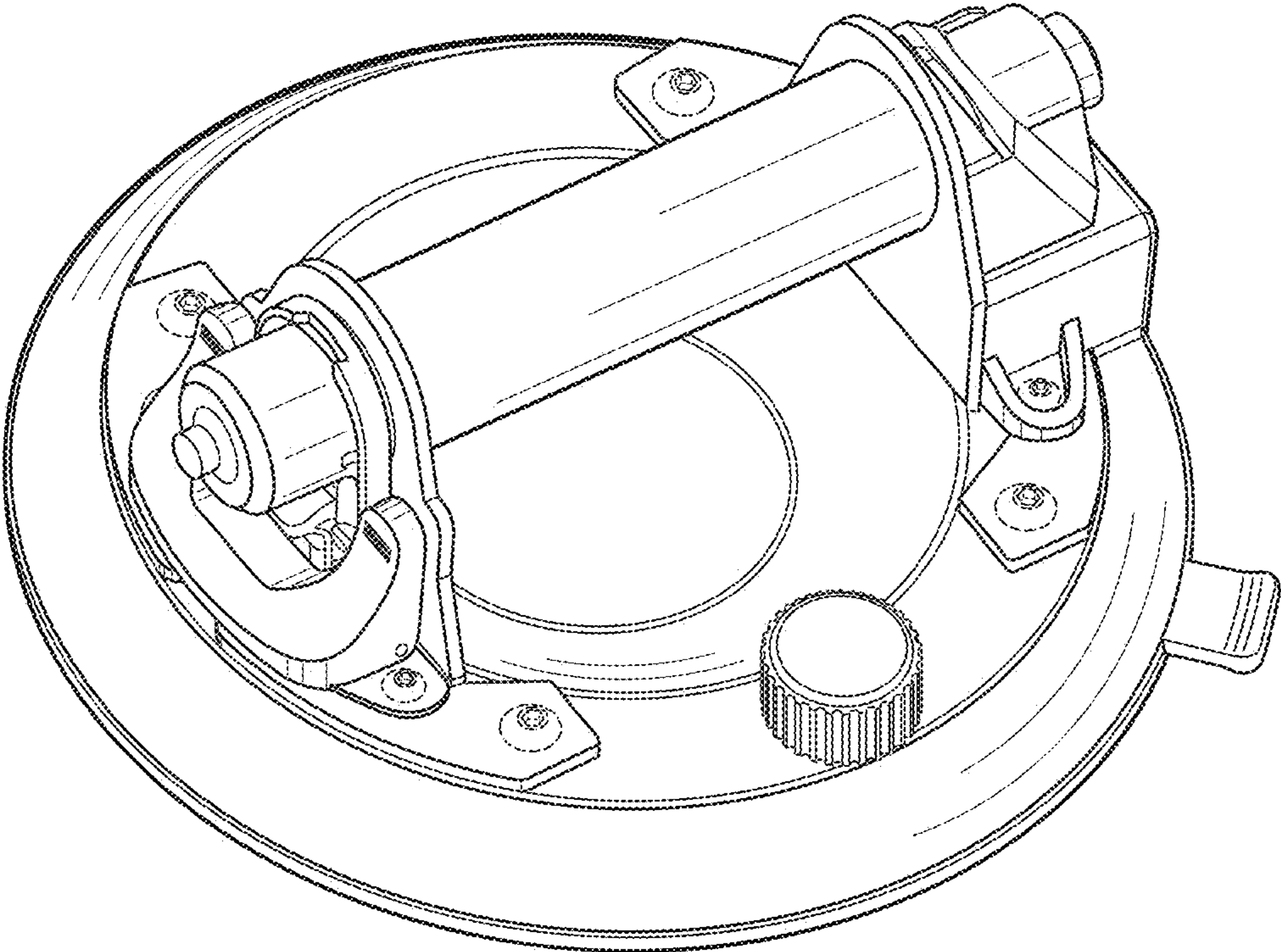


FIG. 1

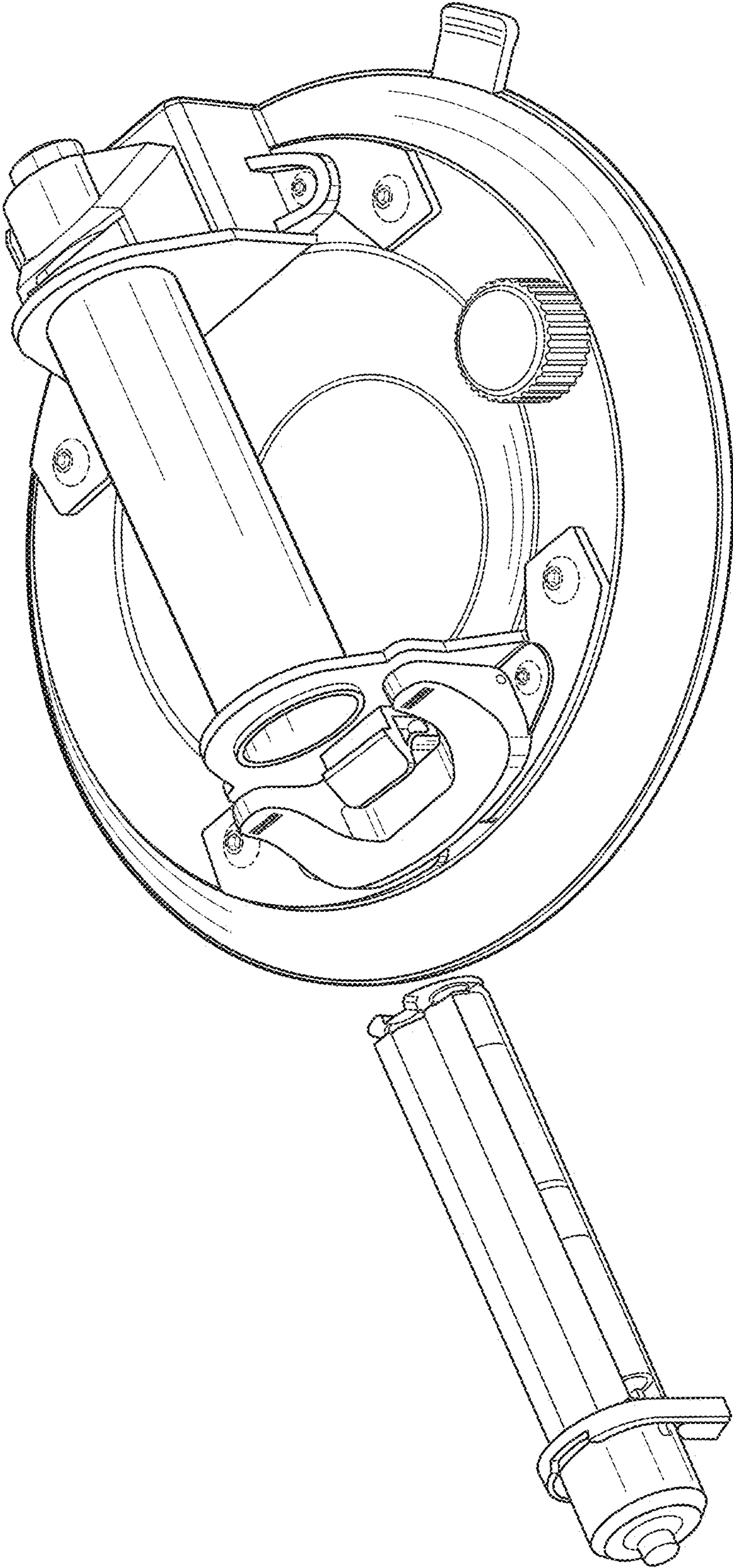


FIG. 2

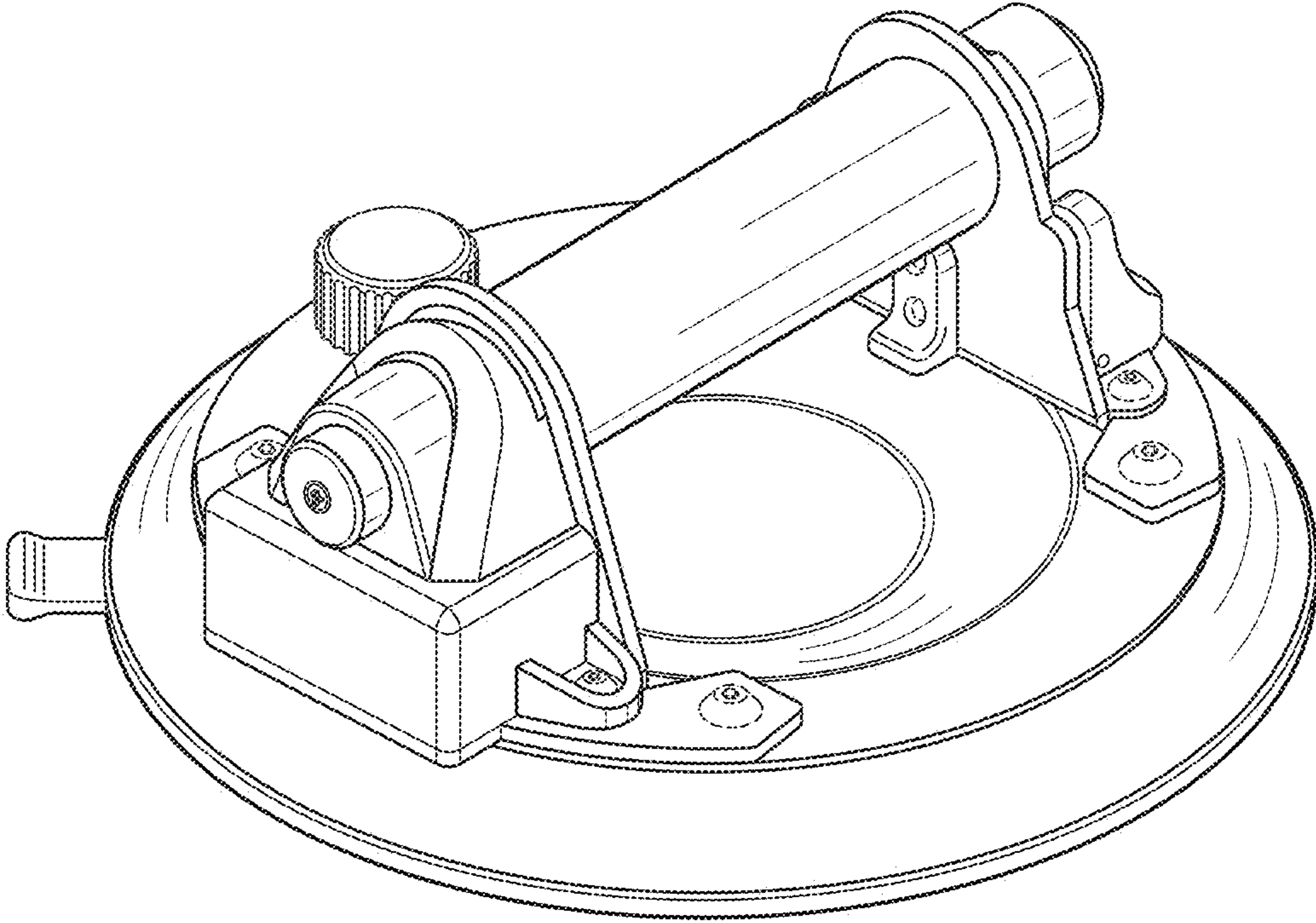


FIG. 3

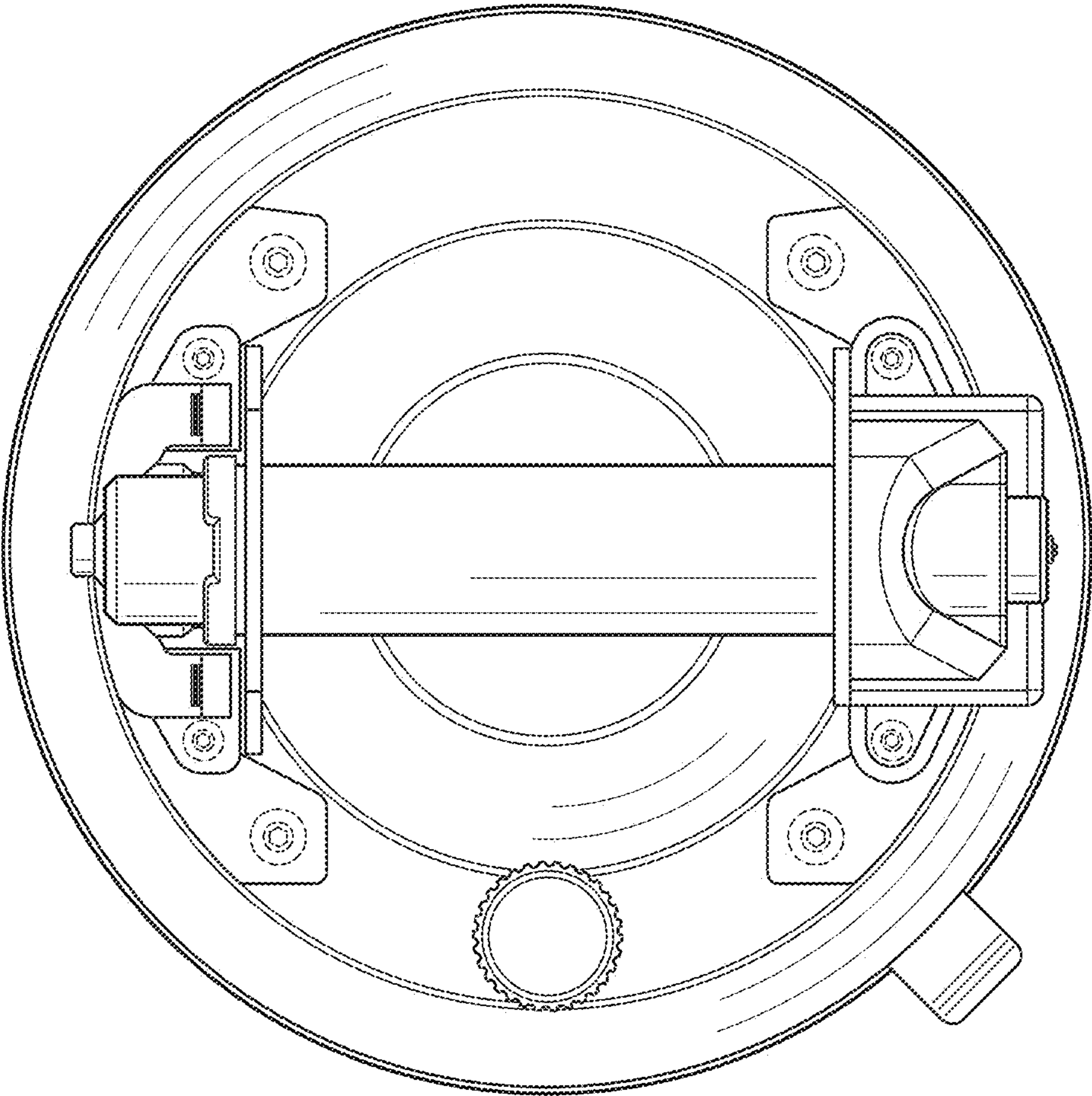


FIG. 4

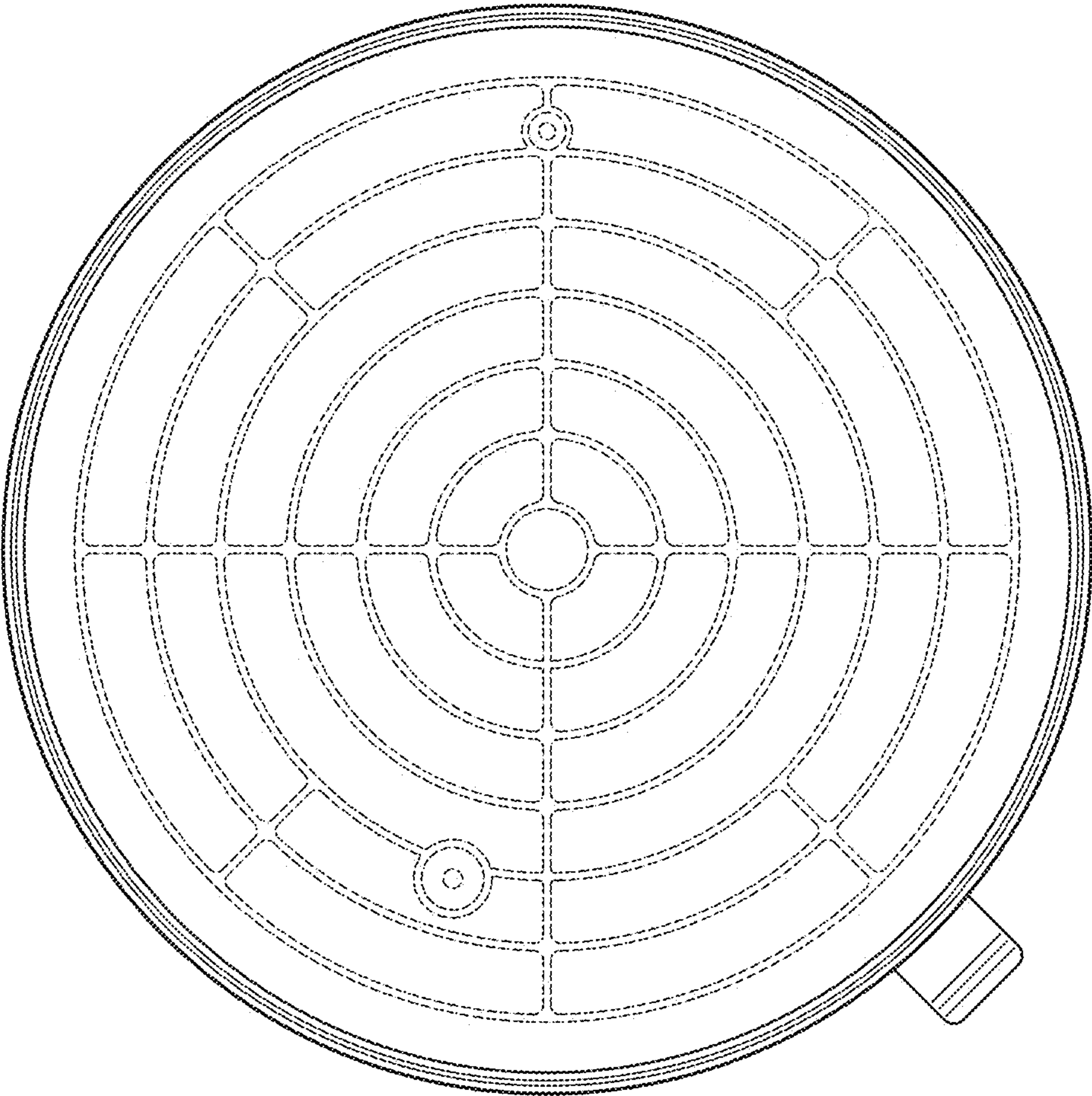


FIG. 5

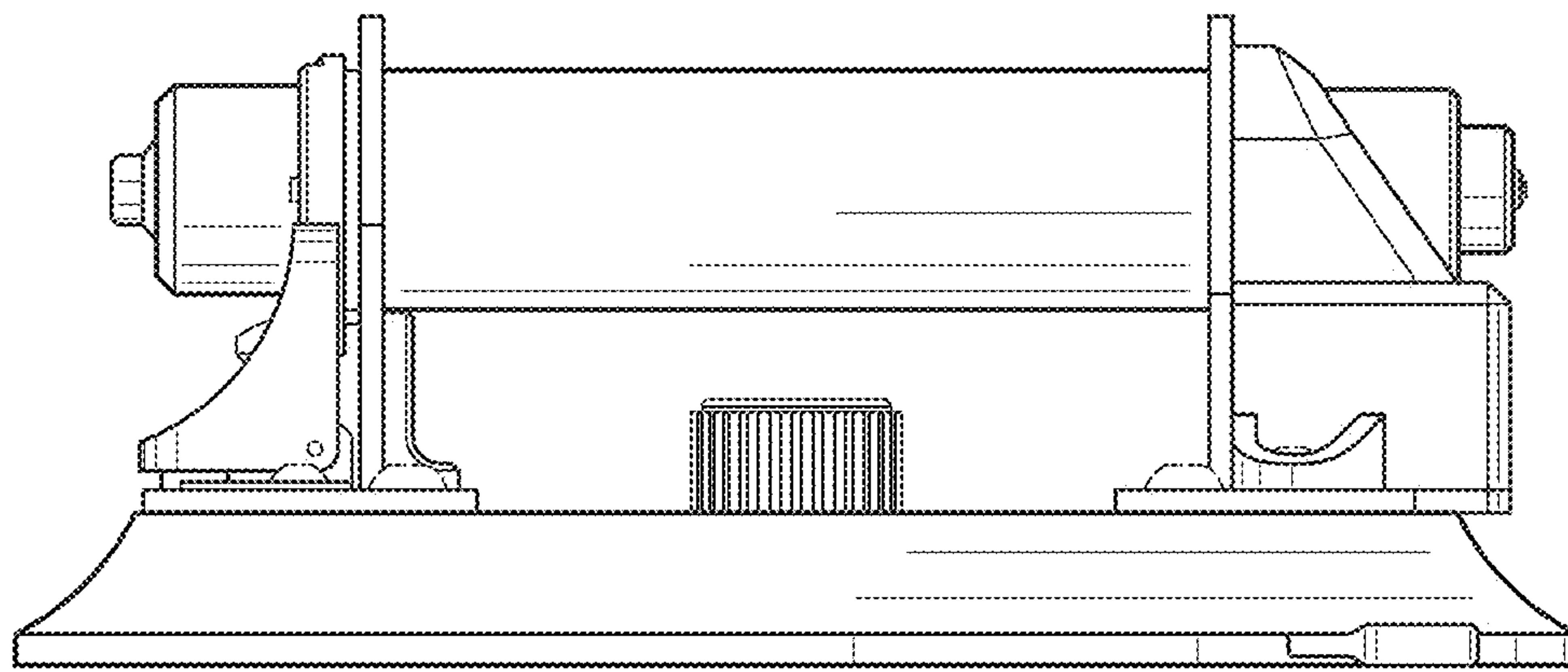


FIG. 6

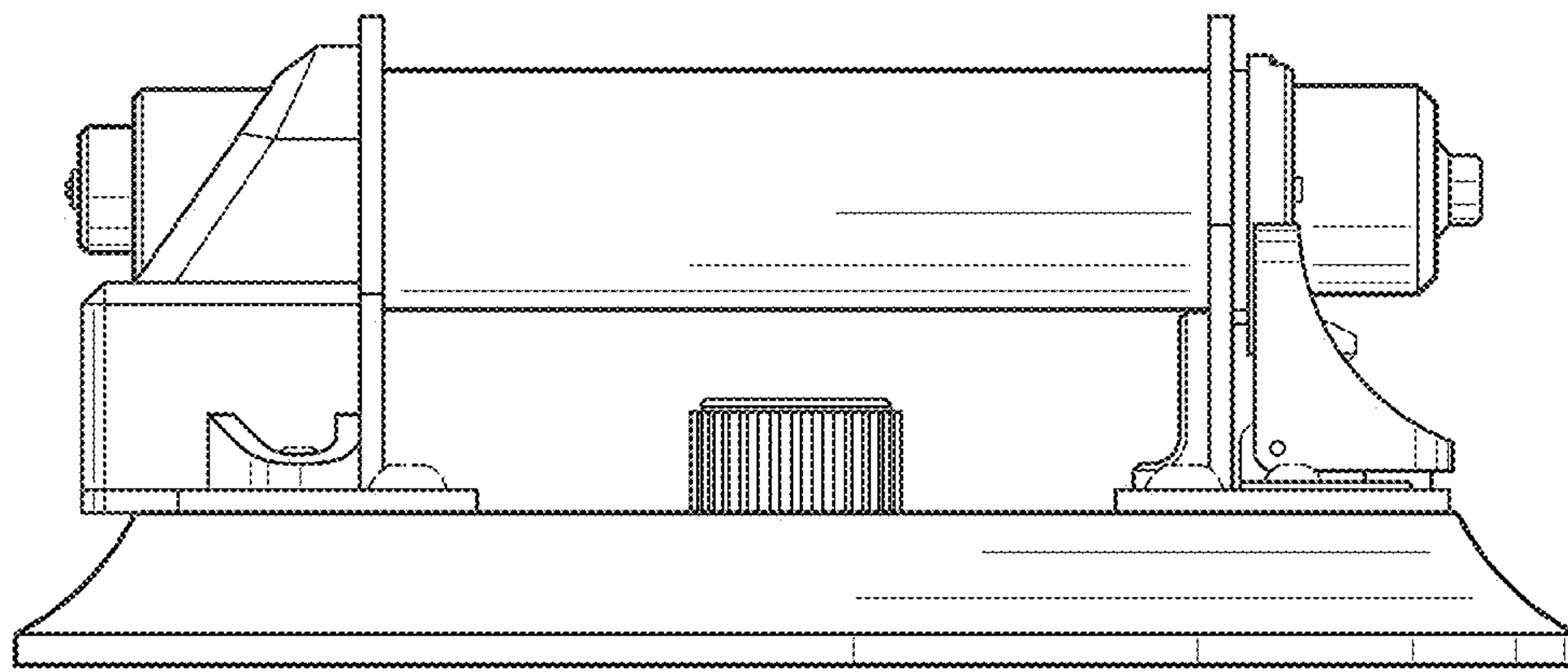


FIG. 7

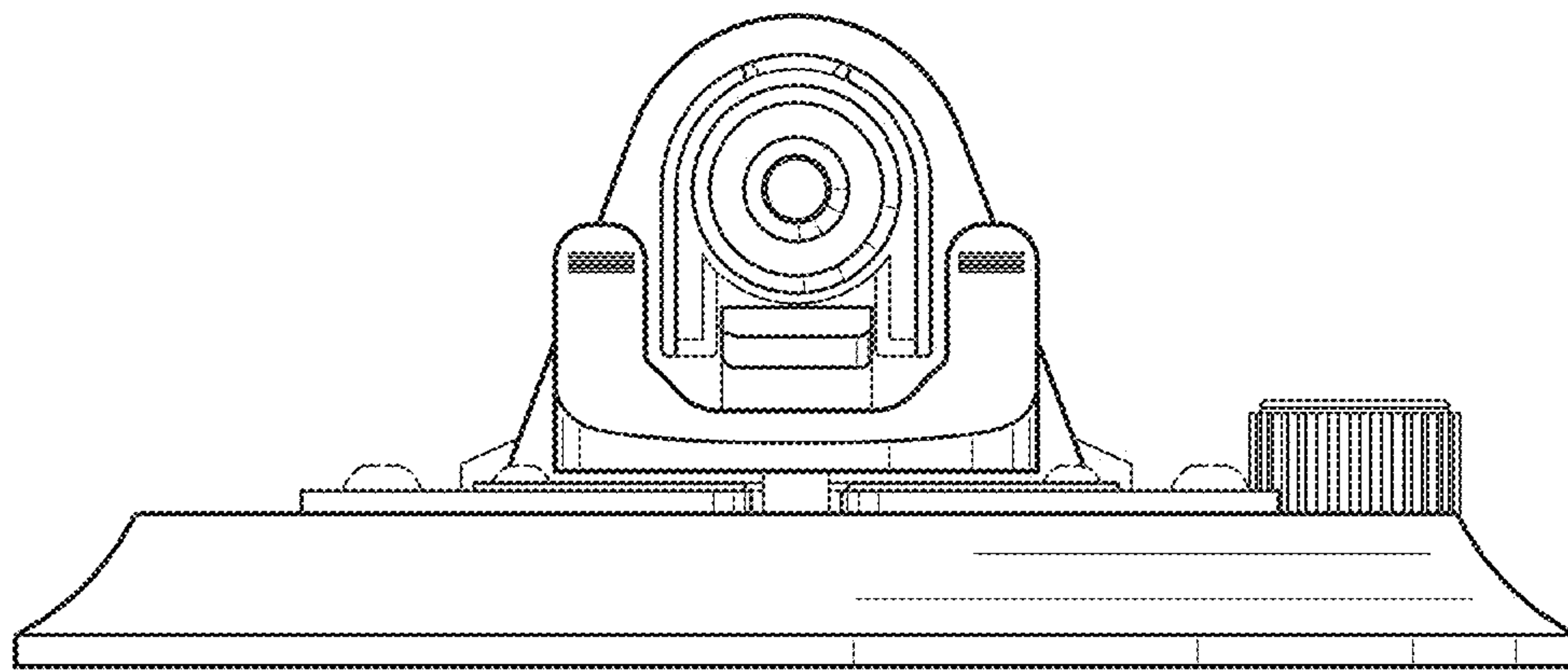


FIG. 8

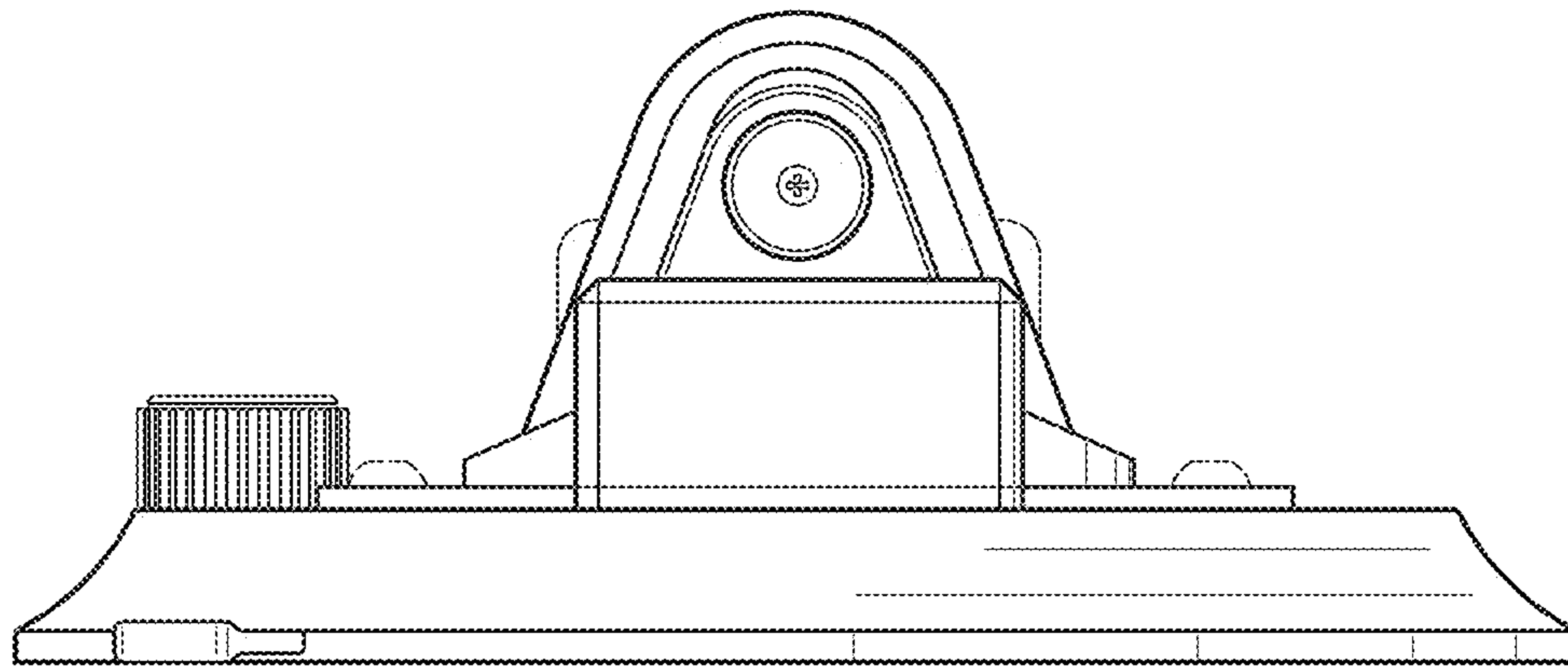


FIG. 9

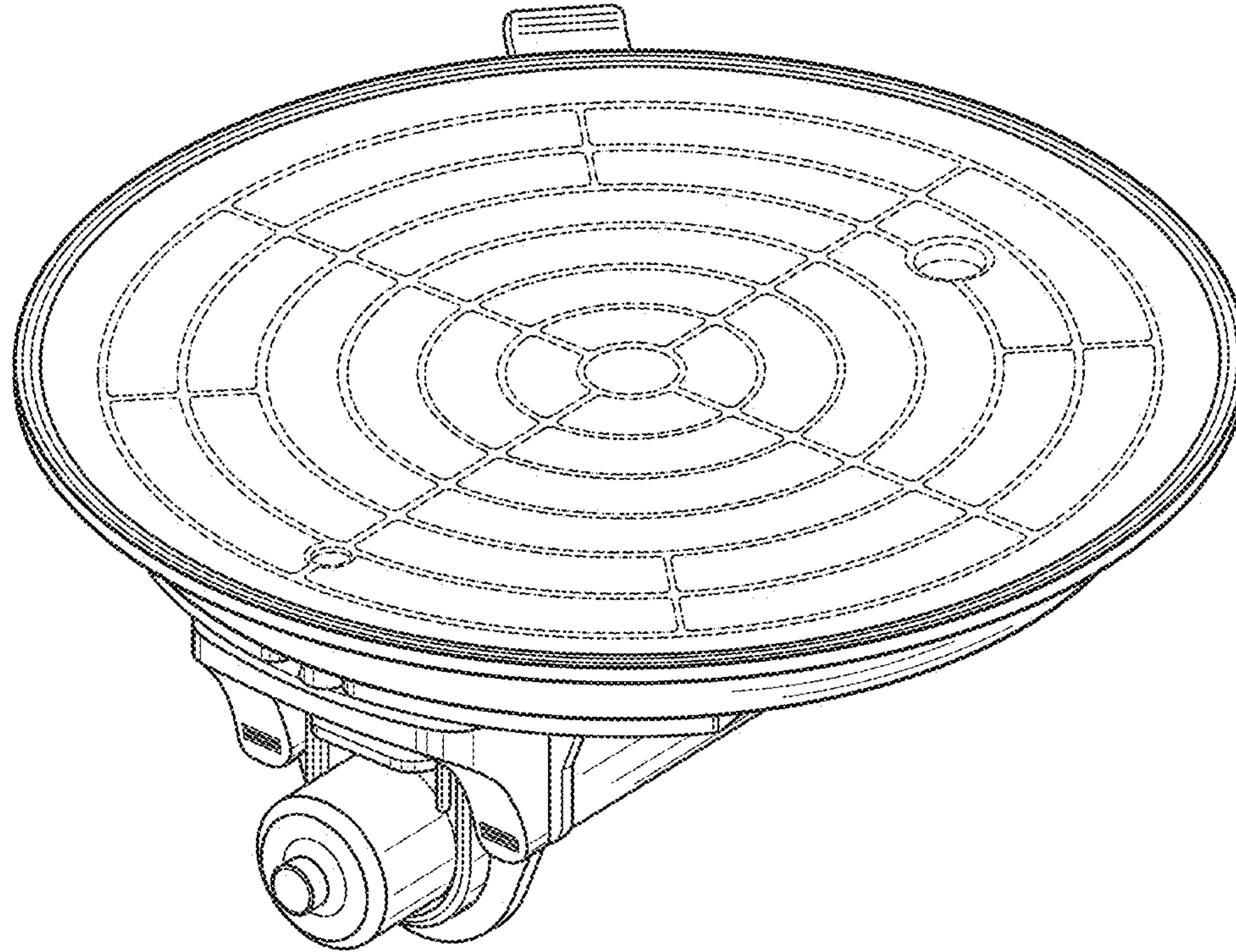


FIG. 10