

US00D932725S

(12) **United States Design Patent** (10) **Patent No.:** **US D932,725 S**
Kobayashi et al. (45) **Date of Patent:** **** Oct. 5, 2021**

(54) **CART**

(71) Applicant: **Tokyo Electron Limited**, Tokyo (JP)

(72) Inventors: **Masahiro Kobayashi**, Iwate (JP);
Michihiro Takahashi, Iwate (JP);
Harunari Hasegawa, Iwate (JP);
Yoshihisa Kumagai, Iwate (JP)

(73) Assignee: **Tokyo Electron Limited**, Tokyo (JP)

(**) Term: **15 Years**

(21) Appl. No.: **29/727,804**

(22) Filed: **Mar. 13, 2020**

(30) **Foreign Application Priority Data**

Sep. 20, 2019 (JP) 2019-021155

(51) **LOC (13) Cl.** **12-02**

(52) **U.S. Cl.**
USPC **D34/17**

(58) **Field of Classification Search**
USPC D34/12-27
CPC B62B 3/14; B62B 3/1446; B62B 3/1476;
B62B 3/16; B62B 3/1472; B62B 3/12;
B62B 3/005; B62B 2202/30; B62B
2203/07; B62B 5/067; B62B 5/002; B62B
3/00

See application file for complete search history.

(56) **References Cited**

U.S. PATENT DOCUMENTS

3,830,164 A * 8/1974 Biessener B61B 10/00
104/170
D415,600 S * 10/1999 Hsieh D34/12

D566,925 S * 4/2008 Wu D34/12
D685,154 S * 6/2013 Ambrefe, Jr. D34/12
D833,102 S * 11/2018 Liao D34/12
D837,475 S * 1/2019 Yeo D34/17
D862,025 S * 10/2019 Walter D34/12
D875,342 S * 2/2020 Tseng D34/17
D904,714 S * 12/2020 Franks D34/12
D911,653 S * 2/2021 Rendall D34/12
2003/0234517 A1 * 12/2003 Sagol B62B 5/06
280/655.1
2008/0197592 A1 * 8/2008 Dukes B62B 5/06
280/47.34
2011/0175307 A1 * 7/2011 Tsai B62B 1/12
280/47.18
2014/0183832 A1 * 7/2014 Wang B62B 5/067
280/39
2016/0207554 A1 * 7/2016 Johnson B62B 5/0079
2018/0118245 A1 * 5/2018 Chung B62B 5/0073

* cited by examiner

Primary Examiner — Cynthia Ramirez
(74) *Attorney, Agent, or Firm* — IPUSA, PLLC

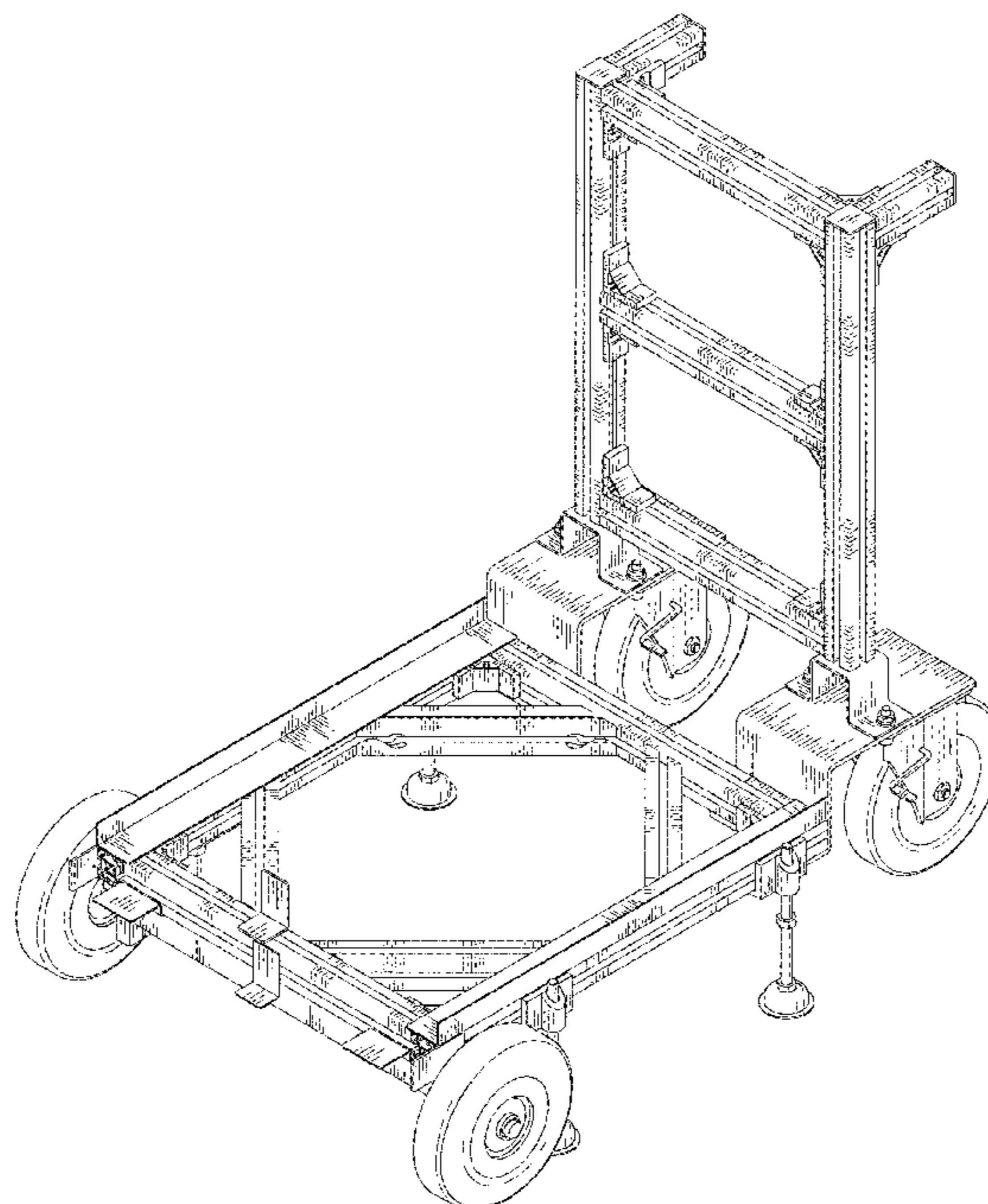
(57) **CLAIM**

The ornamental design for a cart, as shown and described.

DESCRIPTION

FIG. 1 is a perspective view of a cart, showing our new design;
FIG. 2 is a front view thereof;
FIG. 3 is a rear view thereof;
FIG. 4 is a top plan view thereof;
FIG. 5 is a bottom plan view thereof;
FIG. 6 is a right side view thereof; and,
FIG. 7 is a left side view thereof.

1 Claim, 7 Drawing Sheets



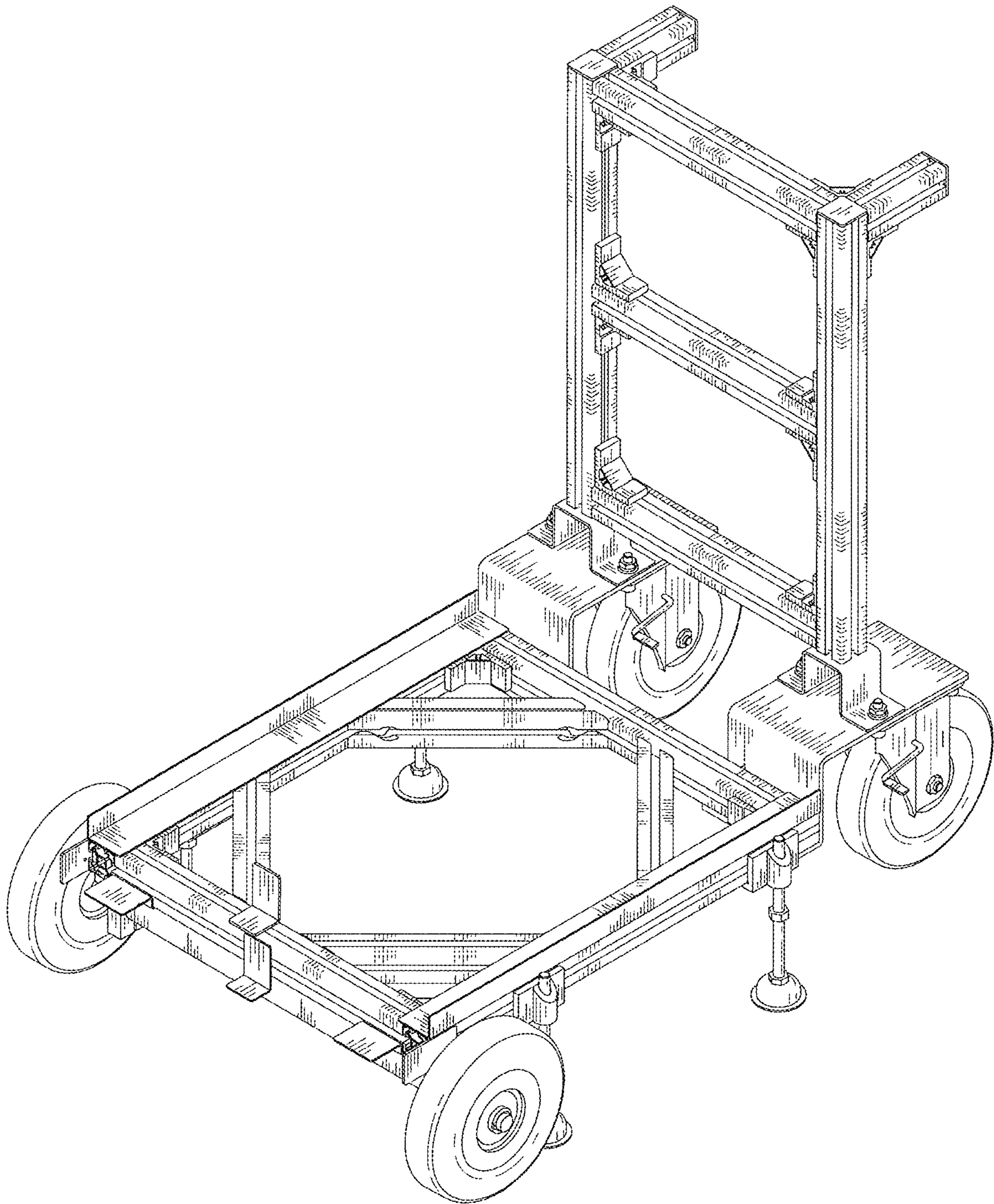


Fig. 1

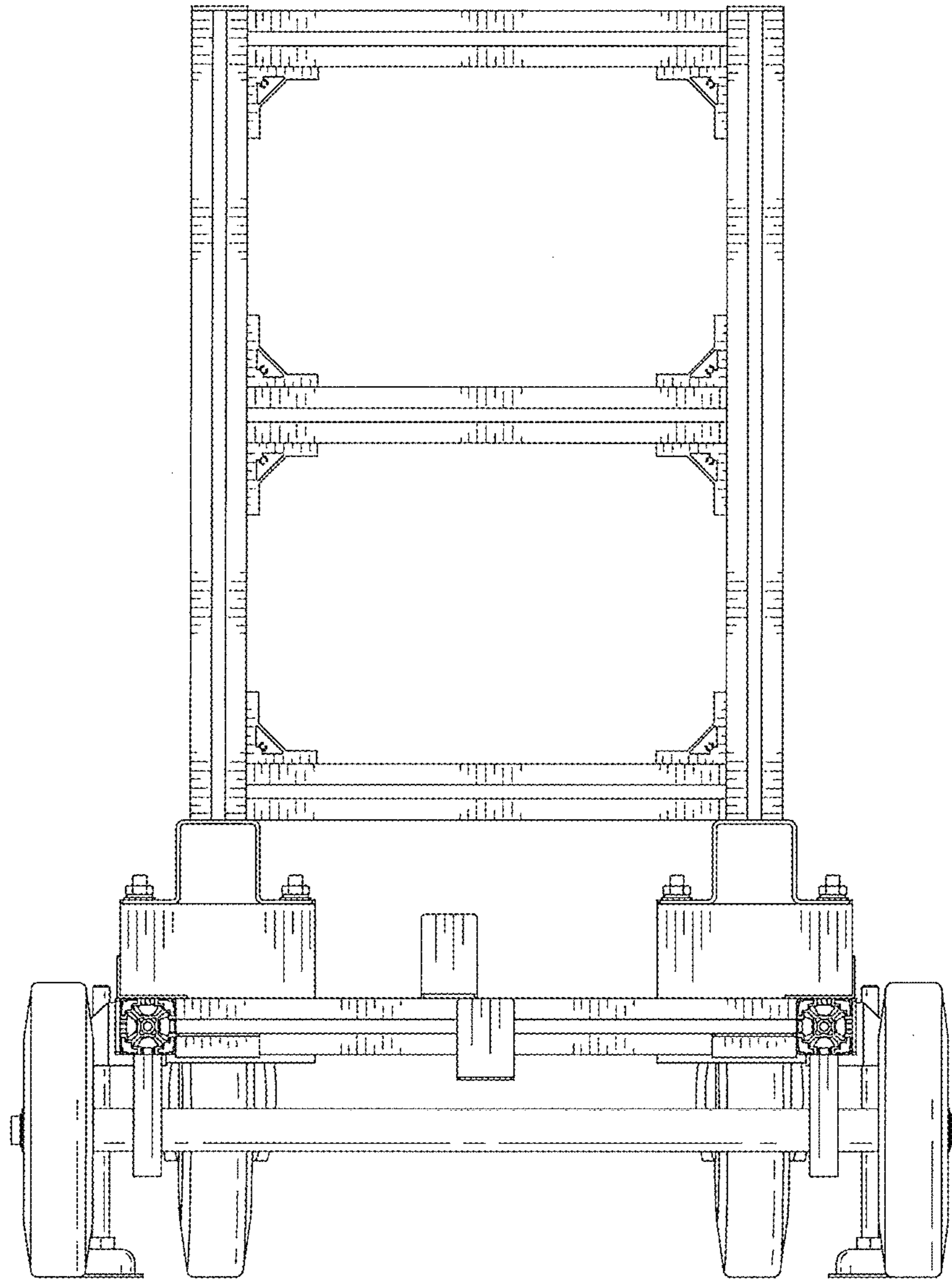


Fig. 2

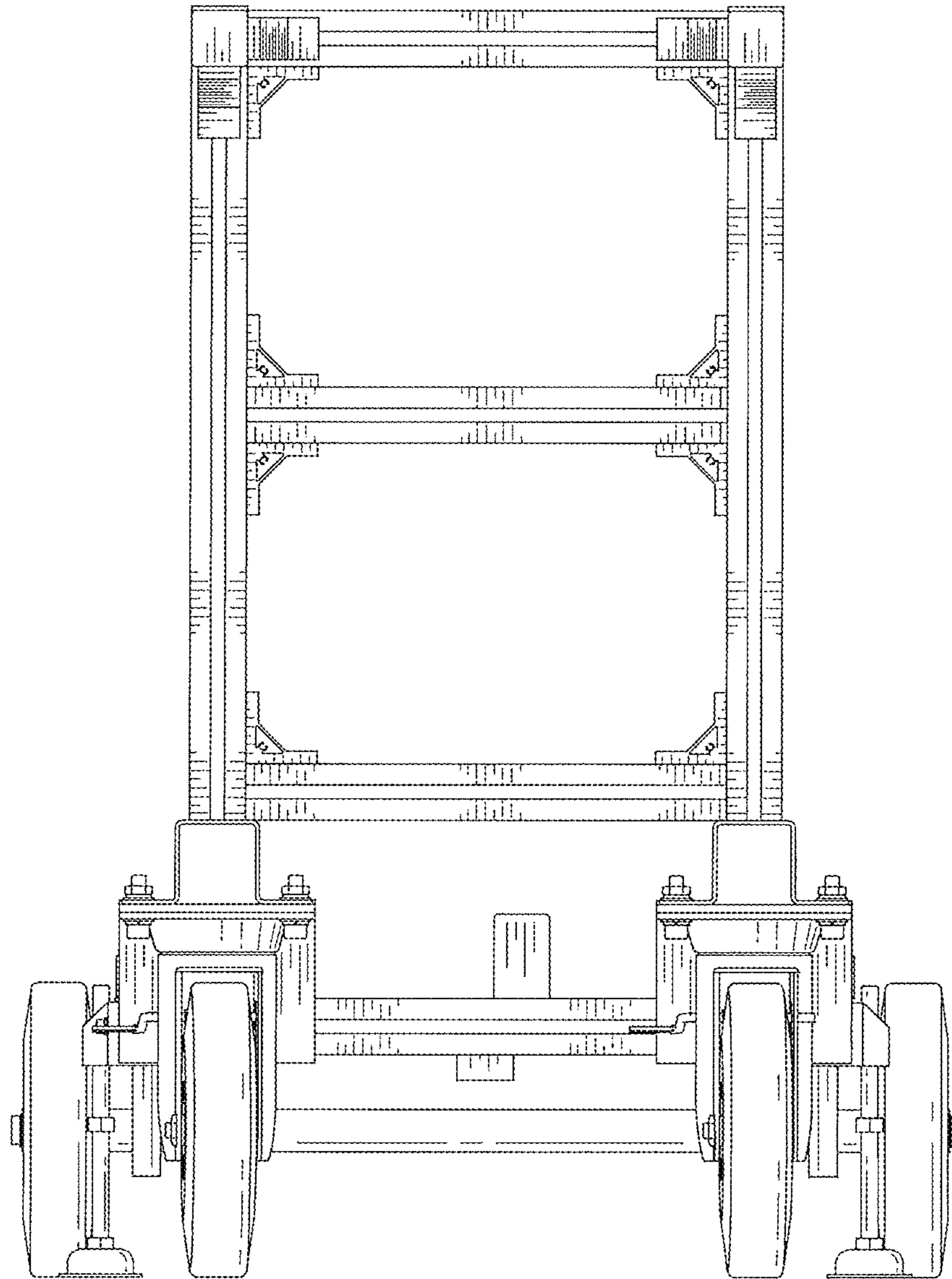


Fig. 3

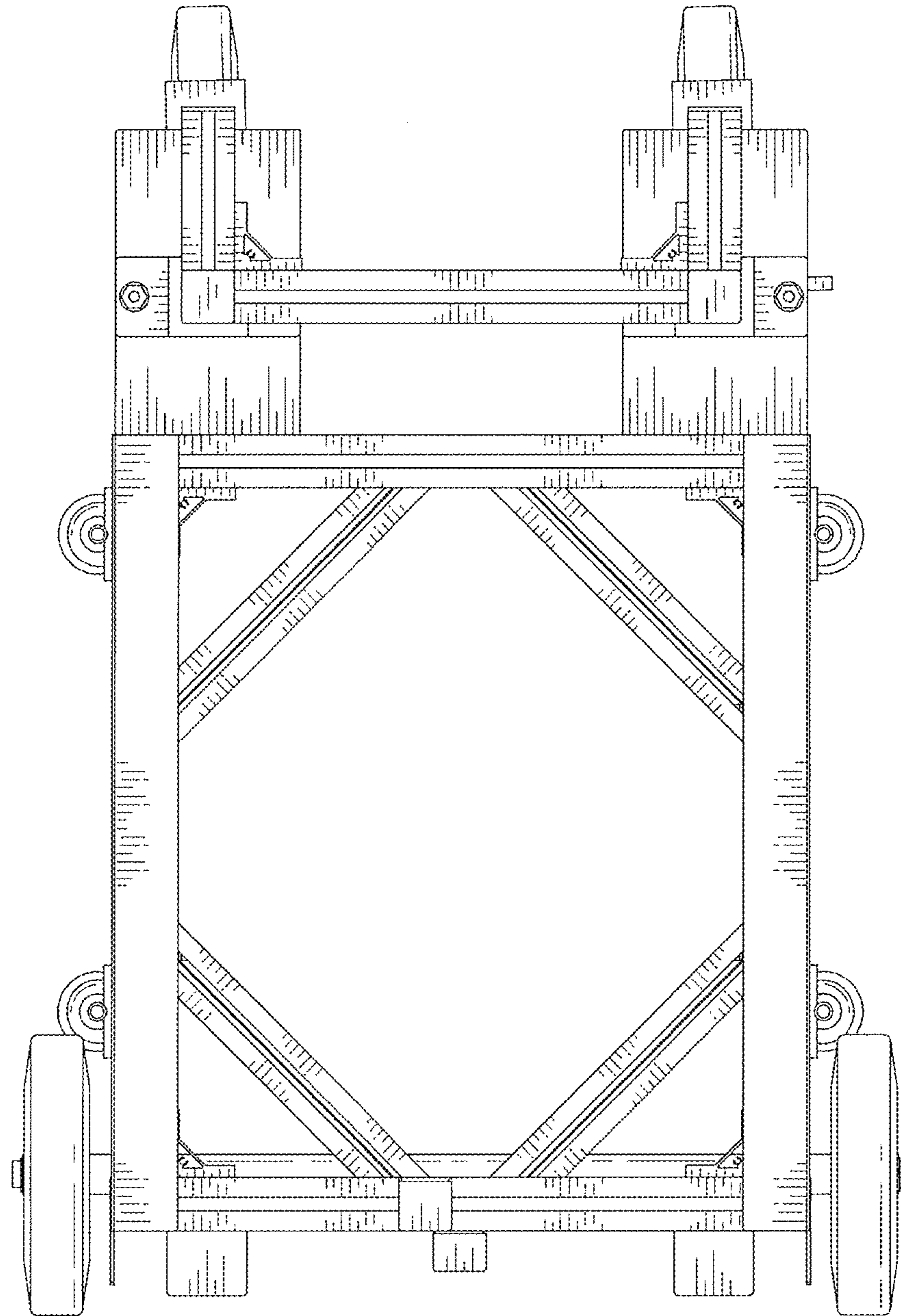


Fig. 4

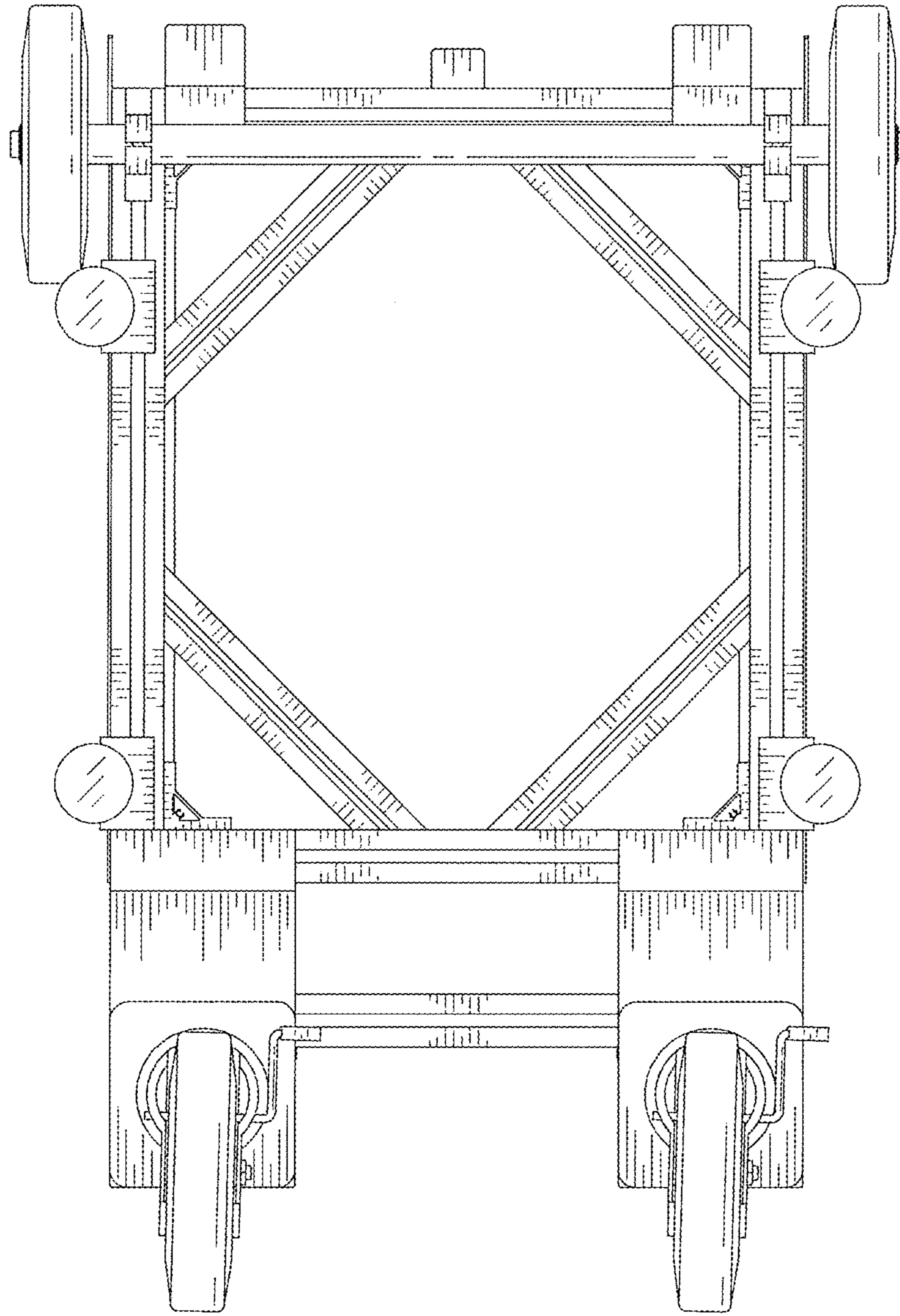


Fig. 5

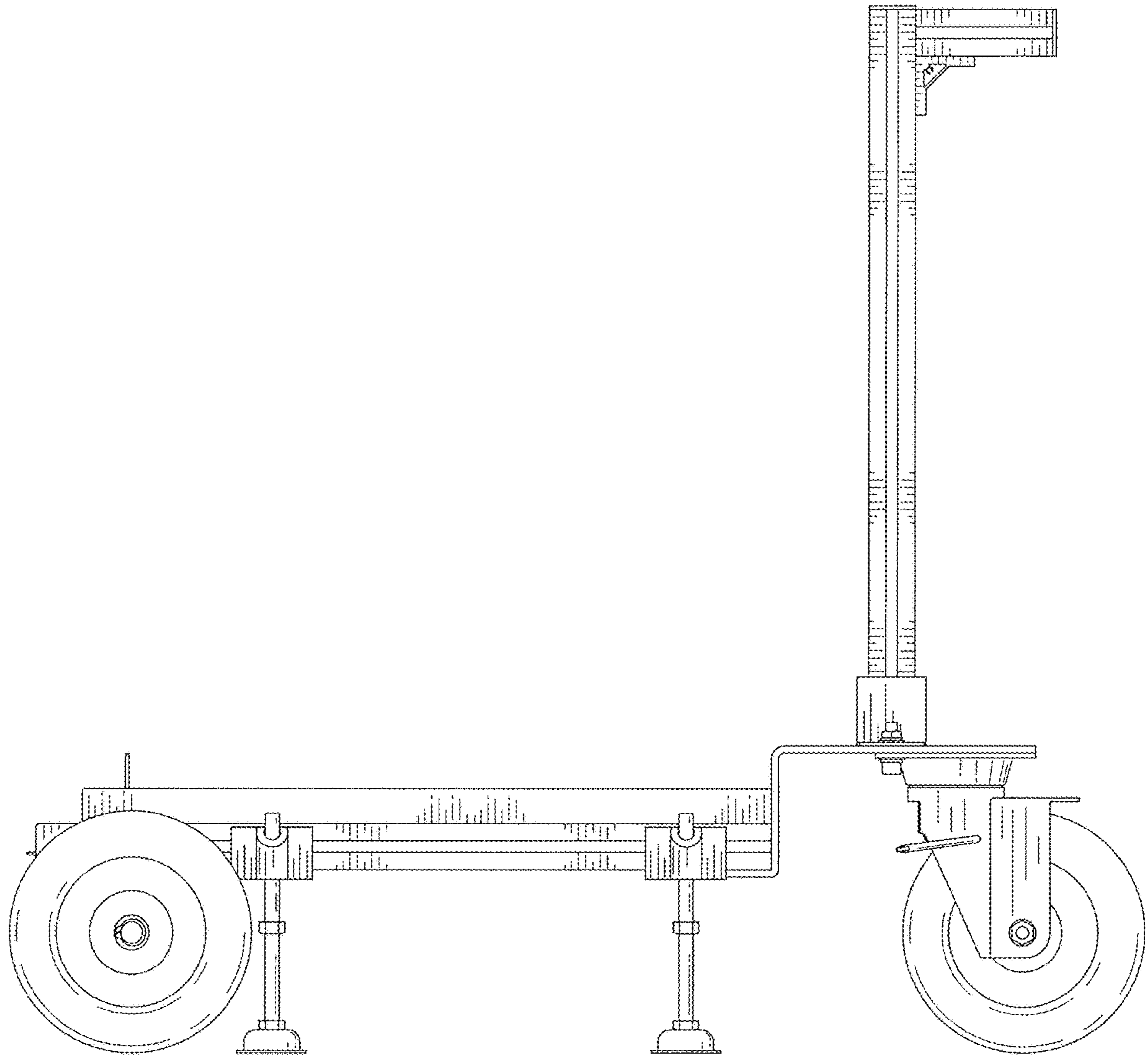


Fig. 6

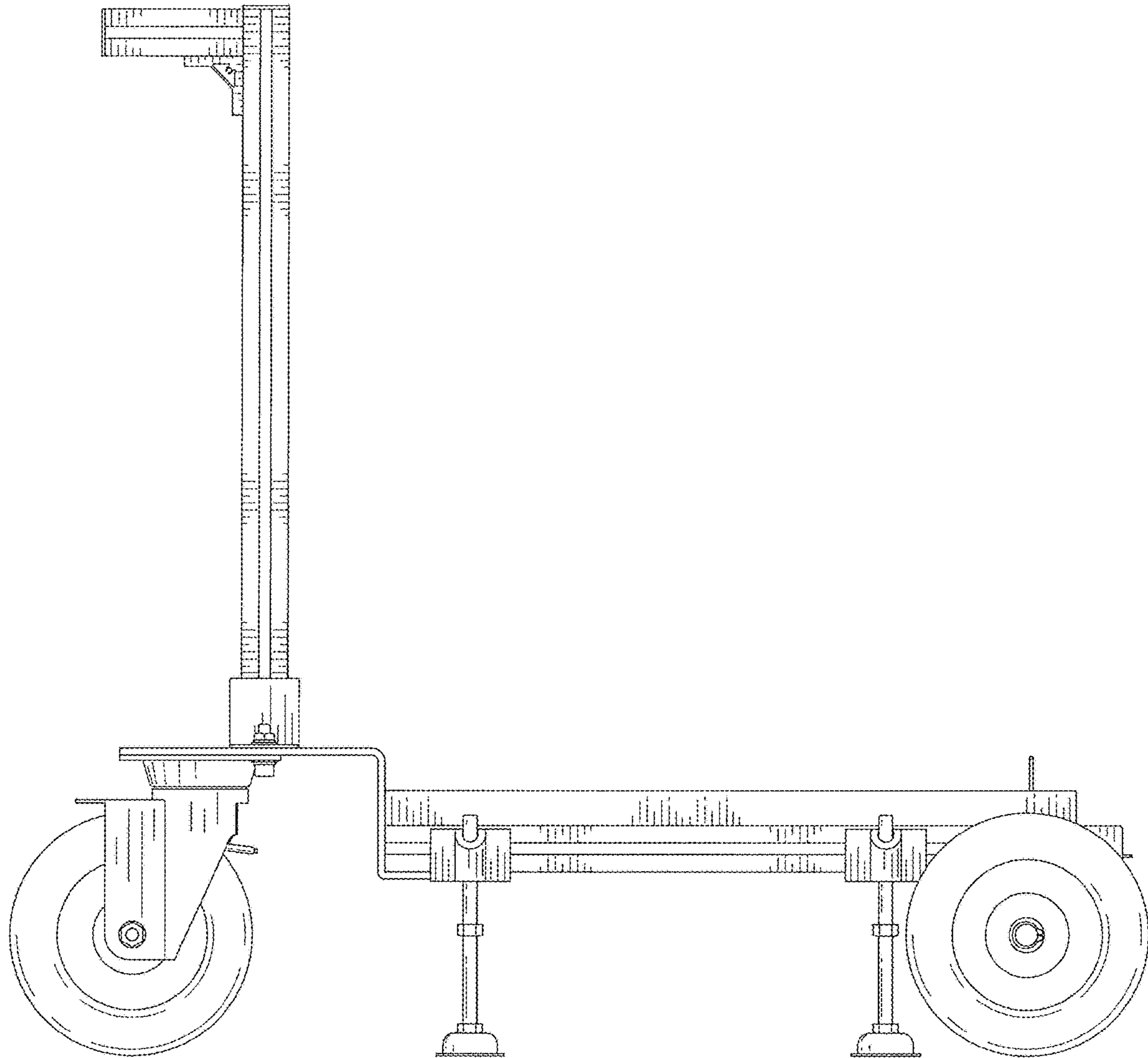


Fig. 7