



US00D932724S

(12) **United States Design Patent** (10) **Patent No.:** **US D932,724 S**
Doubet (45) **Date of Patent:** **** Oct. 5, 2021**

(54) **CART**

(71) Applicant: **Justin T. Doubet**, Parker, CO (US)

(72) Inventor: **Justin T. Doubet**, Parker, CO (US)

(**) Term: **15 Years**

(21) Appl. No.: **29/686,203**

(22) Filed: **Apr. 2, 2019**

Related U.S. Application Data

(63) Continuation of application No. 16/270,234, filed on Feb. 7, 2019, now Pat. No. 10,414,420, which is a continuation of application No. 15/990,669, filed on May 27, 2018, now Pat. No. 10,246,112.

(51) **LOC (13) Cl.** **12-02**

(52) **U.S. Cl.**
USPC **D34/12**

(58) **Field of Classification Search**
USPC D34/14, 17, 19, 24, 26, 20, 21
CPC .. B62B 1/10; B62B 1/12; B62B 3/086; B62B 3/1444; B62B 3/02; B62B 1/04; B62B 1/14; B62B 1/264
See application file for complete search history.

(56) **References Cited**

U.S. PATENT DOCUMENTS

5,192,092	A *	3/1993	DiBenedetto	B62B 1/12
					150/154
5,464,104	A	11/1995	MacArthur		
5,931,483	A *	8/1999	Haynes	B62B 1/12
					280/47.19
7,500,681	B2	3/2009	Steadman		
8,915,505	B2	12/2014	Plesh et al.		
D746,530	S *	12/2015	Marchant	D34/26
D787,147	S *	5/2017	Petrovich	D34/17
D800,406	S *	10/2017	Runzel	D34/14
D800,407	S *	10/2017	Runzel	D34/14
10,246,112	B1	4/2019	Doubet		

(Continued)

OTHER PUBLICATIONS

“Sullivan Supply—Texas—Sullivan’s Showcase Dolly”, Web-published by Sullivan Supply, Inc , printed from <http://www.sullivansupply.com/cart/tx/p-1486-sullivans-showcase-dolly.aspx> on Apr. 9, 2018. 2 pages.

(Continued)

Primary Examiner — Cynthia Ramirez

(74) *Attorney, Agent, or Firm* — Marcia L. Doubet

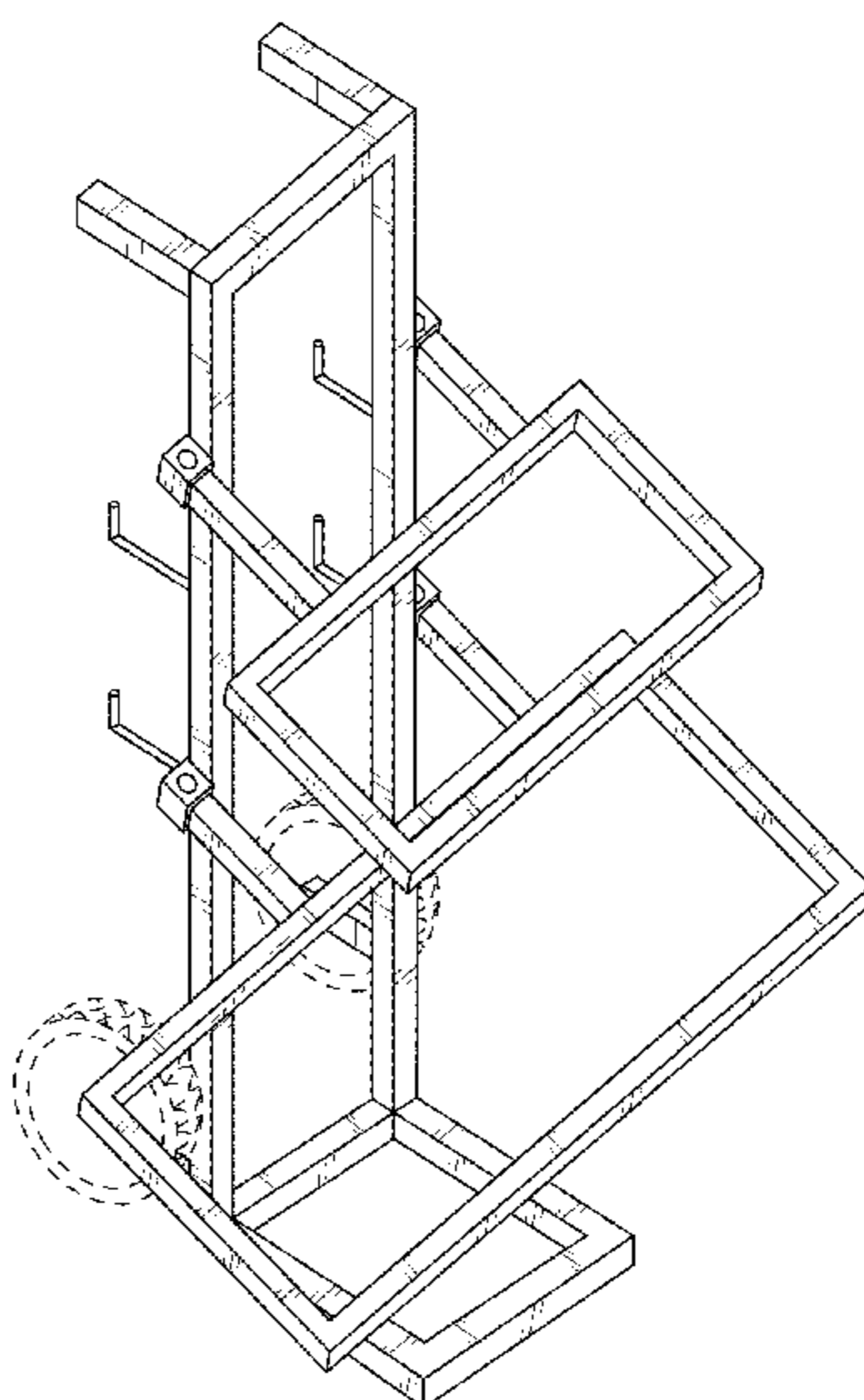
(57) **CLAIM**

The ornamental design for a cart, as shown and described.

DESCRIPTION

FIG. 1 is a front perspective view of a cart, showing my new design;
FIG. 2 is a front elevational view thereof;
FIG. 3 is a rear elevational view thereof;
FIG. 4 is a right-side elevational view thereof, the left-side elevational view being a mirror image thereof;
FIG. 5 is a top plan view thereof;
FIG. 6 is a front perspective view thereof, illustrated in an in-use configuration with containers held by two racks of the design;
FIG. 7 is an exploded top plan view of the two racks, a cart body omitted for clarity of design;
FIG. 8 is an exploded front elevational view of the two racks, the cart body omitted for clarity of design; and,
FIG. 9 is an exploded rear elevational view of the two racks, the cart body omitted for clarity of design.
The bottom plan view forms no part of the claimed design. The broken lines showing containers in FIG. 6 illustrate environmental matter that forms no part of the claimed design. The remaining broken lines depict portions of the cart that form no part of the claimed design.

1 Claim, 8 Drawing Sheets



(56)

References Cited

U.S. PATENT DOCUMENTS

D884,303 S * 5/2020 Petrovich D34/21
2012/0139200 A1 6/2012 Plesh et al.
2014/0246837 A1* 9/2014 Delattre B62B 1/12
280/47.19
2016/0200339 A1* 7/2016 Dhand B62B 1/266
280/651

OTHER PUBLICATIONS

“Sullivan Supply—Texas—Sullivan’s Feed Bucket Hanger”, Web-published by Sullivan Supply, Inc., printed from <http://www.sullivansupply.com/cart/tx/p-1488-sullivans-feed-bucket-hanger.aspx> on Apr. 9, 2018. 2 pages.

“Sullivan’s Bucket Caddy”, in Sullivan Supply catalog published by Sullivan Supply, Inc., vol. 28, 2018 (month and day unknown), p. 82.

Round Bucket Cart, Web-published by Weaver Leather, LLC, printed from https://www.thewinnersbrand.com/catalog/item-detail/69-5133/round-bucket-cart/pr_50786/cp_/shop-now/equipment/bucket-carts on Oct. 10, 2018. 2 pages.

“Square Bucket Cart”, Web-published by Weaver Leather, LLC, printed from https://www.thewinnersbrand.com/catalog/item-detail/69-5132/square-bucket-cart/pr_50785/cp_/shop-now/equipment/bucket-carts on Oct. 10, 2018. 2 pages.

Justin T. Doubet, U.S. Appl. No. 15/990,669, filed May 27, 2018, Office Action, dated Oct. 1, 2018, 12 pages.

Justin T. Doubet, U.S. Appl. No. 16/270,234, filed Feb. 7, 2019, Office Action, dated Apr. 4, 2019, 16 pages.

* cited by examiner

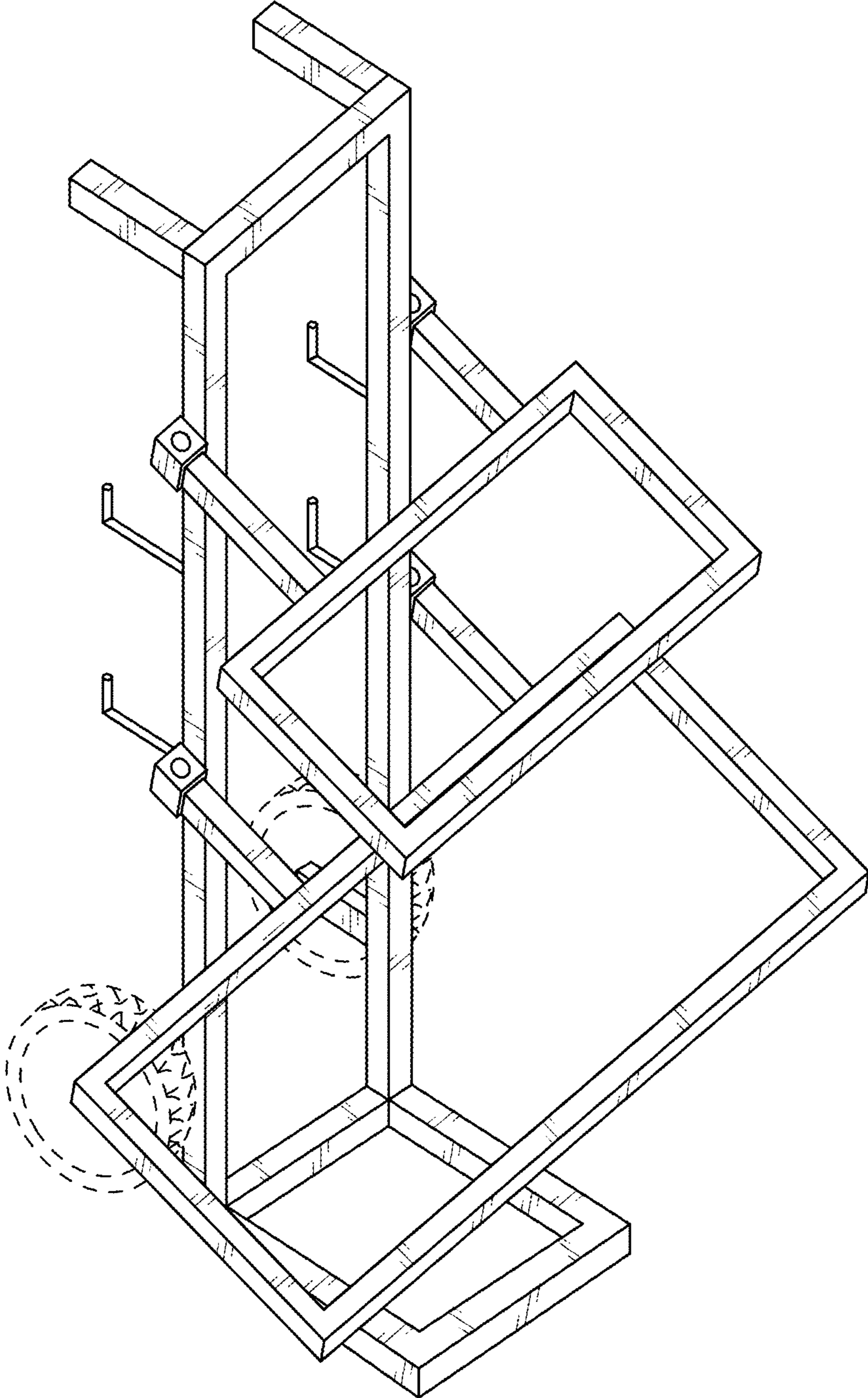


FIG. 1

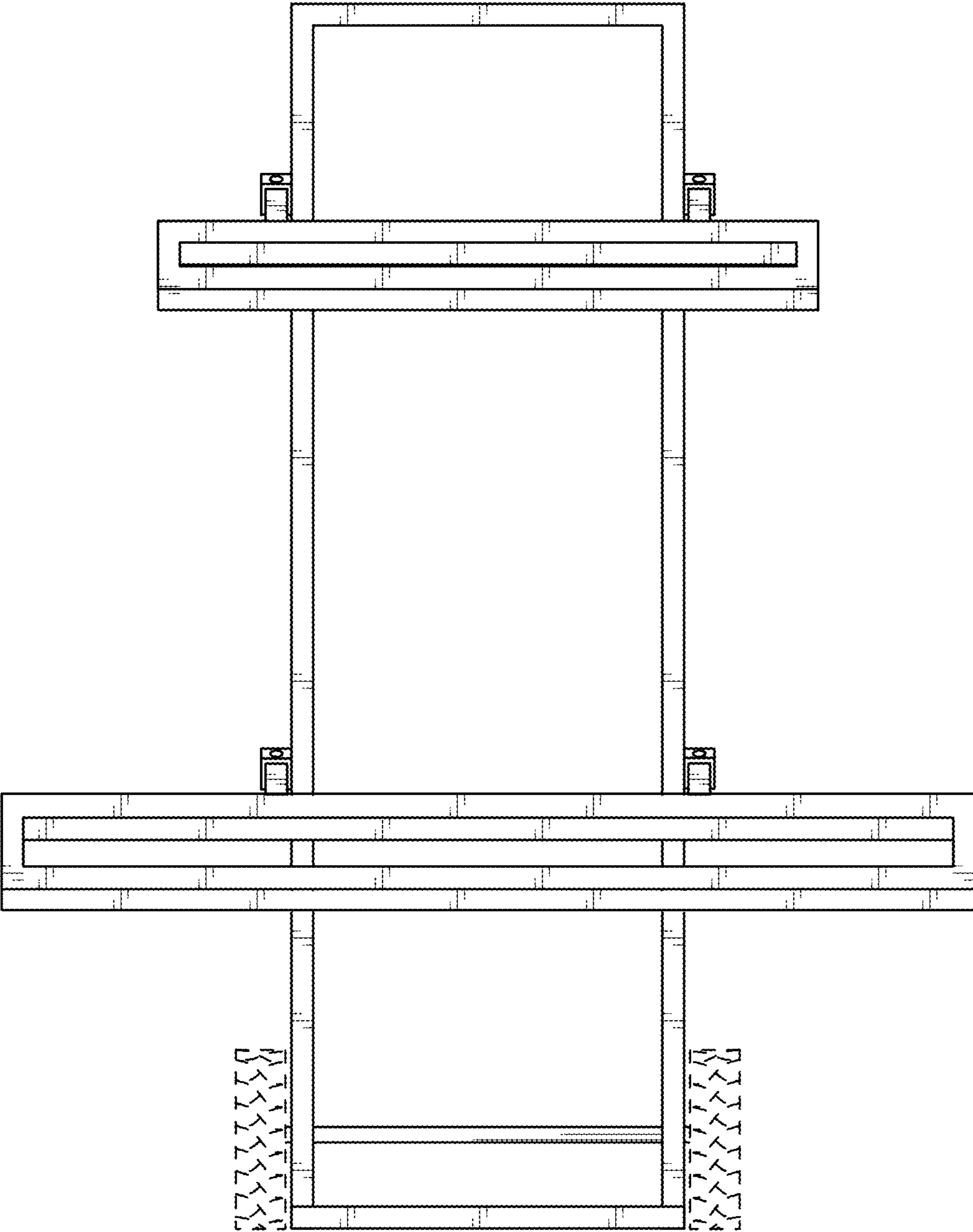


FIG. 2

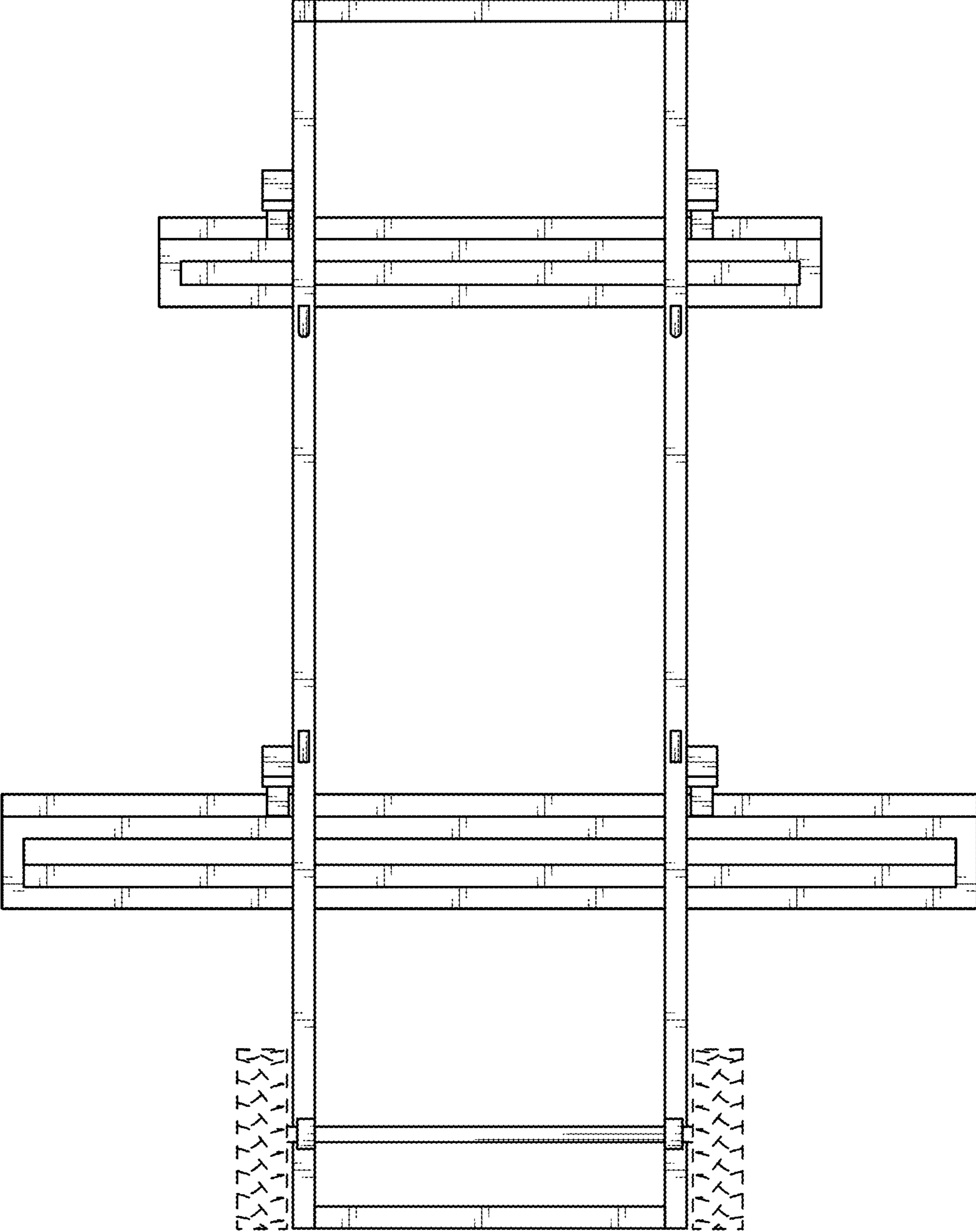


FIG. 3

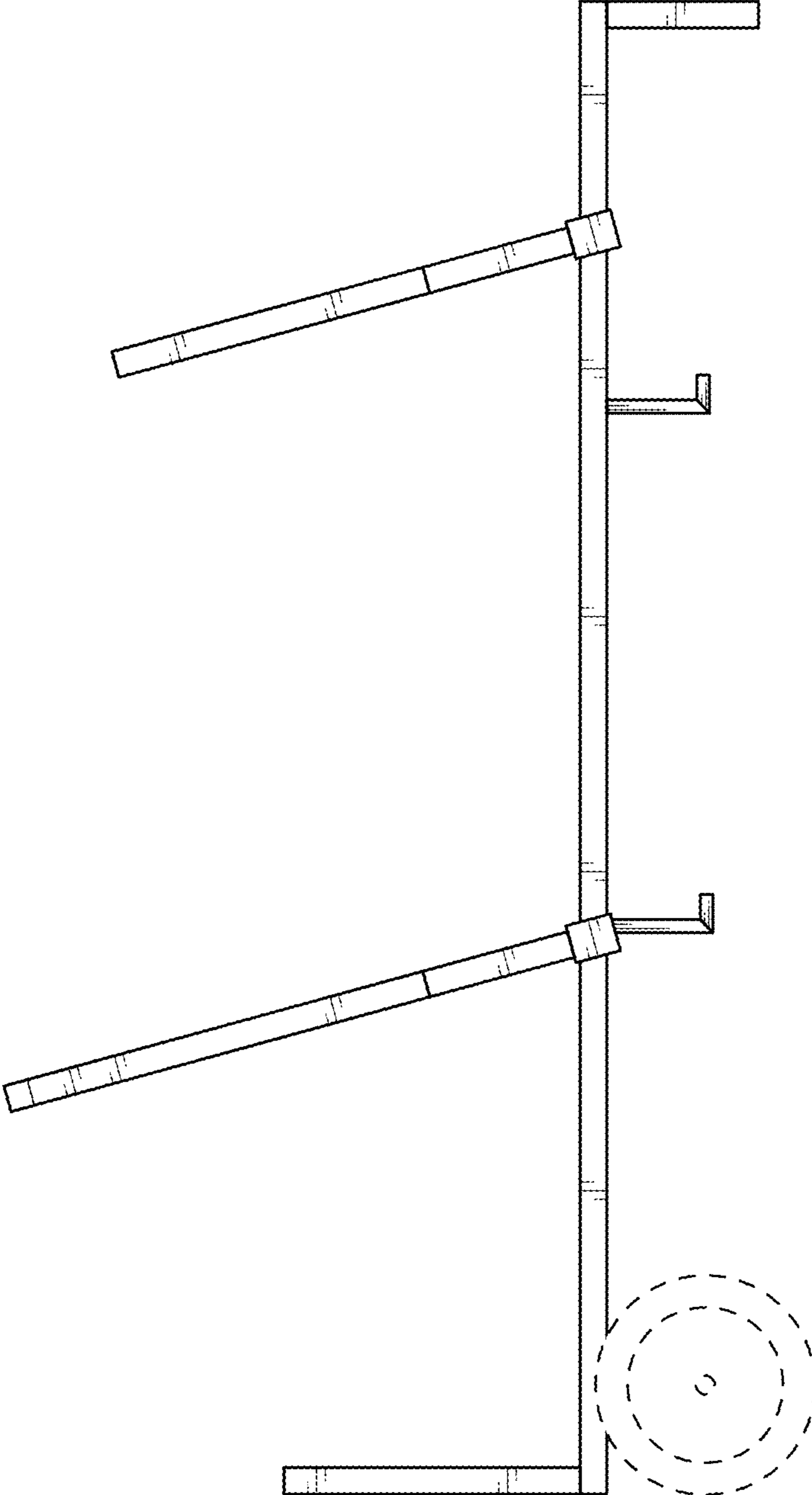


FIG. 4

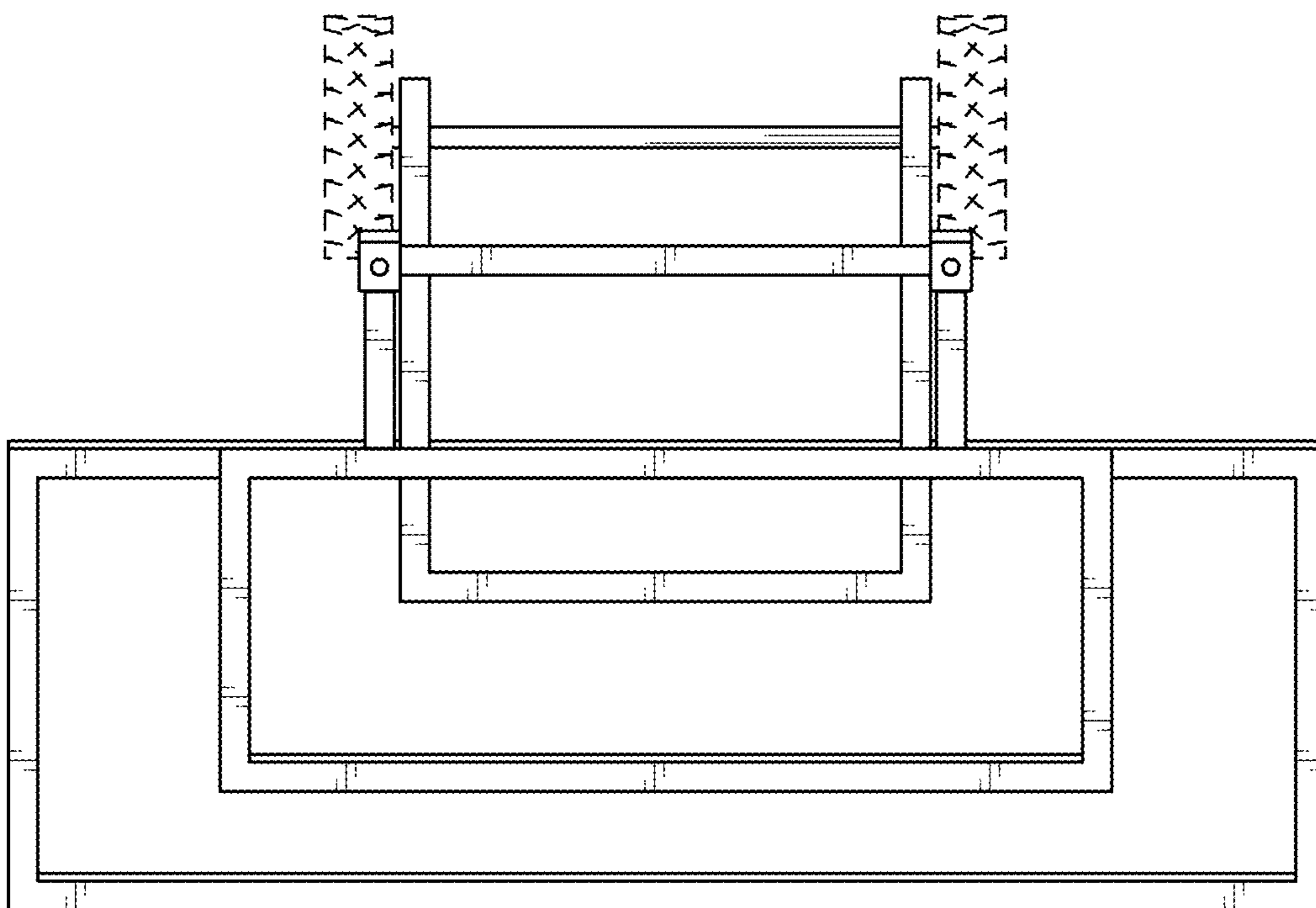


FIG. 5

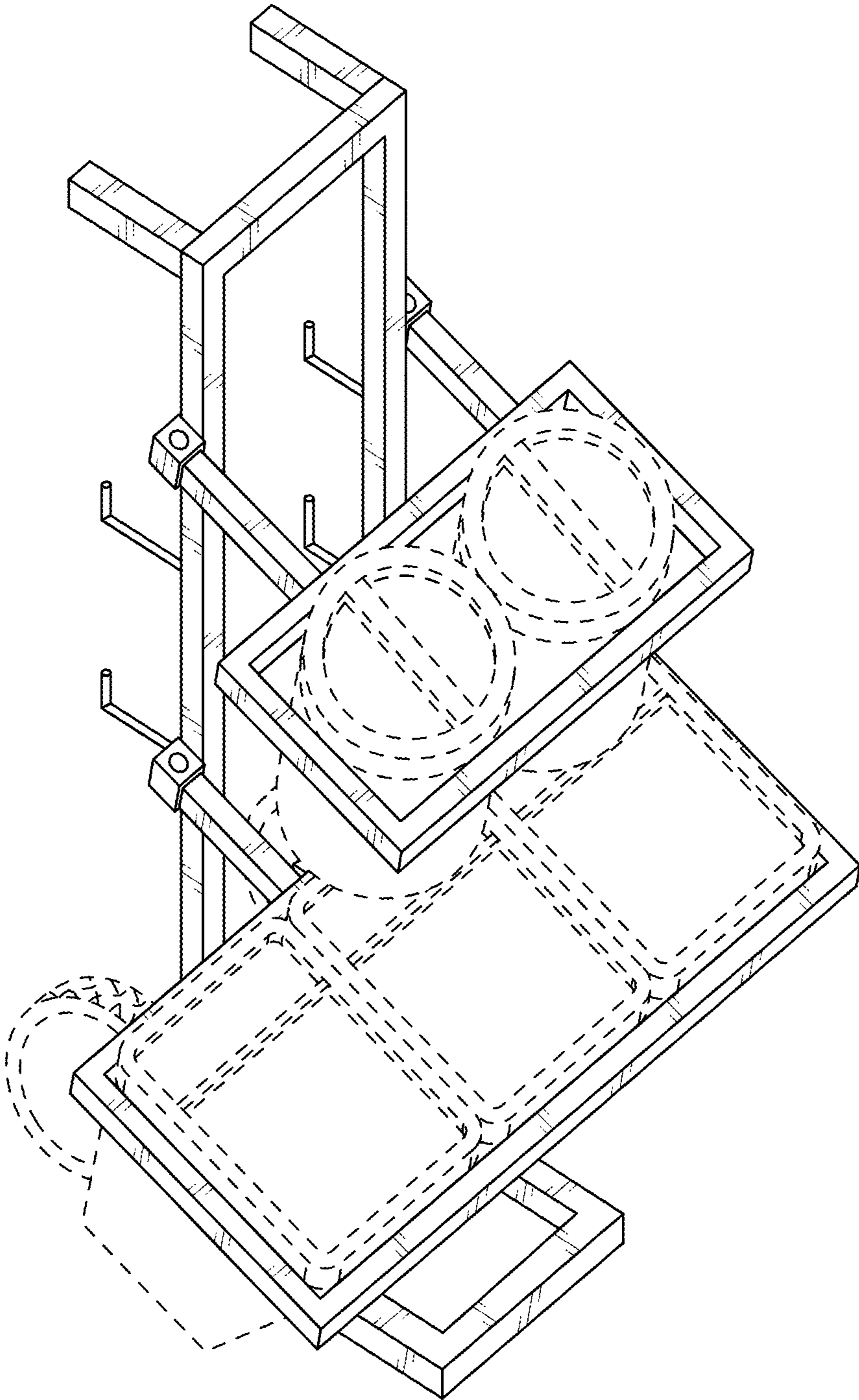


FIG. 6

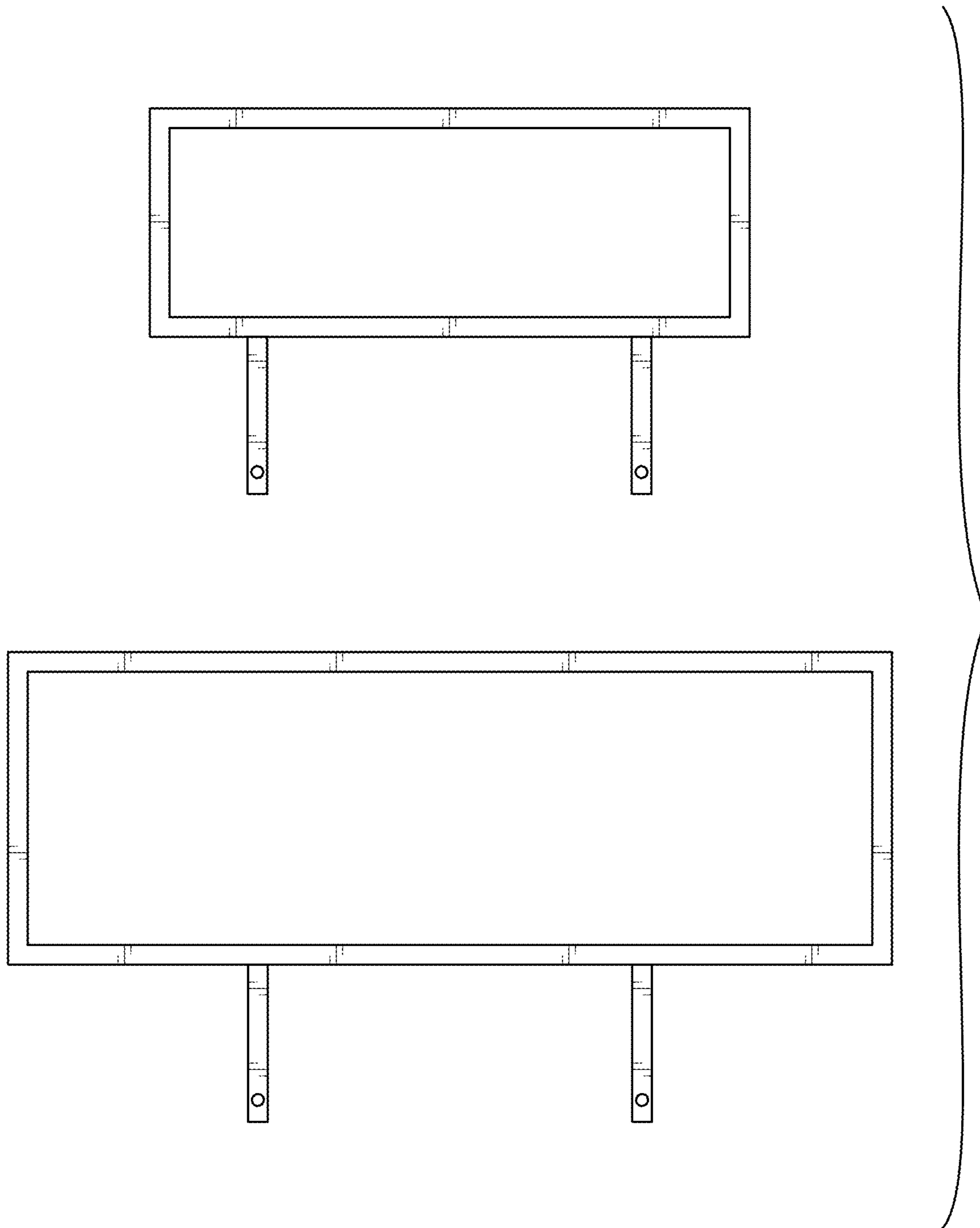


FIG. 7

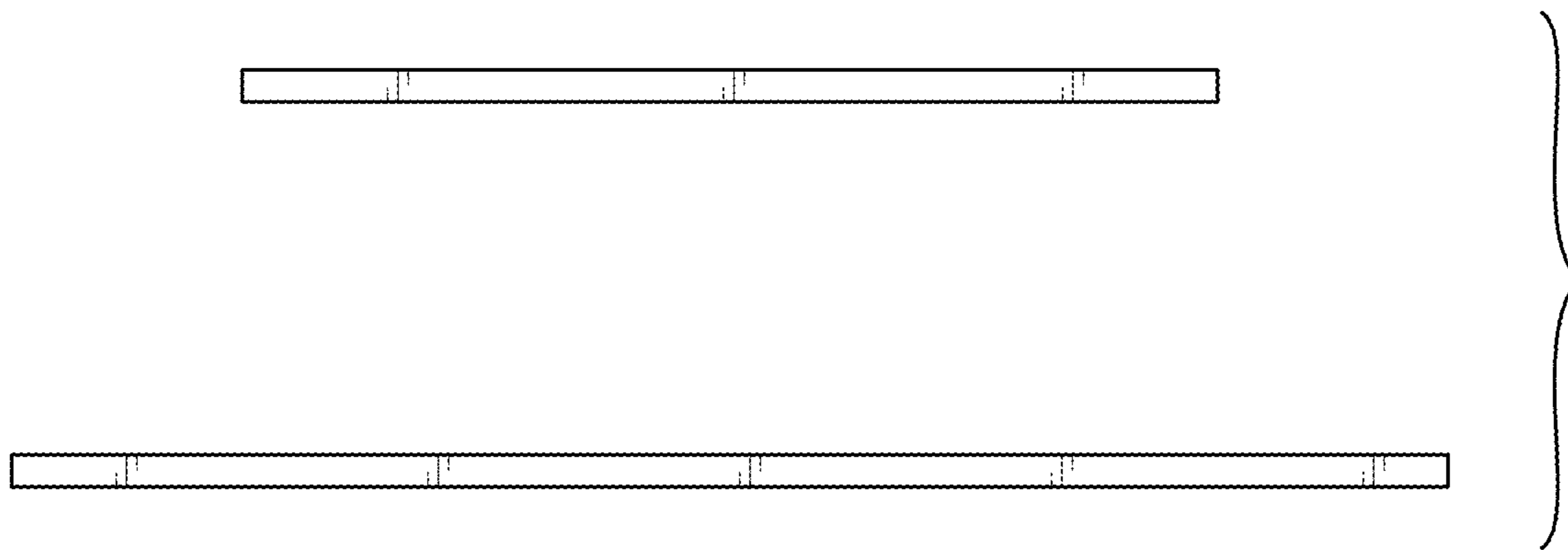


FIG. 8

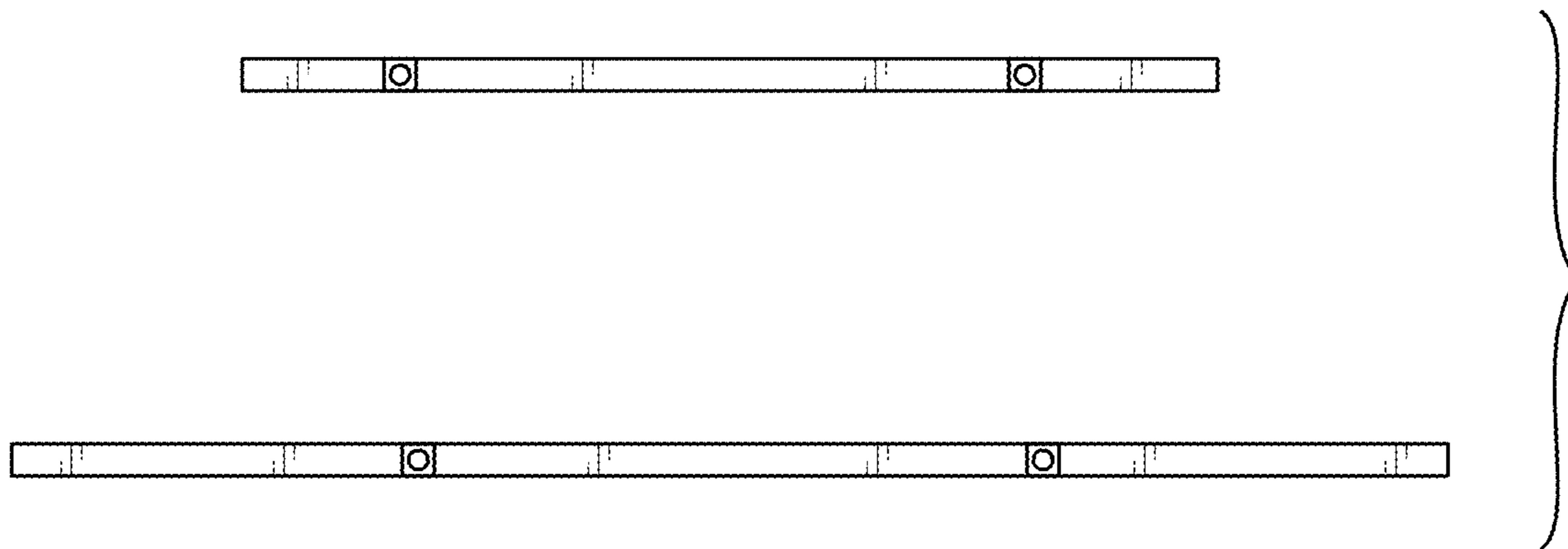


FIG. 9