



US00D932723S

(12) **United States Design Patent** (10) **Patent No.:** **US D932,723 S**  
**Ewin** (45) **Date of Patent:** **\*\* Oct. 5, 2021**

(54) **UV CURING TRASH CAN TOP**  
(71) Applicant: **Bret J. Ewin**, Round Hill, VA (US)  
(72) Inventor: **Bret J. Ewin**, Round Hill, VA (US)  
(\*\*) Term: **15 Years**  
(21) Appl. No.: **29/742,208**  
(22) Filed: **May 8, 2020**  
(51) **LOC (13) Cl.** ..... **09-09**  
(52) **U.S. Cl.**  
USPC ..... **D34/11**  
(58) **Field of Classification Search**  
USPC ..... D34/1, 7, 8, 9, 10, 11  
CPC .... B65F 2001/1669; B65F 7/00; B65F 1/163;  
B65F 1/16; B65F 2250/116; B65F  
2250/12; B65F 1/00; B65F 1/1638; B65F  
1/0033; B65F 1/122  
See application file for complete search history.

D872,960 S \* 1/2020 Chen ..... D34/7  
D877,441 S \* 3/2020 Zhou ..... D34/9  
D903,217 S \* 11/2020 Smeets ..... D34/7  
D905,367 S \* 12/2020 Smeets ..... D34/9  
D909,002 S \* 1/2021 Chang ..... D34/9  
D915,021 S \* 3/2021 Massar ..... D34/7  
D922,718 S \* 6/2021 Wang ..... D34/11  
2009/0230131 A1 \* 9/2009 McDuffie ..... B65F 1/163  
220/495.06  
2011/0049149 A1 \* 3/2011 Shih ..... B65F 1/1607  
220/260  
2011/0220648 A1 \* 9/2011 Yang ..... B65F 1/1638  
220/211  
2013/0277365 A1 \* 10/2013 Kaufman ..... B65F 1/1623  
220/8  
2013/0298506 A1 \* 11/2013 Lucas ..... B65B 1/02  
53/452

(Continued)

*Primary Examiner* — Cynthia Ramirez  
(74) *Attorney, Agent, or Firm* — James F. Cottone

(57) **CLAIM**

The ornamental design for a UV curing trash can top, as shown and described.

(56) **References Cited**

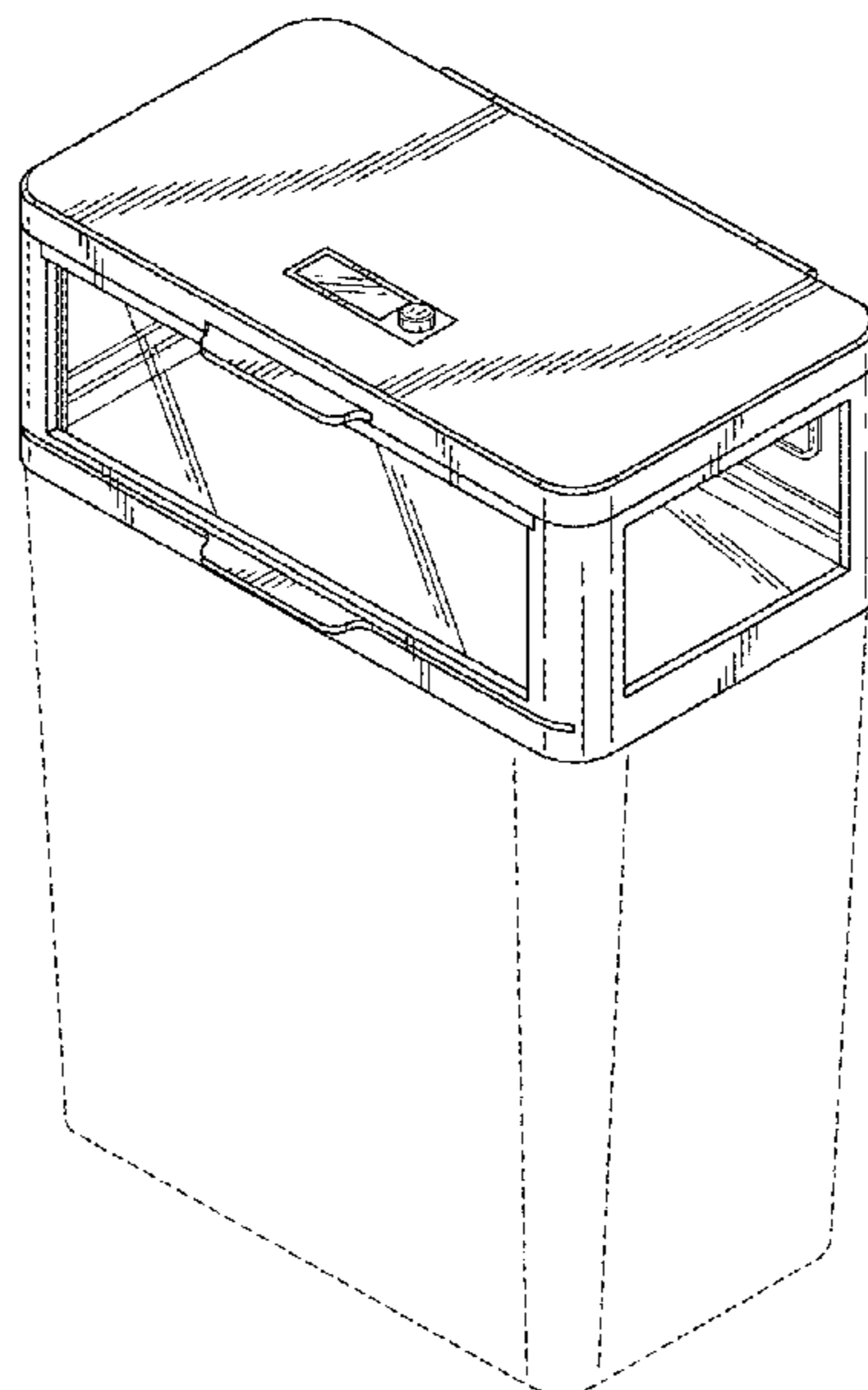
U.S. PATENT DOCUMENTS

D250,744 S \* 1/1979 Morin ..... D34/5  
D355,740 S \* 2/1995 Kirchner ..... D34/1  
D362,932 S \* 10/1995 Brightbill ..... D32/37  
D488,902 S \* 4/2004 Yang ..... D34/8  
D580,613 S \* 11/2008 Yang ..... D34/7  
D675,802 S \* 2/2013 Yang ..... D34/7  
D725,860 S \* 3/2015 Spivey ..... D34/7  
D762,037 S \* 7/2016 Chen ..... D34/7  
D790,145 S \* 6/2017 Chen ..... D34/7  
D792,673 S \* 7/2017 Lloyd ..... D34/7  
D796,766 S \* 9/2017 Chen ..... D34/7  
D809,729 S \* 2/2018 Chen ..... D34/7  
D836,278 S \* 12/2018 Berberet ..... B08B 9/08  
D34/7  
D855,919 S \* 8/2019 Yang ..... D34/7  
D860,570 S \* 9/2019 Chen ..... D34/7  
D871,012 S \* 12/2019 Chen ..... D34/7  
D872,959 S \* 1/2020 Chen ..... D34/7

**DESCRIPTION**

FIG. 1 is top right front perspective view of a UV curing trash can top showing my new design; FIG. 2 is a front elevational view thereof; FIG. 3 is a rear elevational view thereof; FIG. 4 is a top plan view thereof; FIG. 5 is a bottom plan view thereof; FIG. 6 is a right side elevational view thereof; FIG. 7 is a left side elevational view thereof; and, FIG. 8 is a top right front perspective view, in deployed form, thereof.  
In the drawings, the broken lines of the UV curing trash can top depict portions of the design that form no part of the claim.

**1 Claim, 4 Drawing Sheets**



(56)

**References Cited**

U.S. PATENT DOCUMENTS

2015/0251849 A1\* 9/2015 Yang ..... B65F 1/062  
220/661  
2016/0052711 A1\* 2/2016 Fitzgerald ..... B65F 1/06  
220/495.08  
2018/0079592 A1\* 3/2018 Wang ..... B65F 1/1646  
2018/0305120 A1\* 10/2018 Yang ..... B65F 1/163  
2019/0329977 A1\* 10/2019 Sofy ..... B65F 1/06  
2020/0207544 A1\* 7/2020 Pestl ..... E05F 15/73  
2020/0391939 A1\* 12/2020 Wang ..... A61L 2/24  
2020/0391940 A1\* 12/2020 Wang ..... B65F 1/02  
2021/0061559 A1\* 3/2021 Fitzgerald ..... B65F 1/1623

\* cited by examiner

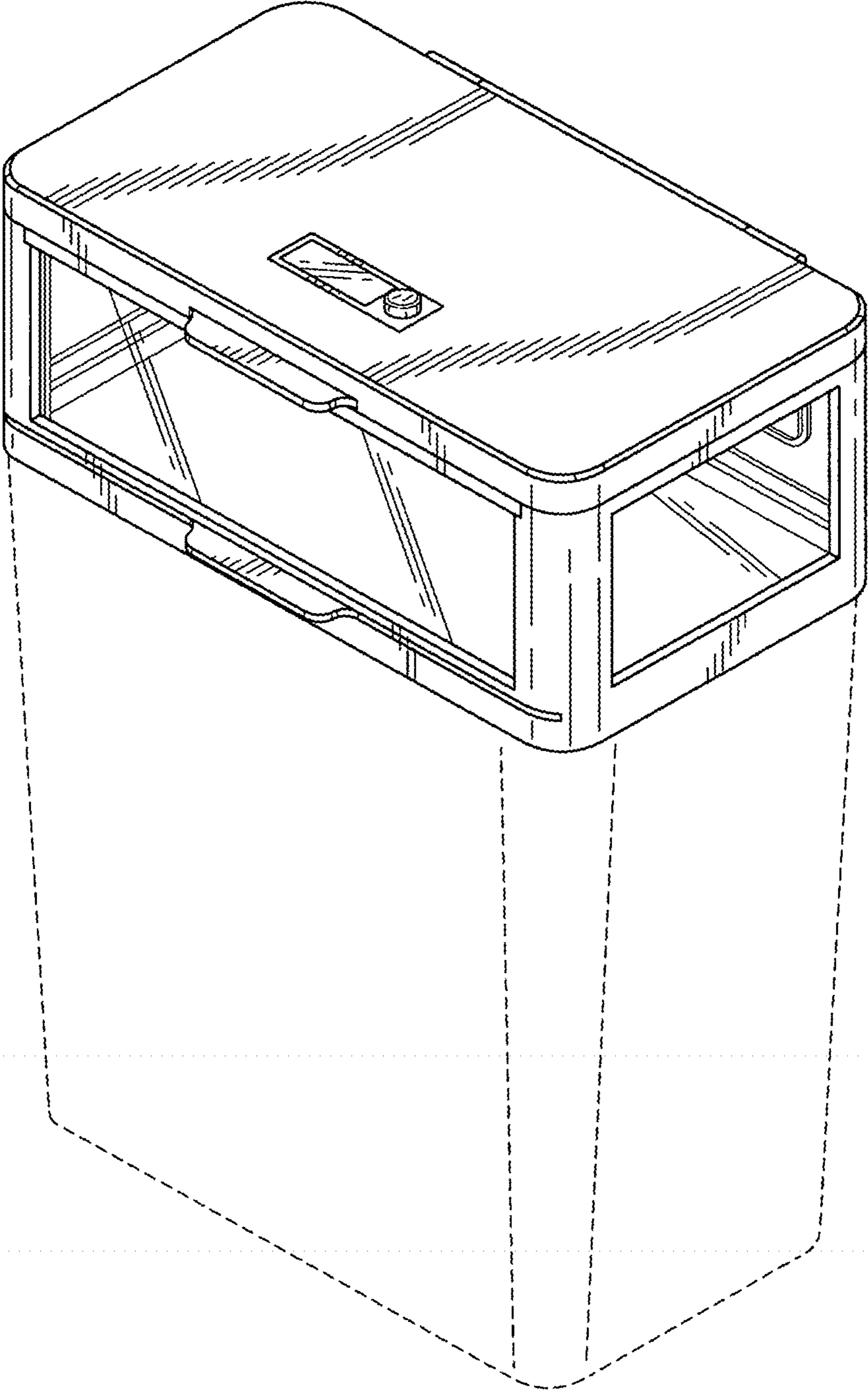


FIG. 1

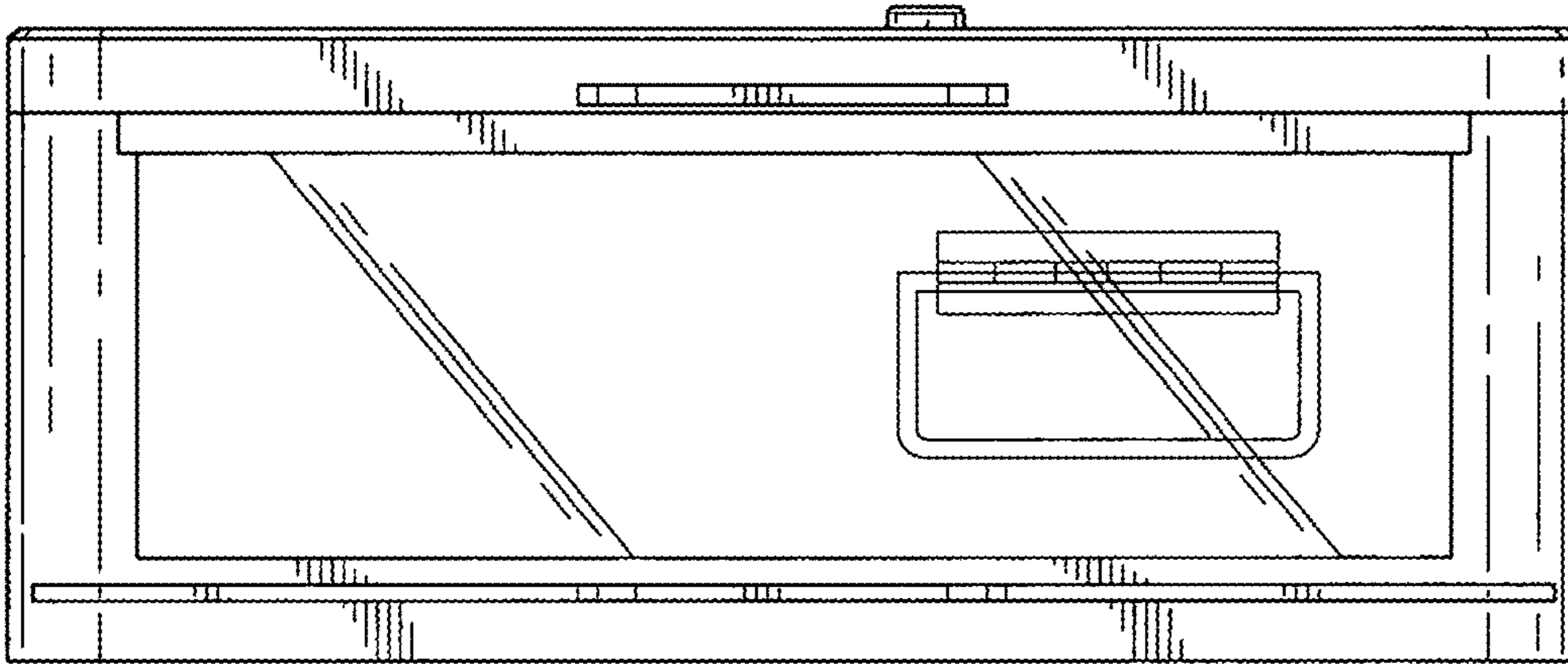


FIG. 2

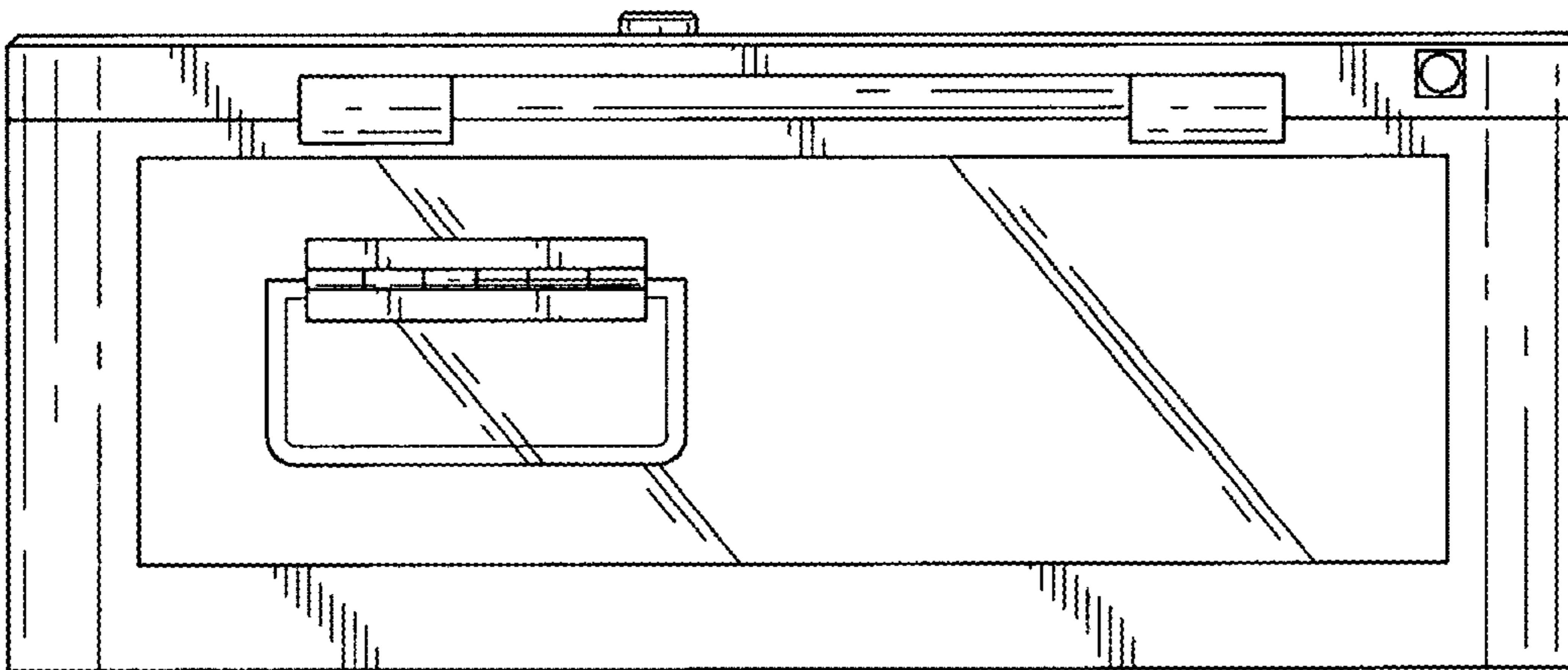


FIG. 3

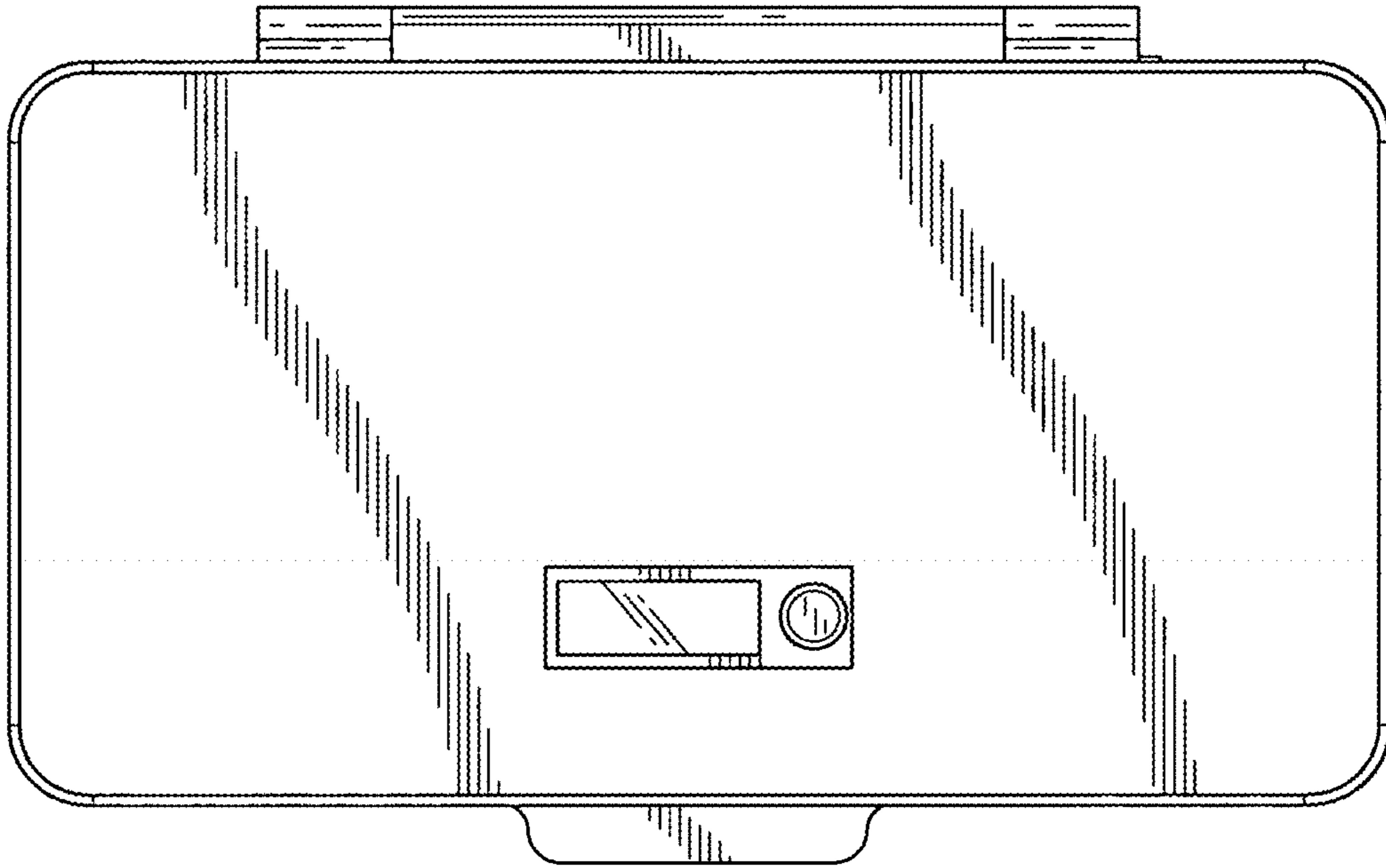


FIG. 4

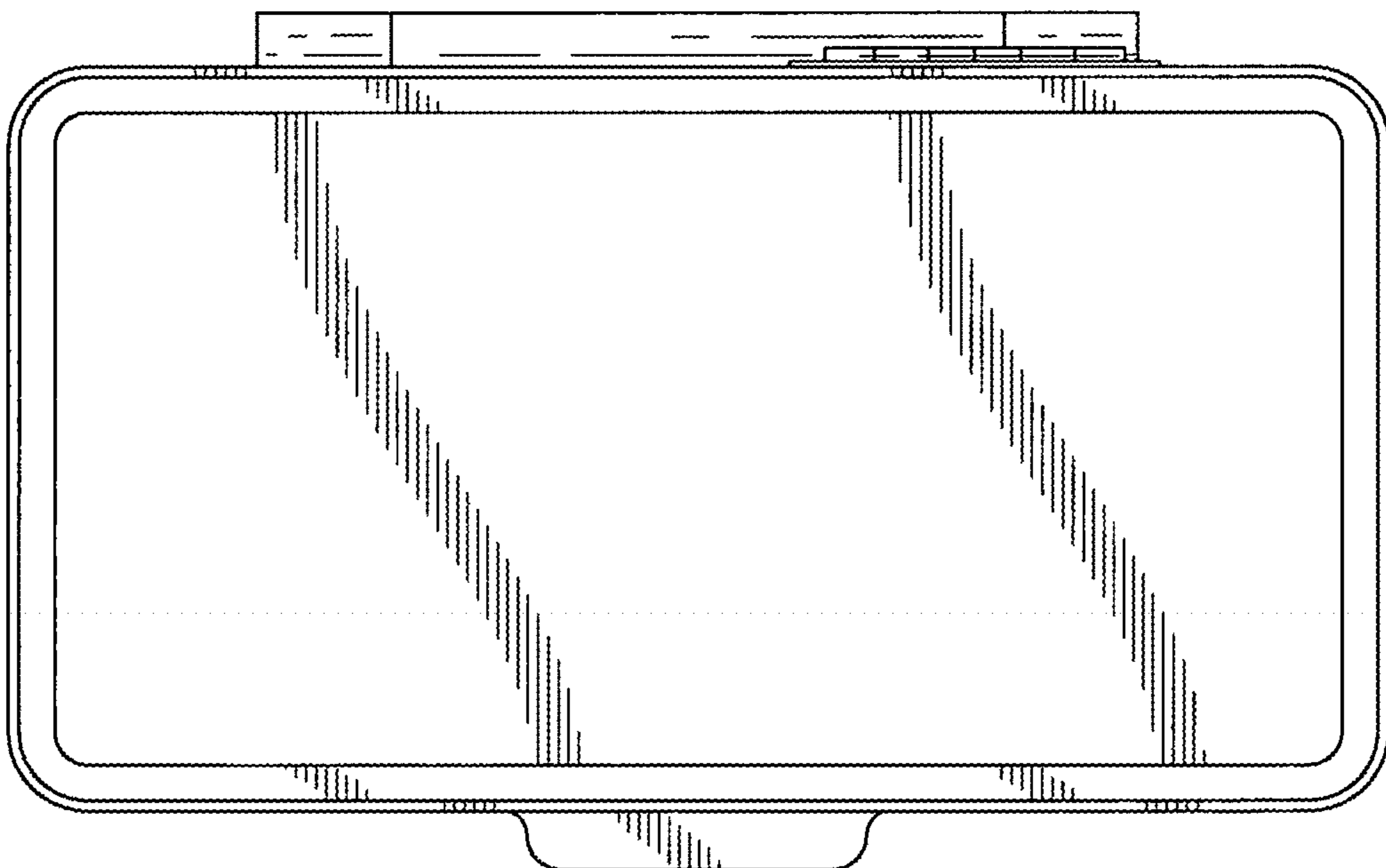


FIG. 5

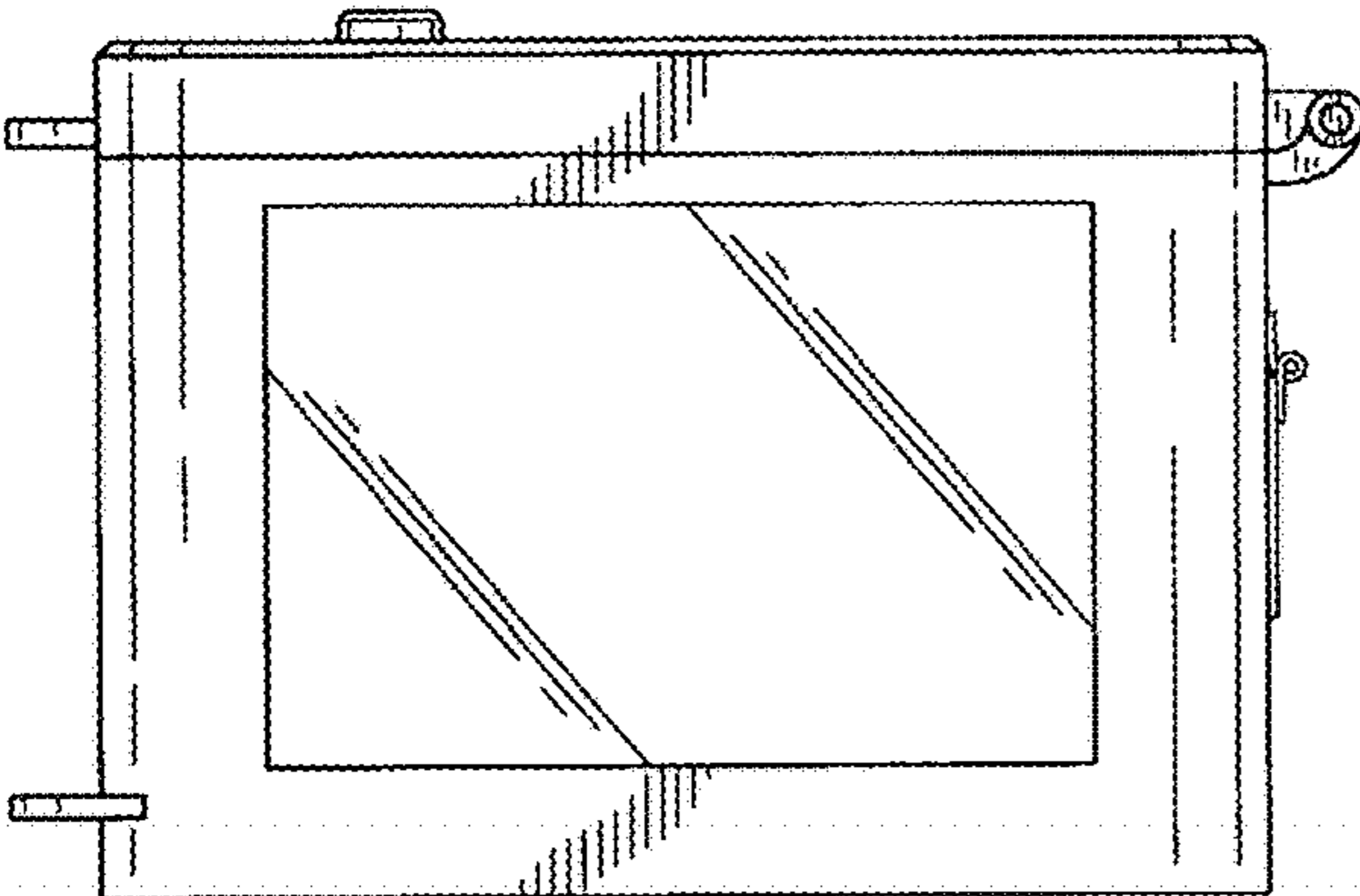


FIG. 6

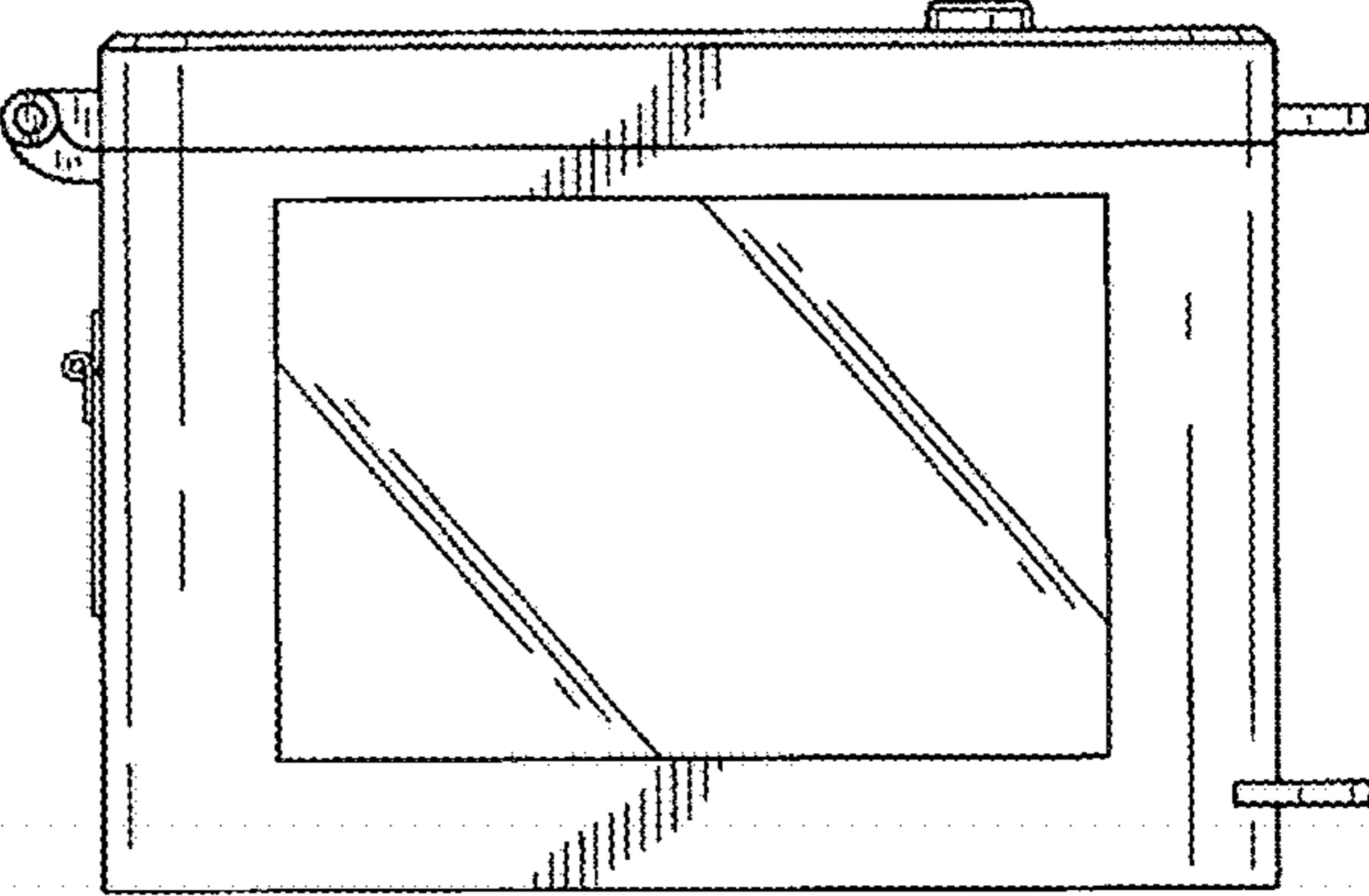


FIG. 7

FIG. 8

