



US00D932722S

(12) **United States Design Patent** (10) **Patent No.:** **US D932,722 S**
Williams et al. (45) **Date of Patent:** **** Oct. 5, 2021**

(54) **COMPACT IRONING STATION**
(71) Applicants: **Barry C. Williams**, Mount Laurel, NJ
(US); **Timothy E. Daniels**,
Moorestown, NJ (US)
(72) Inventors: **Barry C. Williams**, Mount Laurel, NJ
(US); **Timothy E. Daniels**,
Moorestown, NJ (US)

(**) Term: **15 Years**

(21) Appl. No.: **29/683,581**

(22) Filed: **Mar. 14, 2019**

(51) **LOC (13) Cl.** **07-05**

(52) **U.S. Cl.**
USPC **D32/66**

(58) **Field of Classification Search**
USPC D32/1, 9, 66-73
CPC F22B 1/28; A45D 1/02; H01M 4/36; D06F
81/02; D06F 81/00; D06F 81/06
See application file for complete search history.

(56) **References Cited**

U.S. PATENT DOCUMENTS

D242,946 S * 1/1977 Harjapaa D32/9
4,543,739 A * 10/1985 Zerhoch D06F 81/08
248/676
D319,309 S * 8/1991 Taylor D24/217
D326,487 S * 5/1992 Monneret D21/526
D348,338 S * 6/1994 Stutzer D32/66
5,967,342 A * 10/1999 Steffine D06F 95/002
211/85.15
D521,702 S * 5/2006 No D32/25
D574,115 S * 7/2008 Jeon D32/9
D683,503 S * 5/2013 Helm D32/1
8,925,357 B2 * 1/2015 Moon D06F 58/20
68/208
D747,568 S * 1/2016 Hoffman D32/1
9,771,679 B2 * 9/2017 Wadhwa D06F 81/00
D801,604 S * 10/2017 Lee D06F 58/10
D32/9
D805,702 S * 12/2017 Lee D32/9

D850,030 S * 5/2019 Tian D32/1
2002/0195911 A1 * 12/2002 Allen D06F 81/06
312/241
2007/0151130 A1 * 7/2007 Sunshine A47B 46/00
38/104
2007/0151301 A1 * 7/2007 Kendall D06F 39/00
68/3 R
2009/0313863 A1 * 12/2009 Achterberg D06F 81/003
38/104
2010/0162596 A1 * 7/2010 Ma D06F 81/00
38/137

(Continued)

OTHER PUBLICATIONS

Wayfair website Stowaway Ironing Bd 2021, site visited May 20,
2021, www.wayfair.com/household-essentials-stowaway-inwall-
builtin-ironing-board...*

Primary Examiner — John R Yeh

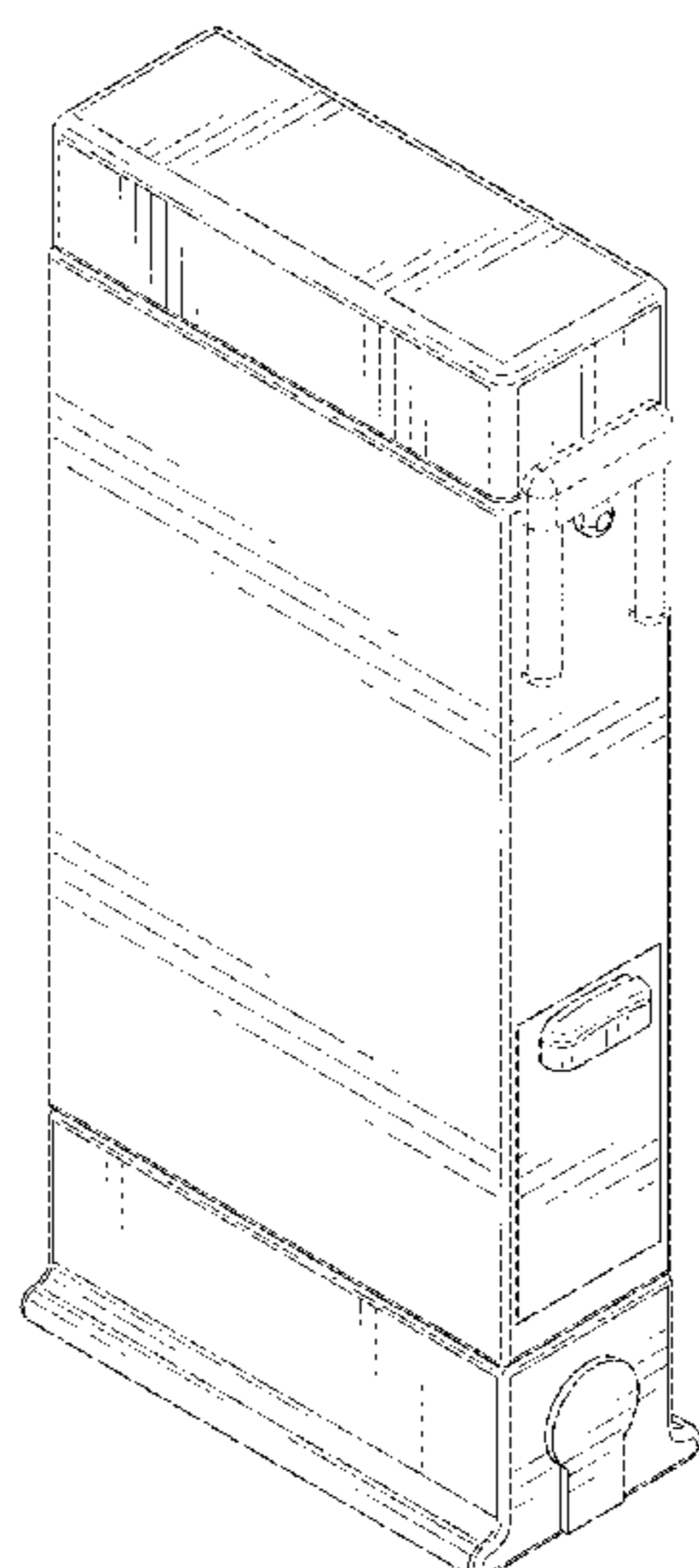
(57) **CLAIM**

The ornamental design for a compact ironing station, as
shown and described.

DESCRIPTION

FIG. 1 is a front-top perspective view of a compact ironing
station showing my new design;
FIG. 2 is a front-bottom perspective view thereof;
FIG. 3 is a rear-top perspective view thereof;
FIG. 4 is a rear-bottom perspective view thereof;
FIG. 5 is a front elevational view thereof with the rear
elevational view being mirrored thereto;
FIG. 6 is a left elevational view thereof;
FIG. 7 is a right elevational view thereof;
FIG. 8 is a top plan view thereof; and,
FIG. 9 is a bottom plan view thereof.
The broken lines depict portions of the compact ironing
station that form no part of the claimed design.

1 Claim, 9 Drawing Sheets



(56)

References Cited

U.S. PATENT DOCUMENTS

2017/0204557 A1* 7/2017 Bunch A47B 88/477

* cited by examiner

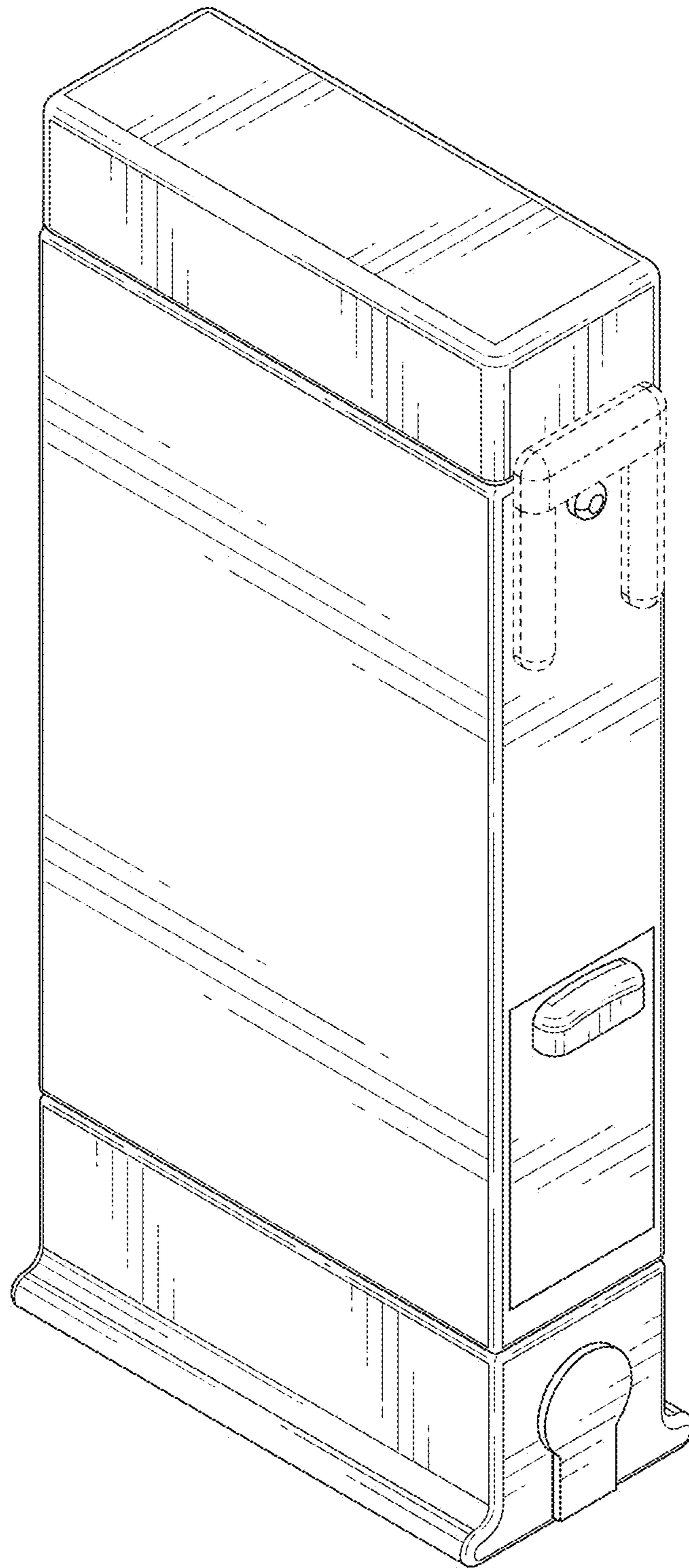


FIG. 1

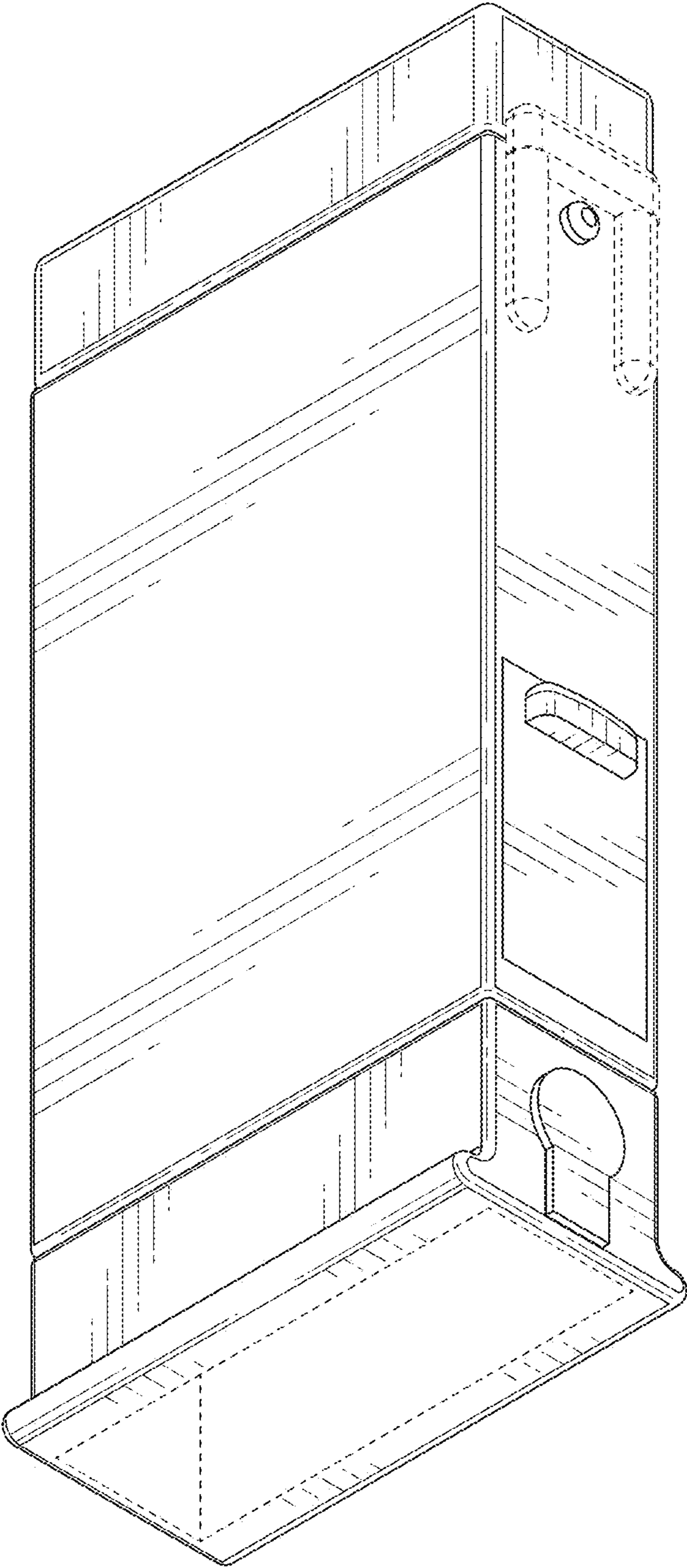


FIG. 2

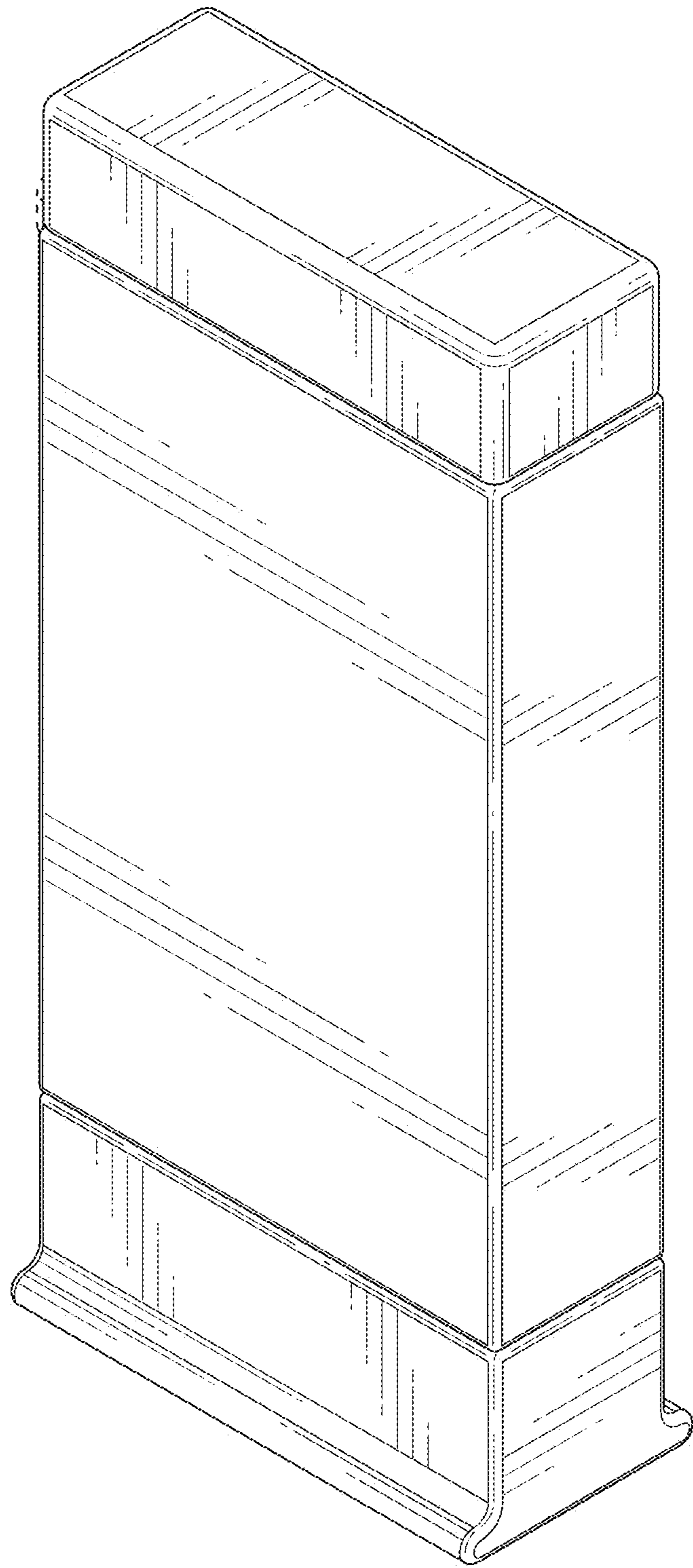


FIG. 3

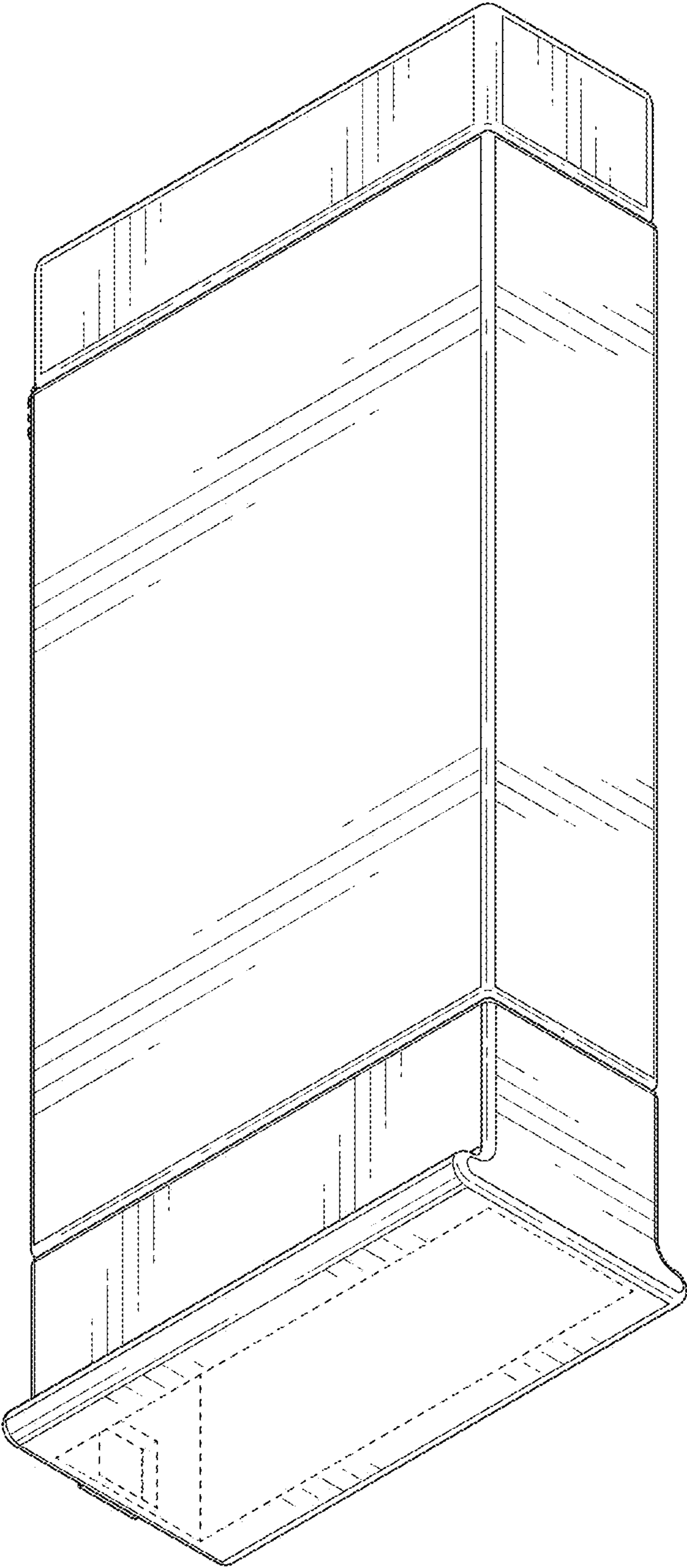


FIG. 4

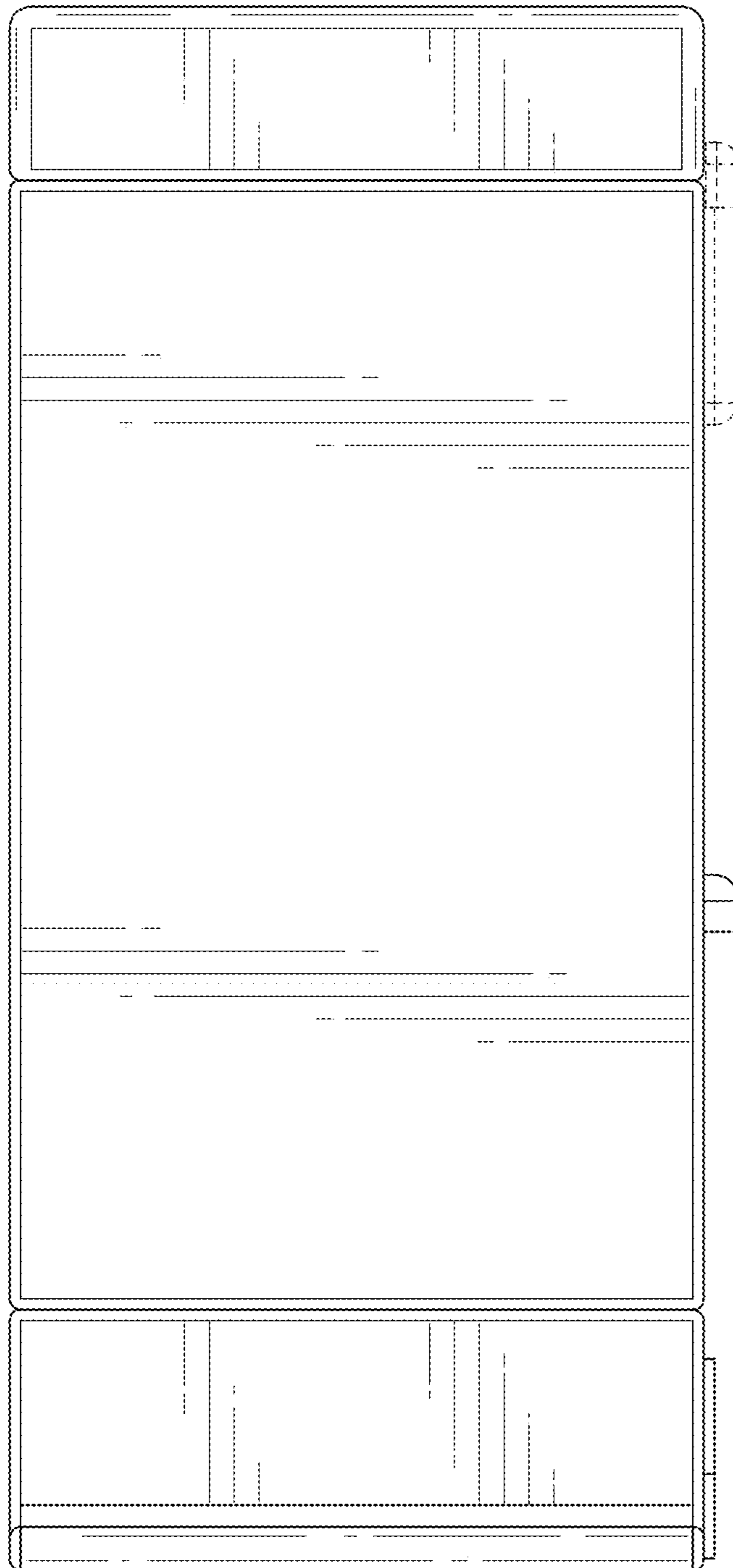


FIG. 5

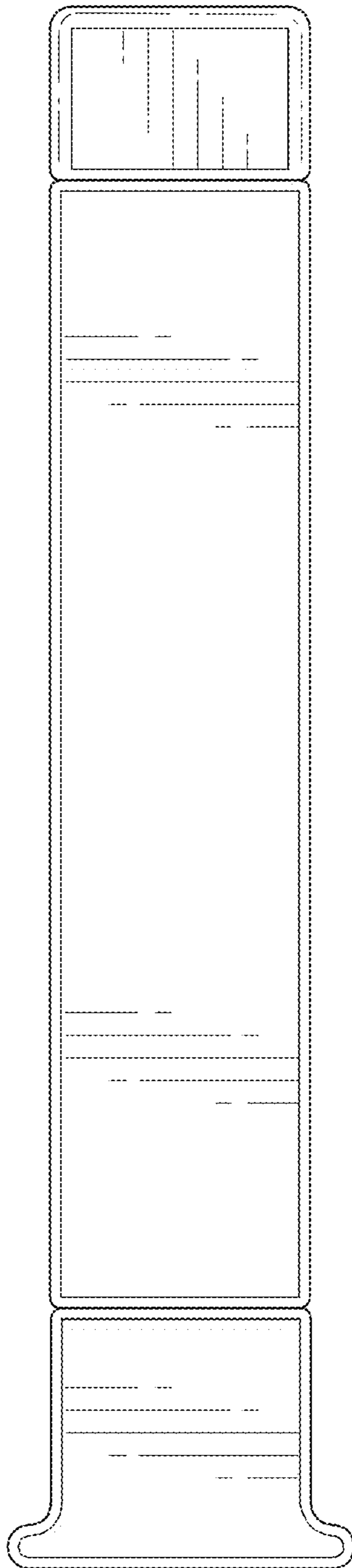


FIG. 6

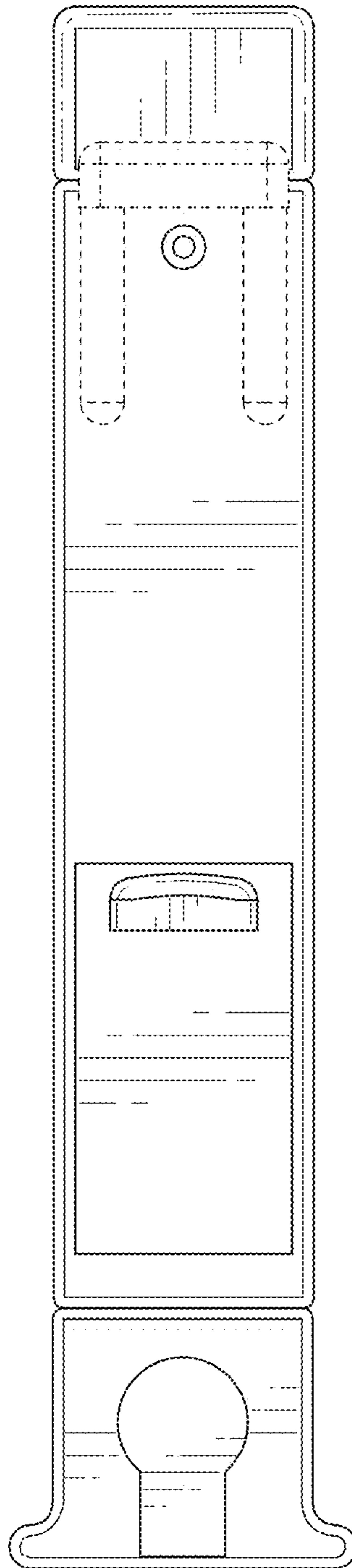


FIG. 7

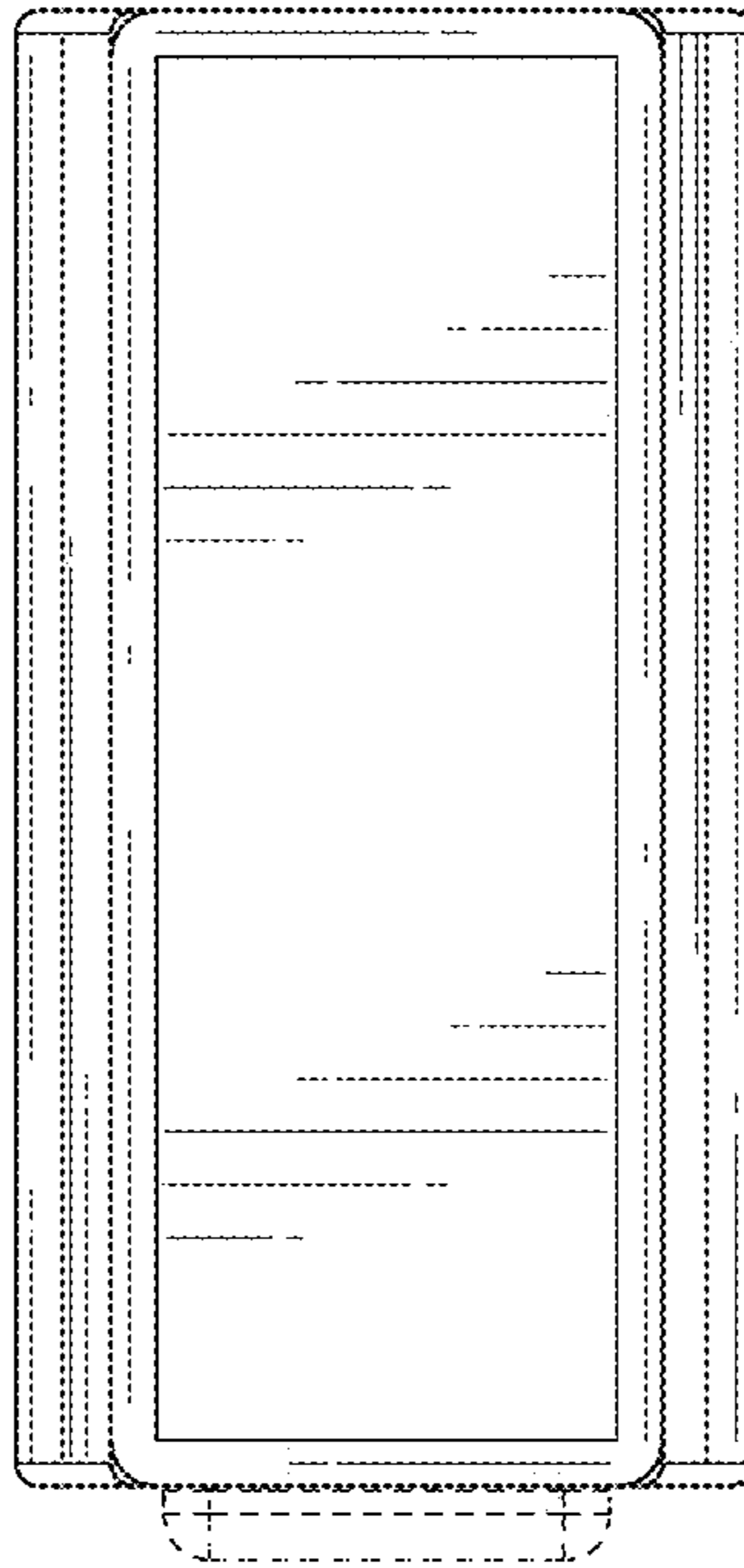


FIG. 8

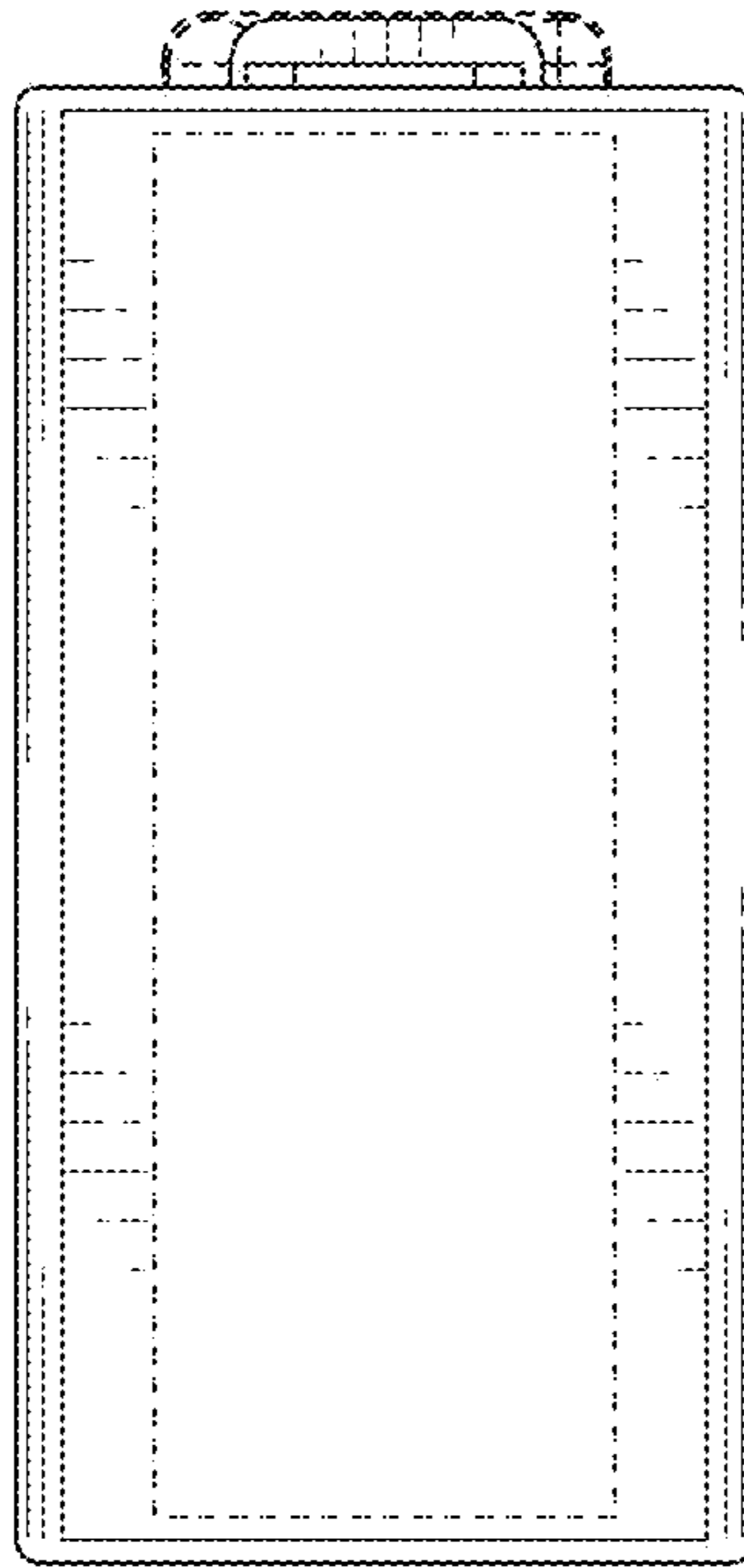


FIG. 9