



US00D932721S

(12) **United States Design Patent**
Luburic et al.

(10) **Patent No.:** **US D932,721 S**
(45) **Date of Patent:** **** Oct. 5, 2021**

- (54) **CONTAINER RING**
- (71) Applicant: **BWAY Corporation**, Atlanta, GA (US)
- (72) Inventors: **Frano Luburic**, Costa Mesa, CA (US);
John Richard Homan, Naperville, IL (US)
- (73) Assignee: **BWAY CORPORATION**, Atlanta, GA (US)
- (**) Term: **15 Years**
- (21) Appl. No.: **29/725,734**
- (22) Filed: **Feb. 26, 2020**
- (51) **LOC (13) Cl.** **07-05**
- (52) **U.S. Cl.**
USPC **D32/54**
- (58) **Field of Classification Search**
USPC D7/392.1; D9/416, 434, 435, 439;
D15/143; D23/269, 386; D32/53, 54;
D34/1, 6, 10, 29
CPC B44D 3/127; B44D 3/006; B65F 1/065;
B65F 1/06; B65D 47/063; B65D 25/20;
B65D 43/0218; B65D 45/32; B65D
17/08; B65D 17/4012; B65H 5/28; B21D
51/44; B21D 51/38; B65B 67/12; F16G
5/08
See application file for complete search history.

- 4,893,725 A * 1/1990 Ball B65D 17/4012
220/269
- 4,969,570 A * 11/1990 Harvey, Sr. B65D 25/20
220/733
- 4,998,643 A * 3/1991 Pradel B65D 45/32
220/320
- 5,149,238 A * 9/1992 McEldowney B21D 51/44
413/8
- D338,621 S * 8/1993 Balson D9/434
- D457,283 S * 5/2002 Wayt D34/1
- 6,386,013 B1 * 5/2002 Werth B21D 51/38
72/348
- 6,460,723 B2 * 10/2002 Nguyen B21D 51/38
220/619
- D485,404 S * 1/2004 Del Prato D34/6
- 6,761,280 B2 * 7/2004 Zonker B65D 17/08
220/269

(Continued)

OTHER PUBLICATIONS

Container Rings <https://www.topwillgroup.com/stainless-steel-container-rings-products/> (Year: 2021).*

Primary Examiner — Michelle E. Wilson
Assistant Examiner — Richard E Yenchesky
(74) *Attorney, Agent, or Firm* — Morris, Manning & Martin, LLP; Bryan D. Stewart; Daniel E. Sineway

(57) **CLAIM**

The ornamental design for the container ring, as shown and described.

DESCRIPTION

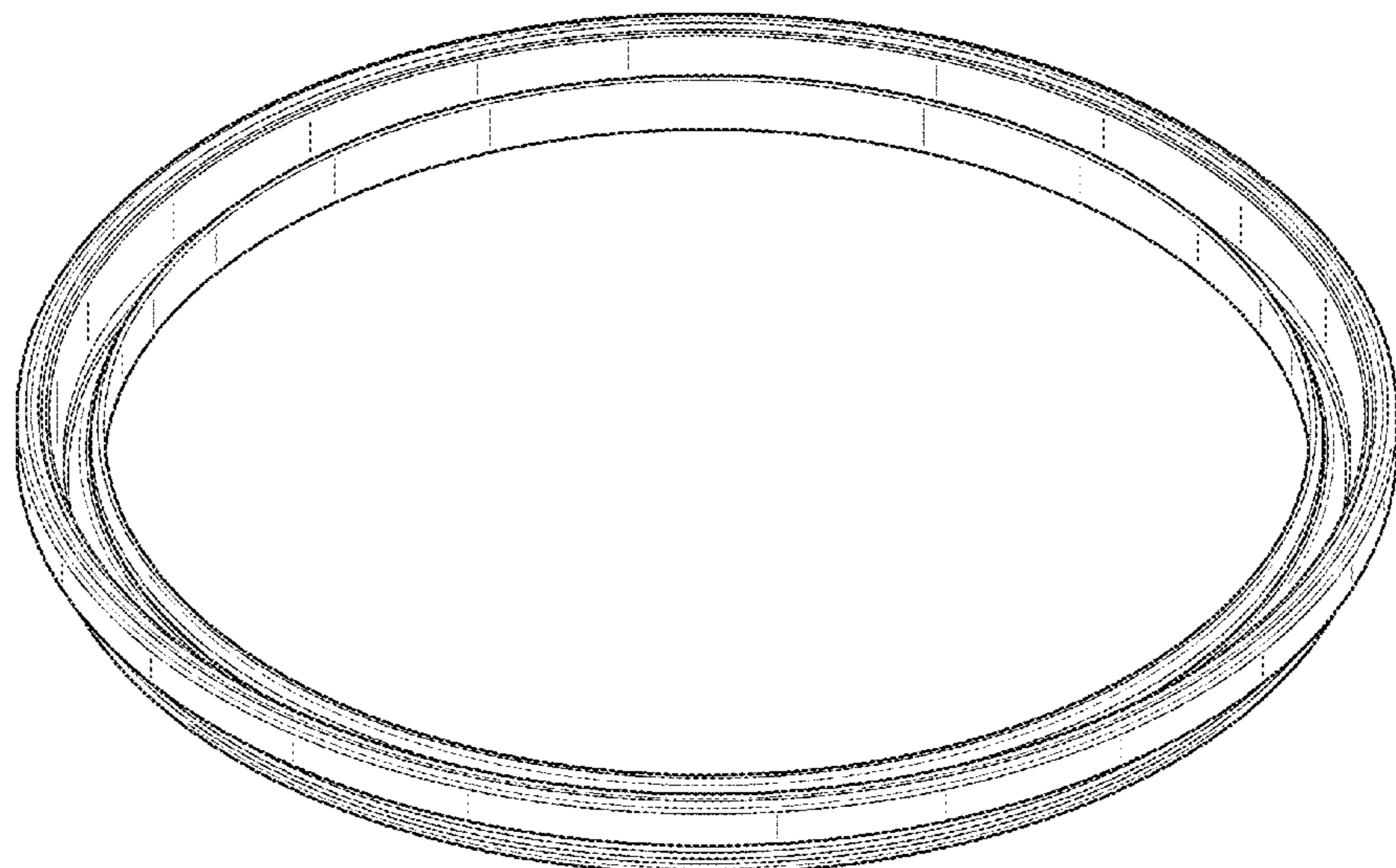
FIG. 1 is a perspective view of an exemplary container ring; FIG. 2 is a top view of an exemplary container ring; FIG. 3 is a bottom view of an exemplary container ring; FIG. 4 is a side view of an exemplary container ring; and, FIG. 5 is a cross-sectional view of an exemplary container ring.

1 Claim, 5 Drawing Sheets

(56) **References Cited**

U.S. PATENT DOCUMENTS

- 1,550,983 A * 8/1925 Pratt F16G 5/08
474/252
- 2,611,508 A * 9/1952 Brown B65D 25/20
220/733
- D207,356 S * 4/1967 McCormack D9/439
- 3,362,565 A * 1/1968 McCormick B65D 43/0218
220/203.09
- 4,867,401 A * 9/1989 Graff B65B 67/12
248/99



(56)

References Cited

U.S. PATENT DOCUMENTS

D534,253 S * 12/2006 Sandman D23/269
 D537,598 S * 2/2007 Moore D34/10
 D558,419 S * 12/2007 Zychlinski D32/53
 D633,991 S * 3/2011 Nakagawa D23/269
 D638,523 S * 5/2011 Yoshida D23/269
 D655,401 S * 3/2012 Muramatsu D23/269
 D659,334 S * 5/2012 Runyons D32/54
 D665,491 S * 8/2012 Goel D23/386
 D703,898 S * 4/2014 Neu D32/54
 D723,239 S * 2/2015 Raschke D34/29
 D728,757 S * 5/2015 Graham D23/269
 9,085,404 B2 * 7/2015 Dunn B65H 5/28
 D743,513 S * 11/2015 Yamagishi D23/269
 D751,380 S * 3/2016 Torrison D9/416
 D751,381 S * 3/2016 Torrison D9/416
 D751,382 S * 3/2016 Torrison D9/416
 D751,383 S * 3/2016 Torrison D9/416
 9,382,048 B2 * 7/2016 Van De Klippe B65D 47/063

D766,534 S * 9/2016 Stravitz D34/6
 D767,234 S * 9/2016 Kirkland D34/29
 D767,329 S * 9/2016 Mock D7/392.1
 9,573,183 B2 * 2/2017 McClung B21D 51/38
 D783,922 S * 4/2017 Kirkland D34/29
 9,694,972 B1 * 7/2017 Stravitz B65F 1/06
 9,834,376 B1 * 12/2017 Stravitz B65F 1/065
 D828,753 S * 9/2018 Zabaleta D9/435
 D830,434 S * 10/2018 Wakisaka D15/143
 D830,435 S * 10/2018 Wakisaka D15/143
 D888,903 S * 6/2020 Gunther D23/269
 D896,353 S * 9/2020 Nakagawa D23/269
 D916,590 S * 4/2021 Albright D9/435
 D917,825 S * 4/2021 Kirkland D34/29
 2005/0133518 A1 * 6/2005 Chornenky B44D 3/006
 220/699
 2008/0185383 A1 * 8/2008 Philippe B44D 3/127
 220/276
 2013/0098925 A1 * 4/2013 Dunwoody B21D 51/44
 220/604

* cited by examiner

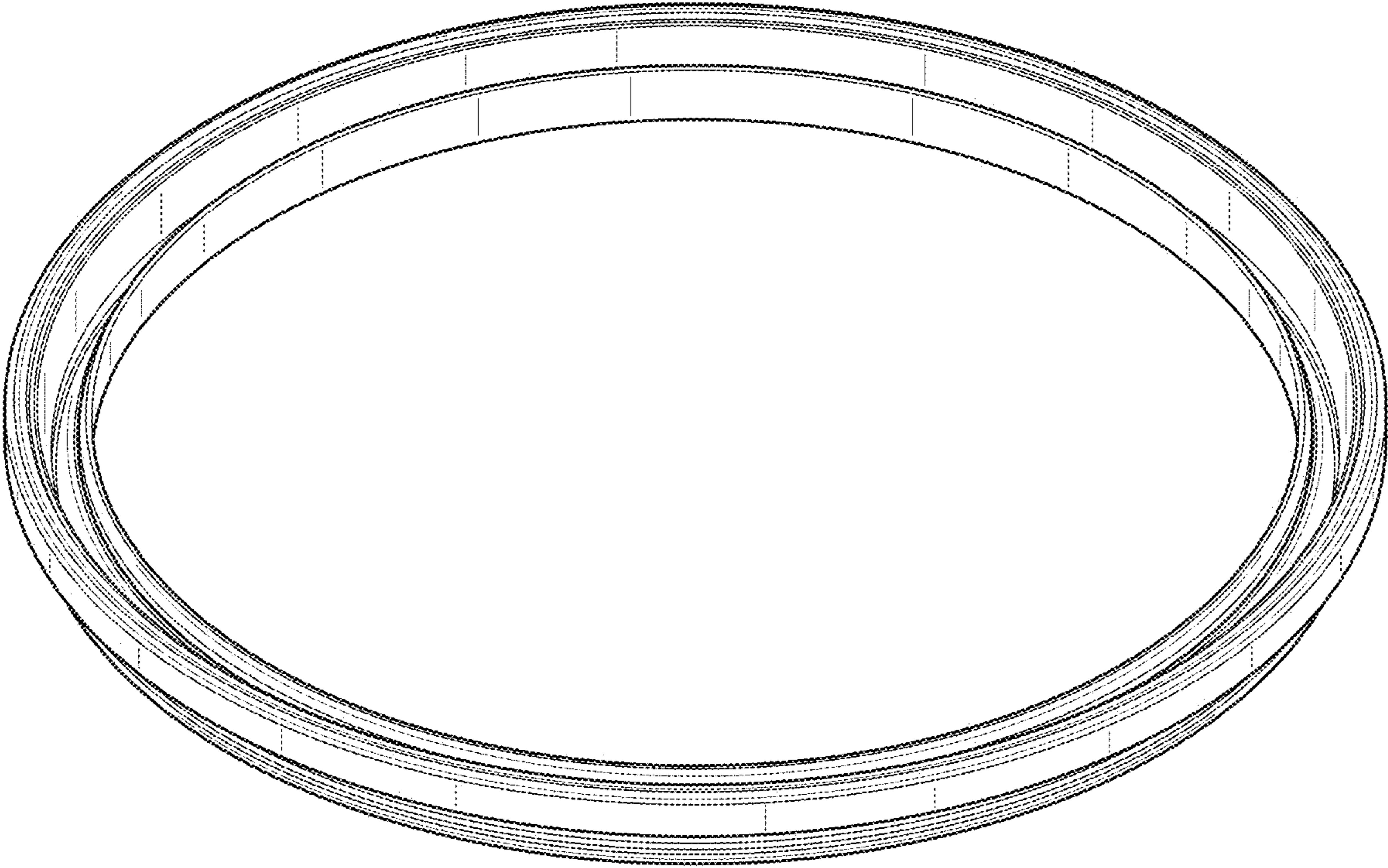


FIG. 1

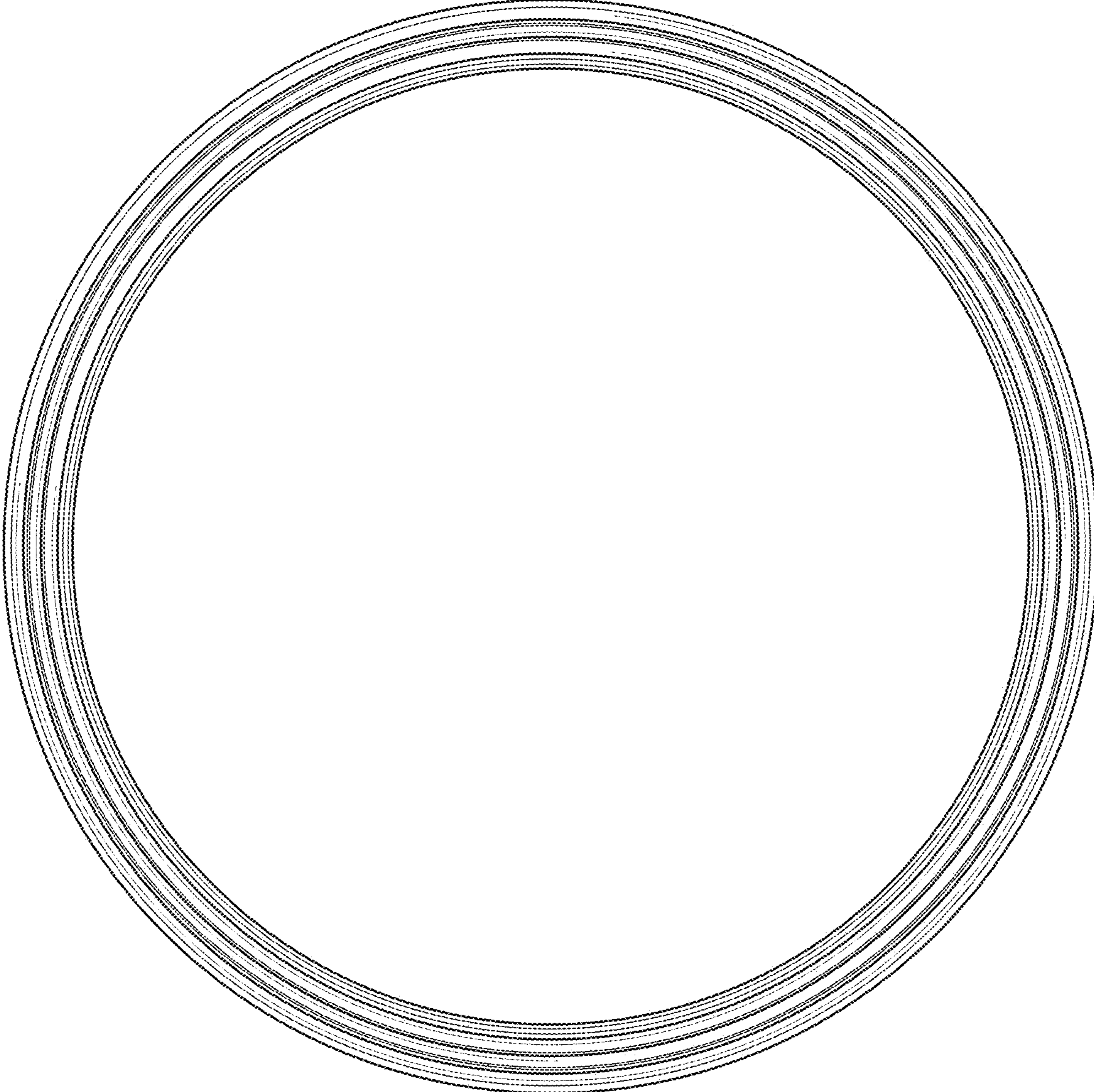


FIG. 2

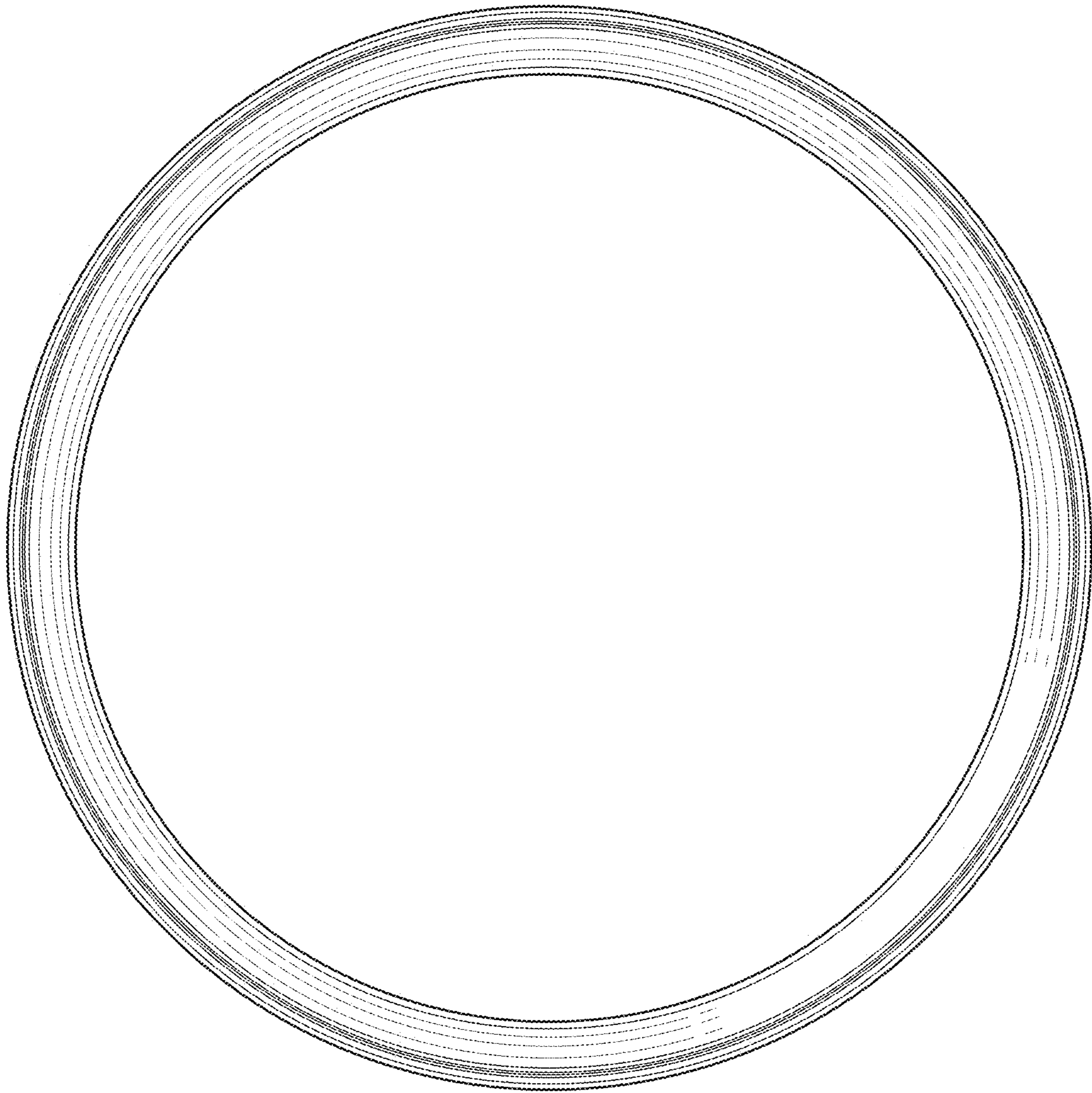


FIG. 3

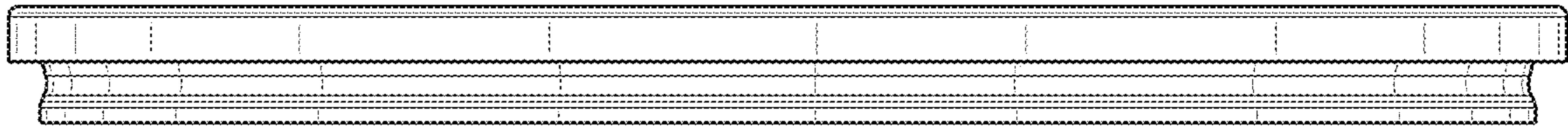


FIG. 4

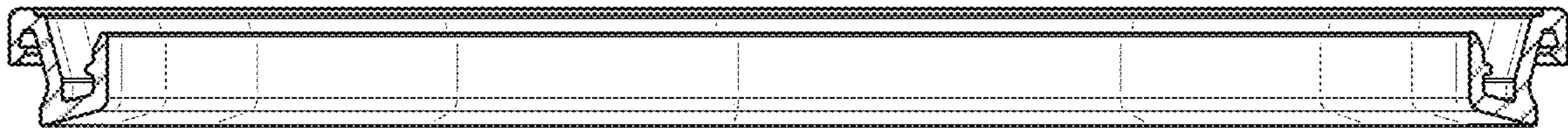


FIG. 5