



US00D932719S

(12) **United States Design Patent** (10) **Patent No.:** **US D932,719 S**
Liu (45) **Date of Patent:** **** Oct. 5, 2021**

(54) **VACUUM CLEANER**

(71) Applicant: **Shenzhen Shermon Technology Co., Limited**, Shenzhen (CN)

(72) Inventor: **Shangliu Liu**, Shenzhen (CN)

(73) Assignee: **SHENZHEN SHERMON TECHNOLOGY CO., LIMITED**, Shenzhen (CN)

(**) Term: **15 Years**

(21) Appl. No.: **29/761,545**

(22) Filed: **Dec. 9, 2020**

(30) **Foreign Application Priority Data**

Oct. 30, 2020 (CN) 202030654300.8

(51) **LOC (13) Cl.** **15-05**

(52) **U.S. Cl.**
USPC **D32/32**

(58) **Field of Classification Search**
USPC D32/17-25, 31-34
CPC A47L 7/00; A47L 9/02; A47L 5/28; A47L 9/102; A47L 9/1608; A47L 9/1683; A47L 5/30; A47L 9/00; A47L 9/04; A47L 9/0422; A47L 9/0461; A47L 9/06; A47L 9/0488; A47L 11/00; A47L 11/20; A47L 11/22; A47L 11/24; A47L 11/32; A47L 11/302; A47L 11/40

See application file for complete search history.

(56) **References Cited**

U.S. PATENT DOCUMENTS

D483,160 S 12/2003 Houghton
D769,557 S 10/2016 Johnson

D779,752 S * 2/2017 Johnson D32/32
D781,514 S * 3/2017 Perin D32/32
D788,393 S * 5/2017 Canas D32/32
D823,567 S * 7/2018 Bond D32/33
D846,821 S * 4/2019 Palladino D32/32
D853,063 S * 7/2019 Johnson D32/33
D855,269 S * 7/2019 Palladino D32/32
D861,268 S * 9/2019 Meyer D32/22
D870,406 S * 12/2019 Niedzwecki D32/33
D870,995 S * 12/2019 Burgess et al.
D905,918 S * 12/2020 Pearce D32/32
D914,306 S * 3/2021 Knapp D32/31
D925,848 S * 7/2021 Johnson D32/32
2017/0215667 A1 * 8/2017 Thorne A47L 5/30

* cited by examiner

Primary Examiner — Kimberly Barnes

(57) **CLAIM**

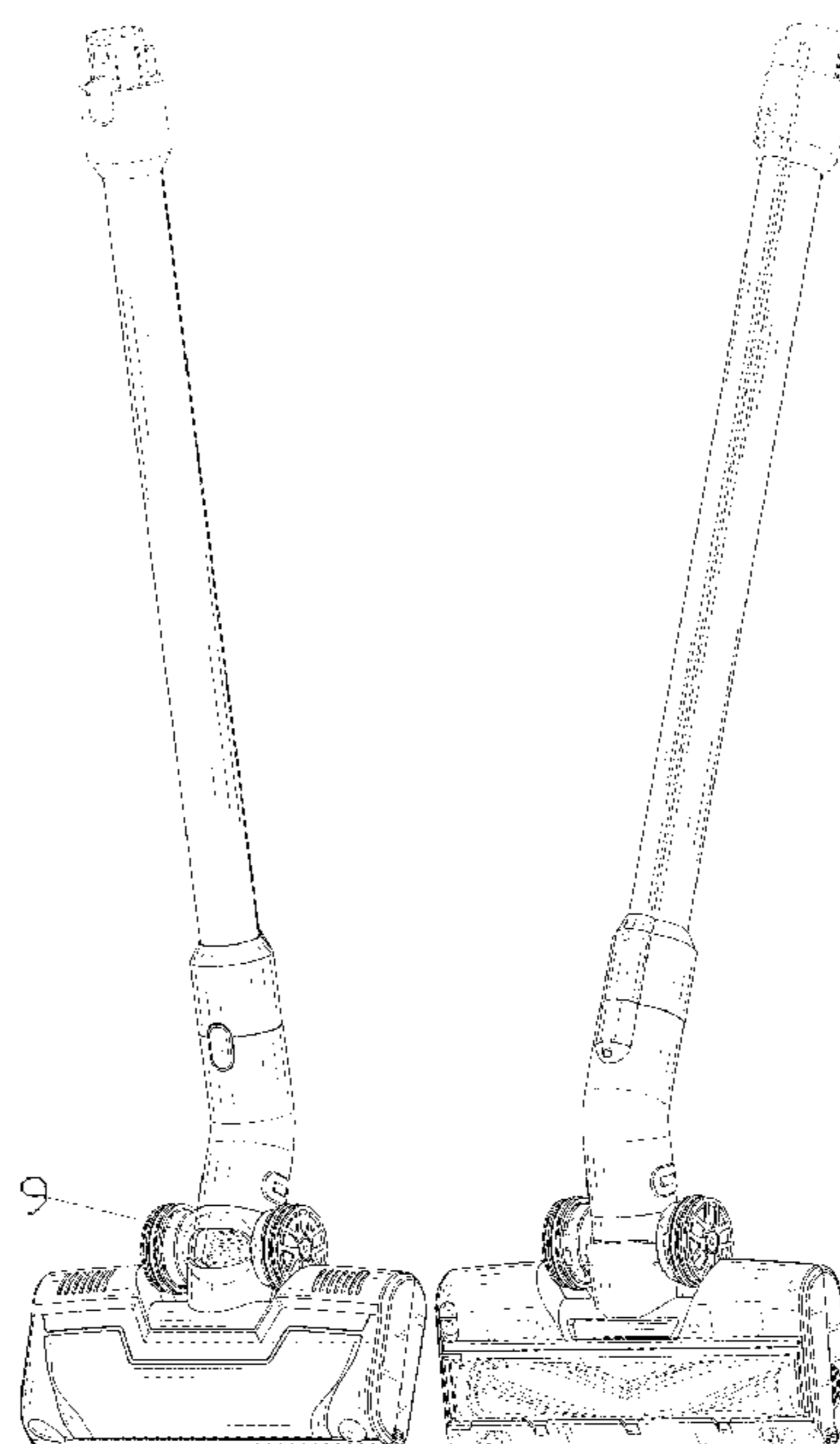
The ornamental design for a vacuum cleaner, as shown and described.

DESCRIPTION

FIG. 1 is a perspective view of a vacuum cleaner showing my new design;
FIG. 2 is another perspective view thereof;
FIG. 3 is a front elevational view thereof;
FIG. 4 is a rear elevational view thereof;
FIG. 5 is a left side elevational view thereof;
FIG. 6 is a right side elevational view thereof;
FIG. 7 is a top plan view thereof;
FIG. 8 is a bottom plan view thereof; and,
FIG. 9 is an enlarged view of the encircled portion 9 of FIG. 1.

The broken lines in the drawings are for the purpose of illustrating portions of the vacuum cleaner that form no part of the claimed design.

1 Claim, 9 Drawing Sheets



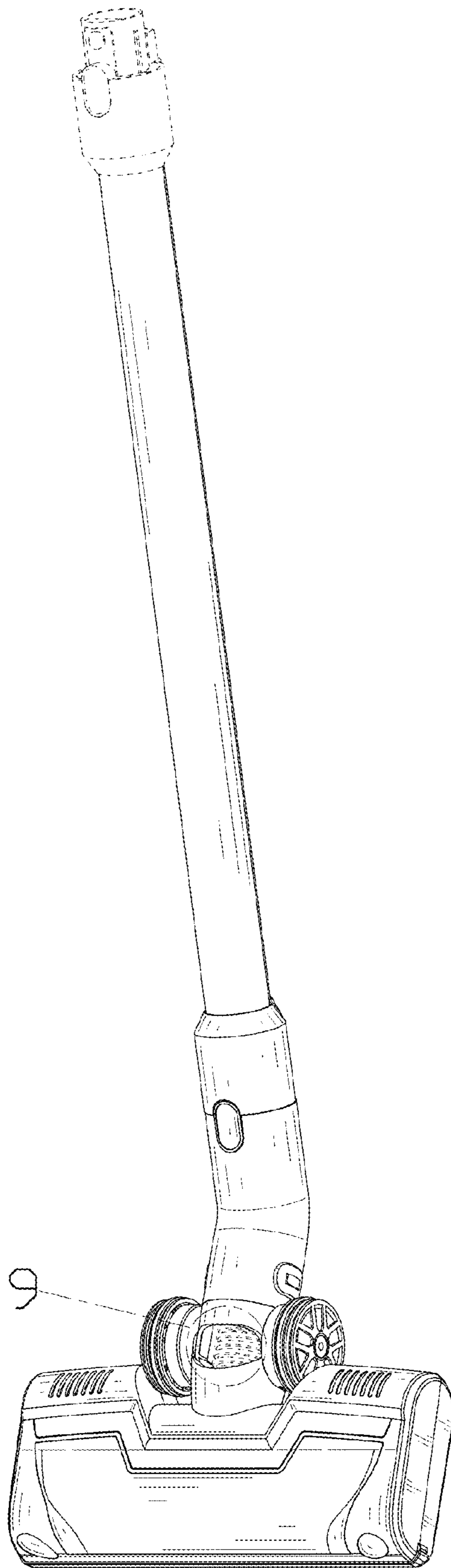


FIG. 1

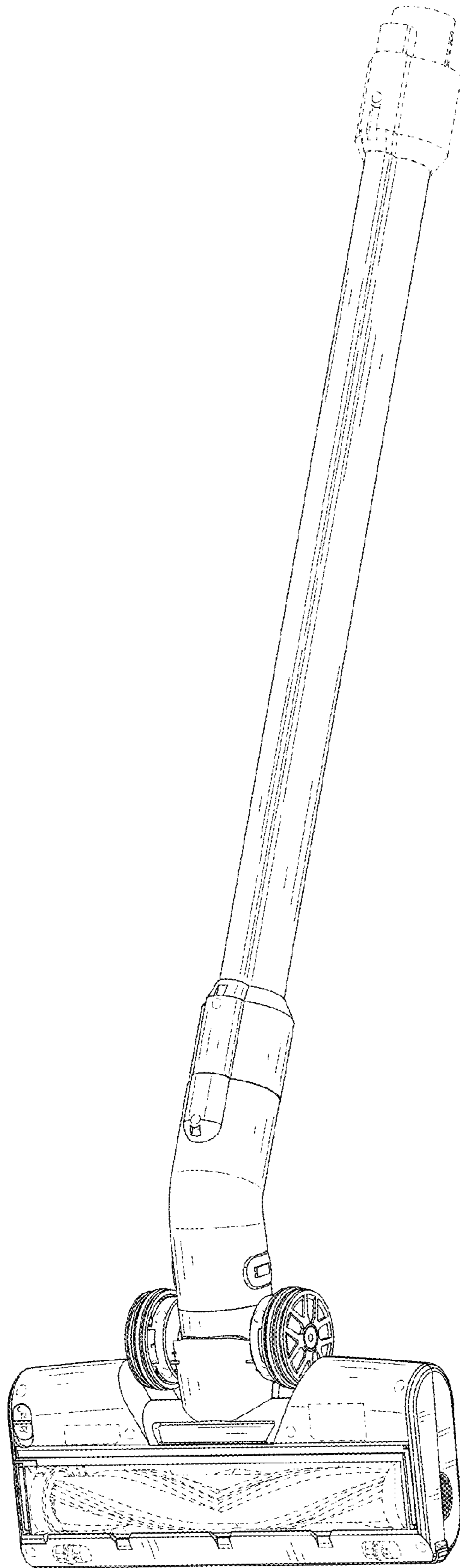


FIG. 2

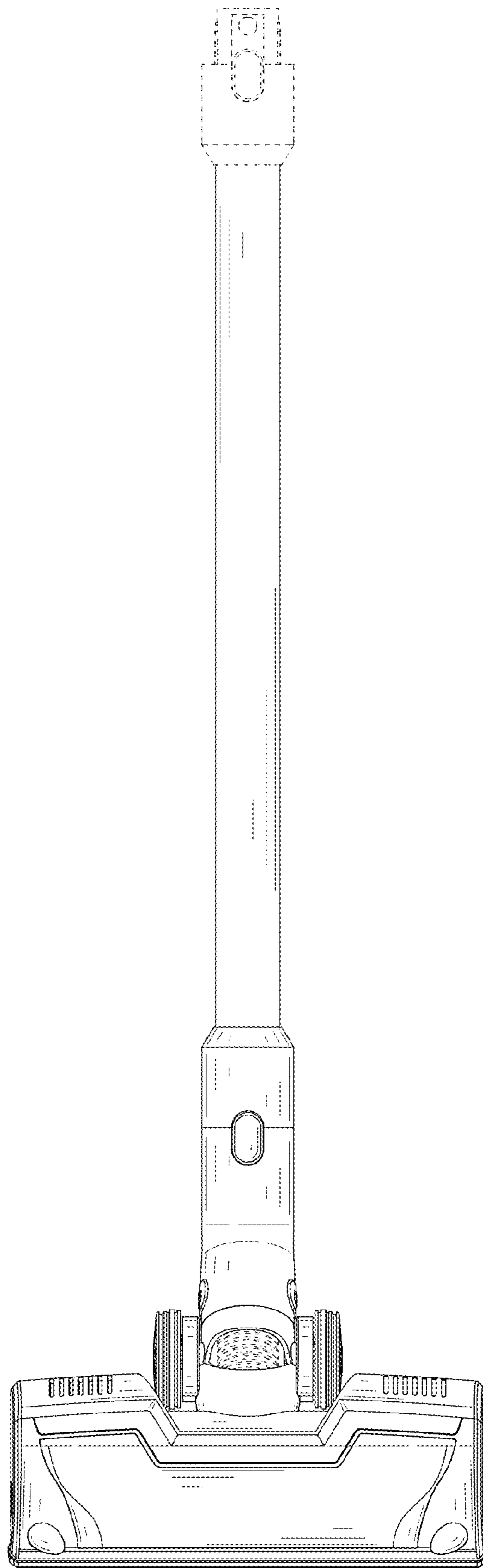


FIG. 3

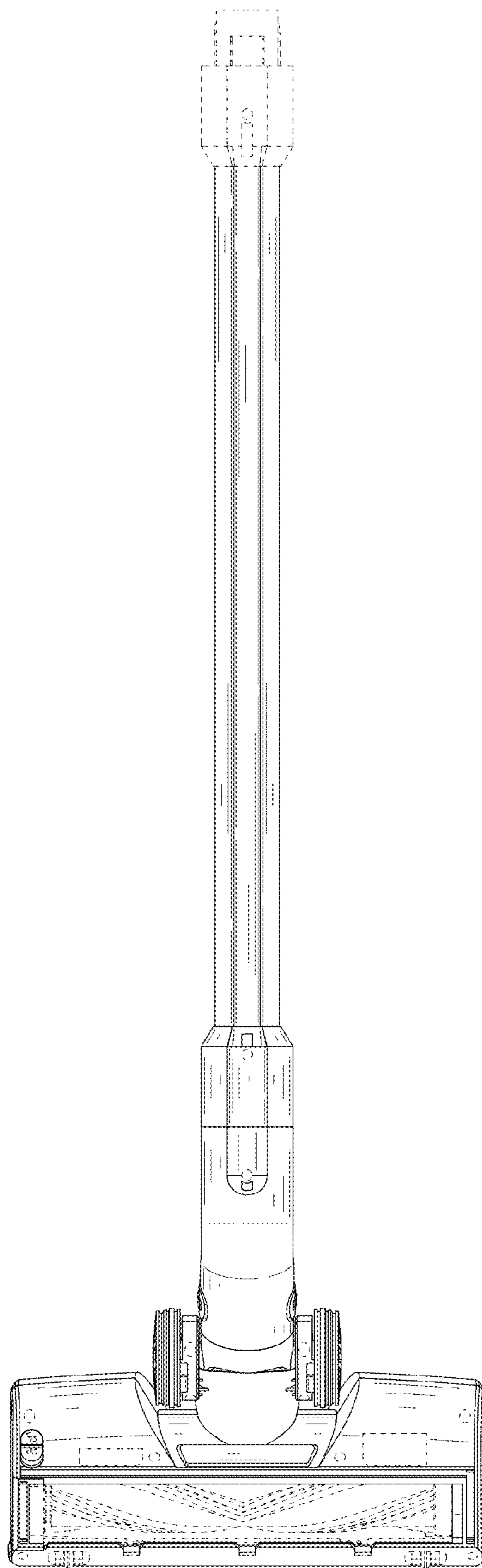


FIG. 4

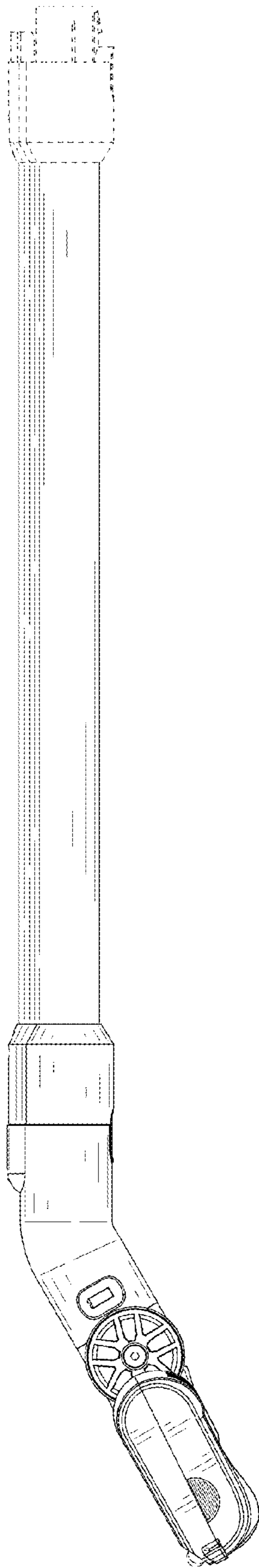


FIG. 5

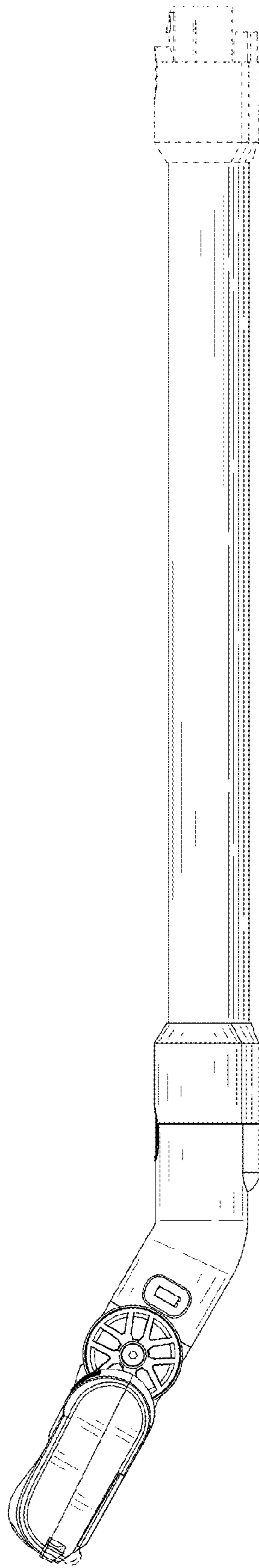


FIG. 6

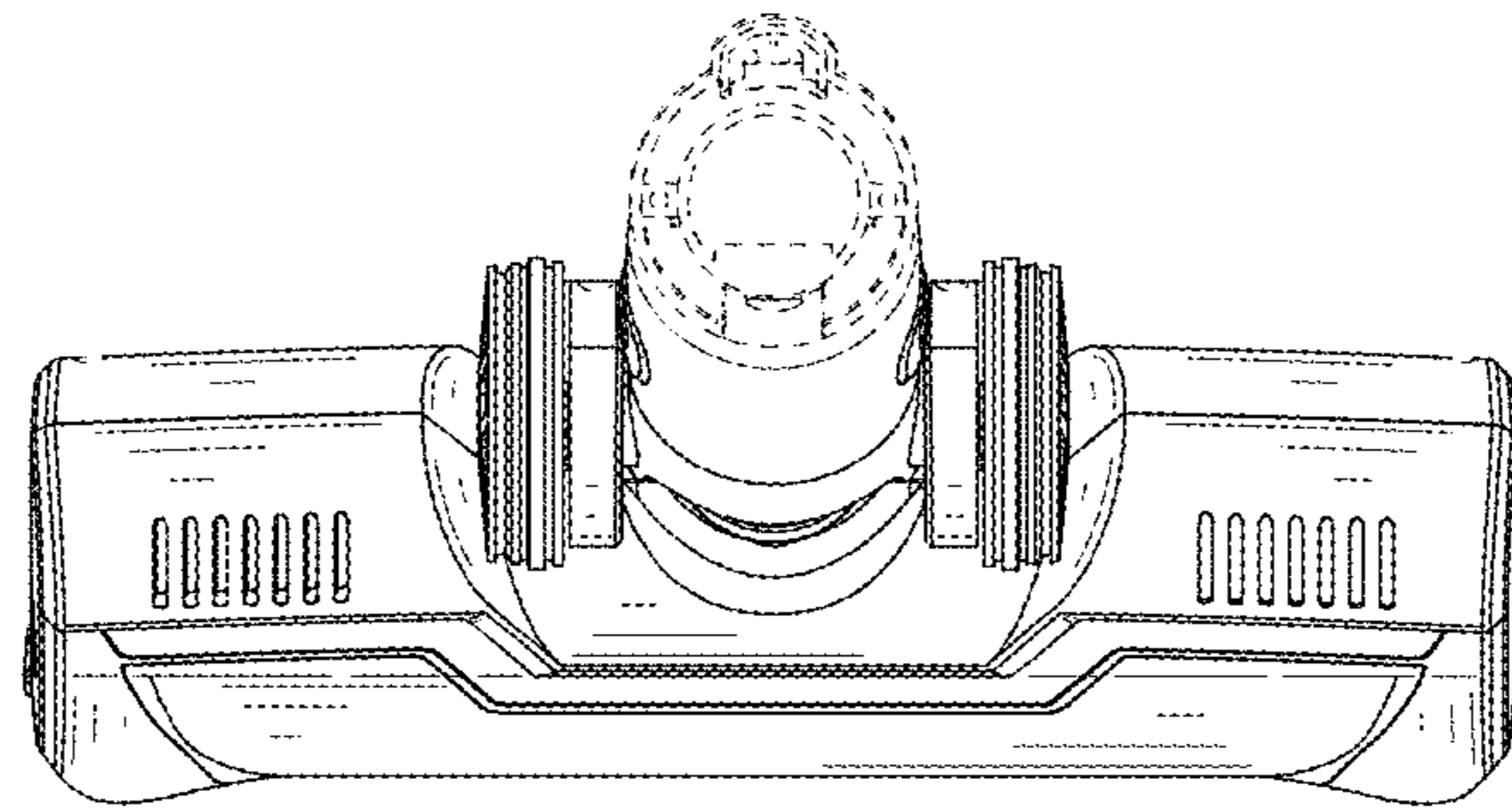


FIG. 7

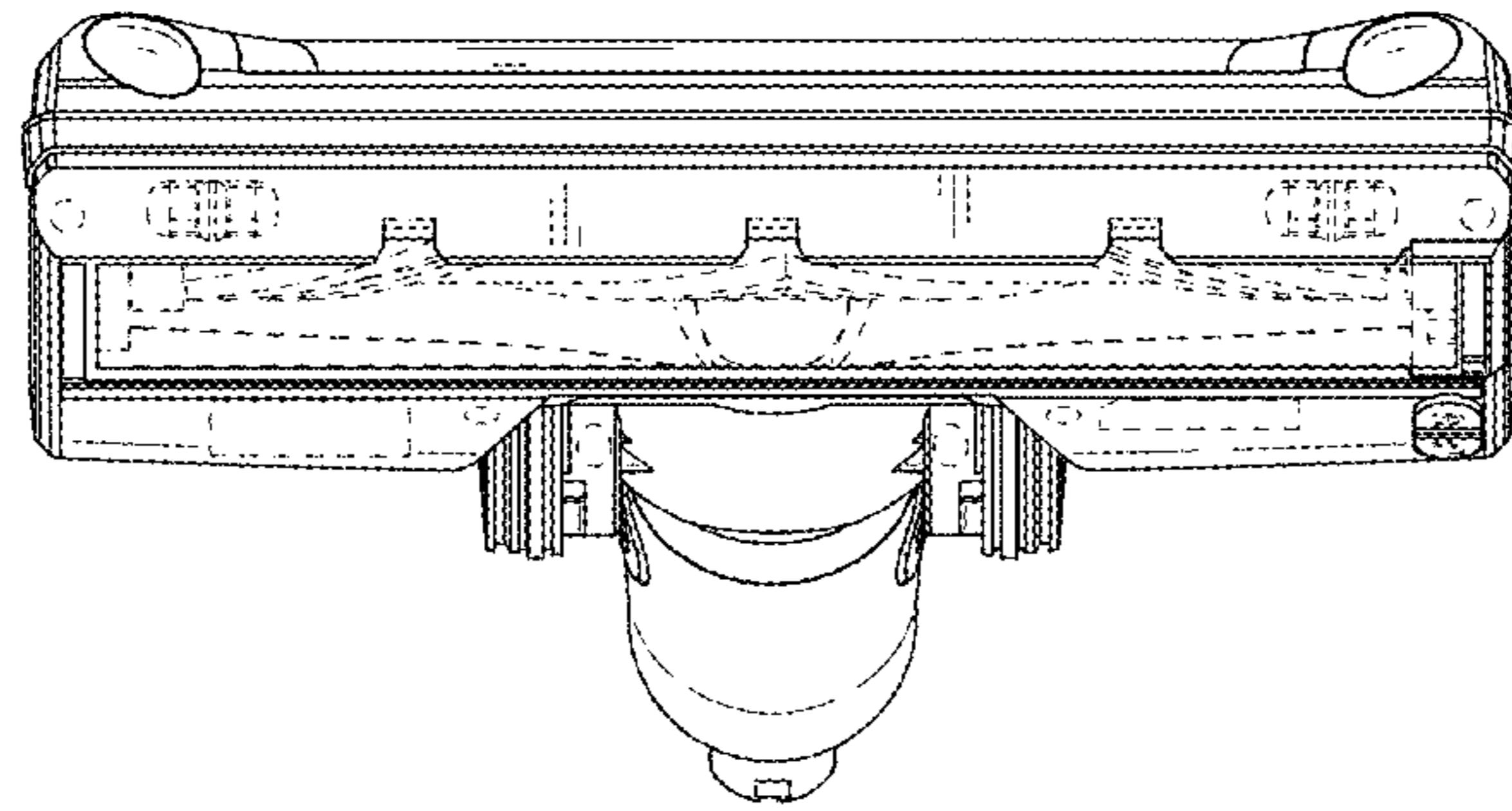


FIG. 8

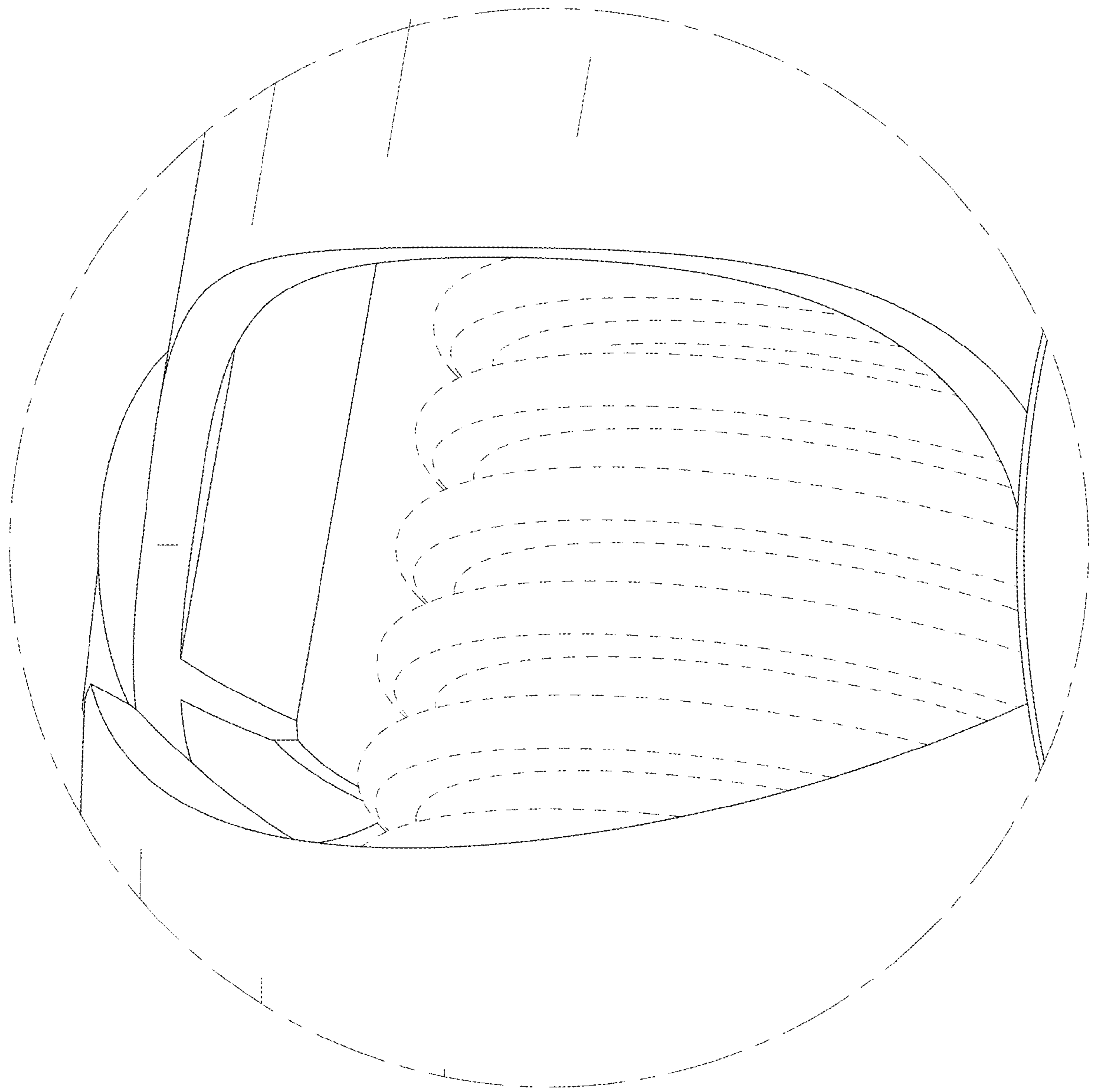


FIG. 9