



US00D932718S

(12) **United States Design Patent**  
**Yan et al.**

(10) **Patent No.: US D932,718 S**  
(45) **Date of Patent: \*\* Oct. 5, 2021**

(54) **CLEANING ROBOT**

(71) Applicants: **ANKOBOT (SHENZHEN) SMART TECHNOLOGIES CO., LTD.**, Shenzhen (CN); **ANKOBOT (SHANGHAI) SMART TECHNOLOGIES CO., LTD.**, Shanghai (CN)

(72) Inventors: **Chao Yan**, Shanghai (CN); **Jinpeng Xu**, Shanghai (CN)

(73) Assignees: **ANKOBOT (SHENZHEN) SMART TECHNOLOGIES CO., LTD.**, Shenzhen (CN); **ANKOBOT (SHANGHAI) SMART TECHNOLOGIES CO., LTD.**, Shanghai (CN)

(\*\*) Term: **15 Years**

(21) Appl. No.: **29/677,540**

(22) Filed: **Jan. 22, 2019**

(30) **Foreign Application Priority Data**

Sep. 29, 2018 (CN) ..... 201830551230.6

(51) **LOC (13) Cl.** ..... **15-05**

(52) **U.S. Cl.**  
USPC ..... **D32/21**

(58) **Field of Classification Search**  
USPC ..... D32/18, 21, 23, 24, 31; D10/106.2, D10/106.5; D14/216, 215; D21/526, 578  
(Continued)

(56) **References Cited**

**U.S. PATENT DOCUMENTS**

D285,303 S \* 8/1986 van de Ven ..... D14/215  
D359,701 S \* 6/1995 Fischette ..... D10/106.5  
(Continued)

**FOREIGN PATENT DOCUMENTS**

CN 301589801 \* 6/2011  
CN 304962760 \* 12/2018

(Continued)

**OTHER PUBLICATIONS**

Deebot 711 Robot Vacuum, announced in YouTube on Mar. 10, 2019 [online], [site visited Oct. 19, 2020], Available from the internet URL: <https://www.youtube.com/watch?v=zGcWzNdMF8E> (Year: 2019).\*

(Continued)

*Primary Examiner* — Dana K Weiland  
*Assistant Examiner* — Jennylou M Binas  
(74) *Attorney, Agent, or Firm* — IPro, PLLC

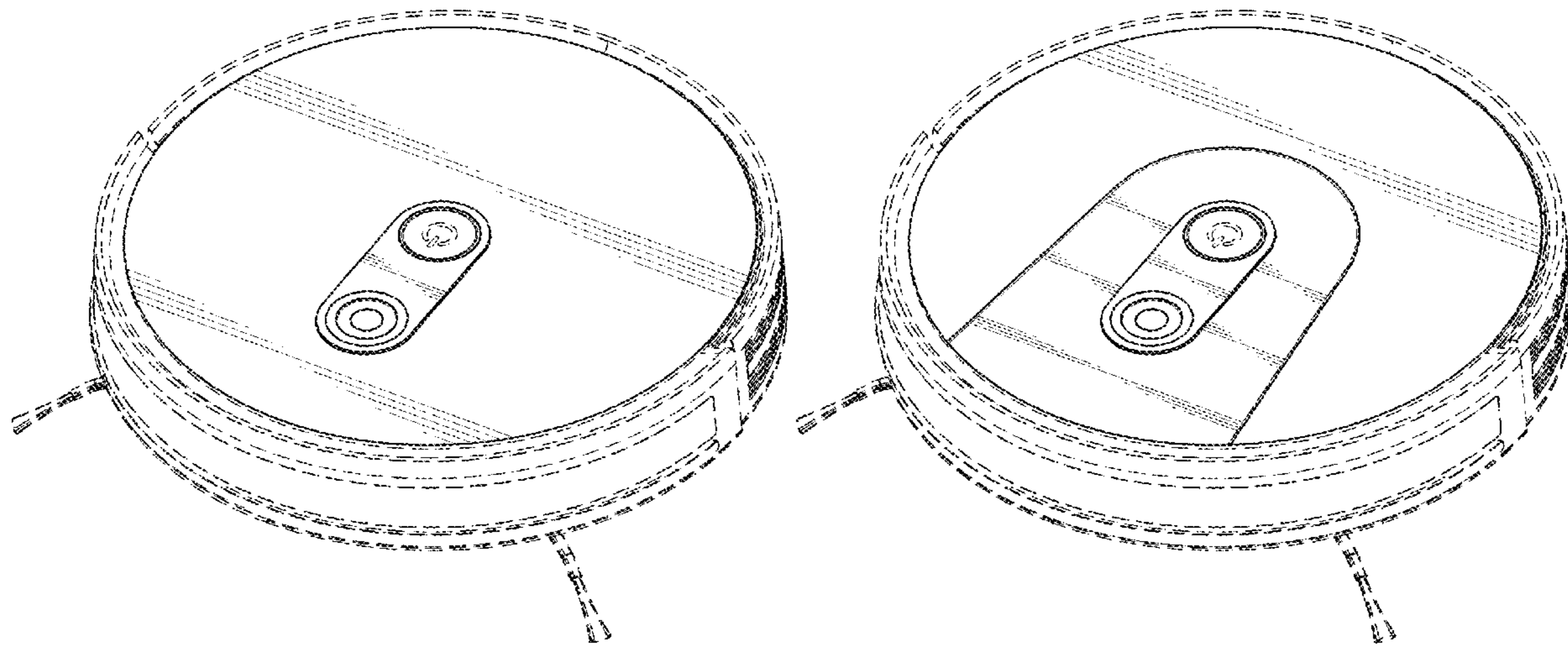
(57) **CLAIM**

The ornamental design for a cleaning robot, as shown and described.

**DESCRIPTION**

FIG. 1 is a perspective view of a first embodiment of a cleaning robot showing the new design; FIG. 2 is a front view of the first embodiment; FIG. 3 is a back view of the first embodiment; FIG. 4 is the left view of the first embodiment; FIG. 5 is the right view of the first embodiment; FIG. 6 is a top view of the first embodiment; FIG. 7 is a bottom view of the first embodiment; FIG. 8 a perspective view of a second embodiment of a cleaning robot; and, FIG. 9 is a front view of the second embodiment of the cleaning robot; the back view, left view, right view, top view and bottom view of the second embodiment are the same as that of the first embodiment. In the drawings, the broken lines depict portions of the cleaning robot that form no part of the claimed design.

**1 Claim, 9 Drawing Sheets**



(58) **Field of Classification Search**

CPC ..... A47L 2201/024; A47L 5/24; A47L 5/30;  
 A47L 5/36; A47L 5/225; A47L 5/365;  
 A47L 9/0036; A47L 9/04; A47L 9/0411;  
 A47L 9/24; A47L 9/106; A47L 9/1683;  
 A47L 9/322; A47L 9/325; A47L 9/327;  
 A47L 9/1608; A47L 7/0004; A47L  
 7/0095; B23Q 11/0046; B23Q 11/0071;  
 B25D 16/00

See application file for complete search history.

(56) **References Cited**

U.S. PATENT DOCUMENTS

D548,902	S	*	8/2007	Chun	.....	D32/21
D661,439	S	*	6/2012	Lee	.....	D32/21
D661,440	S	*	6/2012	Lee	.....	D32/21
D665,547	S	*	8/2012	Nam	.....	D32/21
D718,236	S	*	11/2014	Murray	.....	D13/108
D726,672	S	*	4/2015	Olodort	.....	D14/138 G
D729,771	S	*	5/2015	Hoehn	.....	D14/215
D790,373	S	*	6/2017	Daoura	.....	D10/70
D819,580	S	*	6/2018	Krishnan	.....	D13/182
D835,070	S	*	12/2018	DePasquale	.....	D14/216
D835,869	S	*	12/2018	Li	.....	D32/21
D840,617	S	*	2/2019	Dou	.....	D32/21
D872,953	S	*	1/2020	Ebrahimi Afrouzi	.....	D32/21
D876,035	S	*	2/2020	Song	.....	D32/21
D885,699	S	*	5/2020	Li	.....	D32/21
D890,457	S	*	7/2020	Pearce	.....	D32/21
D893,819	S	*	8/2020	Li	.....	D32/21
2018/0008111	A1	*	1/2018	Morin	.....	A47L 7/0004
2018/0021942	A1	*	1/2018	Hummel	.....	G05D 1/0255 700/253
2018/0070788	A1	*	3/2018	Senoo	.....	A47L 9/2842
2019/0290091	A1	*	9/2019	Liang	.....	A47L 11/24

FOREIGN PATENT DOCUMENTS

CN	304998493	*	1/2019
JP	D1423858	*	9/2011
KR	300368196.0000	*	12/2004

OTHER PUBLICATIONS

Amarey Robot Vacuum A900, announced in YouTube on Apr. 24, 2019 [online], [site visited Oct. 19, 2020], Available from the internet URL: <https://www.youtube.com/watch?v=aLFdn3mJfM8> (Year: 2019).\*

Robot Vacuum Coayu C560, available in Amazon.com, customer review oldest date Jun. 8, 2019 [online], [site visited Oct. 20, 2020], Available from the internet URL: [https://www.amazon.com/dp/B07RZZHRRZ/ref=cm\\_sw\\_r\\_em\\_apa\\_i\\_XJolFbBYY1579](https://www.amazon.com/dp/B07RZZHRRZ/ref=cm_sw_r_em_apa_i_XJolFbBYY1579) (Year: 2019).\*

Robotic Vacuum Cleaner, available Amazon.com, customer review Dec. 28, 2018[online],[site visited Oct. 20, 2020],Internet URL: [https://www.amazon.com/Powerful-Auto-Recharge-Experobot-Electronic-Schedule/dp/B07BB8FS1K/ref=sr\\_1\\_4?dchild=1&keywords=Robotic+Vacuum+Cleaner+Powerful+Suction&qid=1603203974&sr=8-4](https://www.amazon.com/Powerful-Auto-Recharge-Experobot-Electronic-Schedule/dp/B07BB8FS1K/ref=sr_1_4?dchild=1&keywords=Robotic+Vacuum+Cleaner+Powerful+Suction&qid=1603203974&sr=8-4) (Year: 2018).\*

Ecovacs Deebot N79S, announced in YouTube on Jul. 10, 2018 [online], [site visited Oct. 19, 2020], Available from the internet URL: <https://www.youtube.com/watch?v=aVGuzhn70So> (Year: 2018).\*

Bagotte Robot Vacuum, available in Amazon.com customer review oldest date Aug. 26, 2020 [online], [site visited Oct. 19, 2020], Available from the internet URL: [https://www.amazon.com/dp/B08FB5W1DY/ref=cm\\_sw\\_r\\_em\\_apa\\_i\\_6HolFbBWE1R5F](https://www.amazon.com/dp/B08FB5W1DY/ref=cm_sw_r_em_apa_i_6HolFbBWE1R5F) (Year: 2020).\*

Robot Vacuum Cleaner, available in Amazon.com, date first available Sep. 14, 2019 [online], [site visited May 4, 2021], Available from the internet URL: <https://www.amazon.com/Amarey-A980-Robot-Vacuum-Cleaner/dp/B084MFLXZW> (Year: 2019).\*

\* cited by examiner

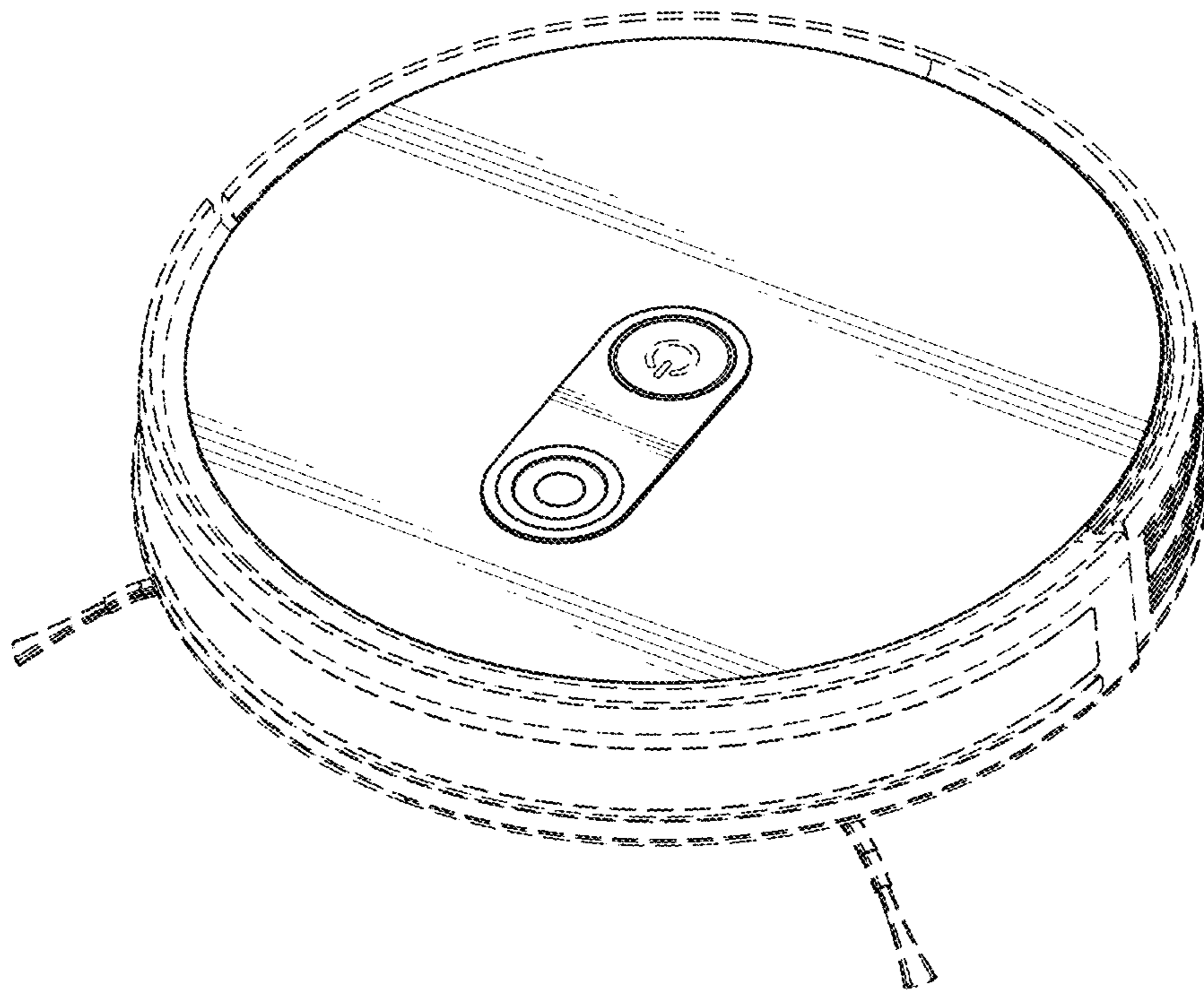


FIG. 1

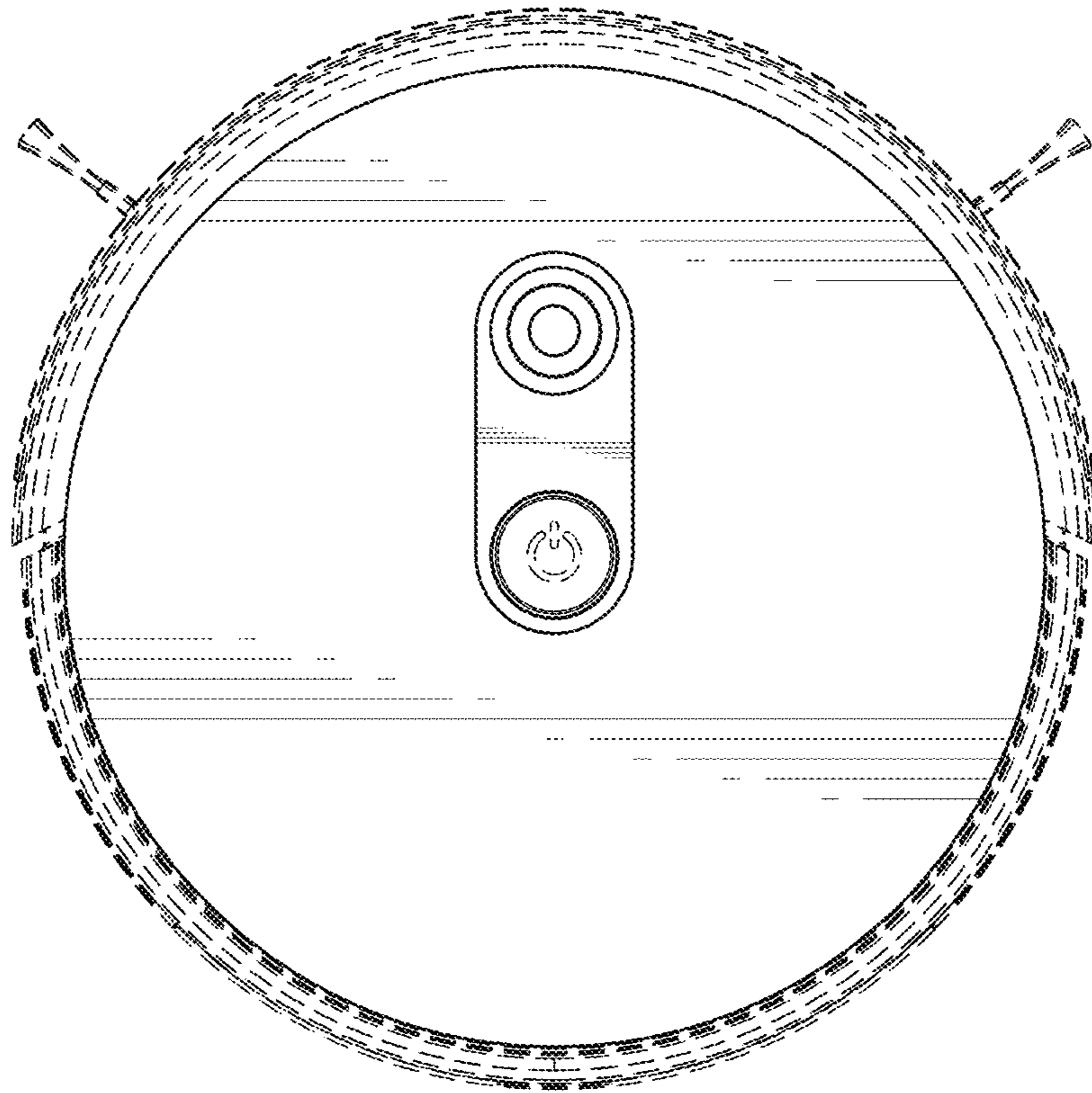


FIG. 2

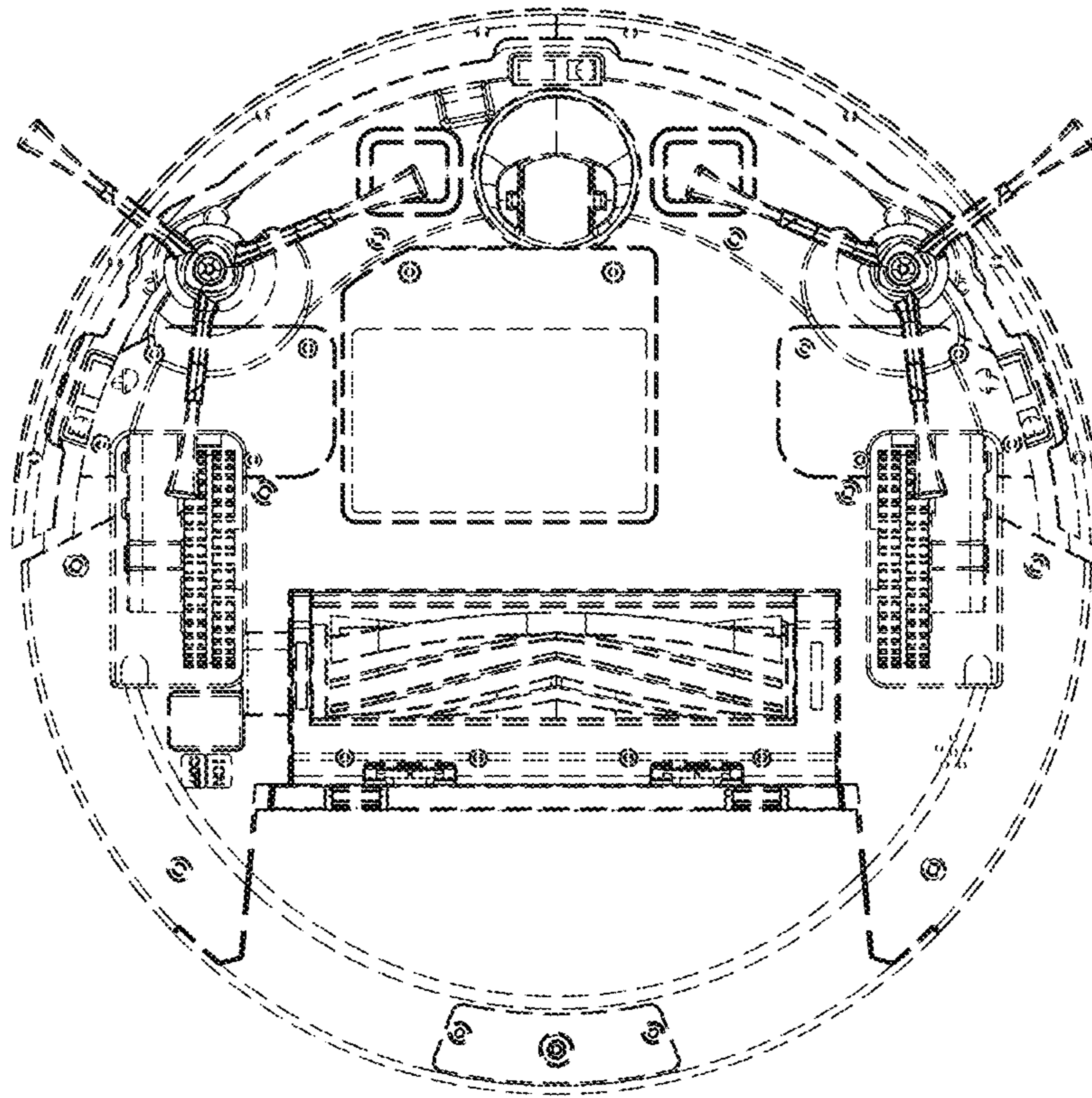


FIG. 3

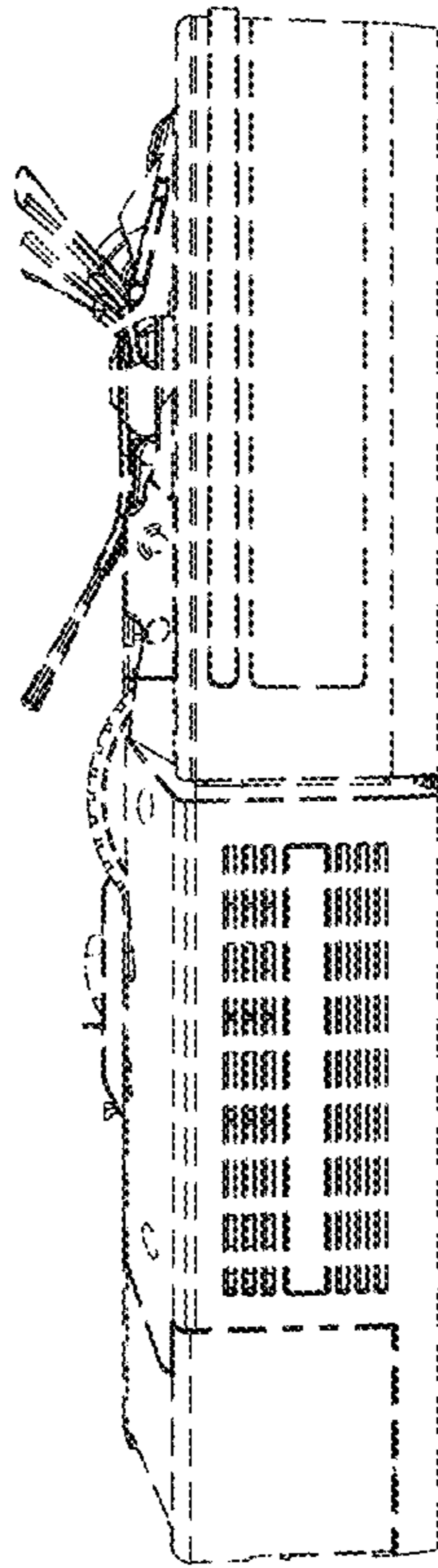


FIG. 4

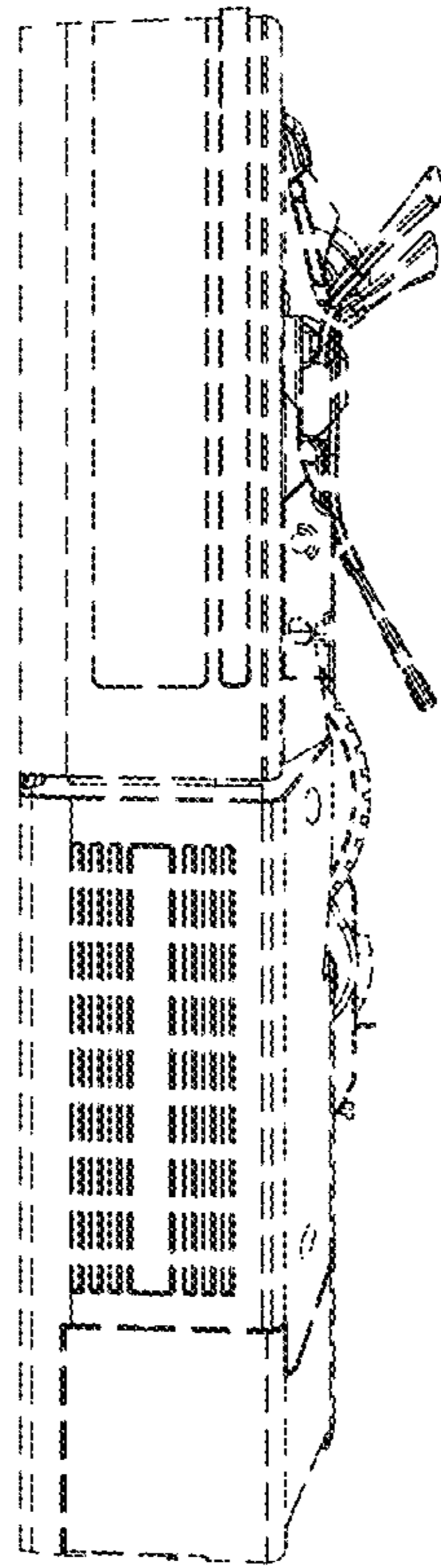


FIG. 5

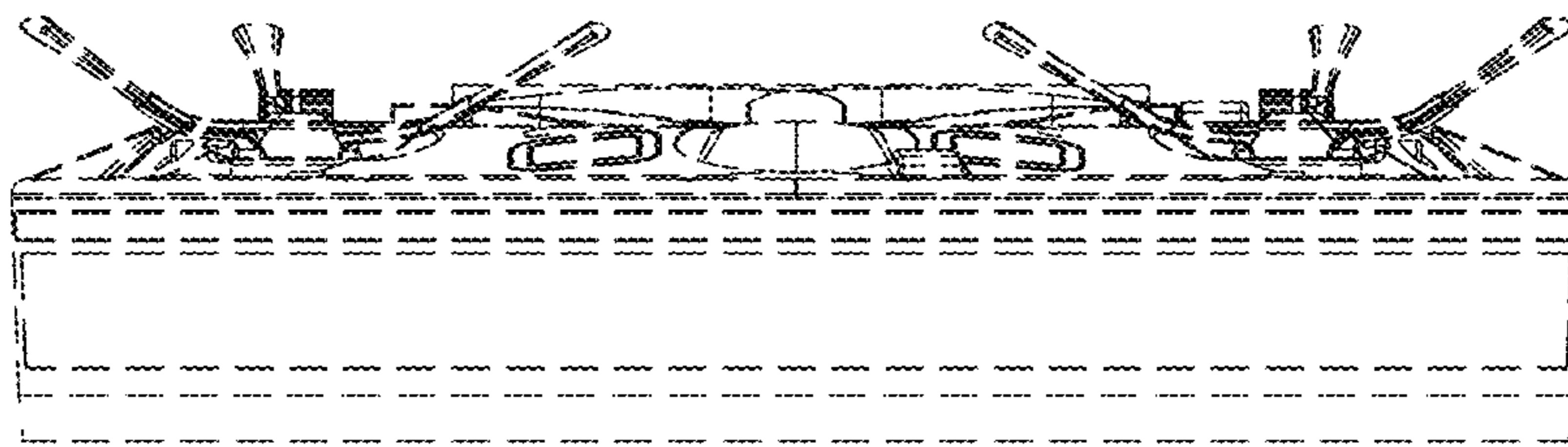


FIG. 6



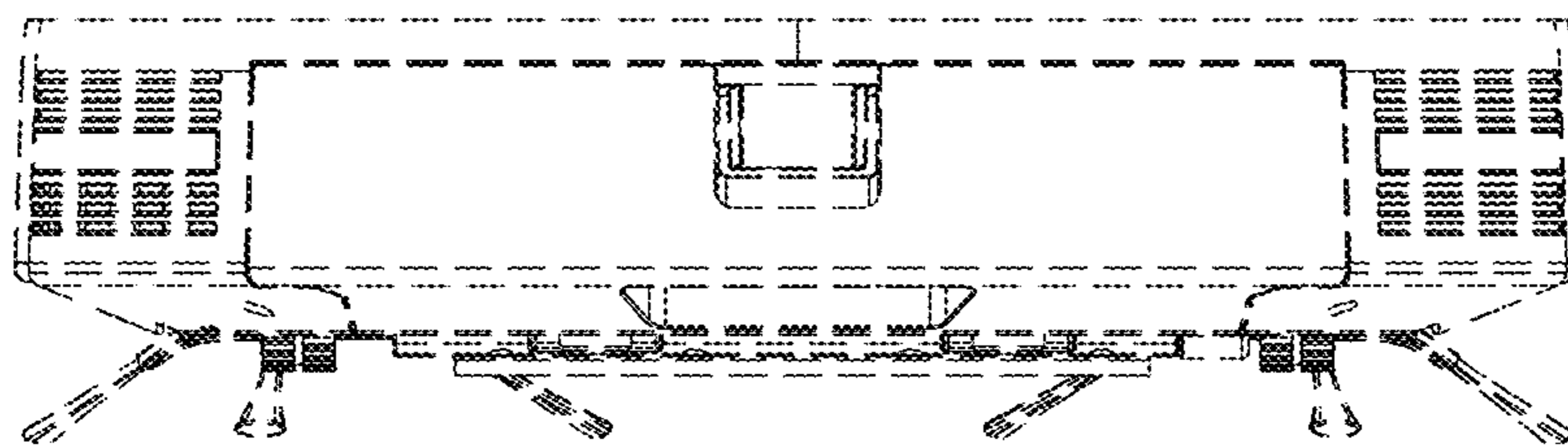


FIG. 7

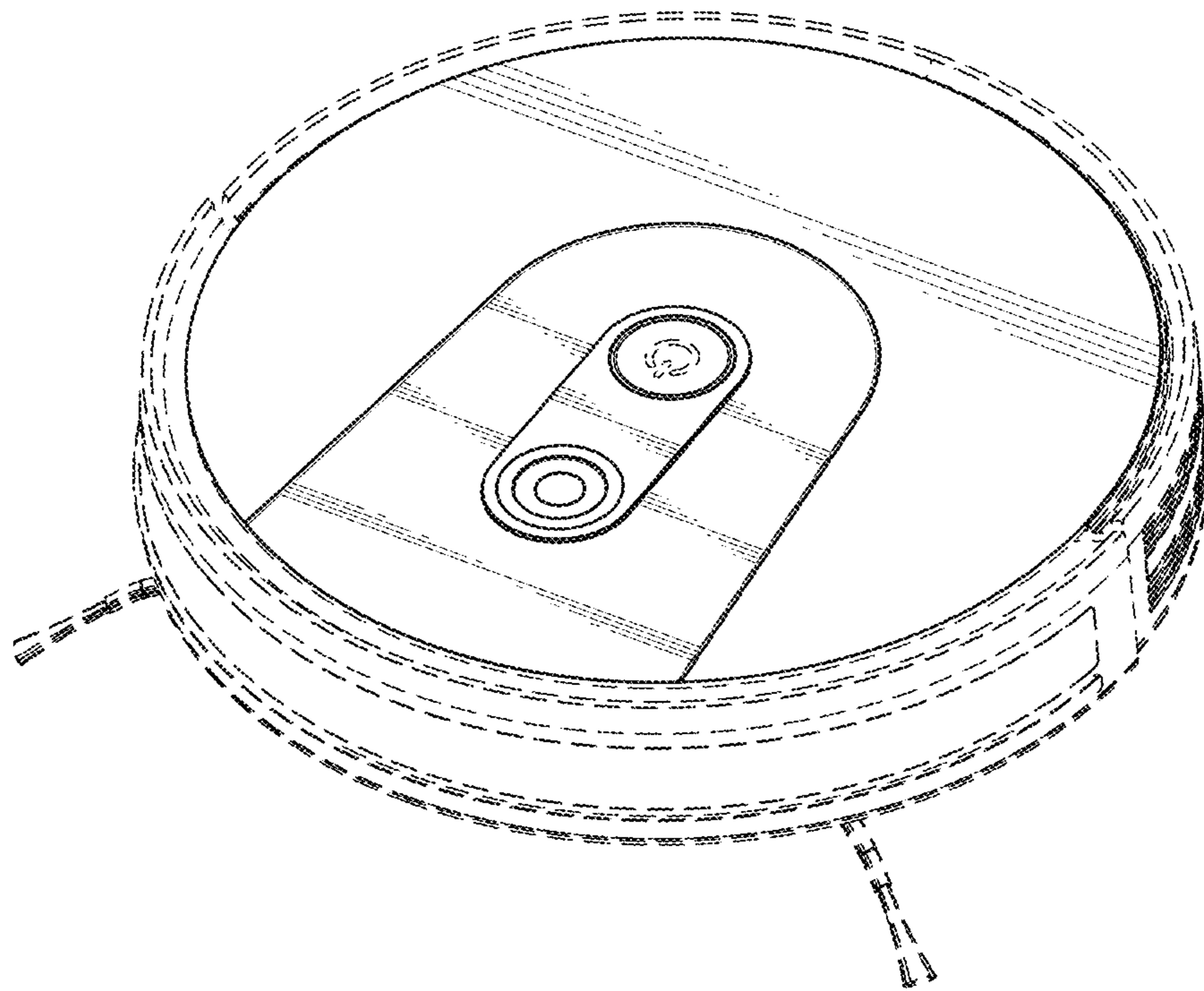


FIG. 8

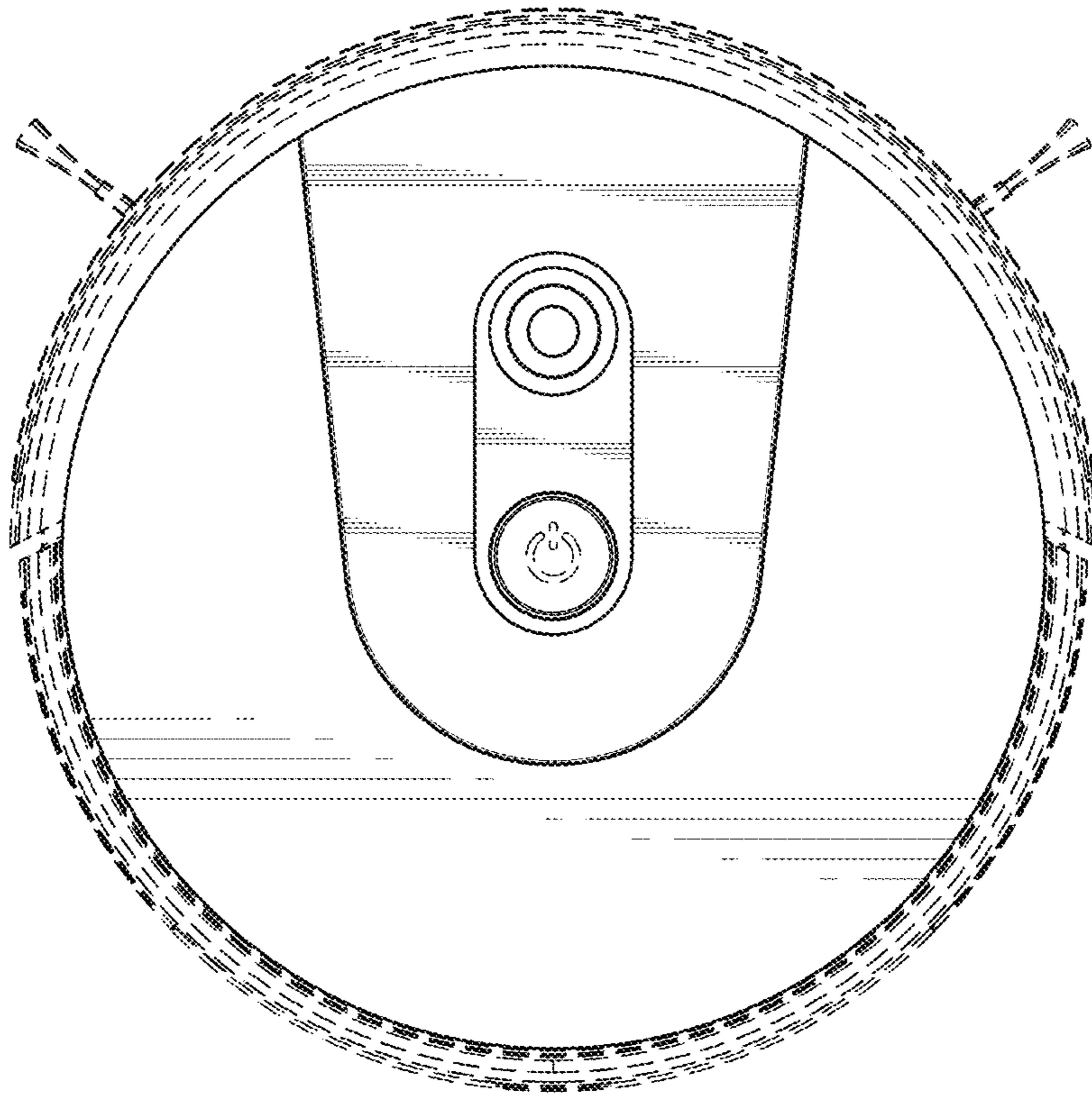


FIG. 9