



US00D932717S

(12) **United States Design Patent** (10) **Patent No.:** **US D932,717 S**  
**Xu** (45) **Date of Patent:** **\*\* Oct. 5, 2021**

(54) **HIGH PRESSURE CLEANER**  
(71) Applicant: **NINGBO YINZHOU JIASHENG PUMP ELECTRIC MACHINERY FACTORY, Ningbo (CN)**  
(72) Inventor: **Rongding Xu, Ningbo (CN)**  
(73) Assignee: **NINGBO YINZHOU JIASHENG PUMP ELECTRIC MACHINERY FACTORY, Ningbo (CN)**

D559,481 S \* 1/2008 Renner ..... D32/15  
D563,612 S \* 3/2008 Li ..... D32/15  
D564,146 S \* 3/2008 Li ..... D32/15  
D564,147 S \* 3/2008 Li ..... D32/15  
D568,557 S \* 5/2008 Alexander ..... D32/15  
D570,060 S \* 5/2008 Renner ..... D32/15  
D574,561 S \* 8/2008 Ni ..... D32/16  
D576,703 S \* 9/2008 Nathan ..... D23/225

(Continued)

(\*\*) Term: **15 Years**

(21) Appl. No.: **29/732,043**

(22) Filed: **Apr. 21, 2020**

(51) **LOC (13) Cl.** ..... **15-05**

(52) **U.S. Cl.**  
USPC ..... **D32/15**

(58) **Field of Classification Search**  
USPC ..... D8/62; D32/4, 15, 16, 22, 25, 225  
CPC ..... B65H 75/4494; B65H 75/4431;  
B08B 3/026; B05B 15/14; A47L 9/0009  
See application file for complete search history.

(56) **References Cited**

**U.S. PATENT DOCUMENTS**

D481,838 S \* 11/2003 Renner ..... D32/15  
D488,596 S \* 4/2004 Cattaneo ..... D32/15  
D489,497 S \* 5/2004 Cattaneo ..... D32/15  
D489,498 S \* 5/2004 Cattaneo ..... D32/15  
D490,196 S \* 5/2004 Lanfredi ..... D32/15  
D490,948 S \* 6/2004 Cattaneo ..... D32/15  
D520,687 S \* 5/2006 Ricker ..... D32/15  
D521,694 S \* 5/2006 Ricker ..... D32/15  
D528,714 S \* 9/2006 Hong ..... D32/15  
D532,166 S \* 11/2006 Reverberi ..... D32/4  
D551,526 S \* 9/2007 Aglassinger ..... D8/62  
D551,812 S \* 9/2007 Renner ..... D32/15  
D551,813 S \* 9/2007 Renner ..... D32/15  
D551,814 S \* 9/2007 Renner ..... D32/15  
D556,959 S \* 12/2007 Li ..... D32/15

**OTHER PUBLICATIONS**

Search results [https://www.google.com/search?q=ST3+3000+PSI+Power&rlz=1C1GCEB\\_enUS915US915&source=Inms&tbm=isch&sa=X&ved=2ahUKewin5ruxnP7wAhXXGFkFHSyUC3IQ\\_AUoAnoECAEQBA&biw=1842&bih=1097#imgc=MokWTiOCbvdsM](https://www.google.com/search?q=ST3+3000+PSI+Power&rlz=1C1GCEB_enUS915US915&source=Inms&tbm=isch&sa=X&ved=2ahUKewin5ruxnP7wAhXXGFkFHSyUC3IQ_AUoAnoECAEQBA&biw=1842&bih=1097#imgc=MokWTiOCbvdsM) (Year: 2021).\*

(Continued)

*Primary Examiner* — Michelle E. Wilson  
*Assistant Examiner* — Richard E Yenchesky  
(74) *Attorney, Agent, or Firm* — Law Offices Of Steven W. Weinrieb

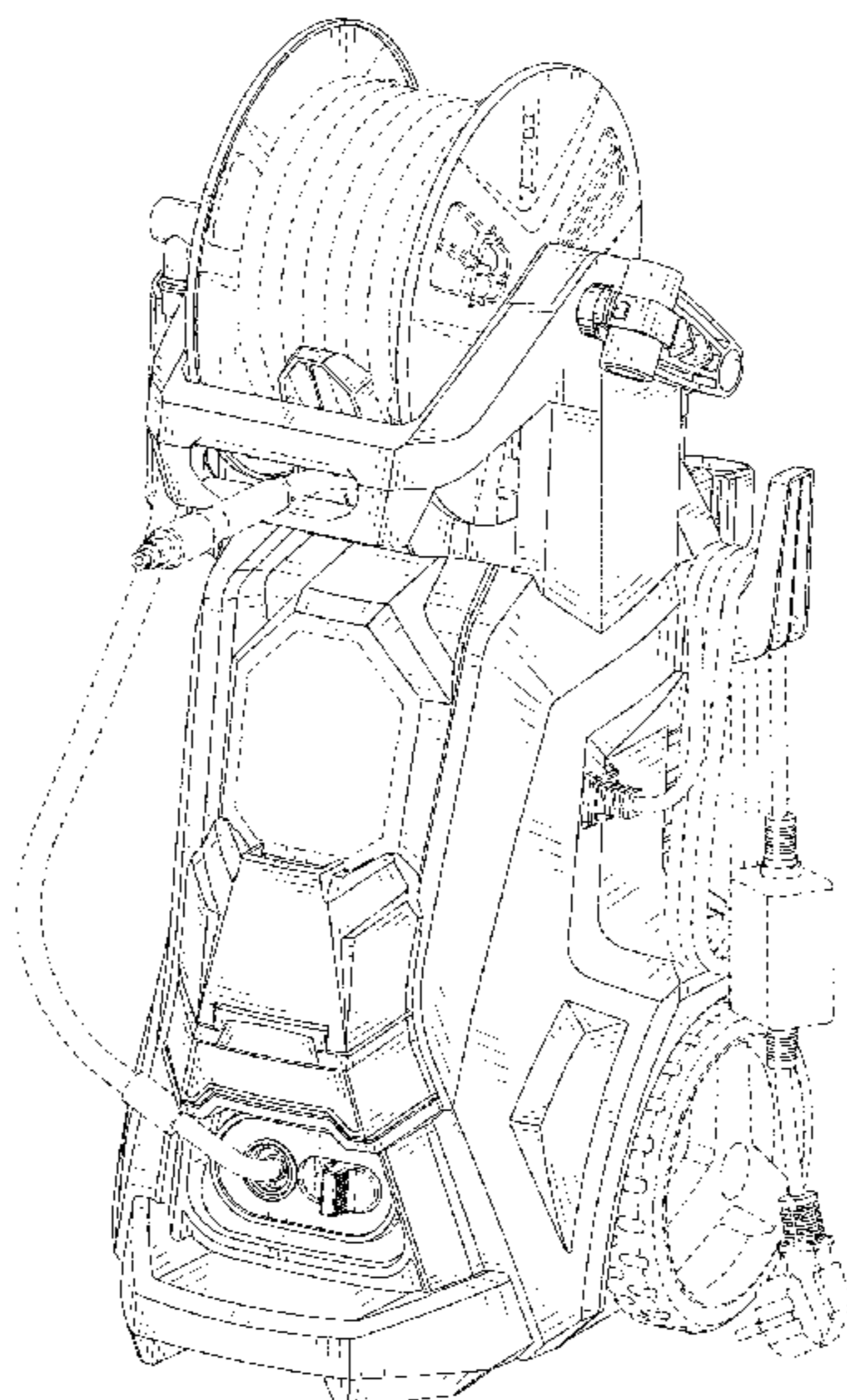
(57) **CLAIM**

The ornamental design for a high pressure cleaner, as shown and described.

**DESCRIPTION**

FIG. 1 is a front, right side, top perspective view of a high pressure cleaner showing my new design; FIG. 2 is a rear, left side, bottom perspective view thereof; FIG. 3 is a front elevational view thereof; FIG. 4 is a rear elevational view thereof; FIG. 5 is a left side elevational view thereof; FIG. 6 is a right side elevational view thereof; FIG. 7 is a top plan view thereof; and, FIG. 8 is a bottom plan view thereof. The broken lines depict portions of the high pressure cleaner that form no part of the claimed design.

**1 Claim, 8 Drawing Sheets**



(56)

References Cited

U.S. PATENT DOCUMENTS

D591,014 S \* 4/2009 Li ..... D32/15  
 D630,390 S \* 1/2011 Meyer ..... D32/15  
 D646,853 S \* 10/2011 Alexander ..... D32/15  
 D647,256 S \* 10/2011 Alexander ..... D32/15  
 D647,257 S \* 10/2011 Alexander ..... D32/15  
 D647,258 S \* 10/2011 Alexander ..... D32/15  
 D647,672 S \* 10/2011 Alexander ..... D32/15  
 D648,081 S \* 11/2011 Alexander ..... D32/15  
 D648,493 S \* 11/2011 Alexander ..... D32/15  
 D660,525 S \* 5/2012 Alexander ..... D32/15  
 D661,438 S \* 6/2012 Alexander ..... D32/15  
 D664,724 S \* 7/2012 Chen ..... D32/15  
 D694,968 S \* 12/2013 Dammkoehler ..... D32/15  
 D696,824 S \* 12/2013 Dammkoehler ..... D32/15  
 D711,603 S \* 8/2014 Alexxander ..... D32/16  
 D728,872 S \* 5/2015 Alexander ..... D32/15  
 D729,468 S \* 5/2015 Dammkoehler ..... D32/15  
 D737,528 S \* 8/2015 Dammkoehler ..... D32/25  
 D739,100 S \* 9/2015 Tatic ..... D32/16  
 D743,643 S \* 11/2015 Casey ..... D32/15  
 D781,009 S \* 3/2017 Meyer ..... D32/16  
 D781,010 S \* 3/2017 Meyer ..... D32/16  
 D781,511 S \* 3/2017 Meyer ..... D32/16

D833,696 S \* 11/2018 Bearup ..... D32/25  
 D838,926 S \* 1/2019 Delgado ..... D32/16  
 D839,512 S \* 1/2019 Bearup ..... D32/25  
 D841,906 S \* 2/2019 Weinberg ..... D32/16  
 D849,344 S \* 5/2019 Chavana, Jr. .... D32/22  
 D873,512 S \* 1/2020 Chavana, Jr. .... D32/15  
 D879,394 S \* 3/2020 Kranzle ..... D32/16  
 D894,505 S \* 8/2020 Yang ..... D32/15  
 D903,960 S \* 12/2020 Yang ..... D32/15  
 D918,499 S \* 5/2021 Xu ..... D32/15  
 2009/0272412 A1 \* 11/2009 Steinhauser ..... B65H 75/4431  
 134/198  
 2012/0180250 A1 \* 7/2012 Ricklefsen ..... A47L 9/0009  
 15/300.1  
 2017/0304873 A1 \* 10/2017 Luby ..... B08B 3/026  
 2021/0121907 A1 \* 4/2021 Weik ..... B05B 15/14  
 2021/0121923 A1 \* 4/2021 Werner ..... B08B 3/026  
 2021/0122605 A1 \* 4/2021 Tost ..... B65H 75/4494

OTHER PUBLICATIONS

Schafter St3 3000 <https://www.ebay.com/p/27028466167?iid=273698060600> (Year: 2021).\*

\* cited by examiner

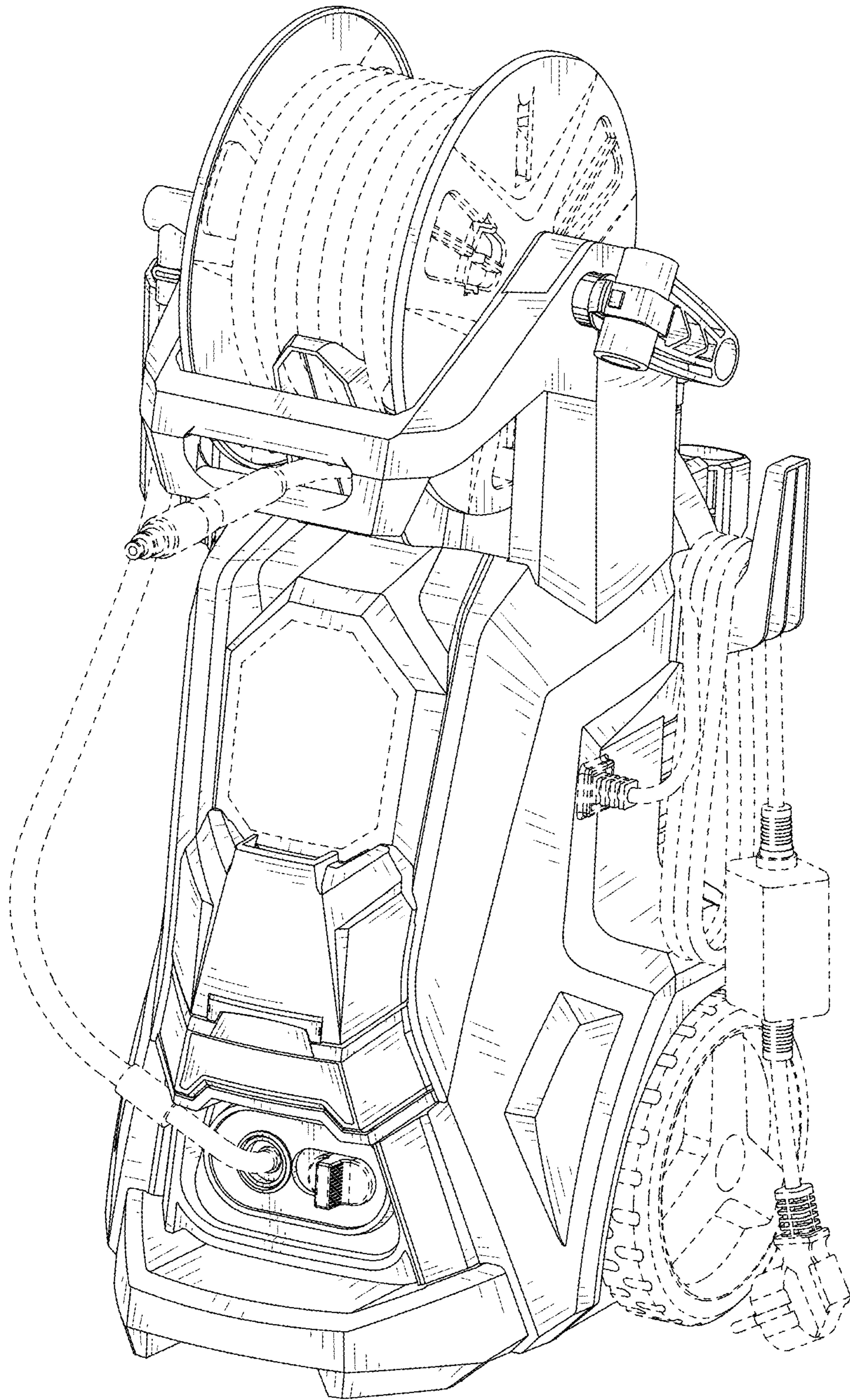


FIG. 1

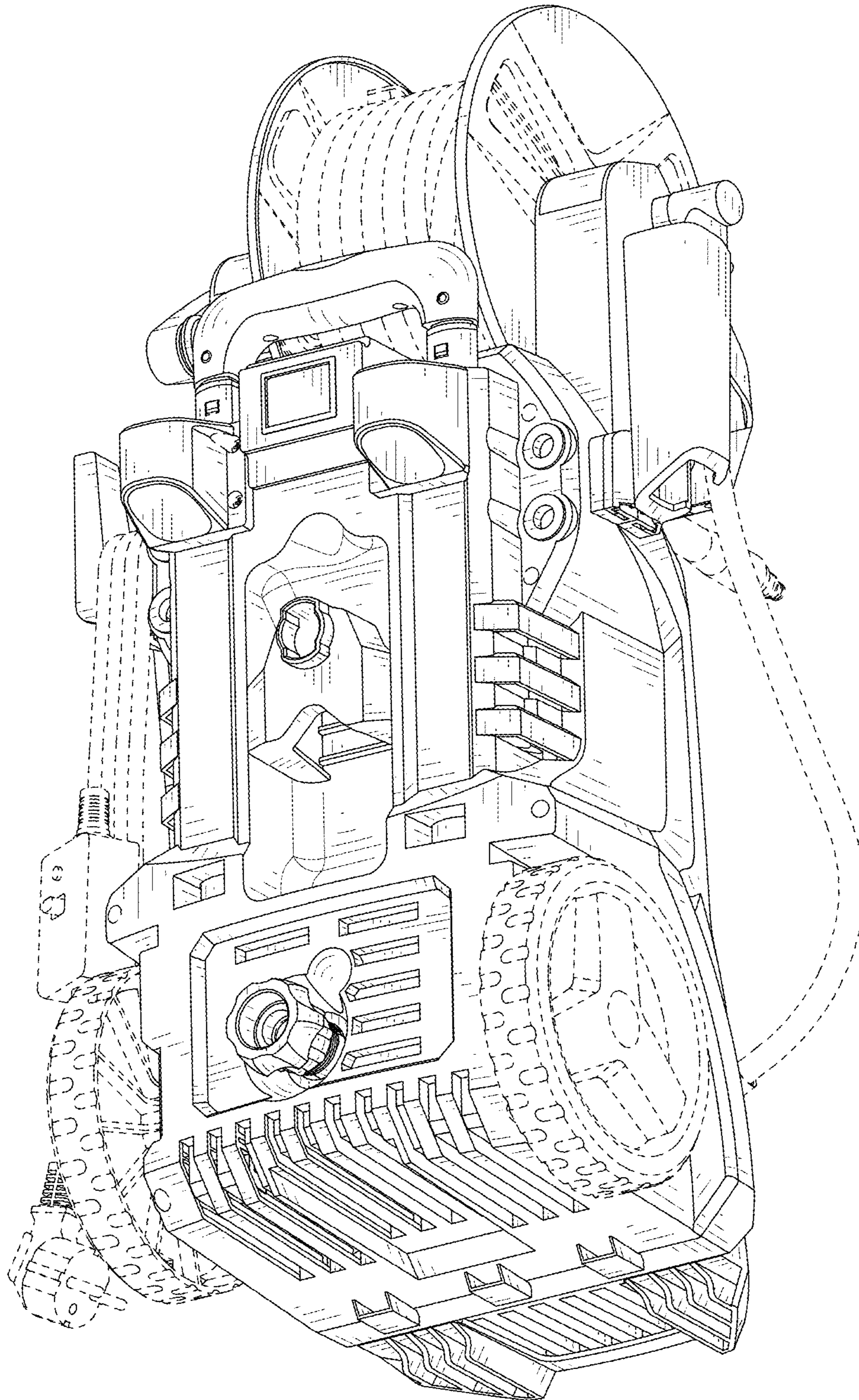


FIG. 2

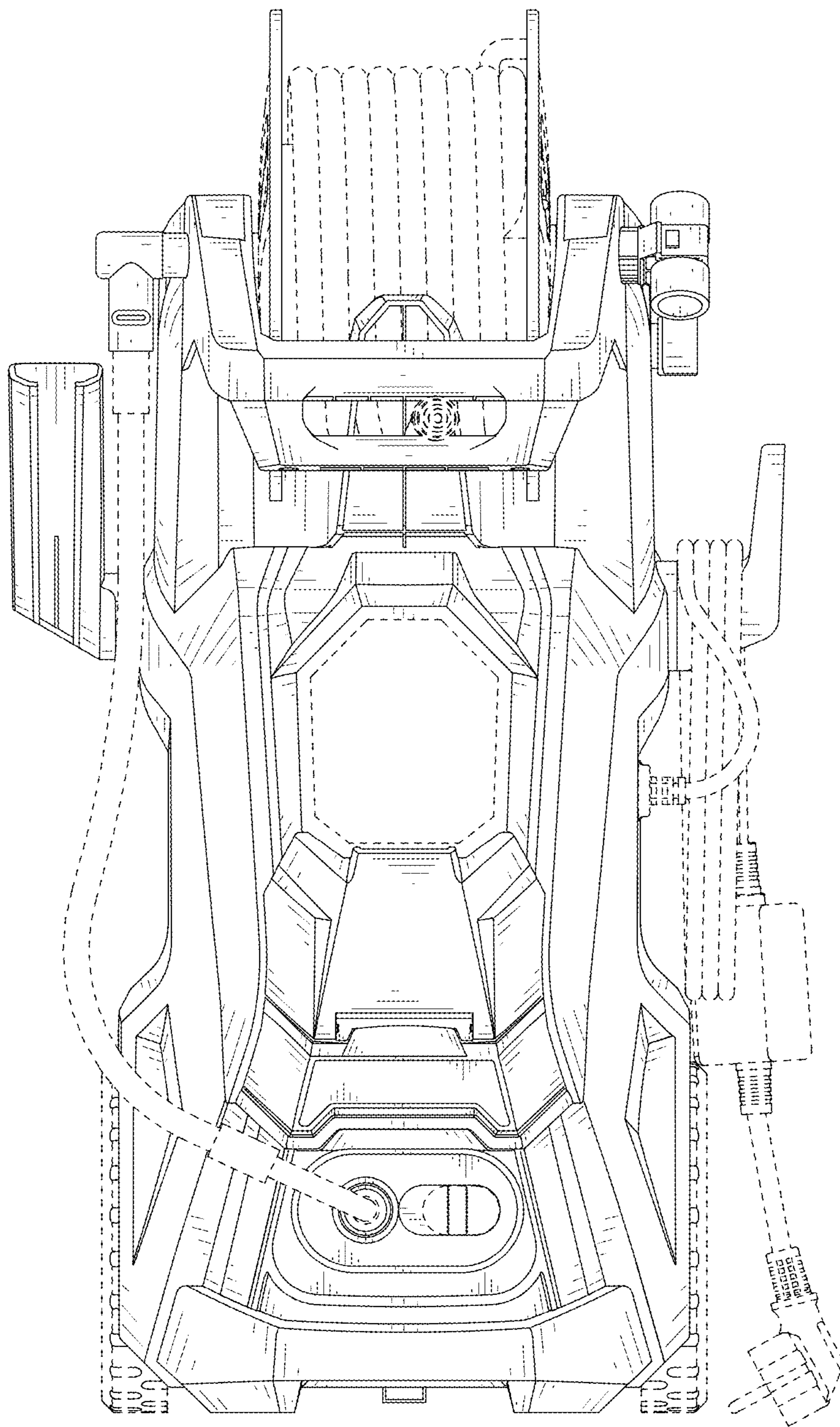


FIG. 3

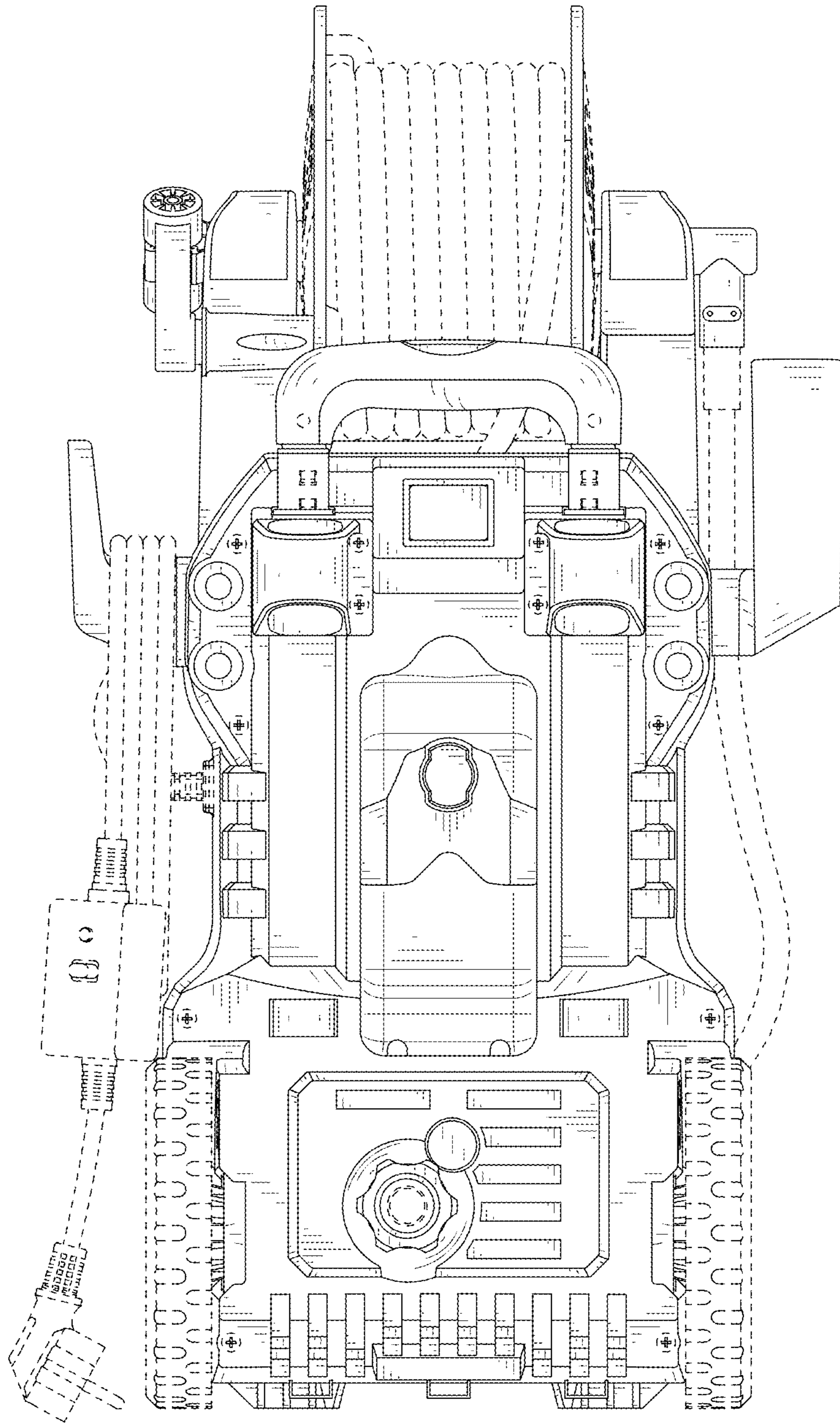


FIG. 4

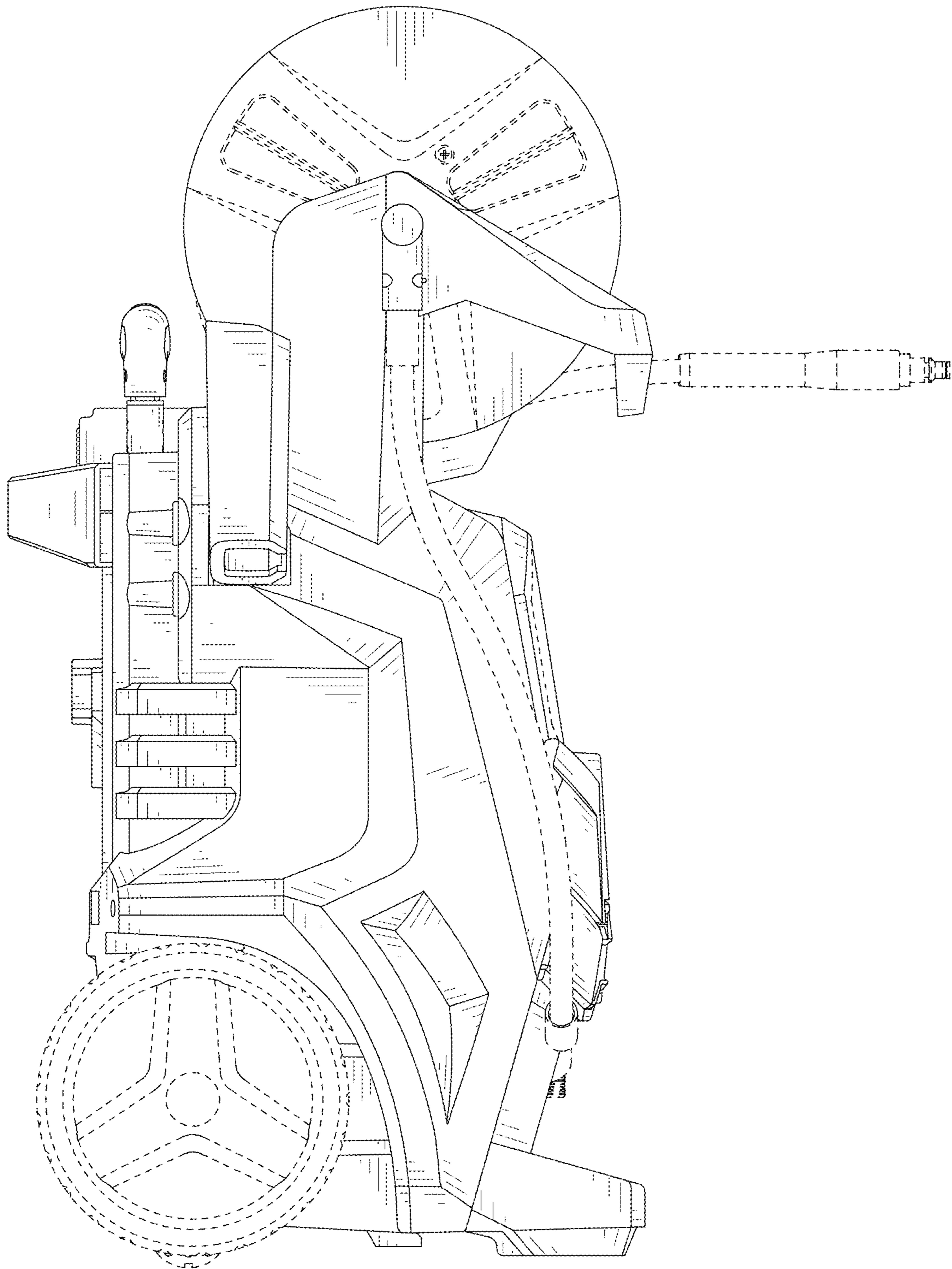


FIG. 5

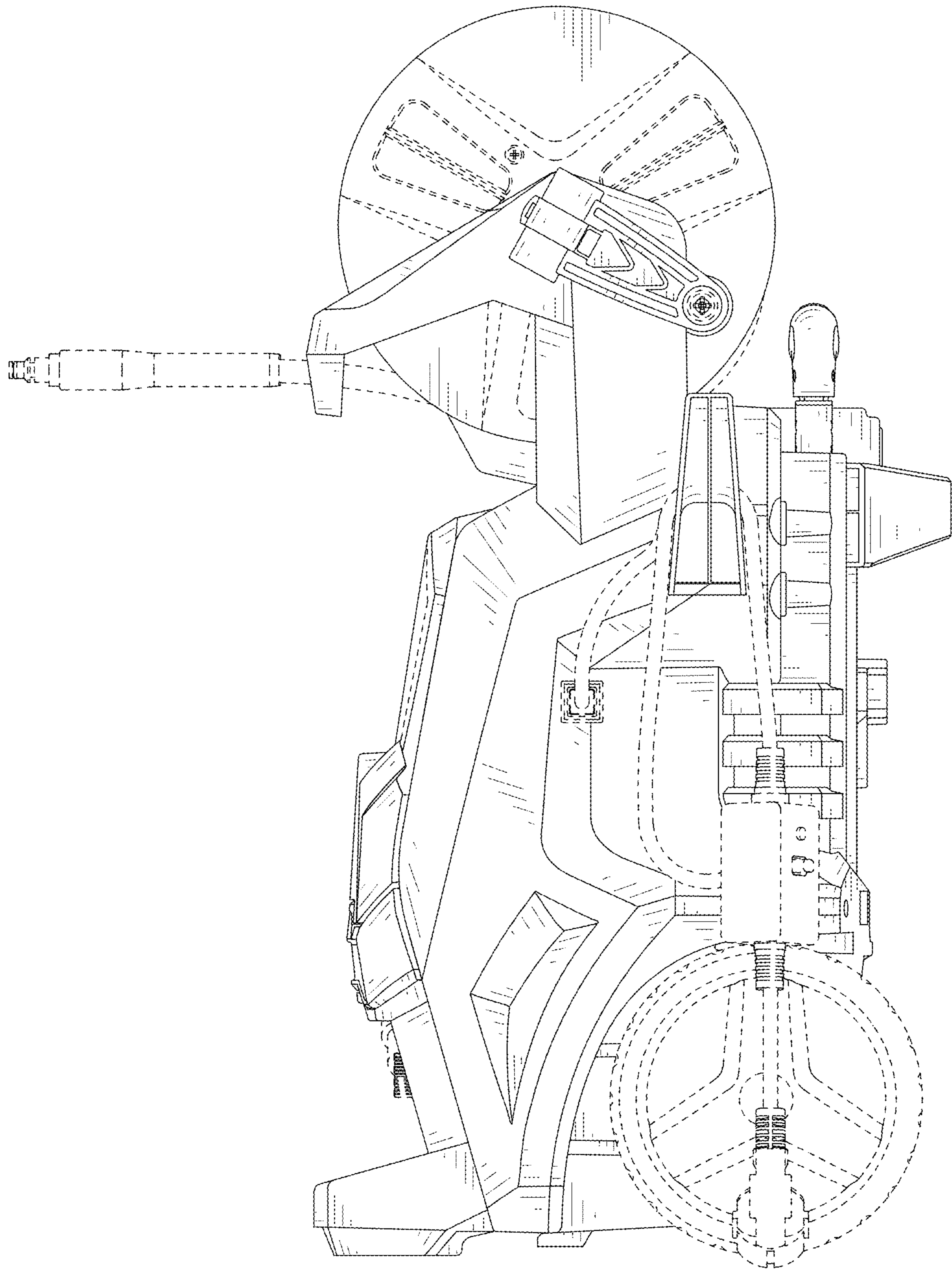


FIG. 6



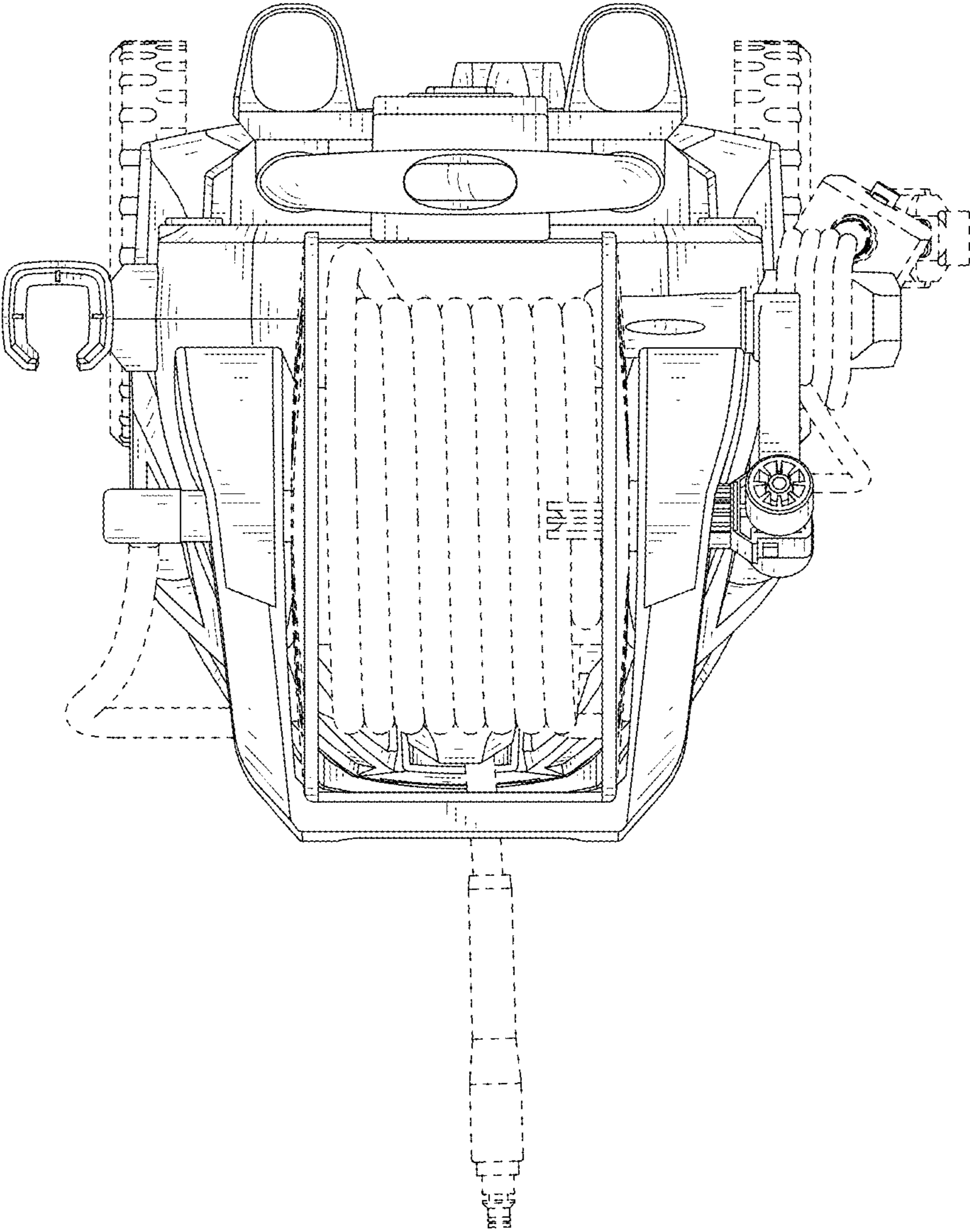


FIG. 7

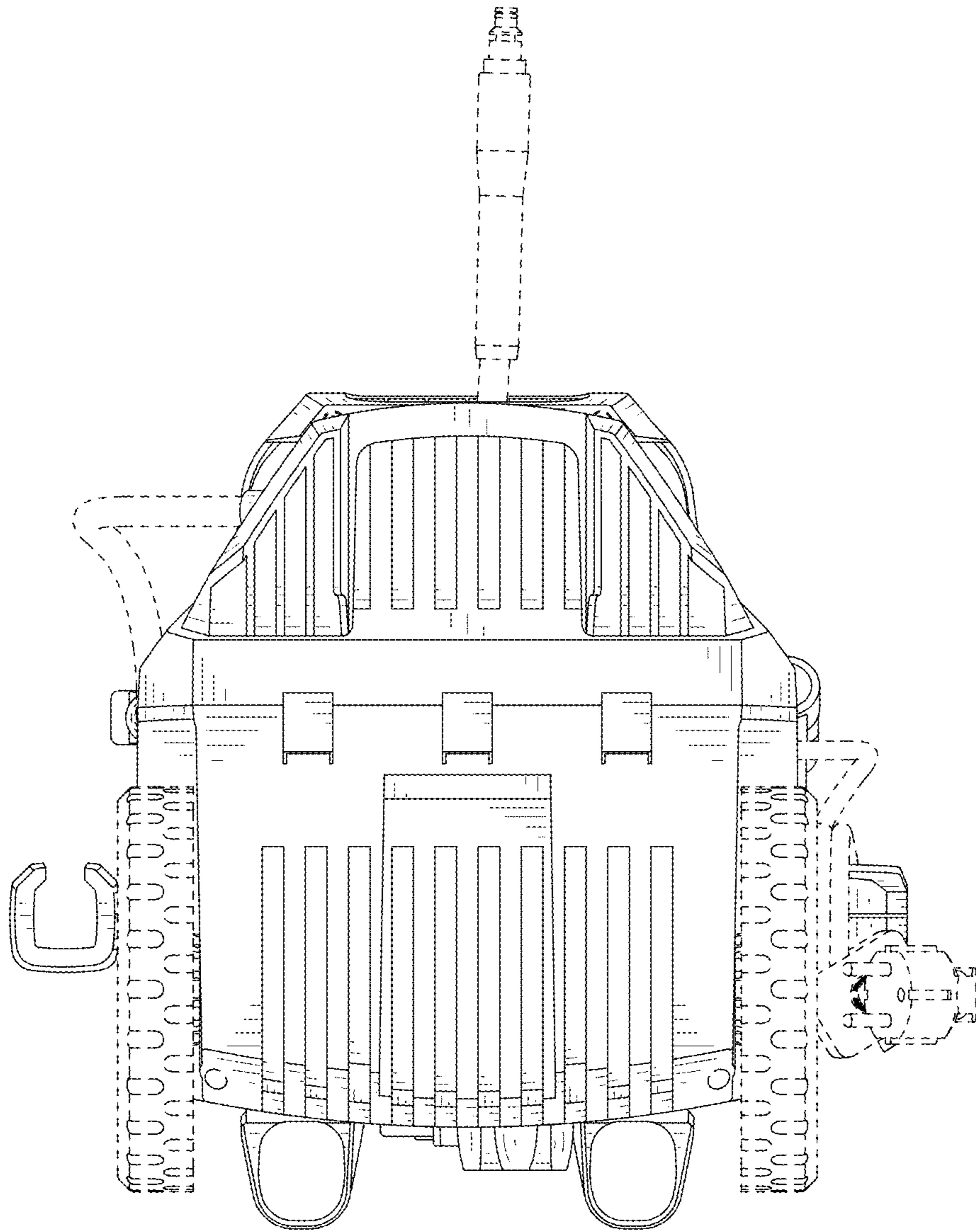


FIG. 8