



US00D932716S

(12) **United States Design Patent**  
**Duan et al.**

(10) **Patent No.:** **US D932,716 S**  
(45) **Date of Patent:** **\*\* Oct. 5, 2021**

(54) **HIGH-PRESSURE CLEANER**  
(71) Applicant: **Aukey Technology Co., Ltd**, Shenzhen (CN)  
(72) Inventors: **Bingkun Duan**, Shenzhen (CN); **Mingkai Li**, Shenzhen (CN); **Bo Du**, Shenzhen (CN); **Huiyue Ze**, Shenzhen (CN)

D499,848 S \* 12/2004 Leasure ..... D32/15  
6,857,444 B2 \* 2/2005 Davis ..... B08B 3/026  
137/115.06  
6,935,642 B1 \* 8/2005 Craig ..... B08B 3/026  
280/47.24  
D529,670 S \* 10/2006 Hendy ..... D32/15  
D531,767 S \* 11/2006 Hastie ..... D32/15  
D532,942 S \* 11/2006 Busschaert ..... D32/15

(Continued)

(73) Assignee: **Aukey Technology Co., Ltd**, Shenzhen (CN)

(\*\*) Term: **15 Years**

(21) Appl. No.: **29/729,241**

(22) Filed: **Mar. 25, 2020**

(51) **LOC (13) Cl.** ..... **15-05**

(52) **U.S. Cl.**  
USPC ..... **D32/15**

(58) **Field of Classification Search**  
USPC ..... D15/9; D32/1, 15, 16, 25  
CPC ..... B05B 9/0855; B05B 9/007; B05B 5/085;  
F04B 17/06; B08B 3/026; B08B 3/024;  
B62B 5/065; B05D 1/02  
See application file for complete search history.

(56) **References Cited**

**U.S. PATENT DOCUMENTS**

3,940,065 A \* 2/1976 Ware ..... B05B 5/085  
239/146  
D375,590 S \* 11/1996 Steinhart ..... D32/15  
D375,591 S \* 11/1996 Fryoux ..... D32/15  
D458,423 S \* 6/2002 Rehkugler ..... D32/1  
D463,888 S \* 10/2002 Rehkugler ..... B08B 3/026  
D32/1  
D467,692 S \* 12/2002 Morgan ..... D32/15  
6,695,235 B2 \* 2/2004 Faller ..... B08B 3/026  
239/722  
6,779,987 B2 \* 8/2004 Dexter ..... B08B 3/026  
417/299

**OTHER PUBLICATIONS**

<https://www.amazon.com/dp/B00U77BYF6?tag=pressurewashr1-20> (Year: 2017).\*

(Continued)

*Primary Examiner* — Michelle E. Wilson  
*Assistant Examiner* — Richard E Yenchesky  
(74) *Attorney, Agent, or Firm* — Westbridge IP LLC

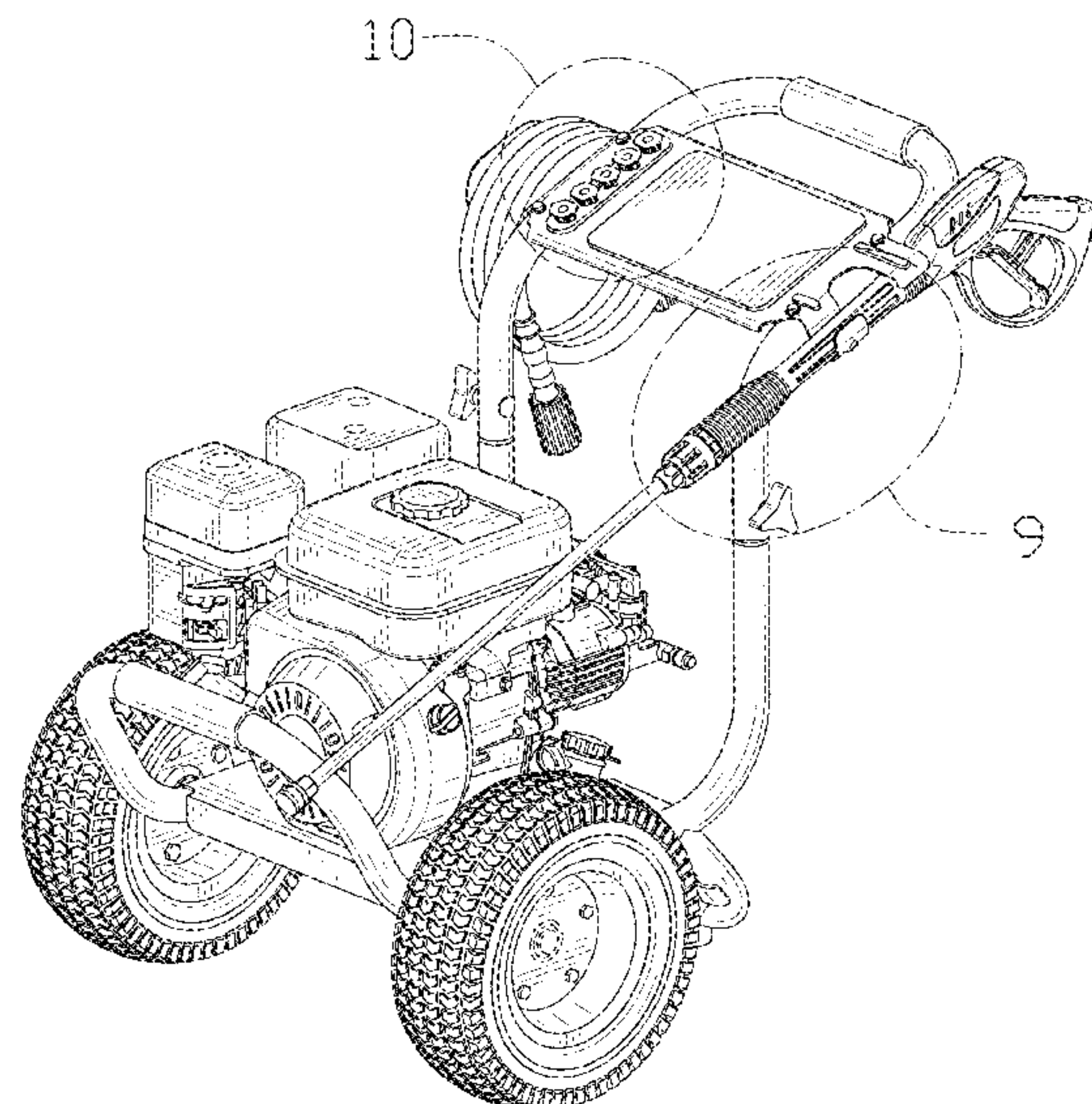
(57) **CLAIM**

The ornamental design for a high-pressure cleaner, as shown and described.

**DESCRIPTION**

FIG. 1 is a front perspective view of a high-pressure cleaner showing our new design;  
FIG. 2 is a rear perspective view thereof;  
FIG. 3 is a front elevational view thereof;  
FIG. 4 is a rear elevational view thereof;  
FIG. 5 is a left side view thereof;  
FIG. 6 is a right side view thereof;  
FIG. 7 is a top plan view thereof;  
FIG. 8 is a bottom plan view thereof;  
FIG. 9 is an enlarged view of portion 9 of FIG. 1;  
FIG. 10 is an enlarged view of portion 10 of FIG. 1; and,  
FIG. 11 is an enlarged view of portion 11 of FIG. 2.  
The broken lines in the drawings illustrate the portions of the high-pressure cleaner which form no part of the claimed design.

**1 Claim, 11 Drawing Sheets**



(56)

**References Cited**

U.S. PATENT DOCUMENTS

7,316,286 B2 \* 1/2008 Hillary ..... B05B 9/0855  
 180/291  
 7,562,780 B2 \* 7/2009 Gilpatrick ..... B08B 3/026  
 211/70.6  
 D648,082 S \* 11/2011 Alexander ..... D32/15  
 D702,900 S \* 4/2014 Kahan ..... D32/16  
 D737,528 S \* 8/2015 Dammkoehler ..... D32/25  
 D778,011 S \* 1/2017 Alexander ..... D32/16  
 D779,744 S \* 2/2017 Weinberg ..... D32/16  
 D779,745 S \* 2/2017 Weinberg ..... D32/16  
 D779,746 S \* 2/2017 Weinberg ..... D32/16  
 D804,750 S \* 12/2017 Janik ..... D32/16  
 D809,721 S \* 2/2018 Venard ..... D32/15  
 D834,269 S \* 11/2018 Masters ..... D32/15  
 D836,272 S \* 12/2018 Janik ..... D32/15  
 D839,512 S \* 1/2019 Bearup ..... D32/25  
 D876,485 S \* 2/2020 Pauly ..... D15/9  
 D901,799 S \* 11/2020 Stariha ..... D32/25  
 10,835,933 B2 \* 11/2020 Luby ..... F04B 17/06  
 10,888,887 B2 \* 1/2021 Masters ..... B05B 9/007  
 D919,909 S \* 5/2021 Tschopp ..... D32/15

2005/0145270 A1 \* 7/2005 Ray ..... B05B 9/007  
 134/174  
 2006/0102745 A1 \* 5/2006 Dexter ..... B05B 9/0855  
 239/146  
 2007/0186813 A1 \* 8/2007 Smith ..... B05D 1/02  
 106/281.1  
 2012/0234938 A1 \* 9/2012 Bearup ..... B05B 9/007  
 239/147  
 2012/0234939 A1 \* 9/2012 Bearup ..... B08B 3/026  
 239/147  
 2013/0263394 A1 \* 10/2013 Larimore ..... B08B 3/024  
 15/21.1  
 2013/0270359 A1 \* 10/2013 Saxton ..... B62B 5/065  
 239/146

OTHER PUBLICATIONS

Petrol power pressure washer <https://www.machinemart.co.uk/p/v-tuf-dd080-8hp-honda-powered-petrol-pressure/> (Year: 2021).\*  
 Megashot <https://www.samsclub.com/p/megashot-3400psi-gpm-kohler-sh270-cold-water-pressure-washer/prod25370838> (Year: 2021).\*

\* cited by examiner



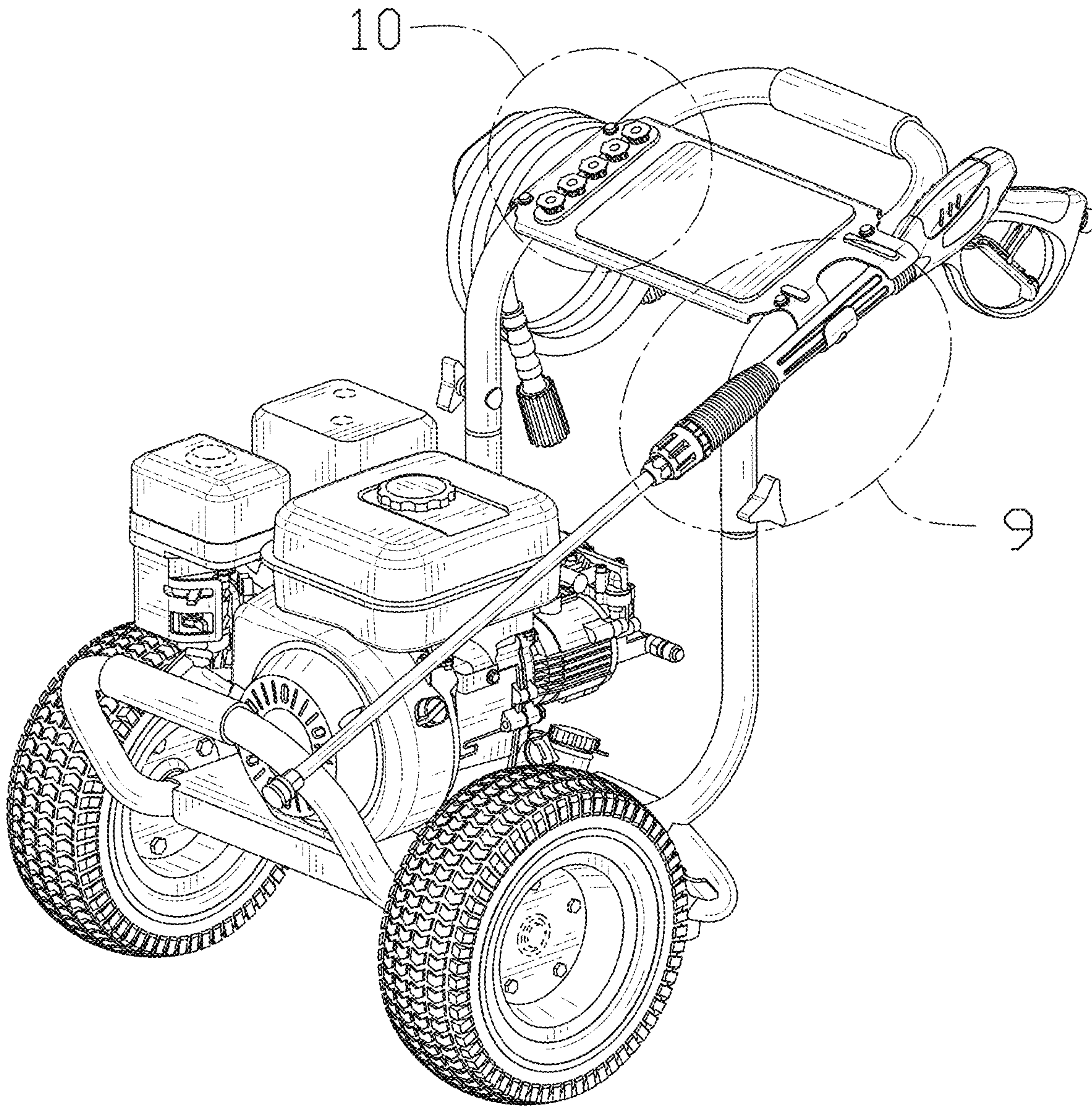


FIG. 1



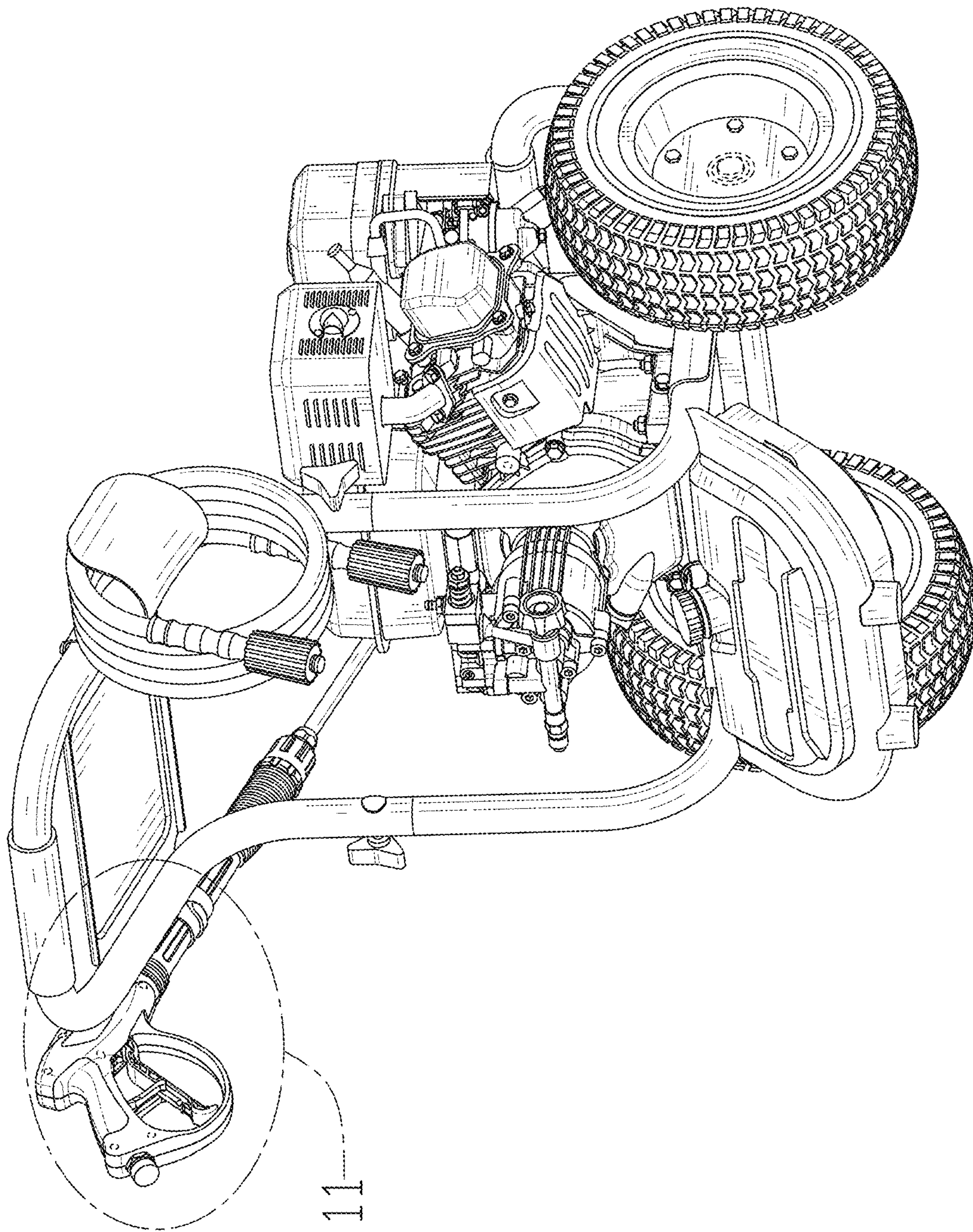


FIG. 2

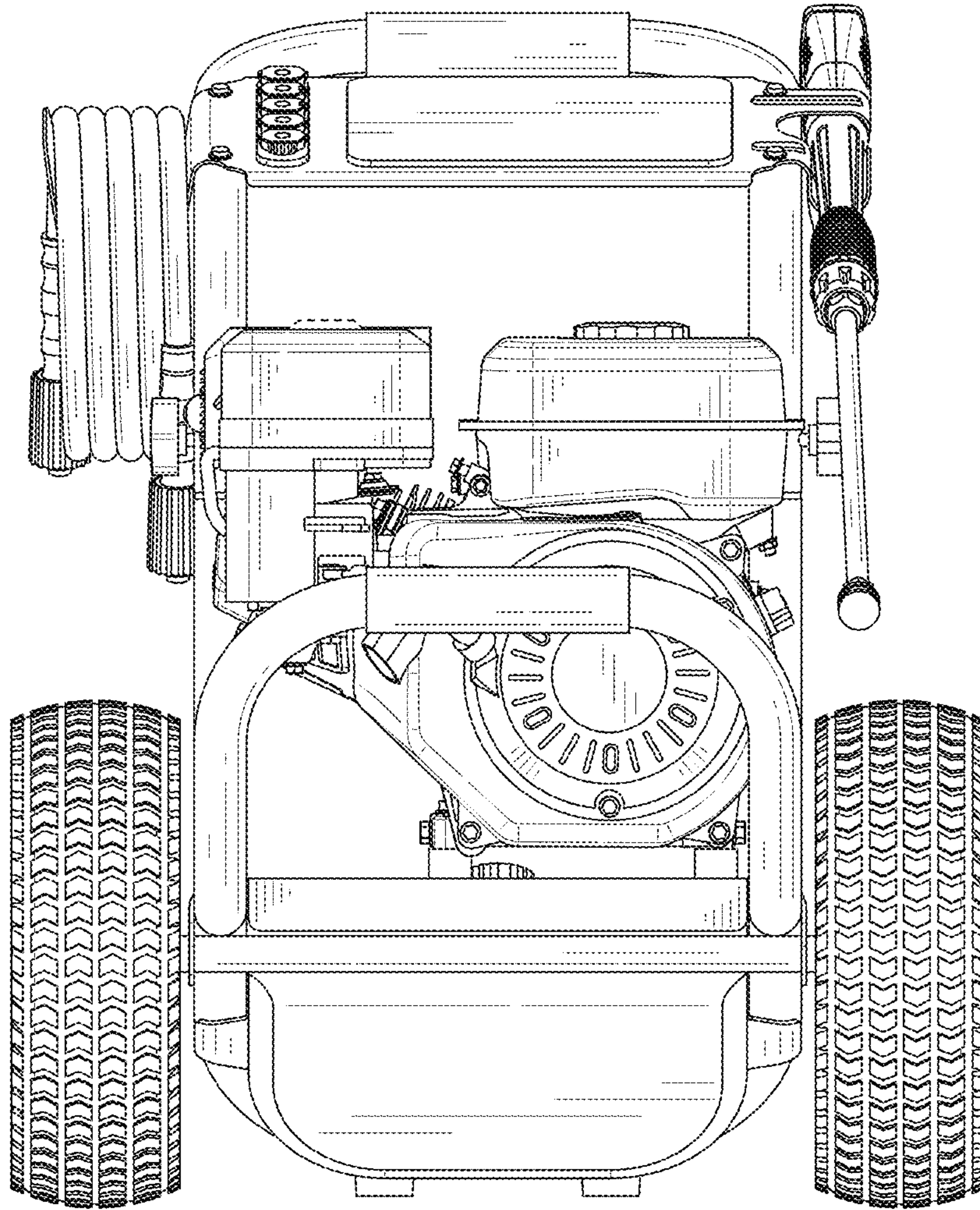


FIG. 3



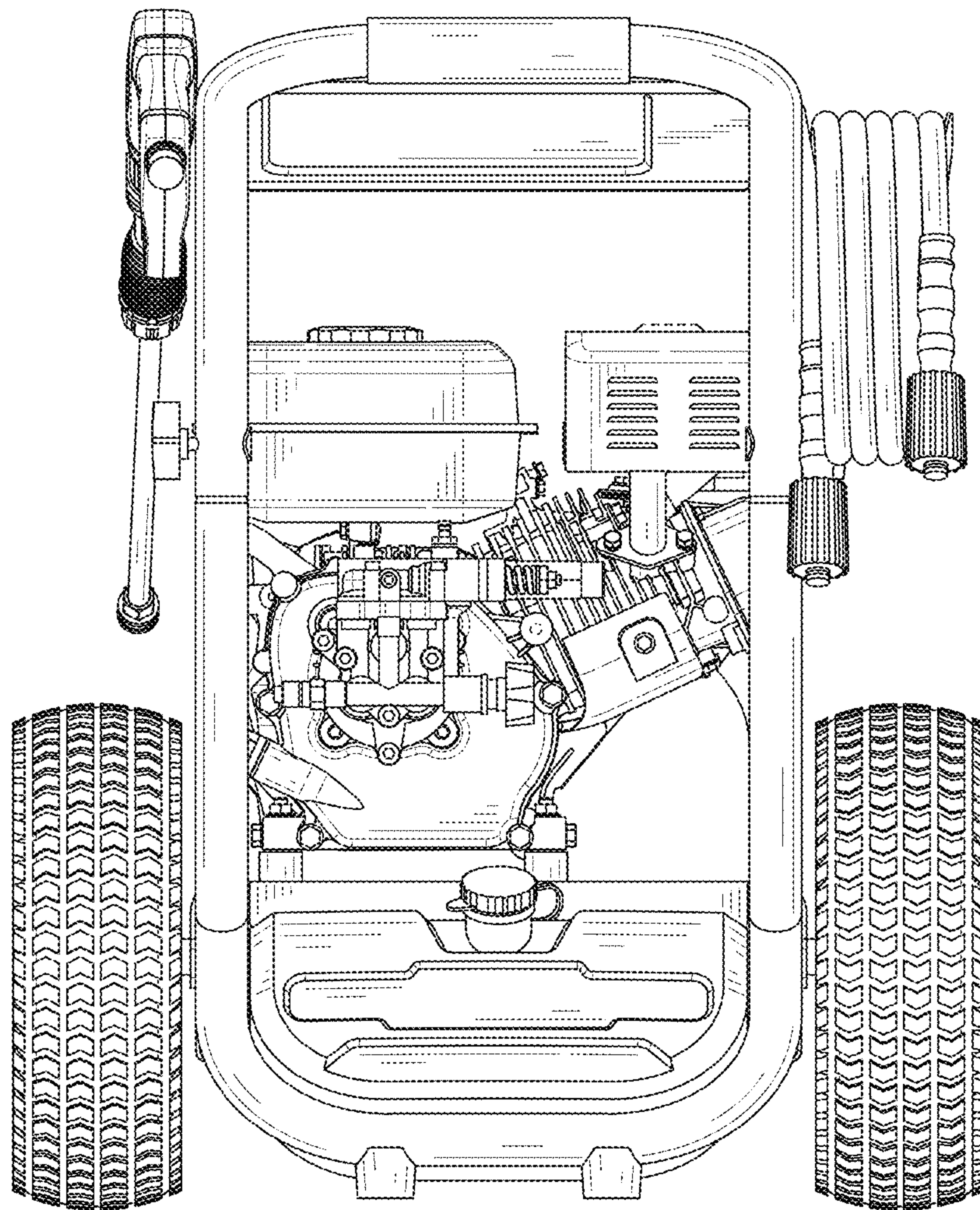


FIG. 4

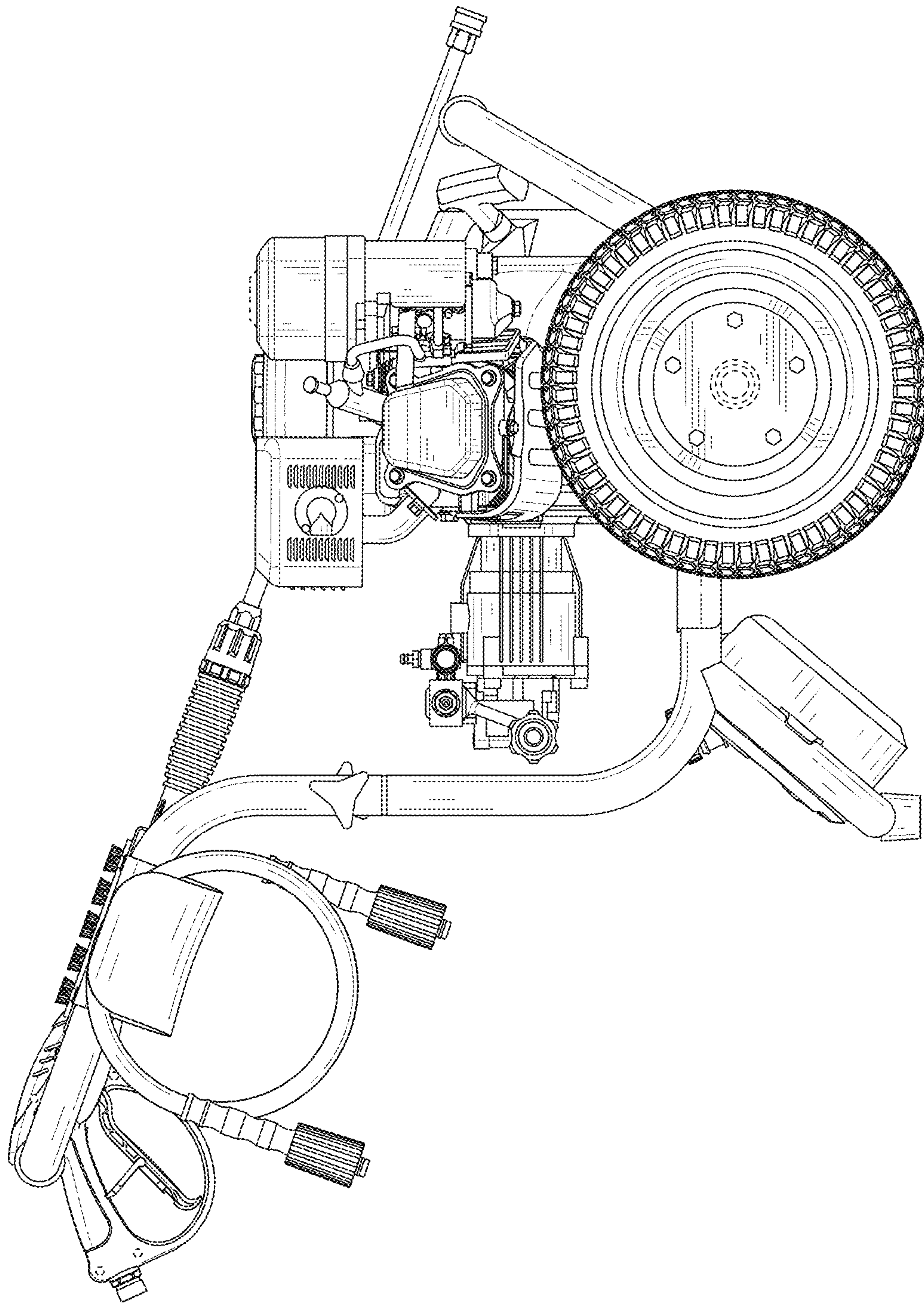


FIG. 5



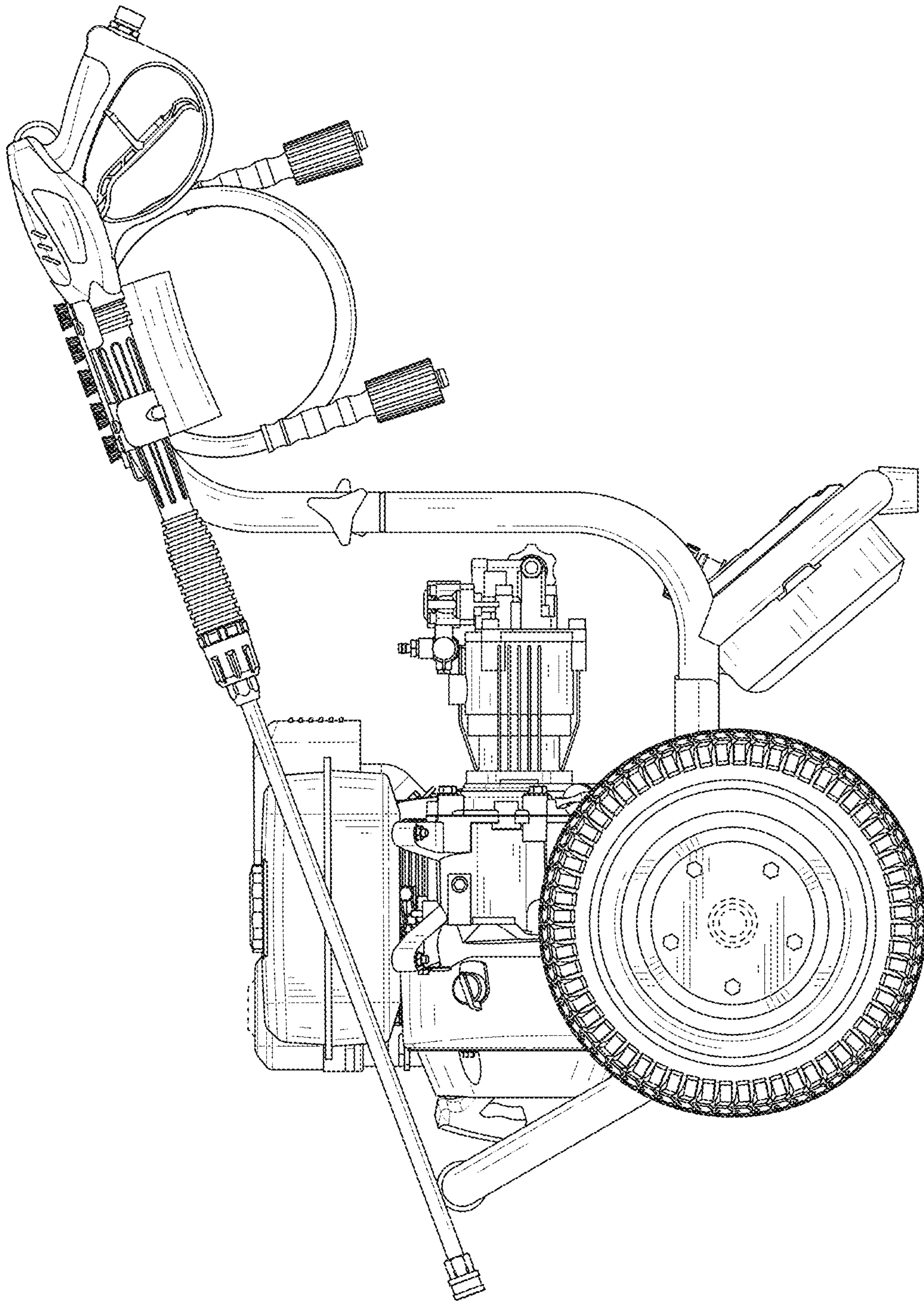


FIG. 6



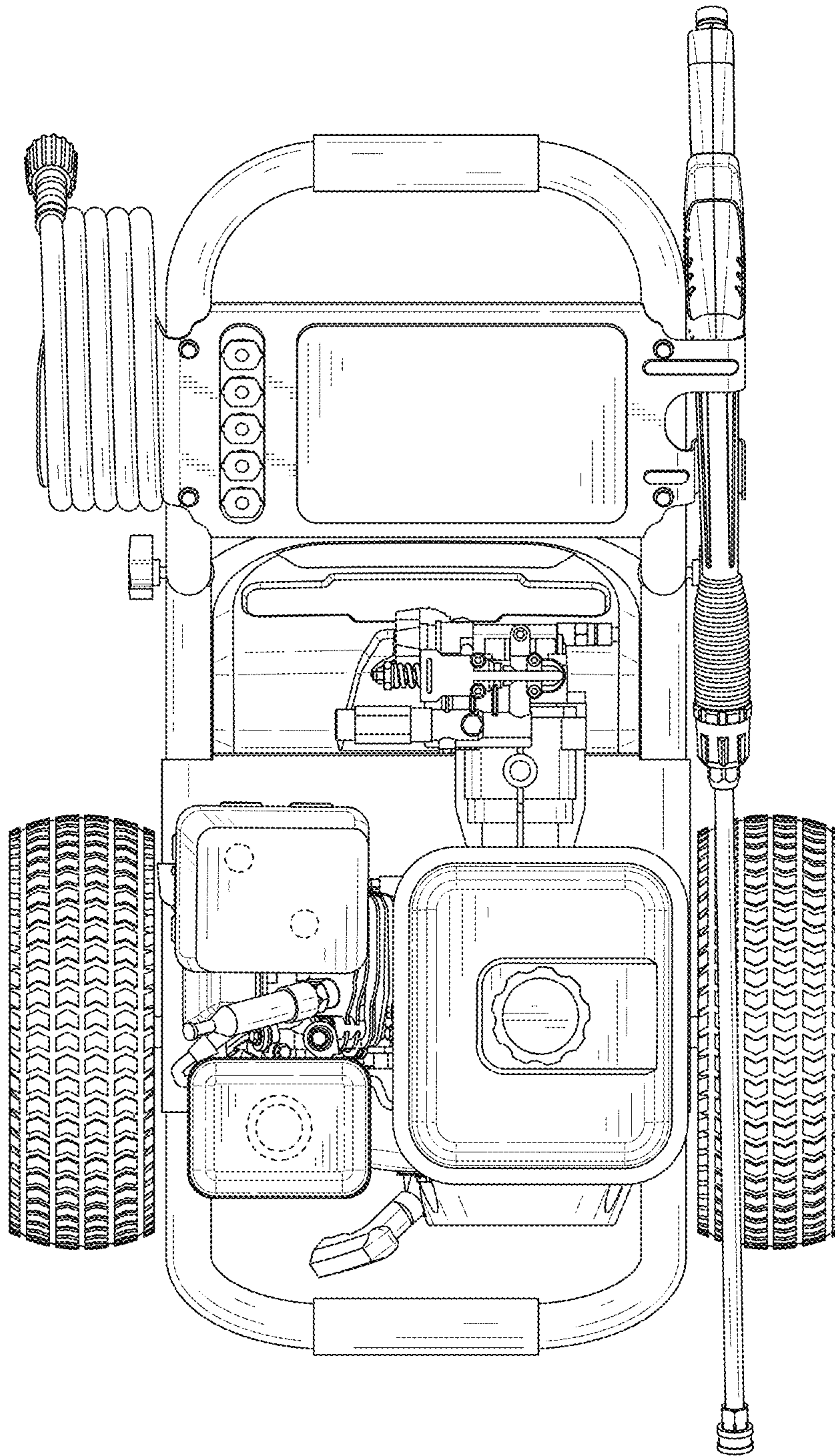


FIG. 7

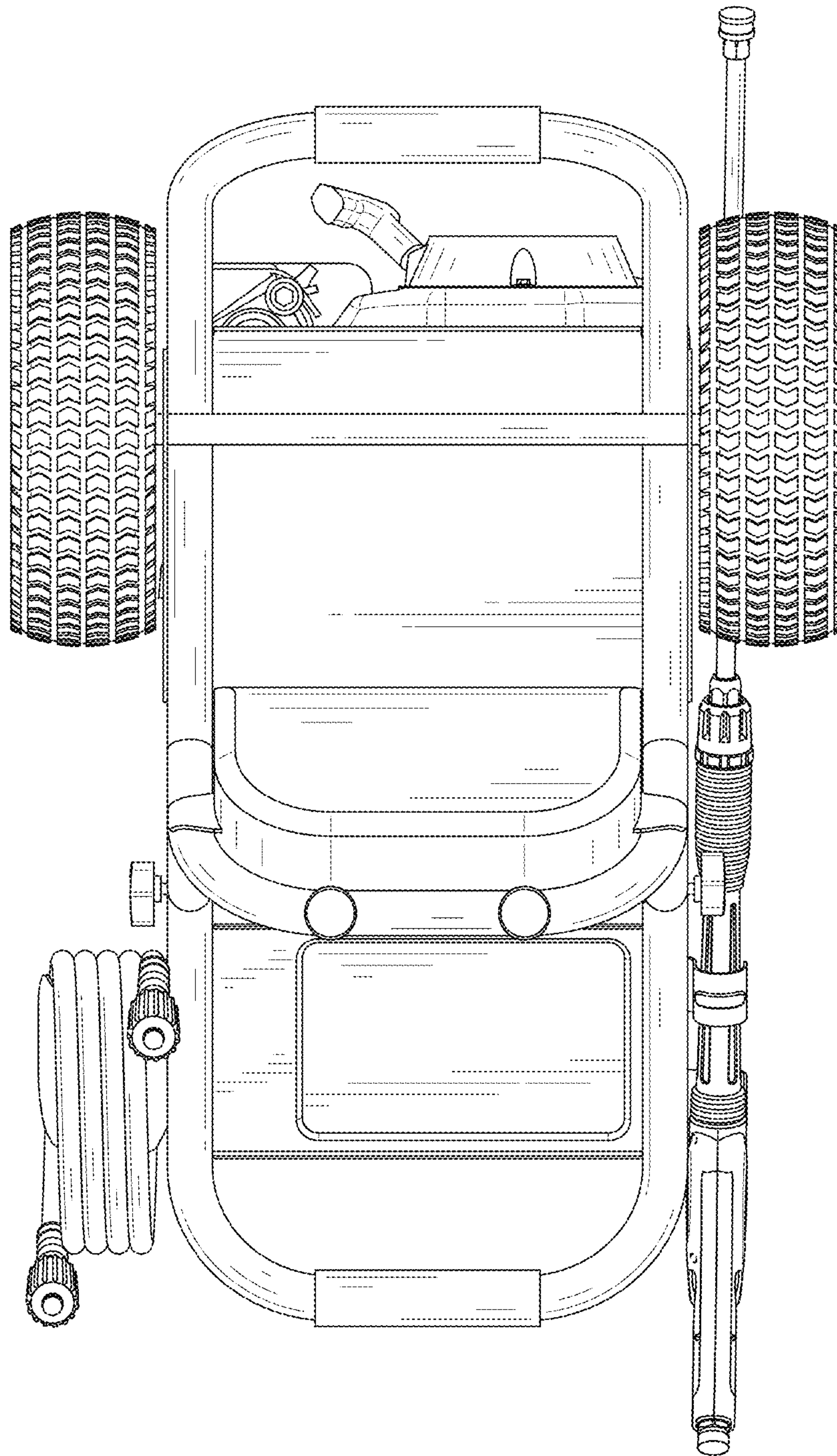


FIG. 8



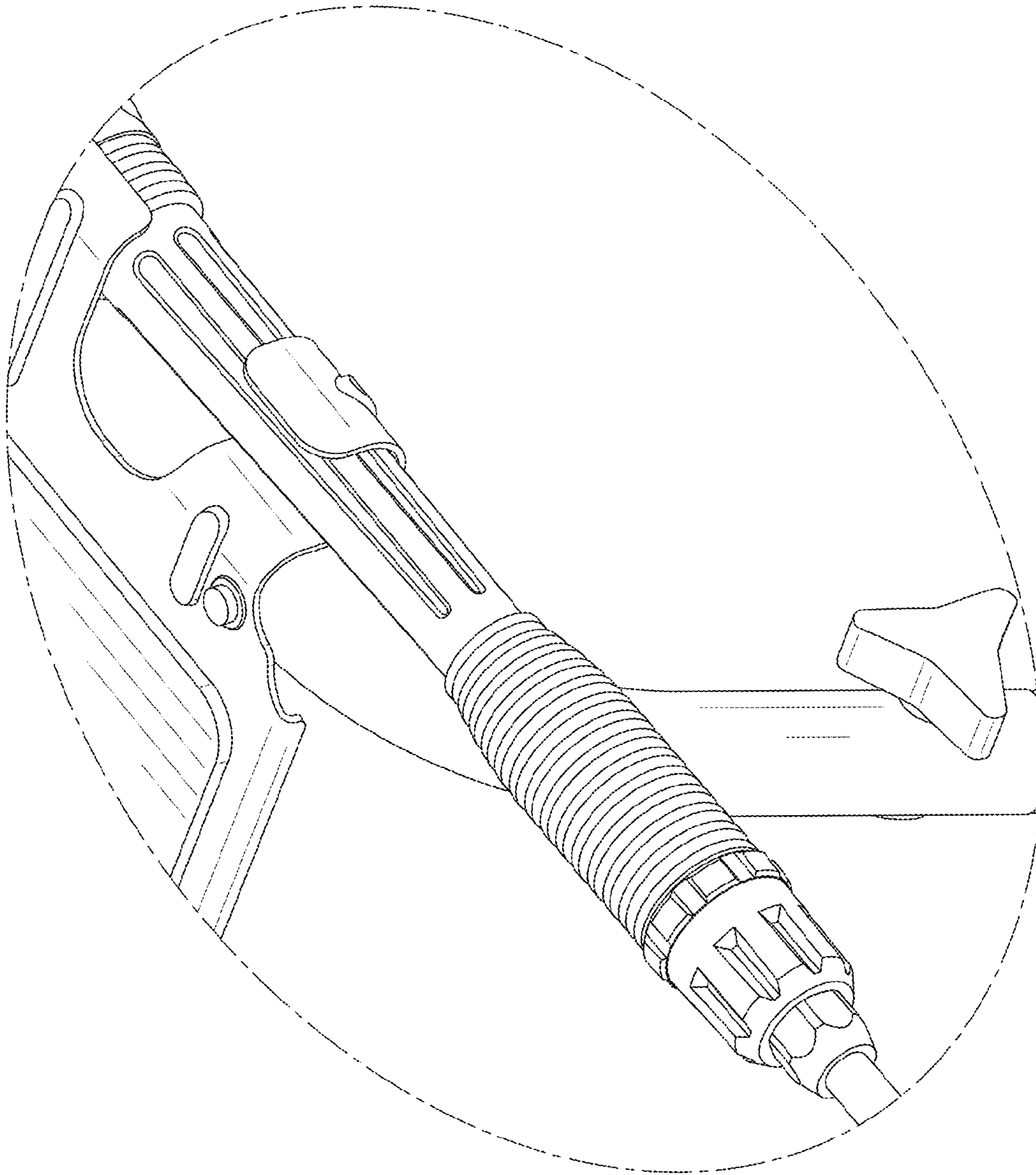


FIG. 9

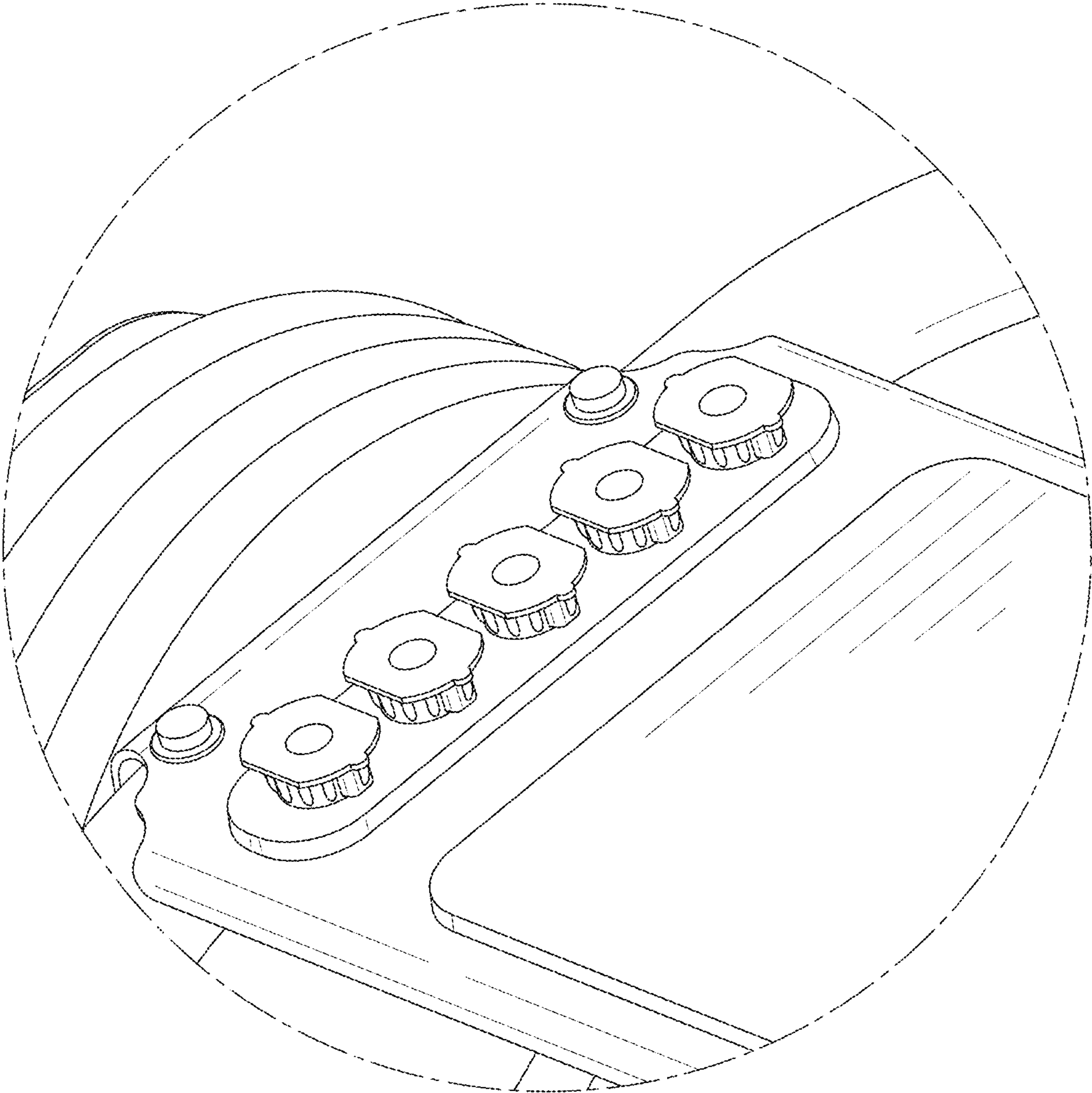


FIG. 10



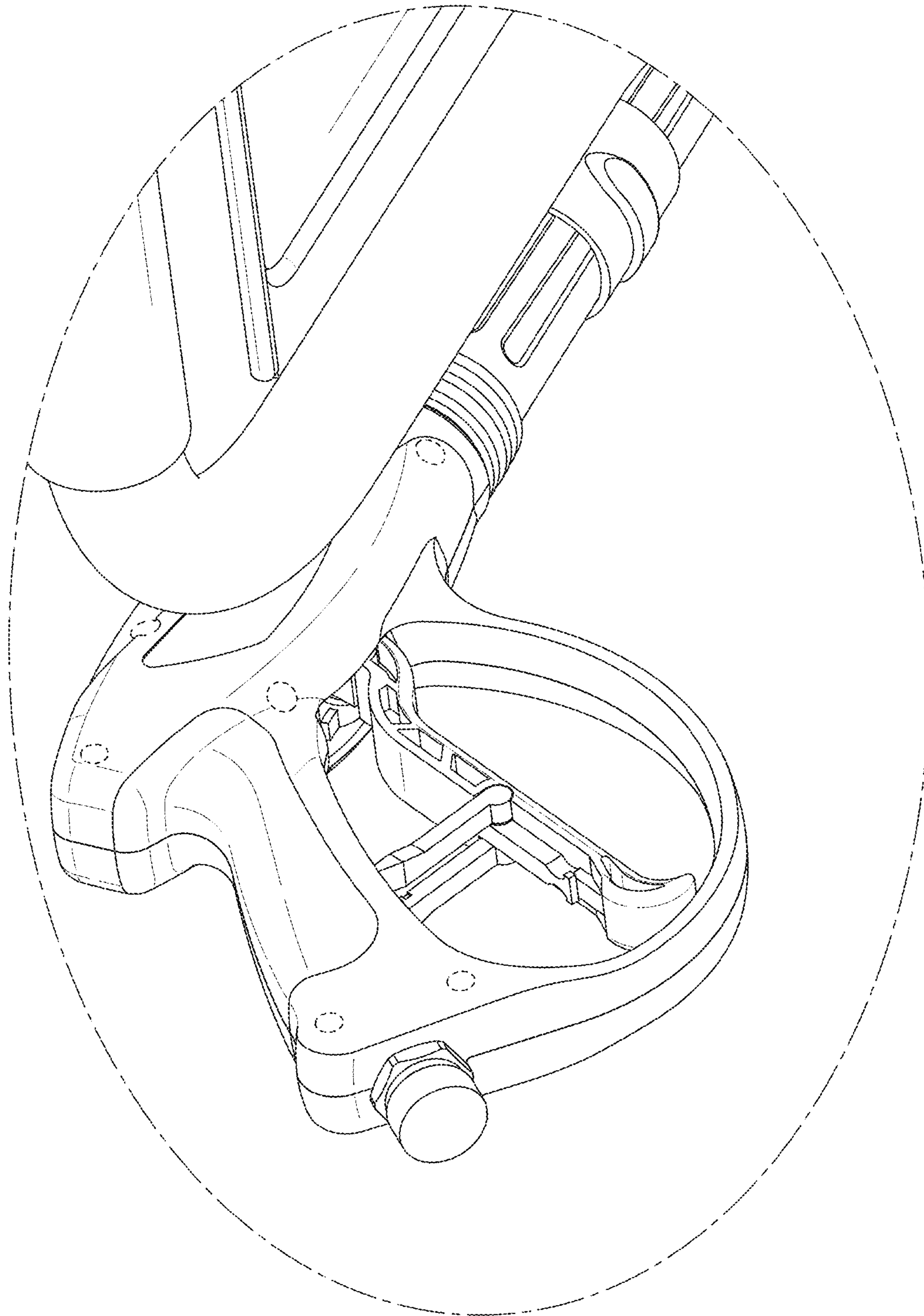


FIG. 11