



US00D932709S

(12) **United States Design Patent** (10) **Patent No.:** **US D932,709 S**
Xu (45) **Date of Patent:** **** Oct. 5, 2021**

(54) **PASSIVE SHOOTING EARMUFFS**
(71) Applicant: **Hanwen Xu**, Shangrao (CN)
(72) Inventor: **Hanwen Xu**, Shangrao (CN)
(**) Term: **15 Years**
(21) Appl. No.: **29/752,320**
(22) Filed: **Sep. 26, 2020**
(51) **LOC (13) Cl.** **29-02**
(52) **U.S. Cl.**
USPC **D29/112; D14/205**
(58) **Field of Classification Search**
USPC D29/100, 102, 105, 106, 108, 112, 122;
D14/205, 206, 223
CPC A42B 3/16; A42B 3/163; A42B 3/166;
A61F 11/06; A61F 11/08; A61F 11/10;
A61F 11/12; A61F 11/14; A61F
2011/085; H04R 1/10; H04R 1/1008;
H04R 1/1016; H04R 1/105; H04R
1/1058; H04R 1/1066; H04R 1/1075;
H04R 1/1083; H04R 5/0335; H04R
25/652; H04R 25/654; H04R 25/656;
A63B 71/10
See application file for complete search history.

(56) **References Cited**
U.S. PATENT DOCUMENTS
2,883,671 A * 4/1959 Hornickel A61F 11/14
2/209
3,085,253 A * 4/1963 Ulrich A61F 11/14
2/209
D235,210 S * 5/1975 Hill D14/205
D298,670 S * 11/1988 Palmaer D14/205
D336,647 S * 6/1993 Yamazaki D14/205
D413,413 S * 8/1999 Dillon D29/112
D434,191 S * 11/2000 Emilsson D29/112
6,449,806 B1 * 9/2002 Engelhard H04M 1/05
2/209
6,456,199 B1 * 9/2002 Michael A61F 11/12
340/540
D497,608 S 10/2004 Birgersson

7,172,052 B2 * 2/2007 Lenhard-Backhaus
H04R 1/1066
181/129
D541,483 S * 4/2007 Birgersson D29/112
D641,725 S * 7/2011 Chong D14/205
D651,764 S * 1/2012 Gresko A61F 11/14
D29/112
D666,992 S * 9/2012 Lee D14/205
D678,859 S * 3/2013 Lee D14/205
D685,759 S * 7/2013 Kelly D14/205
D687,409 S * 8/2013 Lee D14/205
D690,283 S * 9/2013 Lee D14/205
D697,048 S * 1/2014 Pavitsich D14/205
(Continued)

OTHER PUBLICATIONS

Walkers GWPRSM PAS Razor Slim Passive Earmuff 27 dB
Black, <https://www.walmart.com/ip/Walkers-GWPRSM PAS-Razor-Slim-Passive-Earmuff-27-dB-Black/483051633?wmlspartner=wlp&selectedSellerId=101071638&adid=2222222222073420061&wmlspartner=wmtlabs&w10=e&w11=o&w12=c&w13=83425444900029&w14>, May 10, 2020 (Year: 2020).
(Continued)

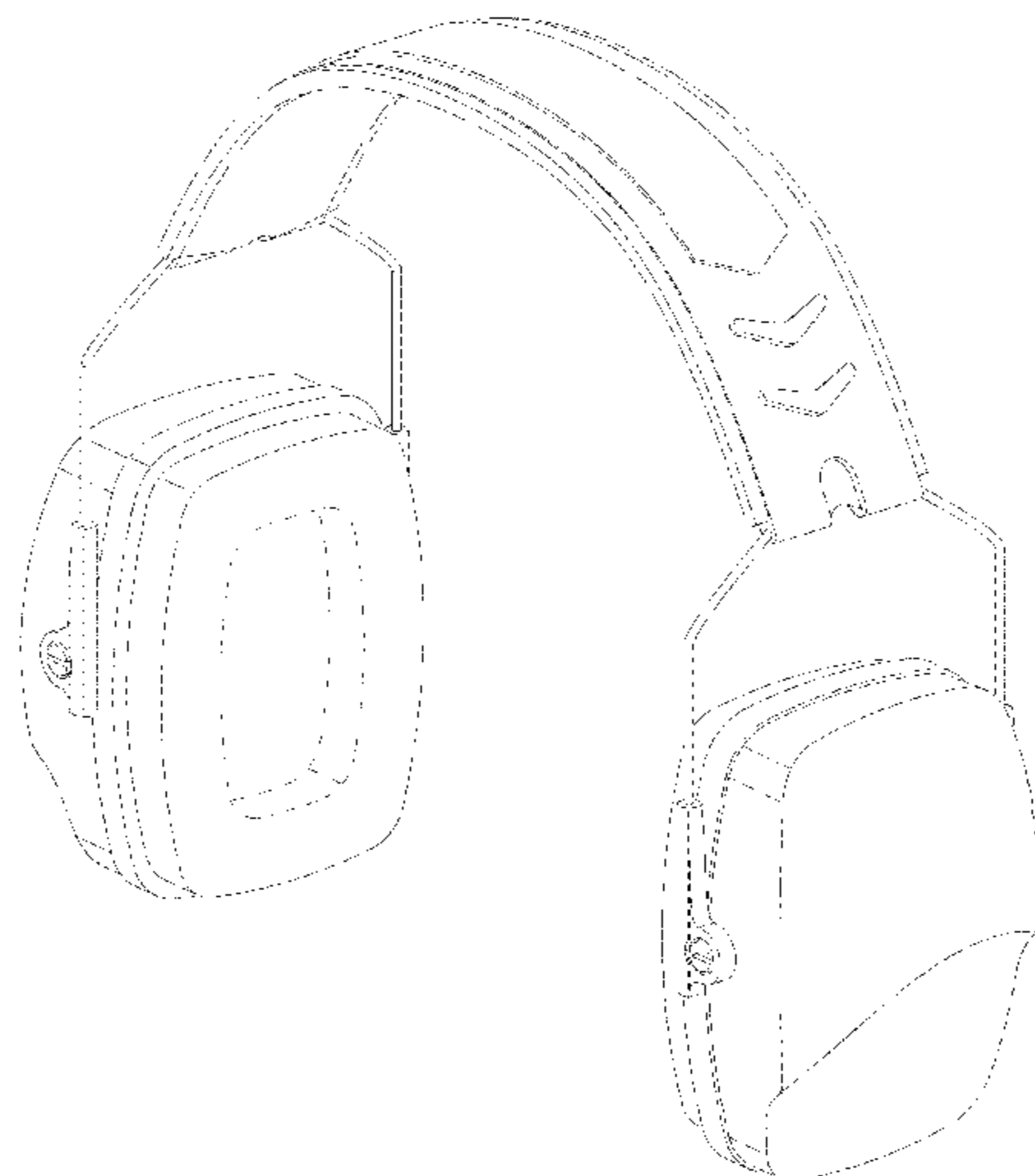
Primary Examiner — Elizabeth J Oswecki
(74) *Attorney, Agent, or Firm* — Justin Lampel

(57) **CLAIM**
The ornamental design for a passive shooting earmuffs, as shown and described.

DESCRIPTION

FIG. 1 is a perspective view of a passive shooting earmuffs showing my new design;
FIG. 2 is a top plan view thereof;
FIG. 3 is a left side elevational view thereof;
FIG. 4 is a front elevational view thereof;
FIG. 5 is a right side elevational view thereof;
FIG. 6 is a rear elevational view thereof; and,
FIG. 7 is a bottom plan view thereof.
The broken lines illustrate portions of the passive shooting earmuffs that form no part of the claimed design.

1 Claim, 7 Drawing Sheets



(56)

References Cited

U.S. PATENT DOCUMENTS

D697,897 S * 1/2014 Lee D14/205
 8,767,996 B1 * 7/2014 Lin G06F 3/165
 381/380
 D736,475 S * 8/2015 Fletcher D29/112
 D805,697 S * 12/2017 Pratley D29/112
 D830,331 S * 10/2018 Petersen D14/205
 D831,000 S * 10/2018 Chong D14/206
 D848,679 S * 5/2019 Wilson D29/112
 D851,839 S * 6/2019 Scanlon D29/112
 D864,900 S * 10/2019 Miller D14/205
 D868,732 S * 12/2019 Jaspers D14/205
 D885,683 S * 5/2020 Qiu D29/112
 D890,438 S * 7/2020 Xu D29/112
 D901,435 S * 11/2020 Petersen D14/205
 D909,338 S * 2/2021 Cai D14/206
 D920,585 S * 5/2021 Xu D29/112
 D921,992 S * 6/2021 Hemeyer D29/112
 2008/0069391 A1 * 3/2008 Steyn H04R 1/1083
 381/371

2013/0340769 A1 * 12/2013 Roos A61F 11/14
 128/866
 2019/0314207 A1 * 10/2019 Bui A61F 11/14
 2020/0396532 A1 * 12/2020 Bui A61F 11/14

OTHER PUBLICATIONS

Howard Leight—R-02232 Impact Sport Bolt Digital Electronic Shooting Earmuff, Gray,https://www.amazon.com/Howard-Leight-Digital-Electronic-Shooting/dp/B06VWM97KK/ref=asc_df_B06VWM97KK?tag=bingshoppinga-20&linkCode=df0&hvadid=80058245653001&hvnetw=o&hvqmt=e&hvbmt, Feb. 16, 2017. (Year: 2017).*
 Walkers Muff Shooting Passive—W/glasses&plugs 31db Black,https://gearoutland.com/walkers-muff-shooting-passive-w-glasses-plugs-31db-black/?utm_source=bing&utm_medium=cpc&utm_campaign=BPA%20-%20Items%20-%20C%3A50&utm_term=4587574832617451&utm_content=BPA%20Item%20-%20C%3A50%7CHunting, copyright 2021 (Year: 2021).*

* cited by examiner

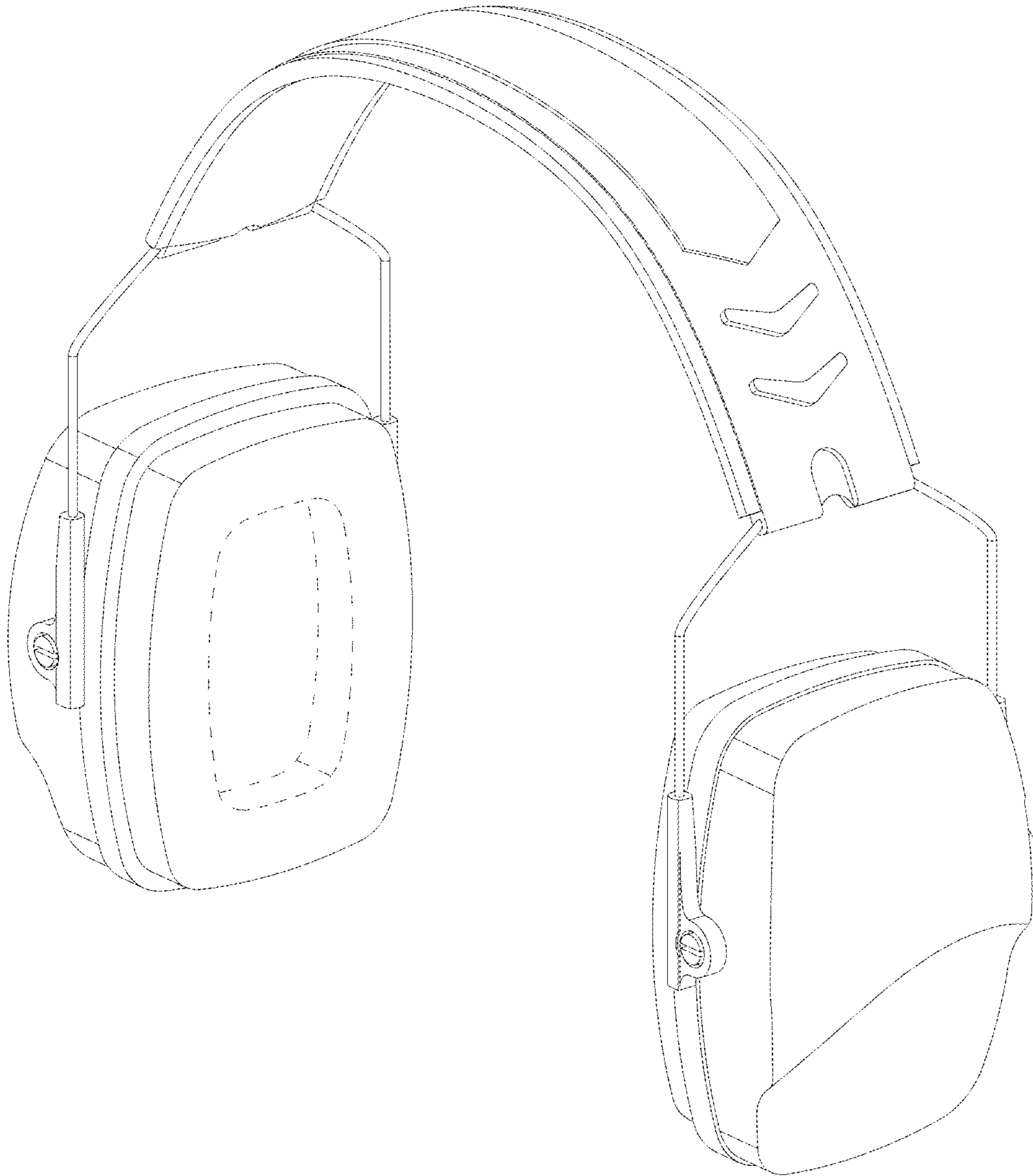


FIG.1



FIG. 2

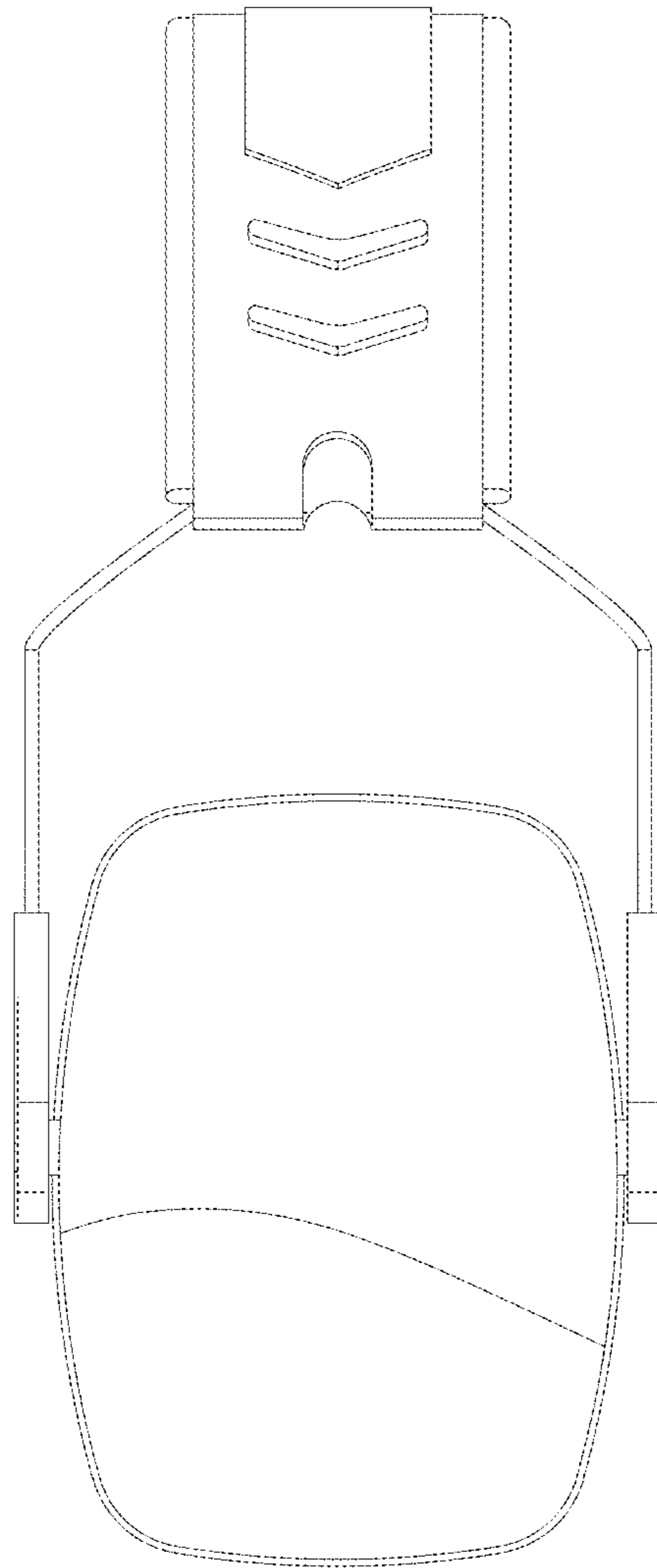


FIG.3

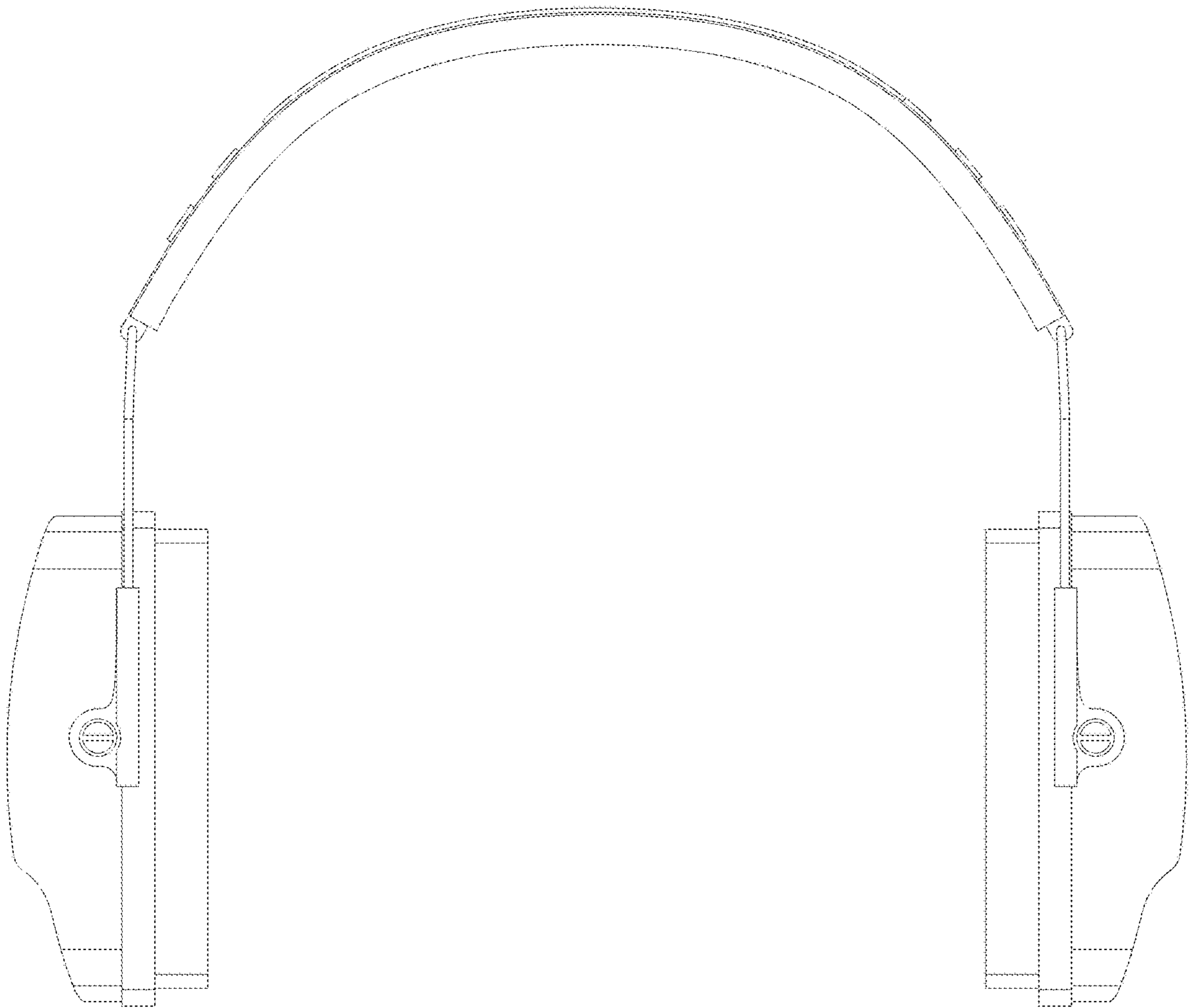


FIG.4

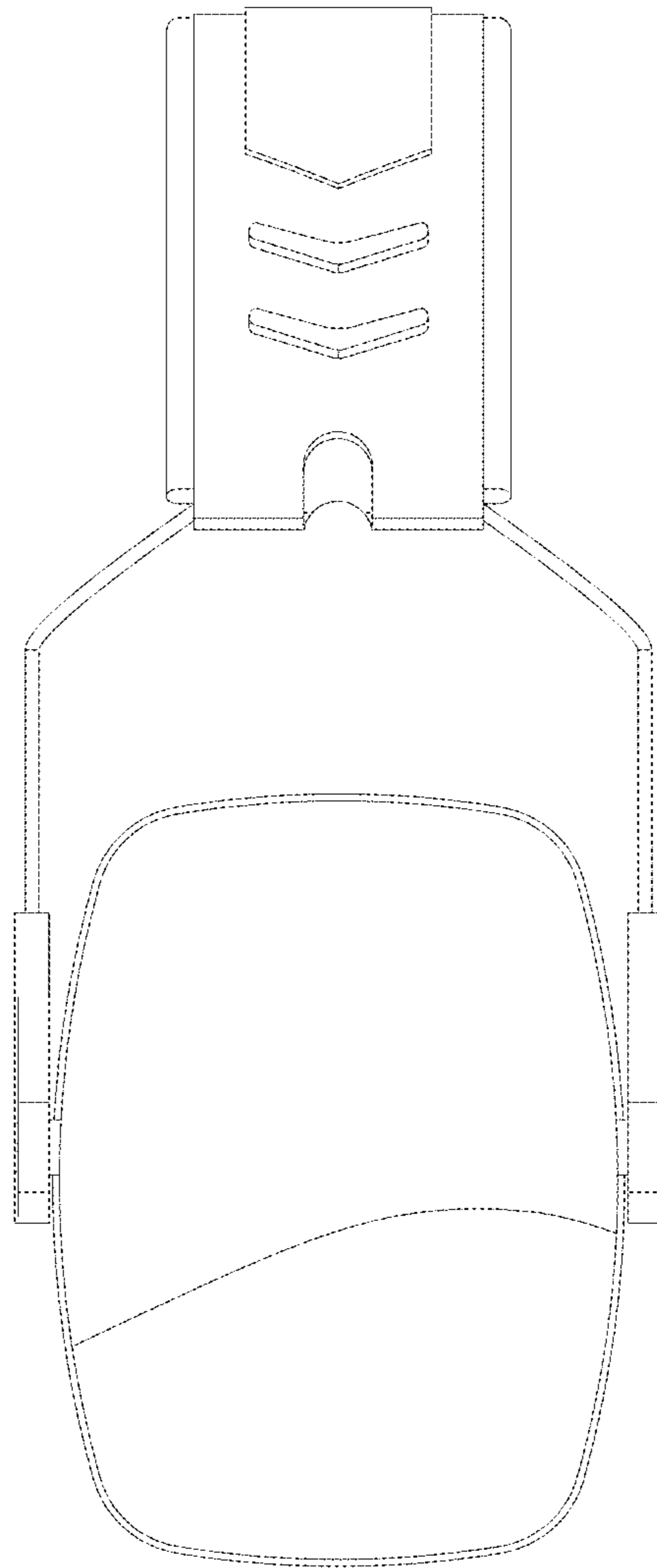


FIG. 5

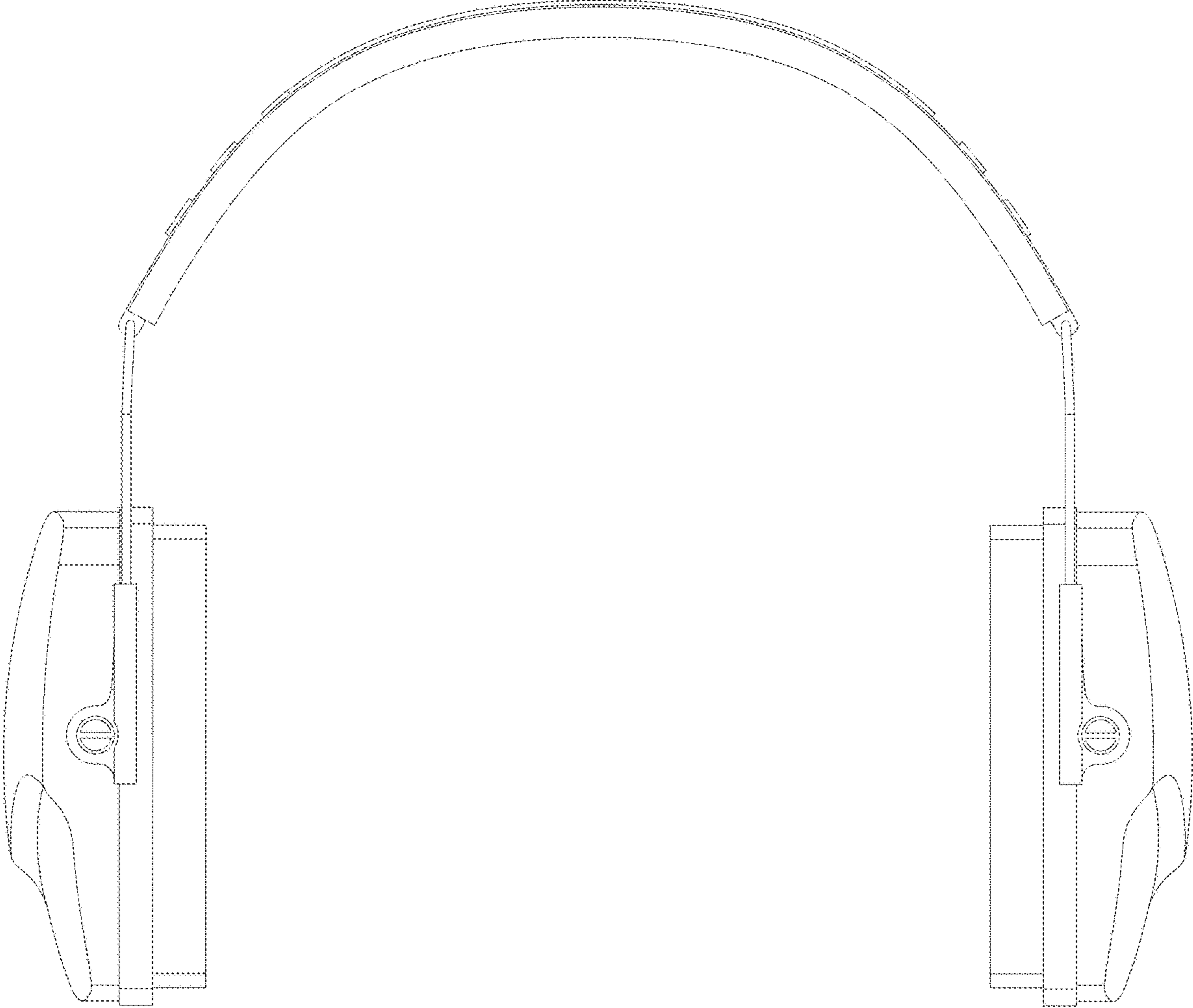


FIG. 6



FIG. 7