

US00D932705S

(12) **United States Design Patent** (10) **Patent No.:** **US D932,705 S**
Kikuchi (45) **Date of Patent:** **** Oct. 5, 2021**

(54) **LIPSTICK CASE**
(71) Applicant: **Taisuke Kikuchi**, Tokyo (JP)
(72) Inventor: **Taisuke Kikuchi**, Tokyo (JP)
(**) Term: **15 Years**

D422,505 S * 4/2000 Gavin D9/529
D432,724 S * 10/2000 Gavin D28/85
D471,324 S * 3/2003 Kalin D28/77
D501,279 S * 1/2005 Dittmer D28/85
D735,404 S * 7/2015 Gourmet D28/7
D744,167 S * 11/2015 Chertoff D28/85
D747,544 S * 1/2016 Taha D27/165

* cited by examiner

(21) Appl. No.: **29/710,930**
(22) Filed: **Oct. 28, 2019**
(51) **LOC (13) Cl.** **28-03**
(52) **U.S. Cl.**
USPC **D28/85**
(58) **Field of Classification Search**
USPC D28/7, 73, 76, 77, 85-90, 99; D9/718,
D9/725, 739, 503, 504, 516, 529, 559,
D9/560, 572-575, 681, 688
CPC A45D 33/00; A45D 33/02; A45D 33/16;
A45D 33/18; A45D 33/22; A45D 33/24;
A45D 33/26; A45D 33/28; A45D 40/00;
A45D 40/0012; A45D 40/0018; A45D
40/02; A45D 40/10; A45D 40/22; A45D
40/24

See application file for complete search history.

(56) **References Cited**

U.S. PATENT DOCUMENTS

D279,510 S * 7/1985 Kairawicz D28/85
D280,139 S * 8/1985 Bakic D28/85
D311,604 S * 10/1990 Bakic D28/85
D368,554 S * 4/1996 Fiore D28/85
5,599,124 A * 2/1997 Ackermann A45D 40/06
401/78

Primary Examiner — Jennifer Rivard
Assistant Examiner — Alison M Ofstun
(74) *Attorney, Agent, or Firm* — Manabu Kanesaka

(57) **CLAIM**

The ornamental design for a lipstick case, as shown and described.

DESCRIPTION

FIG. 1 is a perspective view of a lipstick case showing my new design;
FIG. 2 is a front view thereof, a rear view being identical to the front view;
FIG. 3 is a top plan view thereof;
FIG. 4 is a bottom plan view thereof;
FIG. 5 is a right side view thereof, left side view being identical to the right side view;
FIG. 6 is a top plan view of the main body thereof, shown with the lid removed to show aspects of the design not clearly visible when combined;
FIG. 7 is a perspective view of the main body thereof; and,
FIG. 8 is a front view of the main body thereof.
The broken lines depict portions of the lipstick case, that form no part of claimed design.

1 Claim, 2 Drawing Sheets

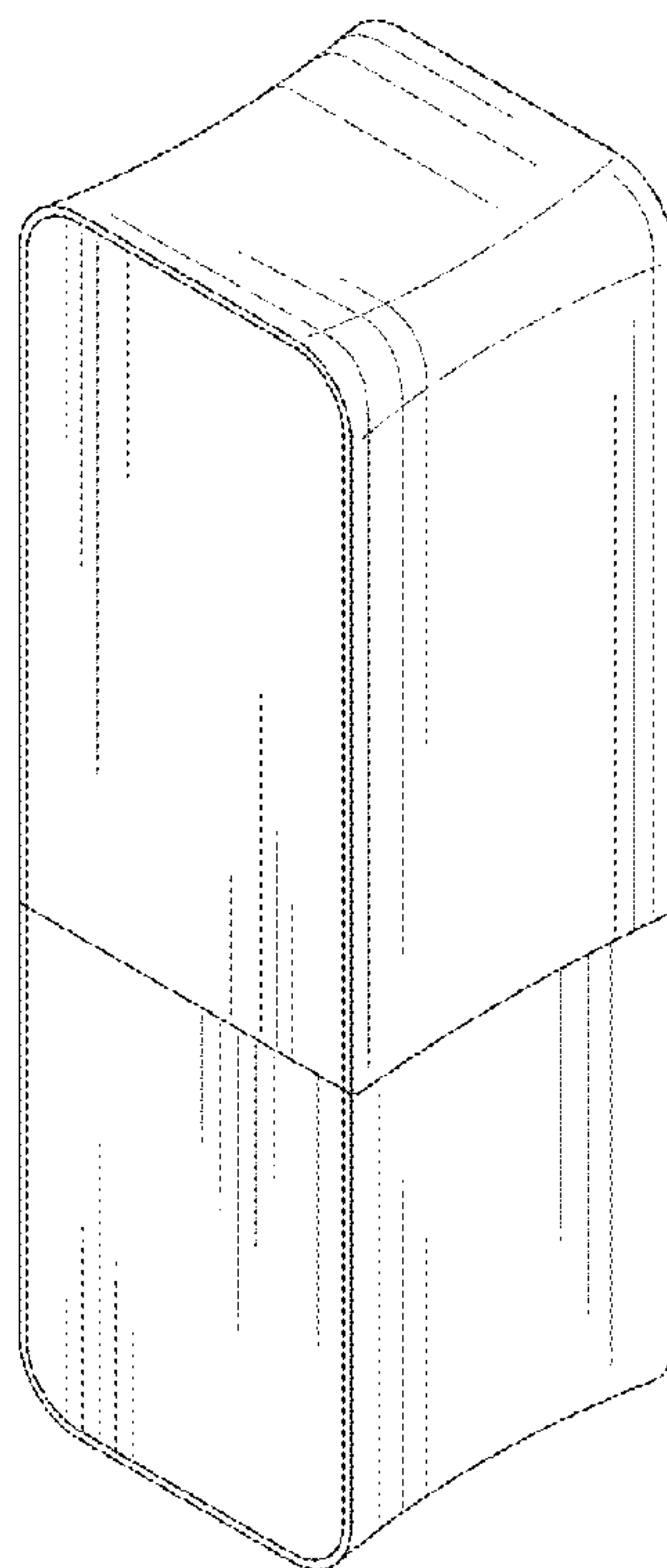


Fig.3

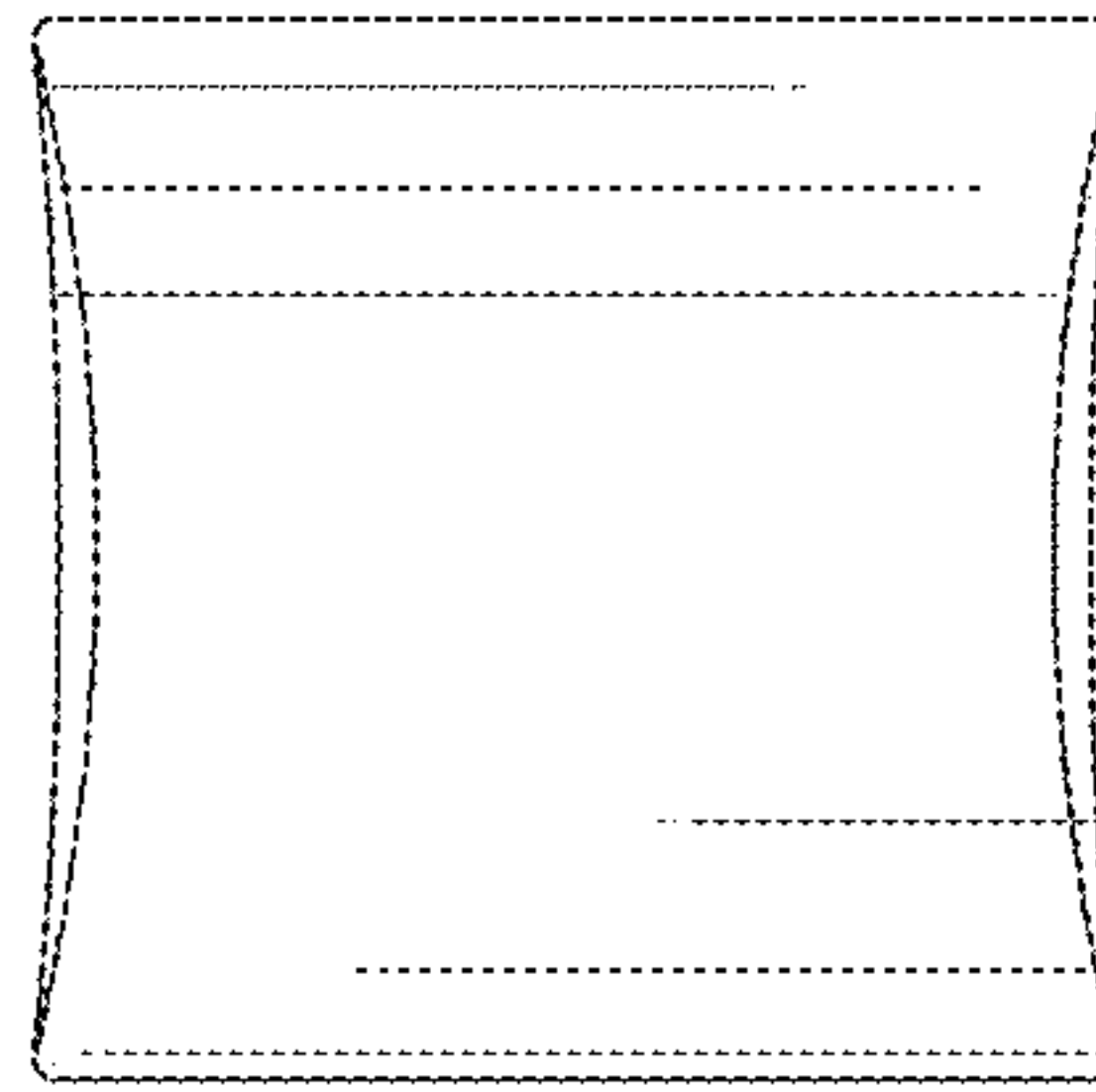


Fig.1

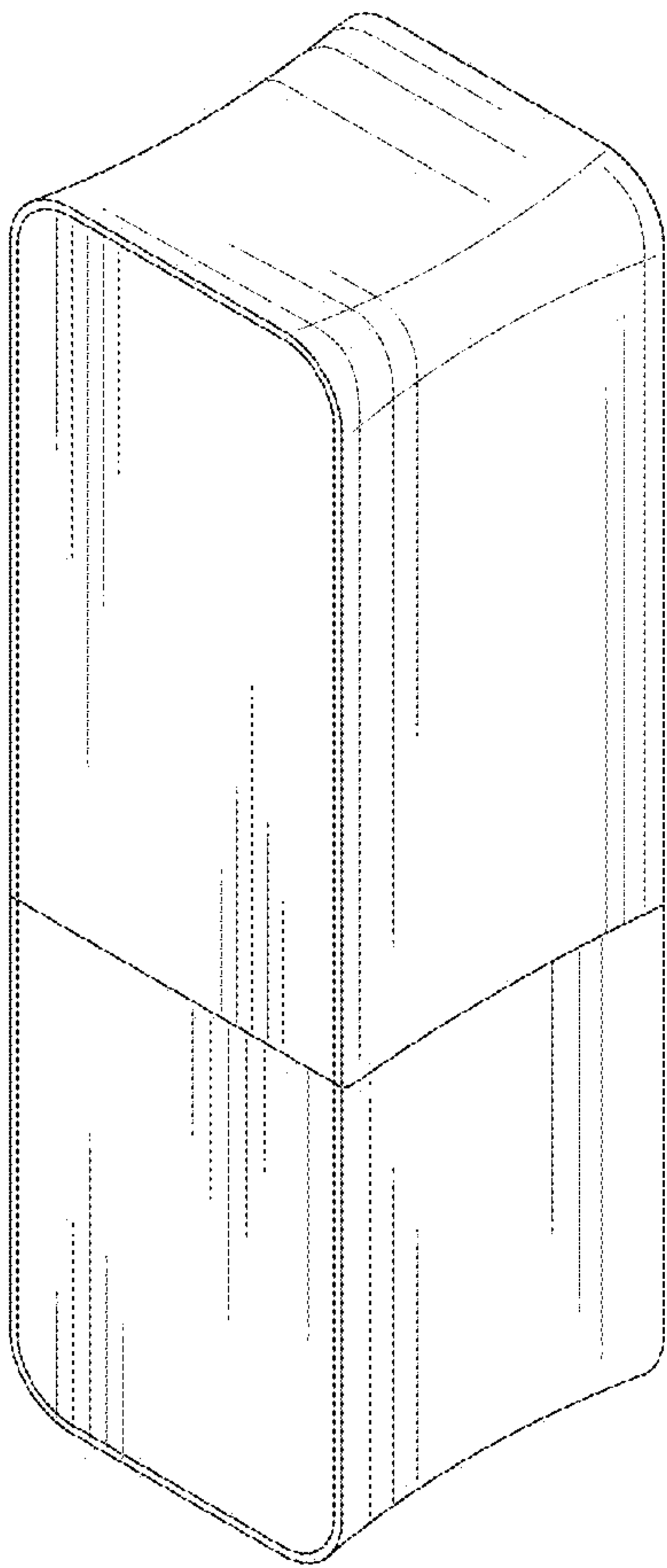


Fig.2

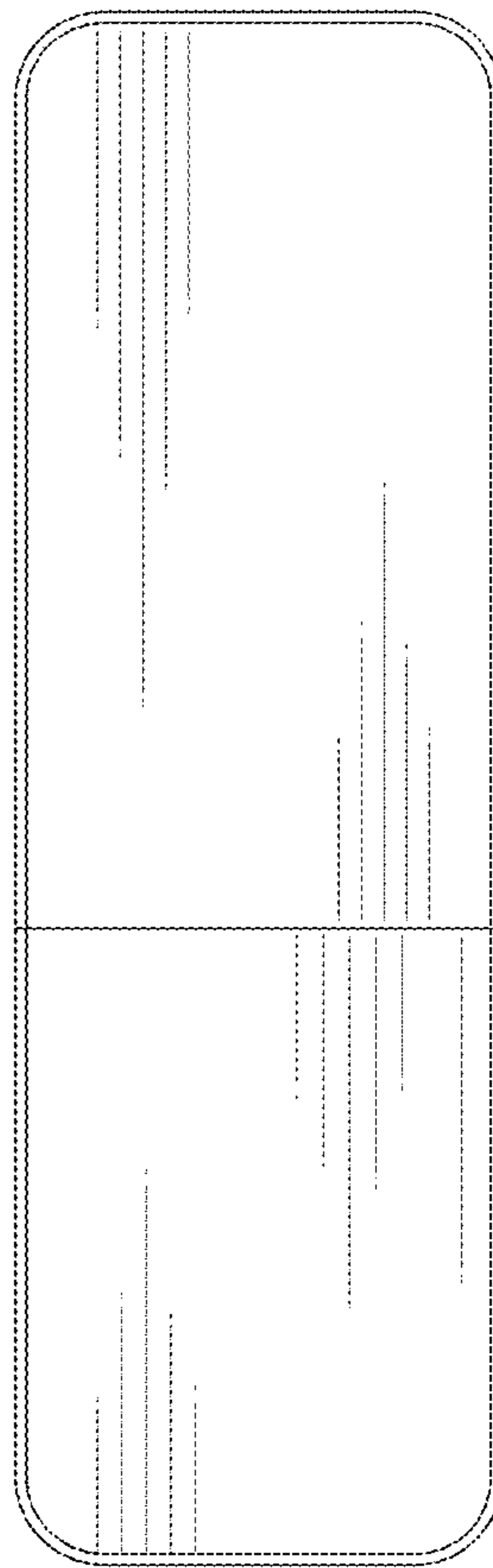


Fig.5

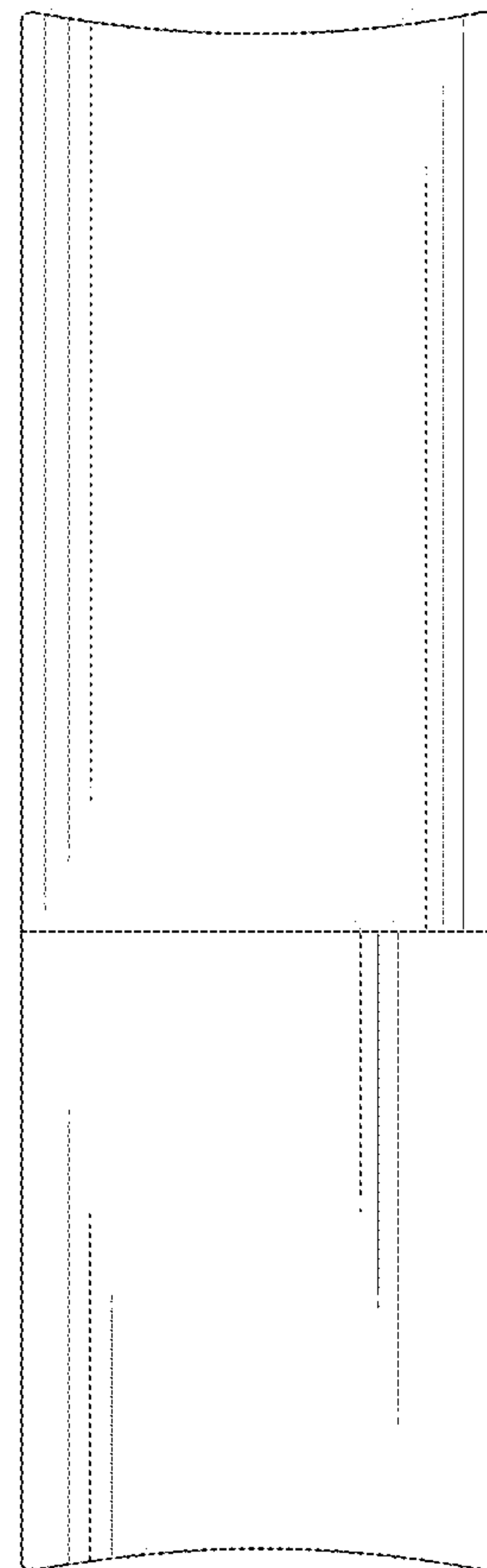


Fig.4

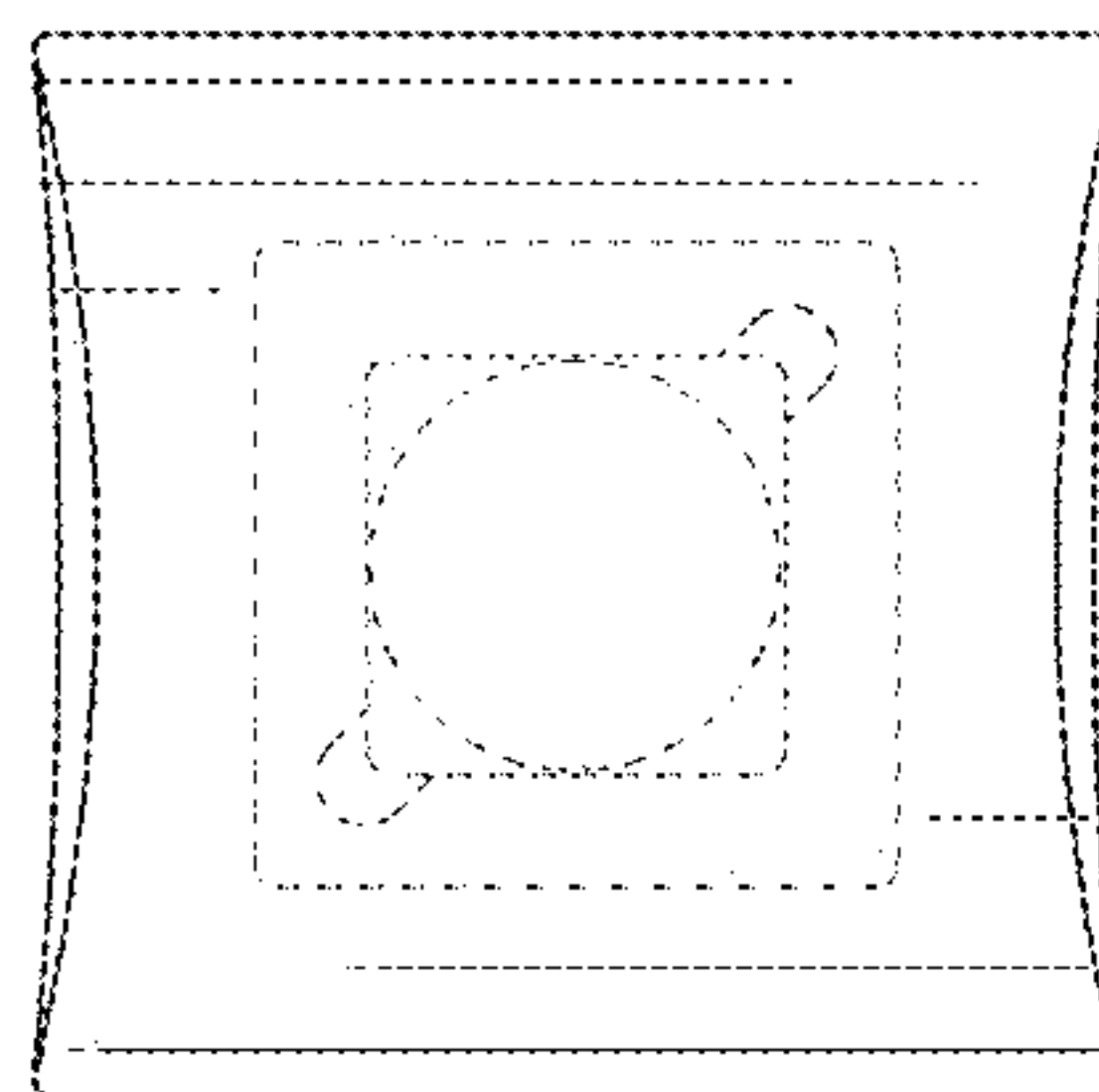


Fig.6

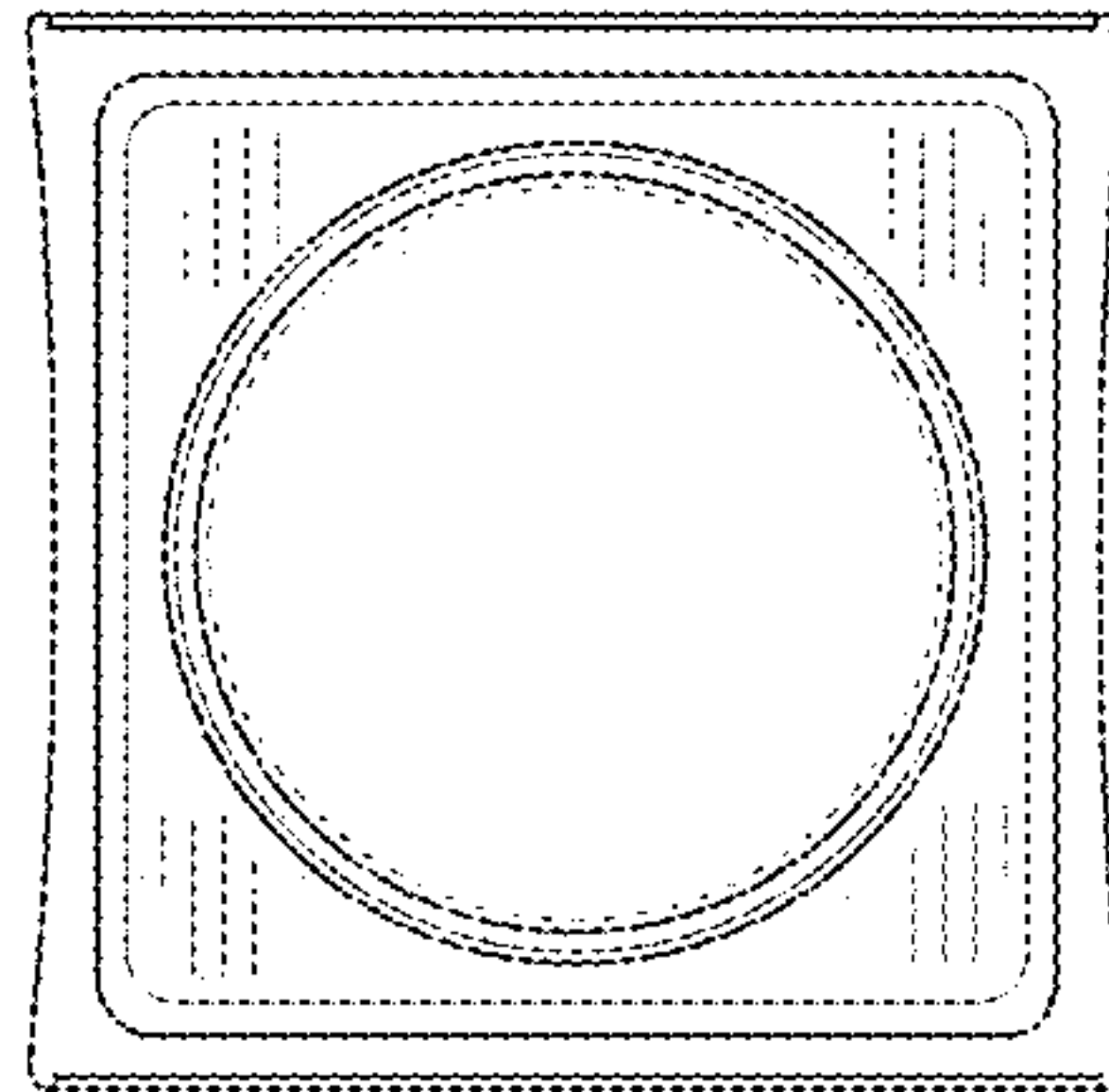


Fig.7

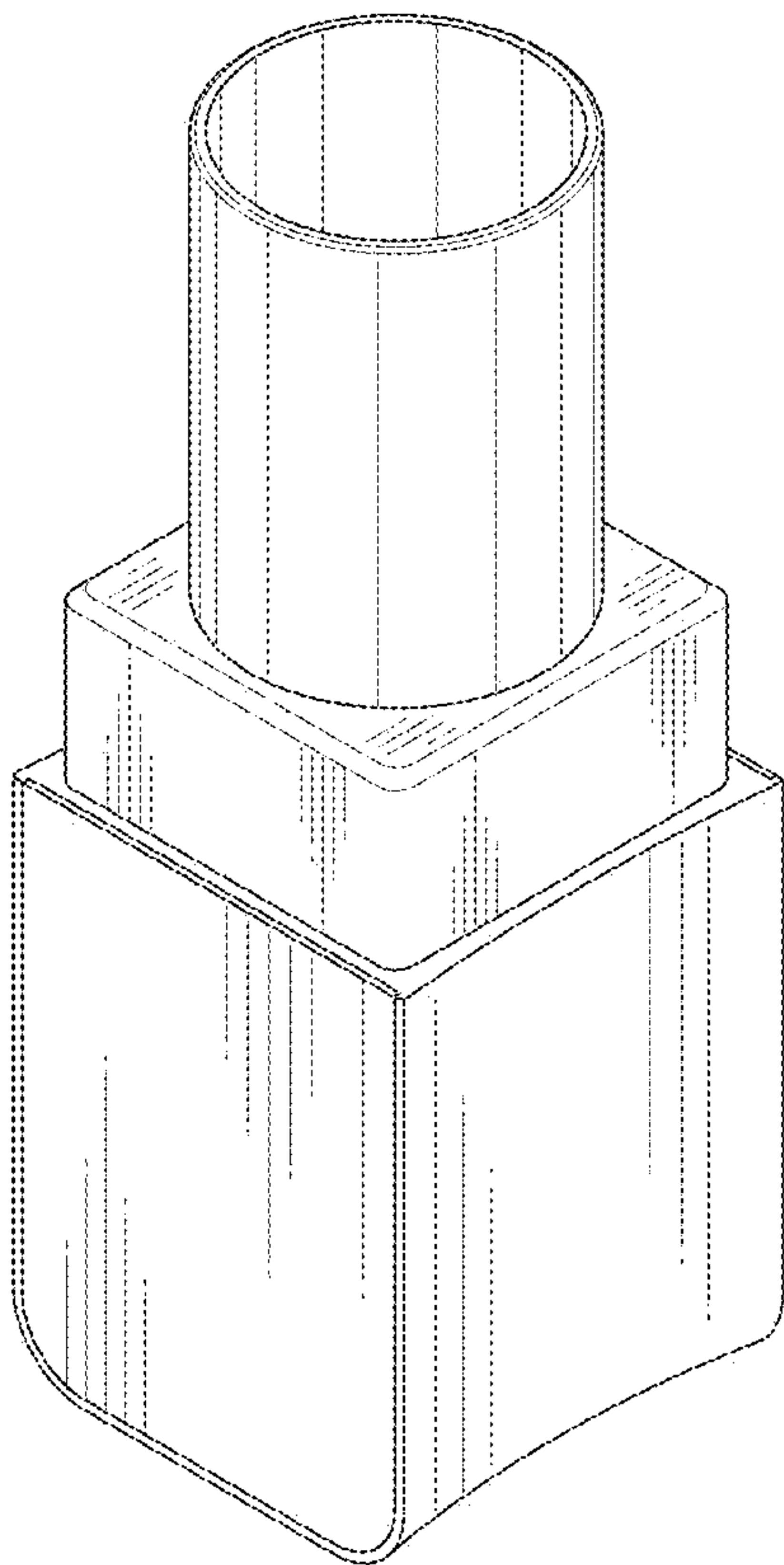
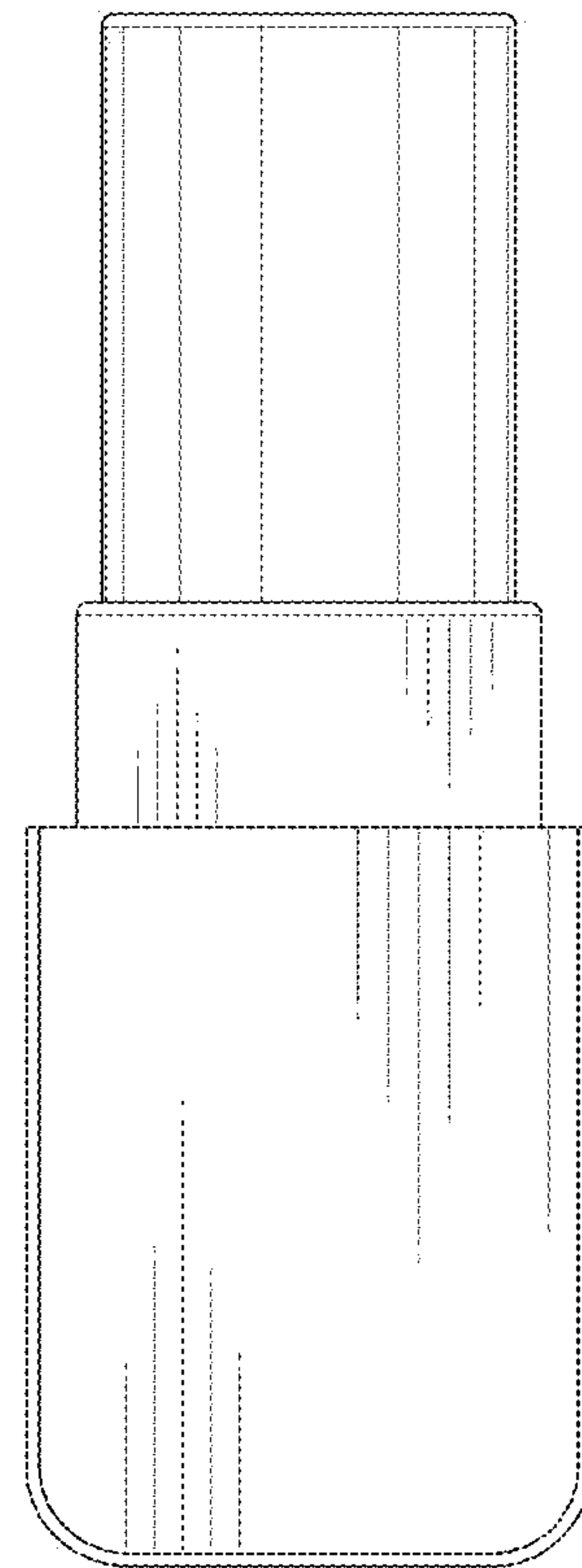


Fig.8



UNITED STATES PATENT AND TRADEMARK OFFICE
CERTIFICATE OF CORRECTION

PATENT NO. : D932,705 S
APPLICATION NO. : 29/710930
DATED : October 5, 2021
INVENTOR(S) : Taisuke Kikuchi

Page 1 of 1

It is certified that error appears in the above-identified patent and that said Letters Patent is hereby corrected as shown below:

On the Title Page

Please add the following after (72) Inventor: Taisuke Kikuchi, Tokyo (JP):

--(73) Assignee: SHISEIDO COMPANY, LIMITED, Tokyo (JP)--.

Signed and Sealed this
Fifteenth Day of November, 2022



Katherine Kelly Vidal
Director of the United States Patent and Trademark Office