



US00D932704S

(12) **United States Design Patent**
Huang

(10) **Patent No.:** **US D932,704 S**

(45) **Date of Patent:** **** Oct. 5, 2021**

(54) **MAKEUP PALETTE**

(71) Applicant: **Shenzhen BLACK TECH Co., Ltd.**,
Guangdong (CN)

(72) Inventor: **Lianwu Huang**, Guangdong (CN)

(73) Assignee: **Shenzhen BLACK TECH Co., Ltd.**,
Guangdong (CN)

(**) Term: **15 Years**

(21) Appl. No.: **29/755,998**

(22) Filed: **Oct. 23, 2020**

(51) **LOC (13) Cl.** **28-03**

(52) **U.S. Cl.**
USPC **D28/83**

(58) **Field of Classification Search**
USPC D28/73, 76, 83-84; D9/430, 432, 428;
D3/901, 284
CPC A45D 33/20; A45D 33/26; A45D 33/28;
A45D 33/18; A45D 33/006; A45D
2040/0012; A45D 40/24; A45D
40/22-222
See application file for complete search history.

(56) **References Cited**

U.S. PATENT DOCUMENTS

D444,596 S *	7/2001	Lai	D28/82
D479,895 S *	9/2003	Lai	D28/83
D480,180 S *	9/2003	Lai	D28/83
D687,634 S *	8/2013	Greenfield	D3/294
D752,290 S *	3/2016	Beilman	D28/73
D757,434 S *	5/2016	Beilman	D3/284
D831,890 S	10/2018	Von Drachenberg et al.		
D847,436 S	4/2019	Wilson et al.		
D917,098 S *	4/2021	Huang	D28/83
D919,891 S *	5/2021	Huang	D28/82

2009/0255846 A1*	10/2009	Pires	A45D 40/24 206/581
2017/0112261 A1*	4/2017	Grund	A45D 40/222
2020/0146408 A1*	5/2020	Porras	A45D 33/24

OTHER PUBLICATIONS

BR travel Size Eyeshadow, www.amazon.com, 1 page, reviewed as early as Dec. 17, 2015 (Year: 2015).*

Shany Fierce & Flawless Makeup Compact, www.amazon.com, 1 page, reviewed as early as Apr. 12, 2017 (Year: 2017).*

* cited by examiner

Primary Examiner — Jennifer Rivard

(74) *Attorney, Agent, or Firm* — ScienBiziP, P.C.

(57) **CLAIM**

The ornamental design for a makeup palette, as shown and described.

DESCRIPTION

FIG. 1 is a front perspective view of a makeup palette, showing my design.

FIG. 2 is a front elevation view thereof.

FIG. 3 is a rear elevation view thereof.

FIG. 4 is a left side elevation thereof.

FIG. 5 is a right side elevation thereof.

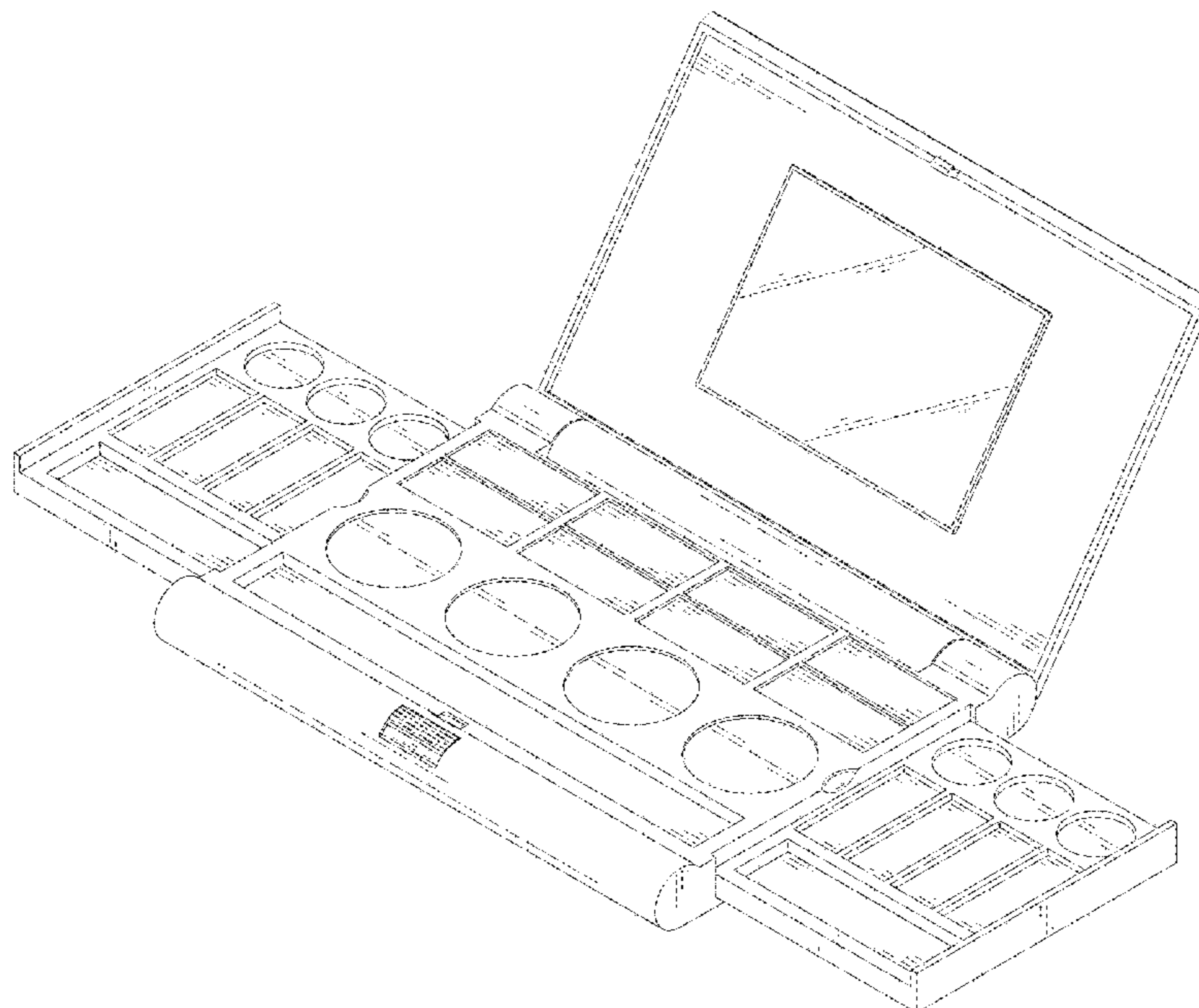
FIG. 6 is a top plan view thereof.

FIG. 7 is a bottom plan view thereof.

FIG. 8 is a perspective view of the makeup palette wherein a left side tray and a right side tray are slid into the makeup palette; and,

FIG. 9 is a perspective view of the makeup palette in a closed state.

1 Claim, 9 Drawing Sheets



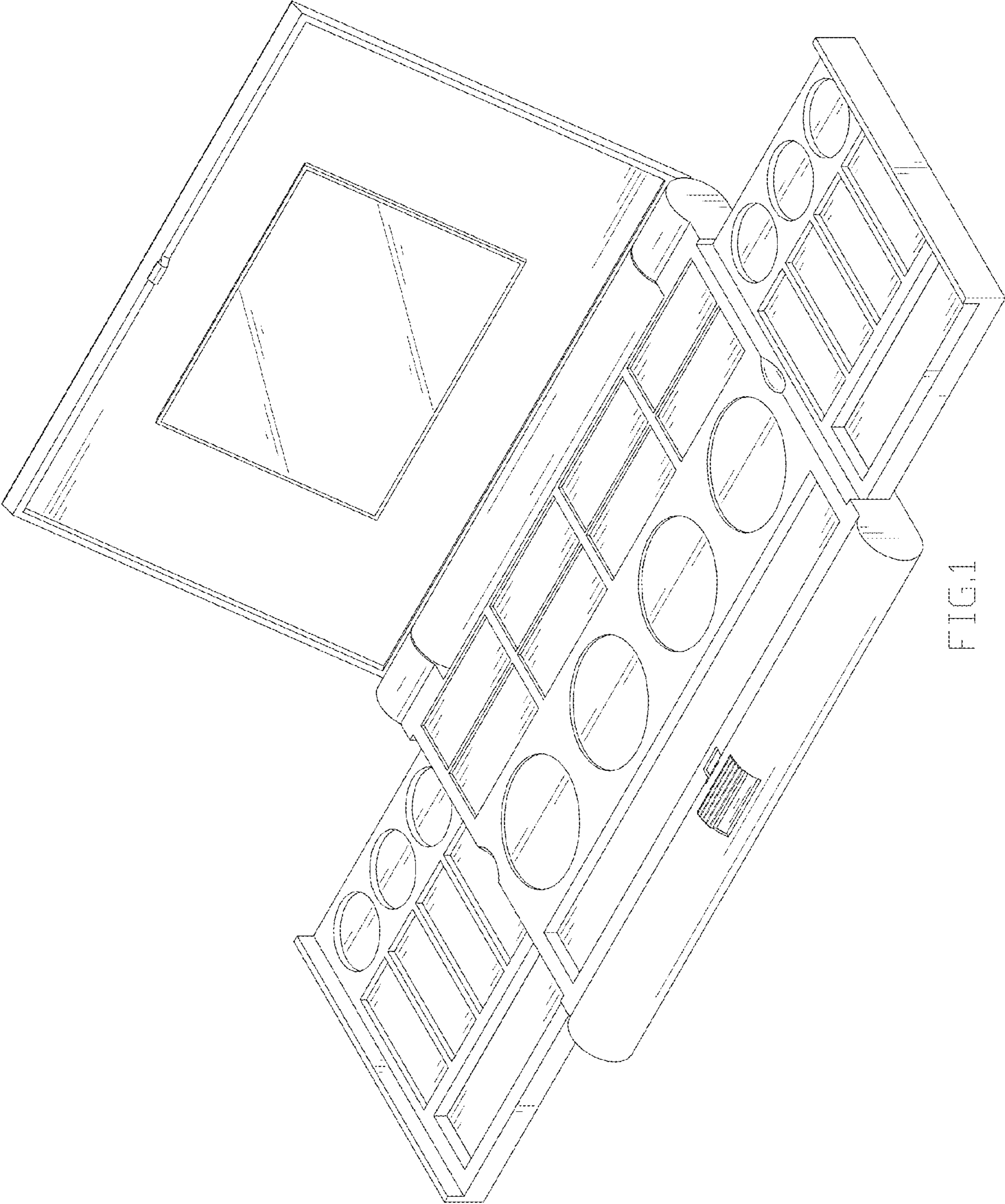


FIG. 1

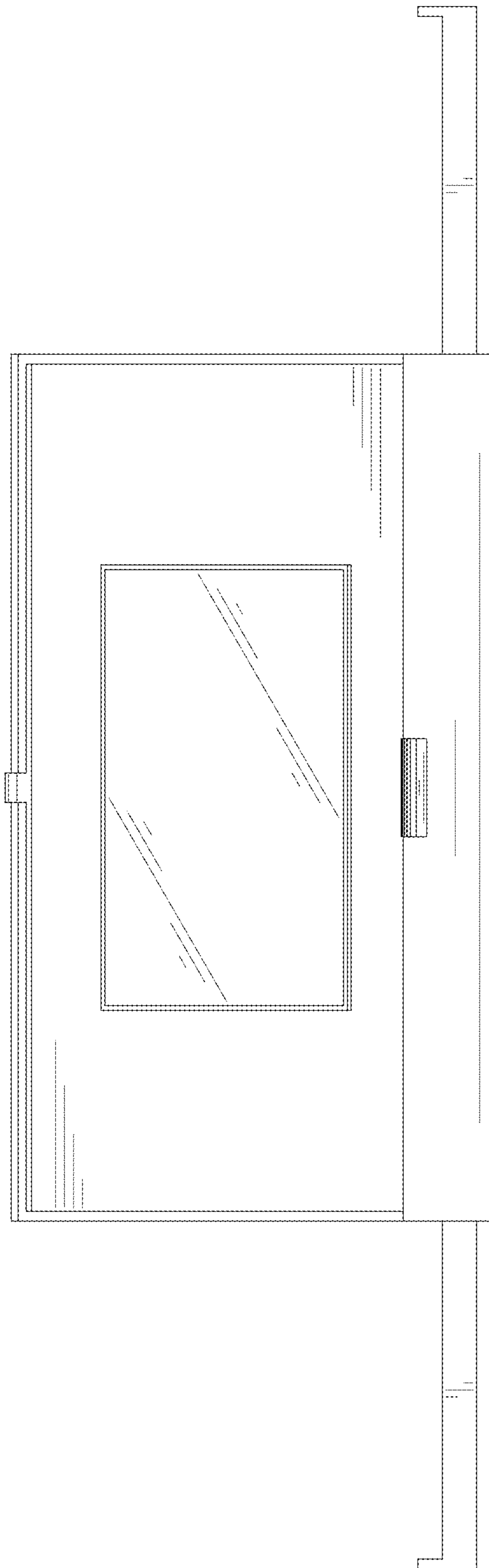


FIG. 2

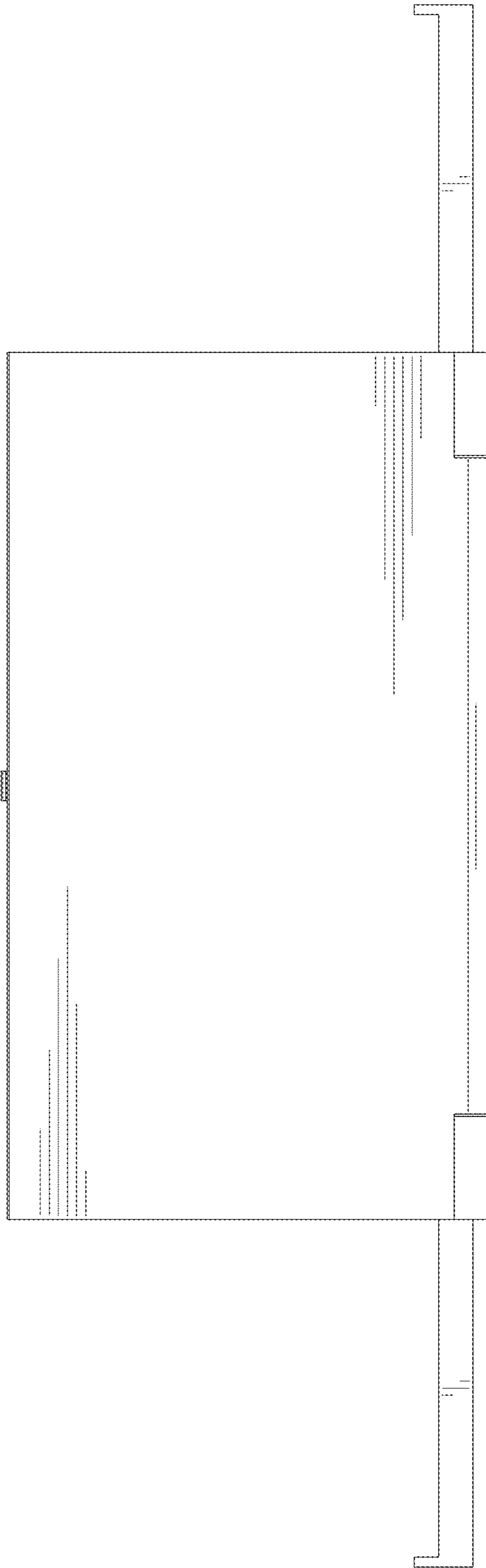


FIG. 3

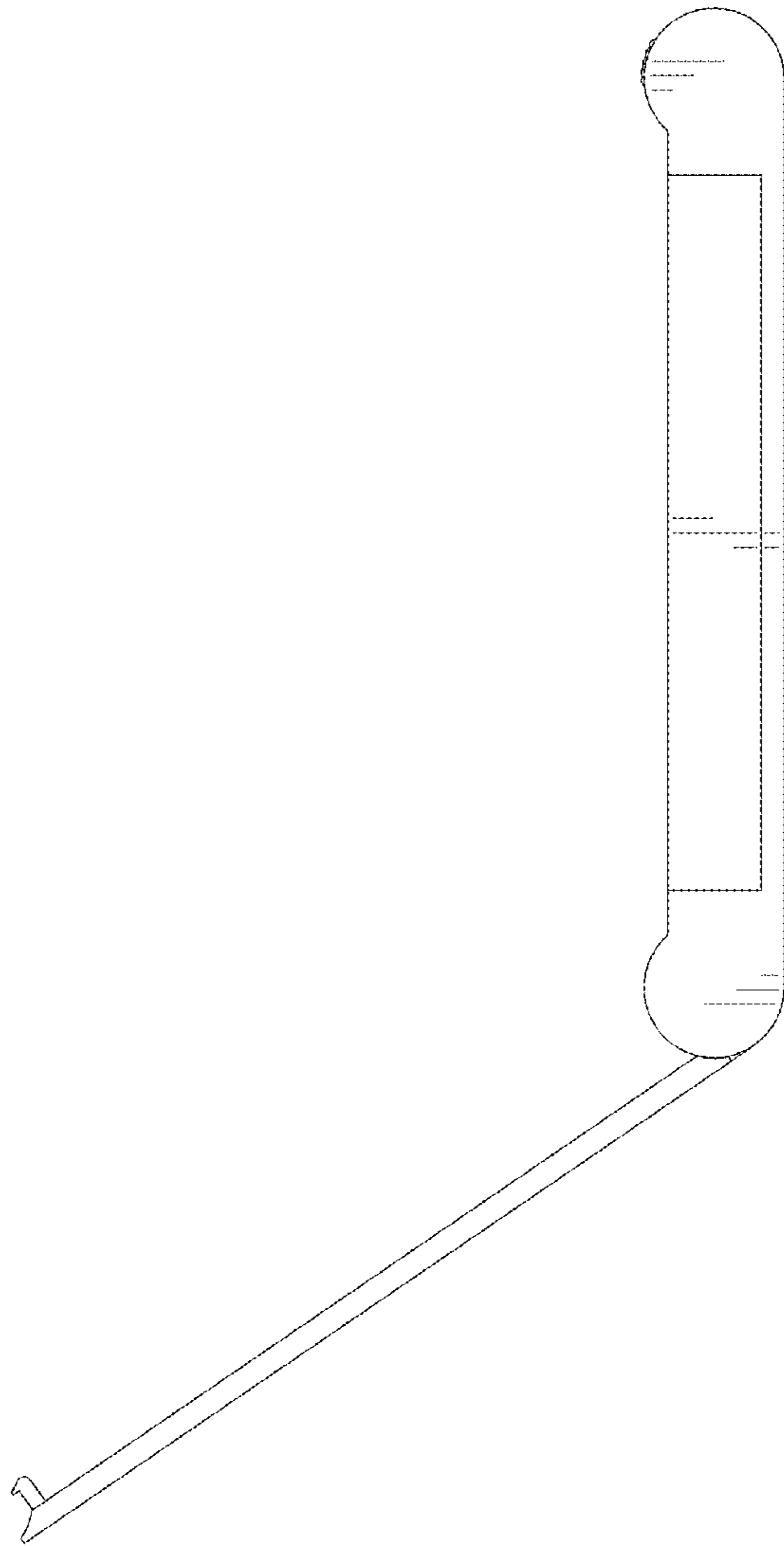


FIG. 4

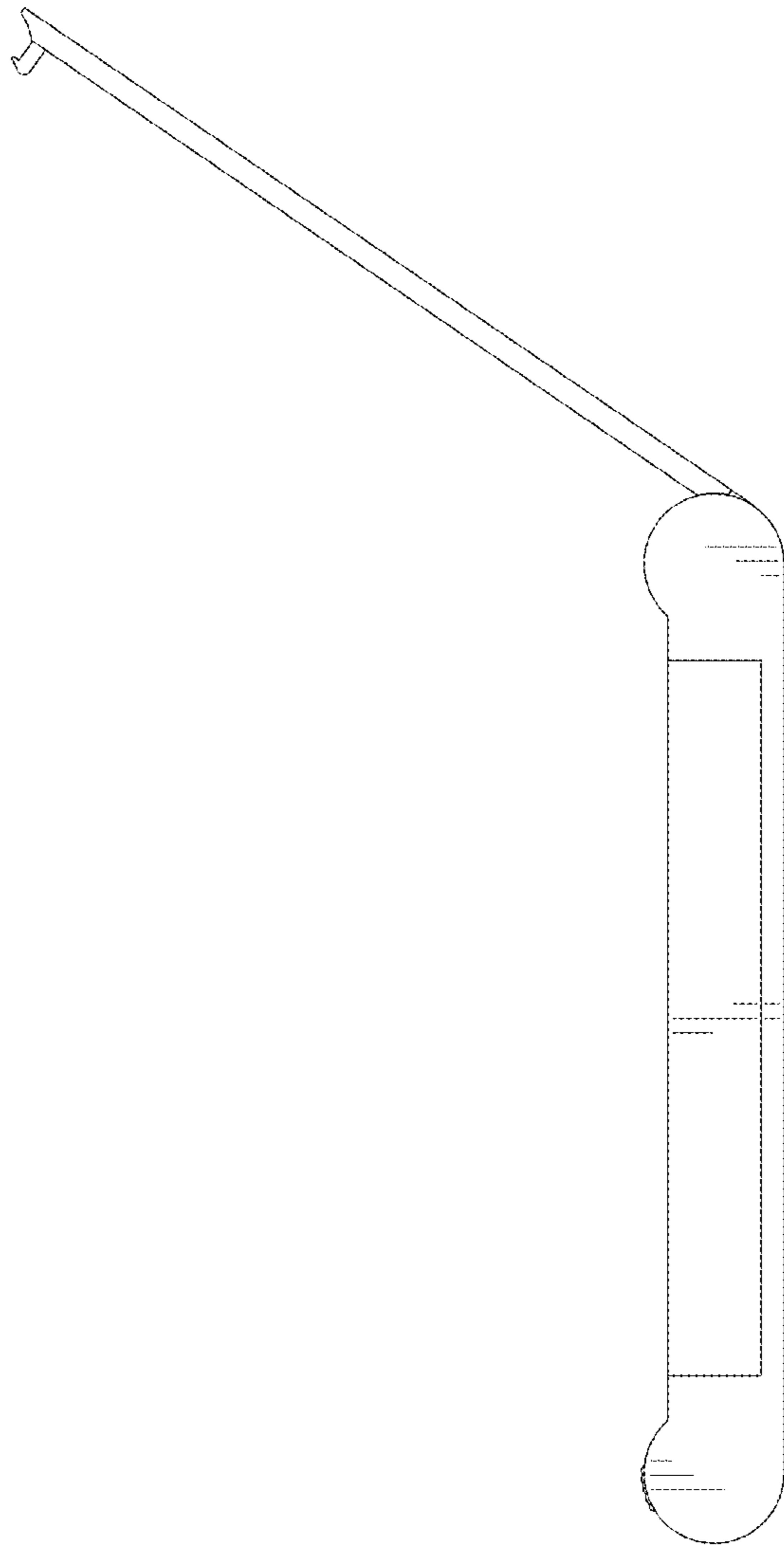


FIG. 5

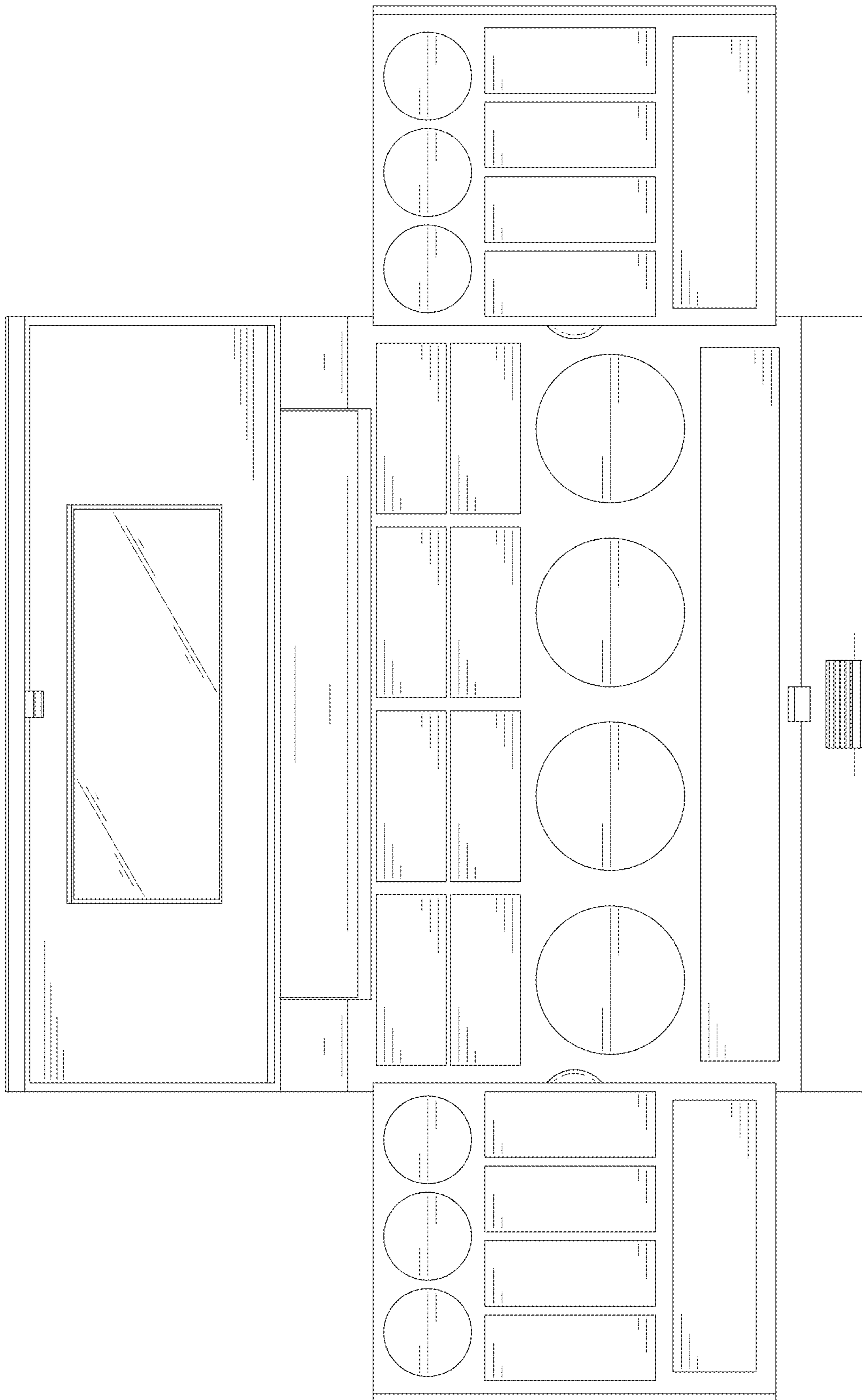


FIG.6

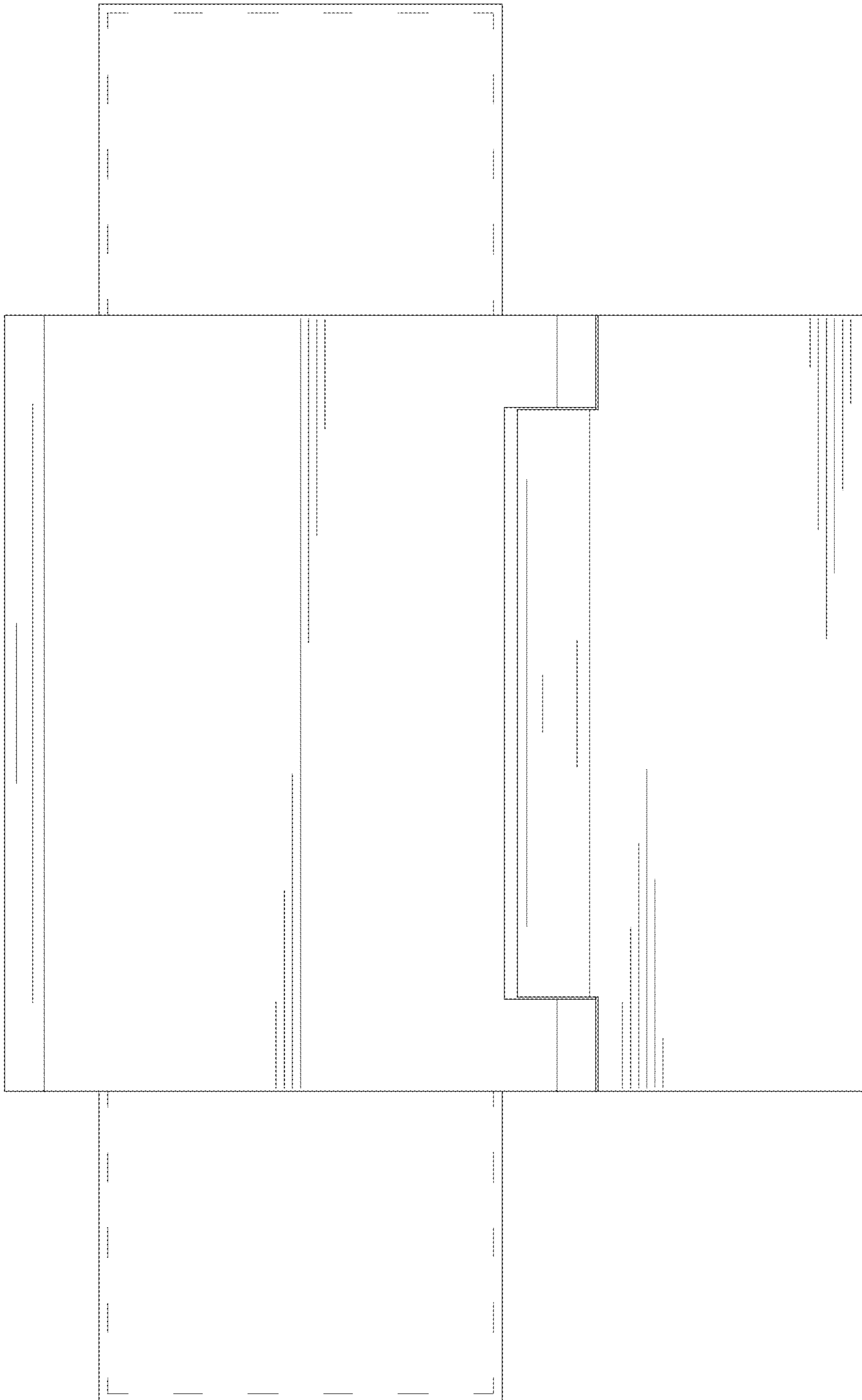


FIG. 7

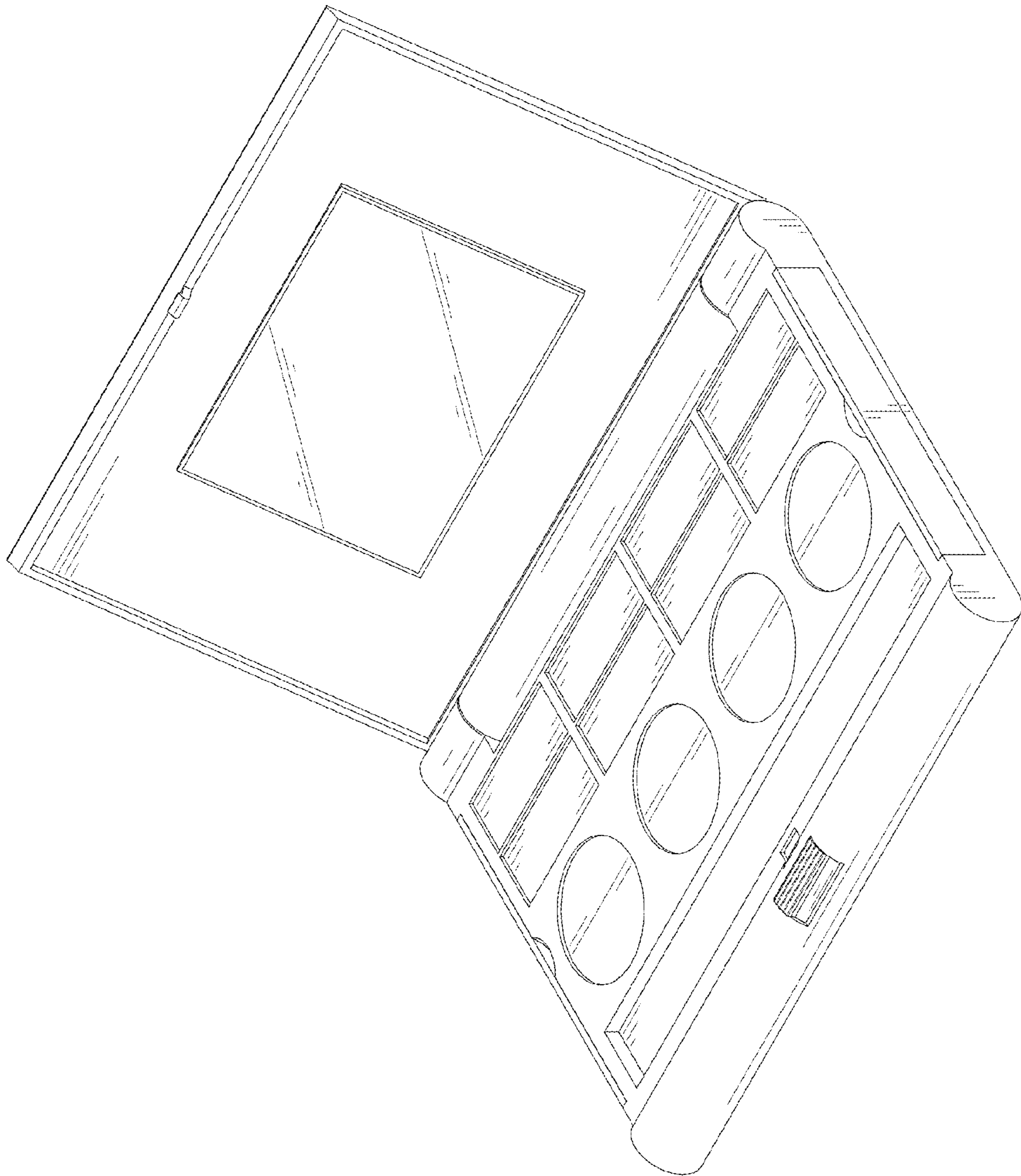


FIG. 8

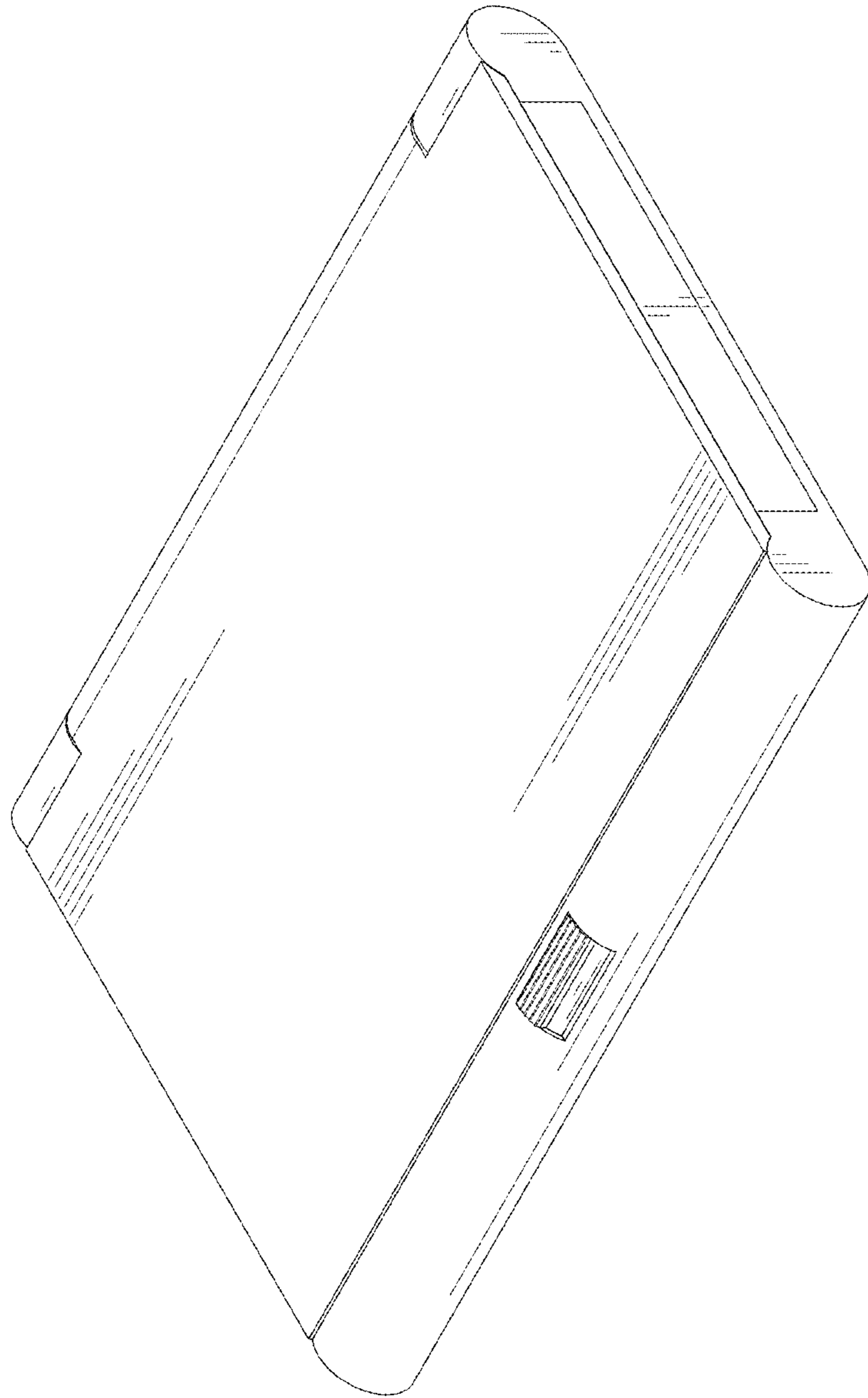


FIG. 9