



US00D932703S

(12) **United States Design Patent** (10) **Patent No.:** **US D932,703 S**
Pae (45) **Date of Patent:** **** Oct. 5, 2021**

(54) **COSMETIC CONTAINER**
(71) Applicant: **Ju Yeon Pae**, Seoul (KR)
(72) Inventor: **Ju Yeon Pae**, Seoul (KR)
(**) Term: **15 Years**
(21) Appl. No.: **29/687,032**
(22) Filed: **Apr. 10, 2019**
(51) **LOC (13) Cl.** **28-03**
(52) **U.S. Cl.**
USPC **D28/78**
(58) **Field of Classification Search**
USPC D28/73, 76-84; D9/430, 432
CPC A45D 33/00; A45D 33/003; A45D 33/006;
A45D 33/008; A45D 33/18; A45D 33/20;
A45D 33/22; A45D 33/24; A45D 33/26;
A45D 33/28; A45D 40/00; A45D 40/22;
A45D 40/24; A45D 2040/0012
See application file for complete search history.

(56) **References Cited**
U.S. PATENT DOCUMENTS
2,190,538 A * 2/1940 Williamson A45D 33/28
206/37
D302,602 S * 8/1989 Bakic D28/78
D303,581 S * 9/1989 Bakic D28/78
4,944,402 A * 7/1990 Wu A45D 33/20
132/287
D312,423 S * 11/1990 Orlinsky D10/106.1
D534,423 S * 1/2007 Tanner D9/426
D551,804 S * 9/2007 Allen D28/78

7,614,405 B2 * 11/2009 Allen A45D 33/006
132/293
D616,738 S * 6/2010 Andre D9/430
D643,879 S * 8/2011 Rashid D19/86
D814,117 S * 3/2018 Groning D28/78
D908,966 S * 1/2021 Winn D28/78
2018/0020810 A1 * 1/2018 Eberlein A45D 40/24
132/315
2019/0133292 A1 * 5/2019 Lin A45D 33/003
* cited by examiner

Primary Examiner — Jennifer Rivard
(74) *Attorney, Agent, or Firm* — Jake K. Lee

(57) **CLAIM**
I claim the ornamental design for a cosmetic container, as shown and described.

DESCRIPTION
FIG. 1 is a front, top, and right side perspective view of a cosmetic container according to an embodiment of the present invention;
FIG. 2 is a front elevation view thereof;
FIG. 3 is an enlarged, rear elevation view thereof;
FIG. 4 is an enlarged, left side elevation view thereof;
FIG. 5 is an enlarged, right side elevation view thereof;
FIG. 6 is a top plan view thereof;
FIG. 7 is a bottom plan view thereof; and,
FIG. 8 is a rear, top, and right side perspective view thereof.
The broken lines illustrate portions of the cosmetic container that form no part of the claimed design.
The XUYONI forming part of the claimed design is a registered trademark of Ju Yeon Pae.

1 Claim, 8 Drawing Sheets

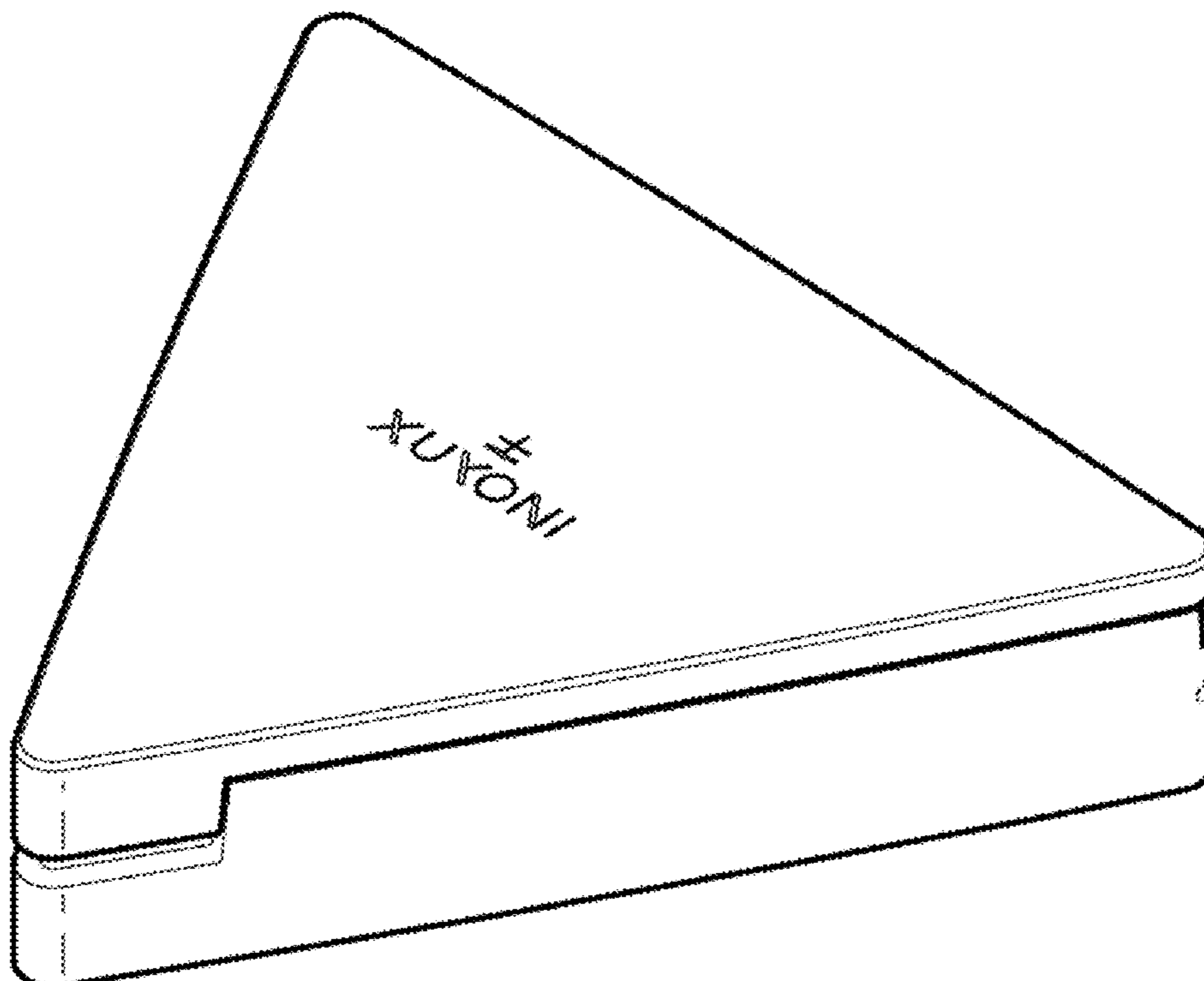


FIG. 1

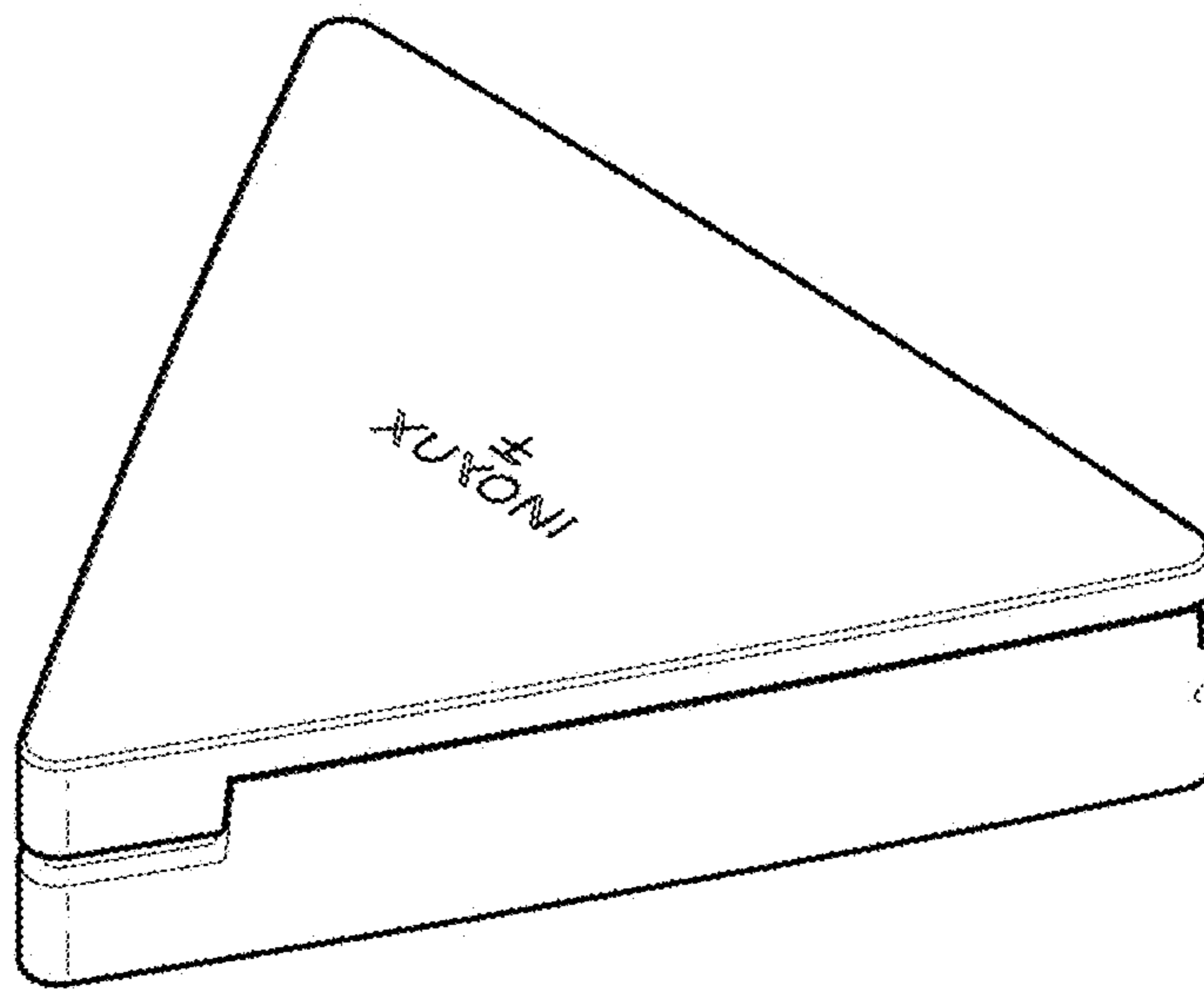
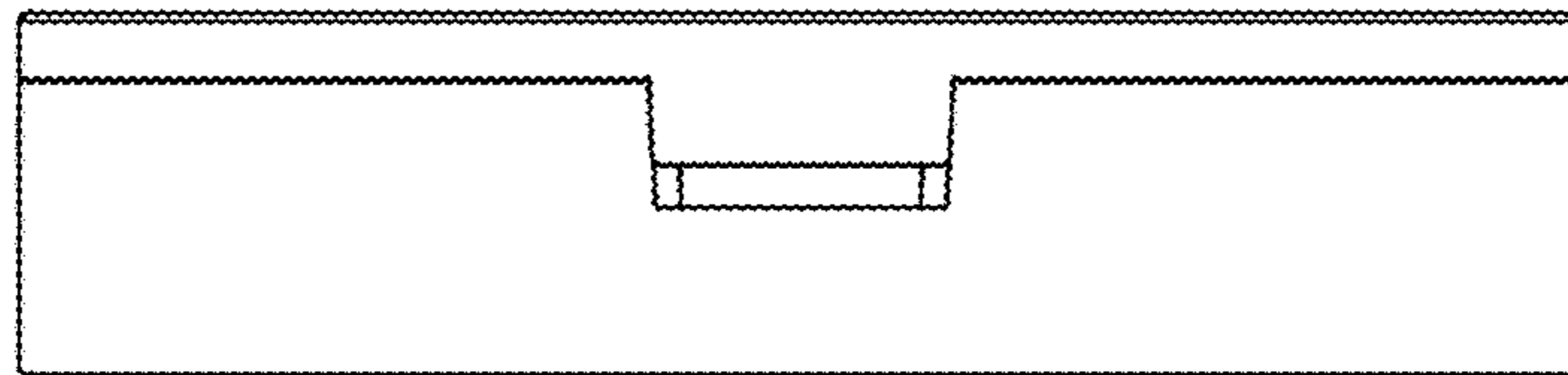


FIG. 2



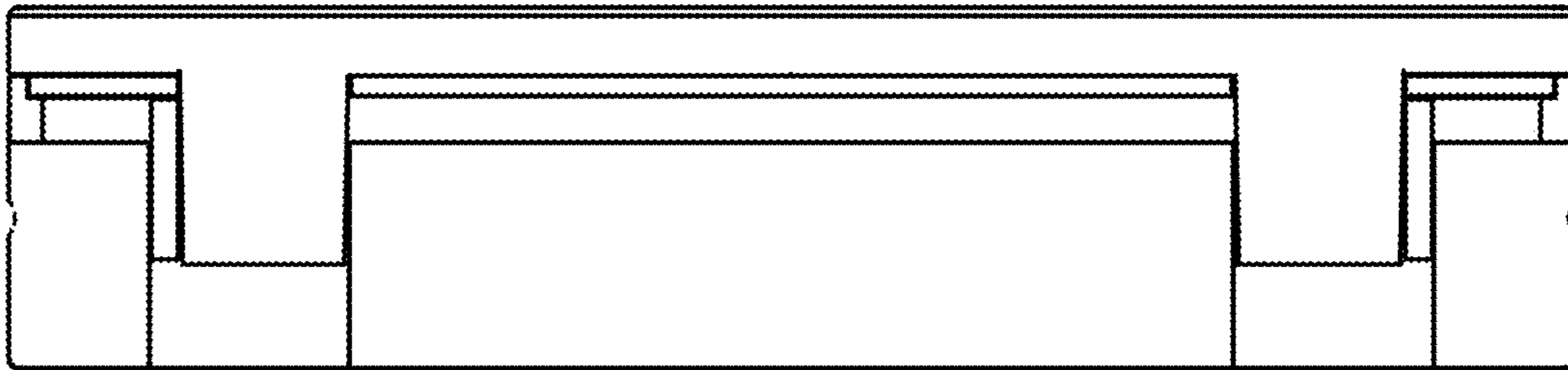


FIG. 3

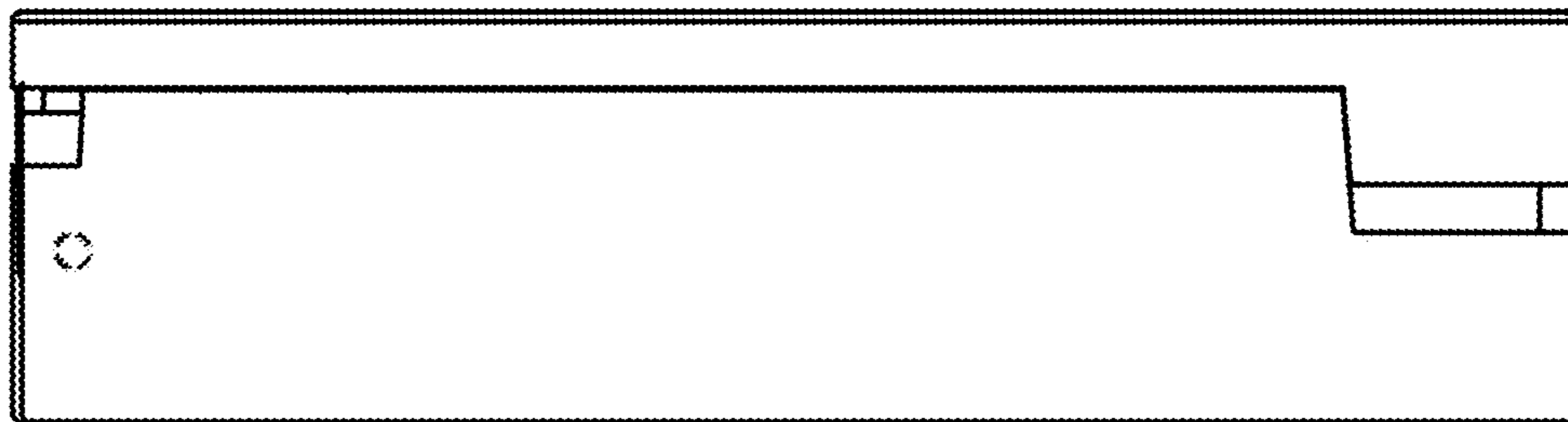


FIG. 4

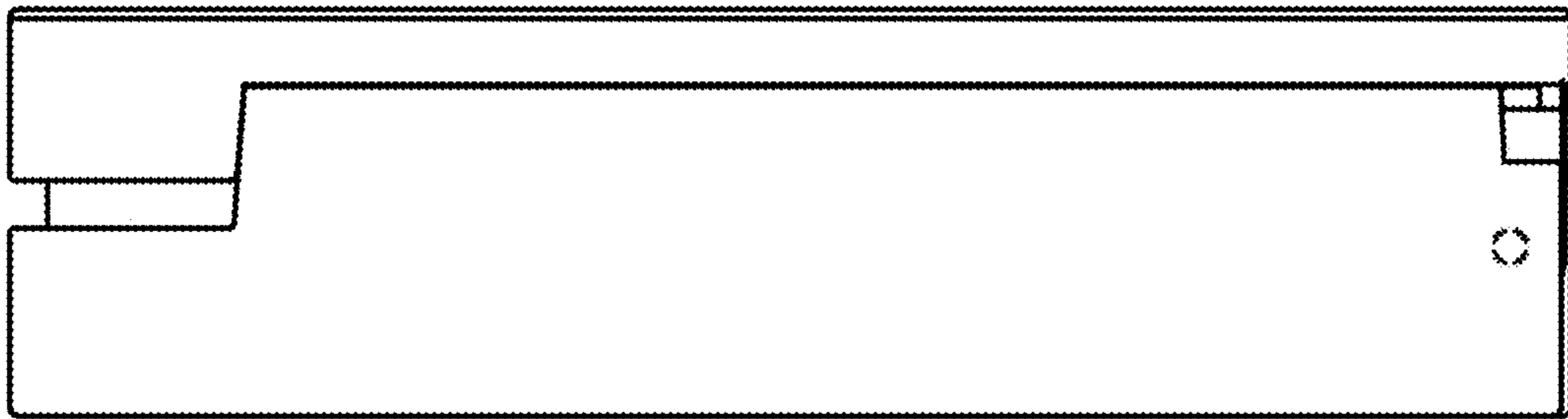


FIG. 5

FIG. 6

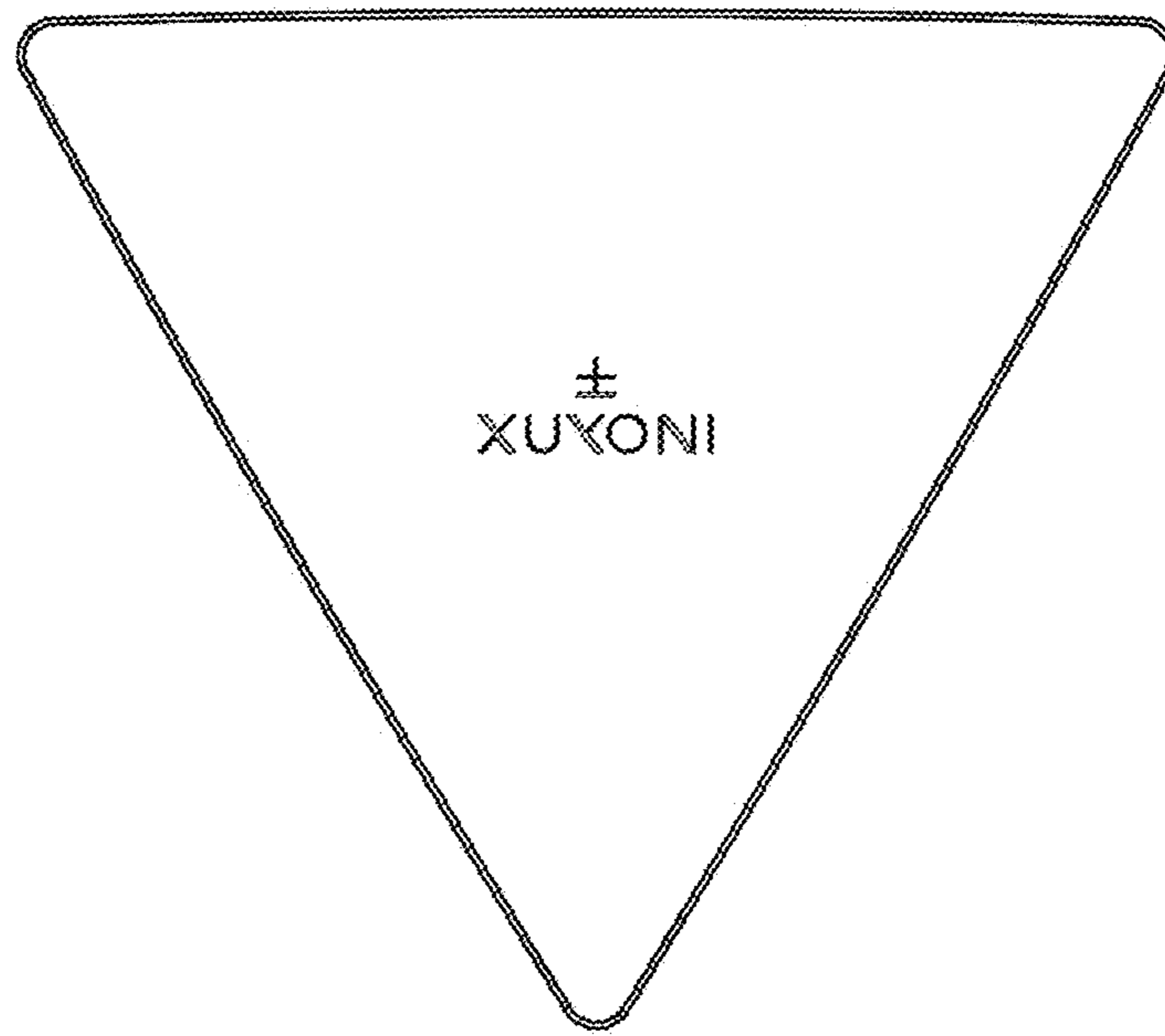


FIG. 7

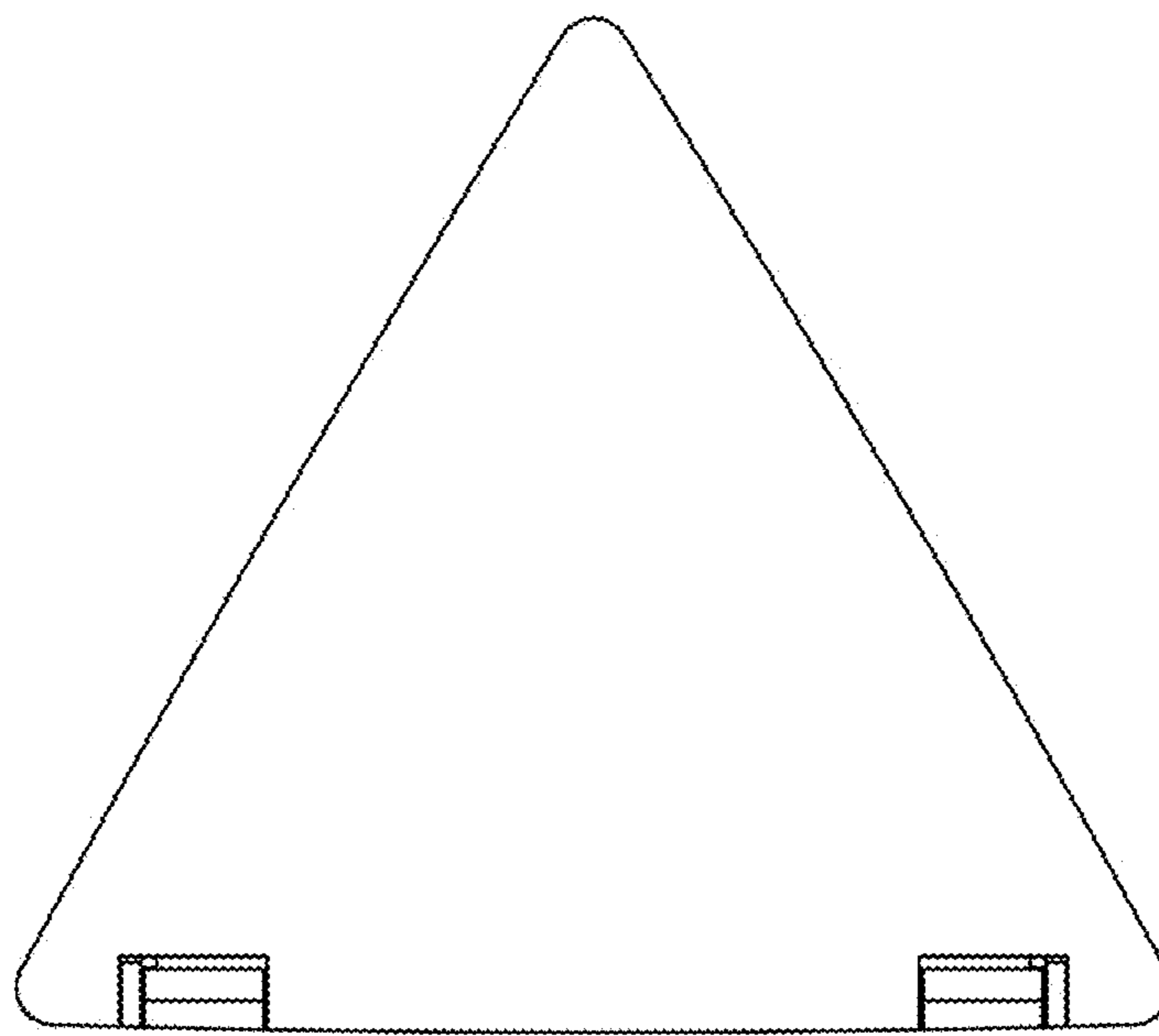


FIG. 8

