



US00D932700S

(12) **United States Design Patent** (10) **Patent No.:** **US D932,700 S**
Van Roosmalen et al. (45) **Date of Patent:** **** Oct. 5, 2021**

(54) **SHAVER**
(71) Applicant: **KONINKLIJKE PHILIPS N.V.**,
Eindhoven (NL)
(72) Inventors: **Jos Van Roosmalen**, Amsterdam (NL);
Frank Verbrugge, Rosmalen (NL);
Jens Andersson, Amsterdam (NL);
Roel Krooshof, Bilthoven (NL); **Simon**
Van Anken, Amsterdam (NL); **Peter**
Gal, Amsterdam (NL); **Lieven**
Adriaenssen, Vilvoorde (BE); **Roshan**
Hakkim, Amsterdam (NL); **Mingshuo**
Zhang, Amstelveen (NL)
(73) Assignee: **KONINKLIJKE PHILIPS N.V.**,
Eindhoven (NL)

D544,999 S * 6/2007 Prat-Pfister D28/50
D546,001 S * 7/2007 McLachlan D28/50
D549,873 S * 8/2007 Prat-Pfister D28/50
D550,901 S * 9/2007 Masee D28/50
D563,599 S * 3/2008 Prat-Pfister D28/50
D593,252 S * 5/2009 Masuda D28/50
D601,301 S * 9/2009 Bao D28/50
D604,013 S * 11/2009 Qiu D28/50
D608,053 S * 1/2010 Vetu D28/50
D620,198 S * 7/2010 Nitz D28/50
D620,641 S * 7/2010 Nitz D28/50
D620,642 S * 7/2010 Nitz D28/50
D637,759 S * 5/2011 Byun D28/50
D651,746 S * 1/2012 Prat-Pfister D28/50
D654,223 S * 2/2012 Aulwes D28/50
D675,779 S * 2/2013 Vetu D28/50
D695,961 S * 12/2013 Prat-Pfister D28/50
D695,962 S * 12/2013 Prat-Pfister D28/50

(Continued)

(**) Term: **15 Years**

(21) Appl. No.: **29/725,761**

(22) Filed: **Feb. 27, 2020**

(51) **LOC (13) Cl.** **28-03**

(52) **U.S. Cl.**
USPC **D28/50**

(58) **Field of Classification Search**
USPC D28/49-54
CPC B26B 19/14-18; B26B 19/38; B26B
19/3853-3893; B26B 19/3806-384
See application file for complete search history.

(56) **References Cited**

U.S. PATENT DOCUMENTS

D326,738 S * 6/1992 Mauro D28/50
D389,276 S * 1/1998 Bone D28/50
D405,922 S * 2/1999 Bone D28/50
D513,342 S * 12/2005 Sulik D28/50
D520,681 S * 5/2006 Beedham D28/50
D520,682 S * 5/2006 Butcher D28/50
D542,473 S * 5/2007 McLachlan D28/50

OTHER PUBLICATIONS

Ultimate guide to electric shavers 2021, downloaded Feb. 2021, 23 pages <https://www.allaboutrazor.com/corded-electric-shaver/> (Year: 2021).*

Primary Examiner — Jennifer Rivard

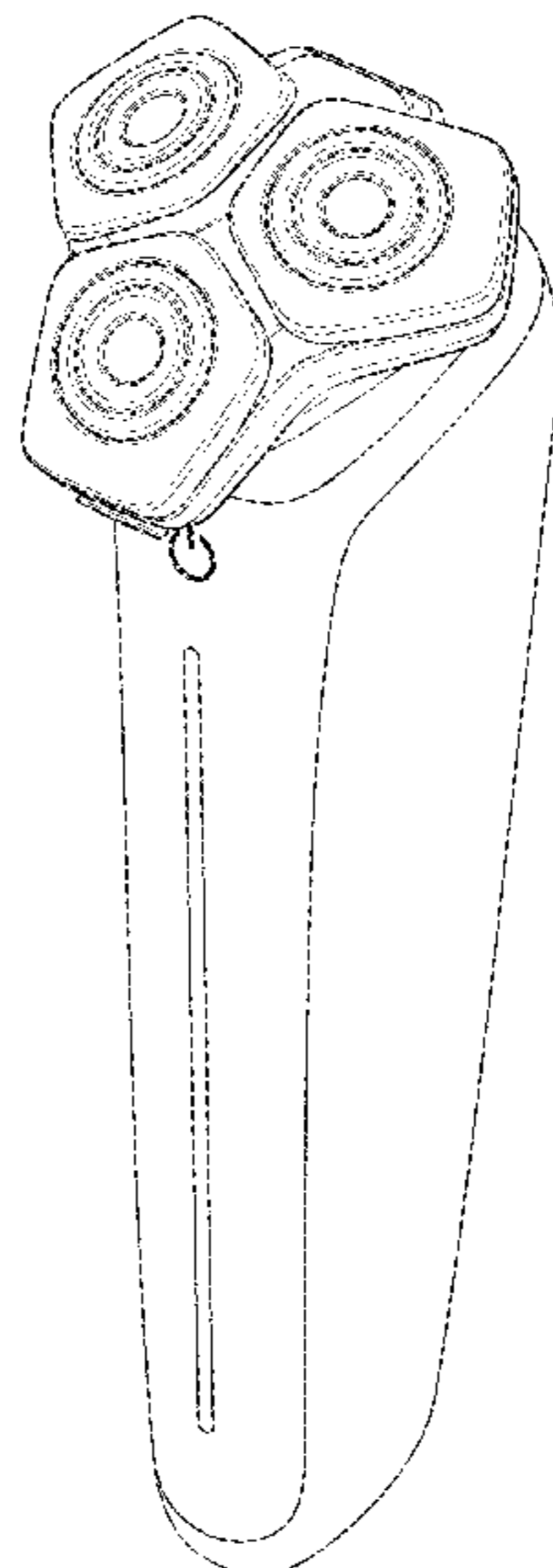
(57) **CLAIM**

We claim the ornamental design for a shaver, as shown and described.

DESCRIPTION

FIG. 1 is a perspective view showing a shaver;
FIG. 2 is a front elevational view thereof;
FIG. 3 is a rear elevational view thereof;
FIG. 4 is a right side elevational view thereof;
FIG. 5 is a left side elevational view thereof;
FIG. 6 is a top plan view thereof; and,
FIG. 7 is a bottom plan view thereof.
The broken lines illustrate portions of the shaver and form no part of the claimed design.

1 Claim, 4 Drawing Sheets



(56)

References Cited

U.S. PATENT DOCUMENTS

D698,491	S	*	1/2014	Ellison	D28/50
D737,514	S	*	8/2015	Roland	D28/50
D737,515	S	*	8/2015	Roland	D28/50
D738,042	S	*	9/2015	Roland	D28/50
D748,857	S	*	2/2016	Boulanger	D28/50
D758,014	S	*	5/2016	Smith	D28/50
D758,015	S	*	5/2016	Prat-Pfister	D28/50
D758,017	S	*	5/2016	Smith	D28/54
D758,659	S	*	6/2016	Smith	D28/50
D758,660	S	*	6/2016	Prat-Pfister	D28/50
D776,348	S	*	1/2017	Frankel	D28/50
D777,375	S	*	1/2017	Frankel	D28/50
D777,376	S	*	1/2017	Frankel	D28/50
D808,077	S	*	1/2018	Boulanger	D28/50
D808,591	S	*	1/2018	Prat-Pfister	D28/50
D812,301	S	*	3/2018	Yan	D28/50
D819,274	S	*	5/2018	Yan	D28/50
D821,032	S	*	6/2018	Prat-Pfister	D28/50
D824,103	S	*	7/2018	Yan	D28/50
D824,595	S	*	7/2018	Yan	D28/50
D844,242	S	*	3/2019	Yan	D28/50
D844,243	S	*	3/2019	Chen	D28/50
D848,071	S	*	5/2019	Prat-Pfister	D28/50
D848,072	S	*	5/2019	Prat-Pfister	D28/50
D856,583	S	*	8/2019	Chen	D28/50
D858,880	S	*	9/2019	Lu	D28/50
D858,881	S	*	9/2019	Lu	D28/50
D861,986	S	*	10/2019	Wang	D28/50
D880,064	S	*	3/2020	Andersson	D28/50
D884,972	S	*	5/2020	Andersson	D28/50
D889,042	S	*	6/2020	Andersson	D28/50
D902,486	S	*	11/2020	Andersson	D28/50

* cited by examiner

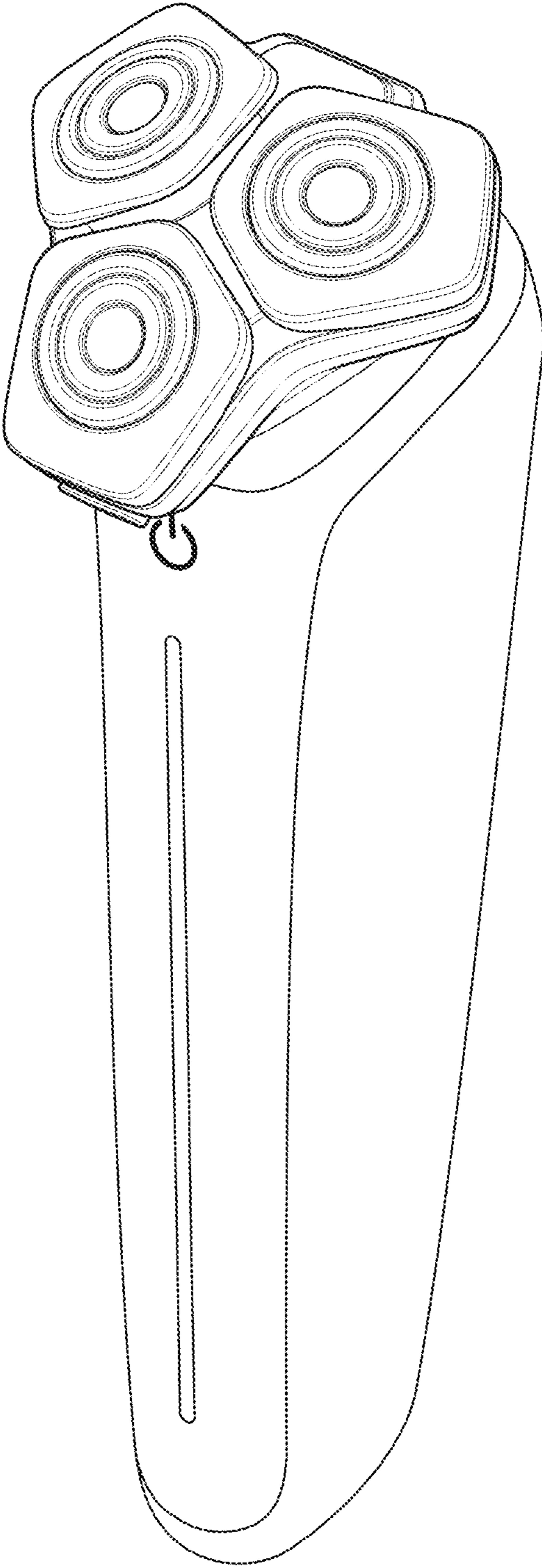


FIG. 1

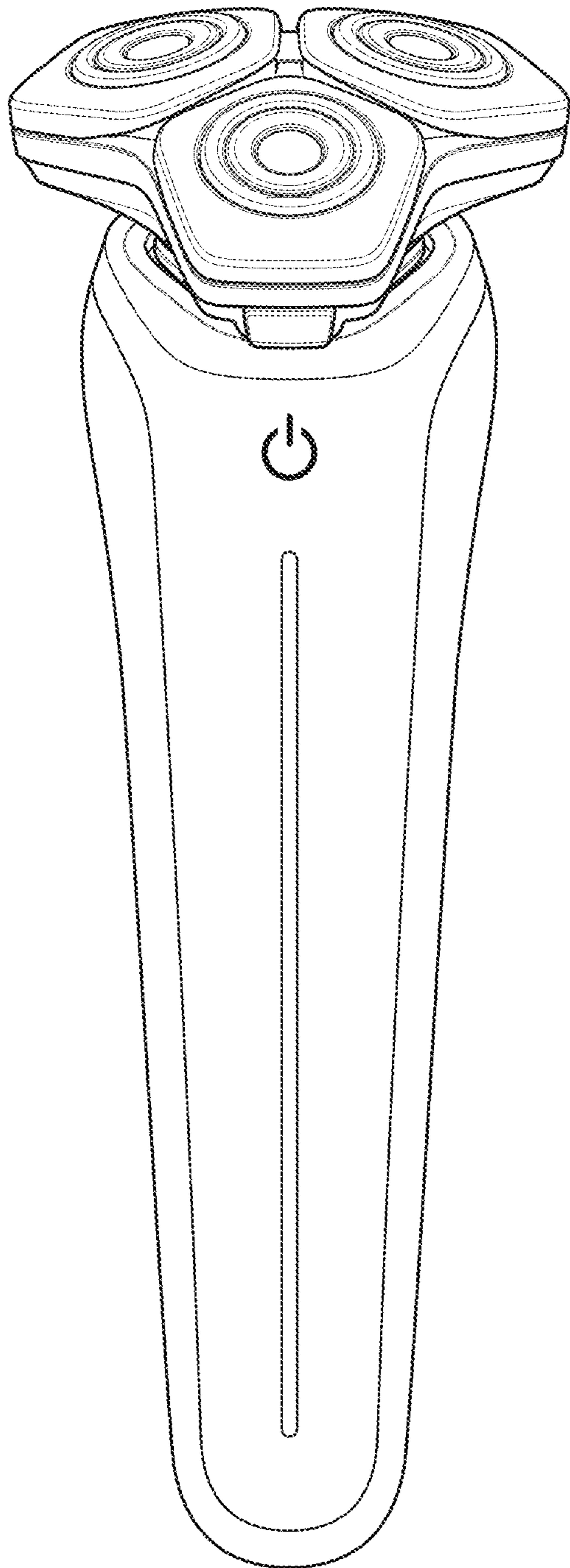


FIG. 2

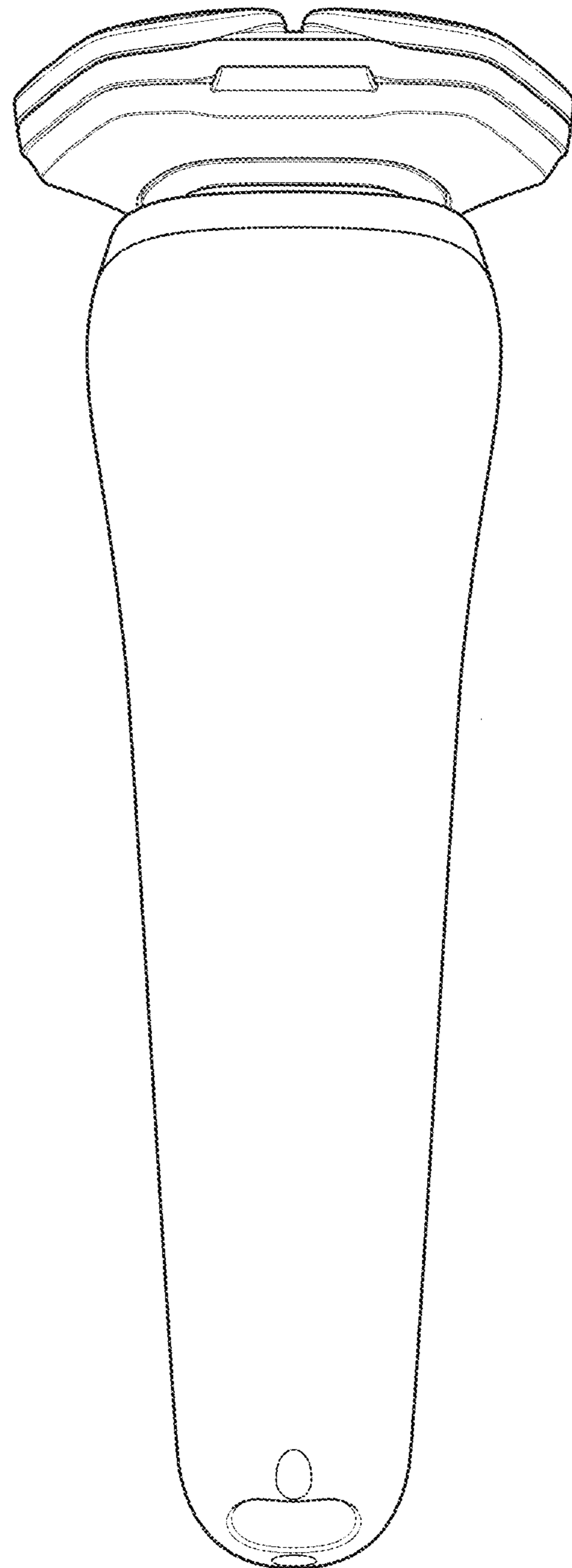


FIG. 3

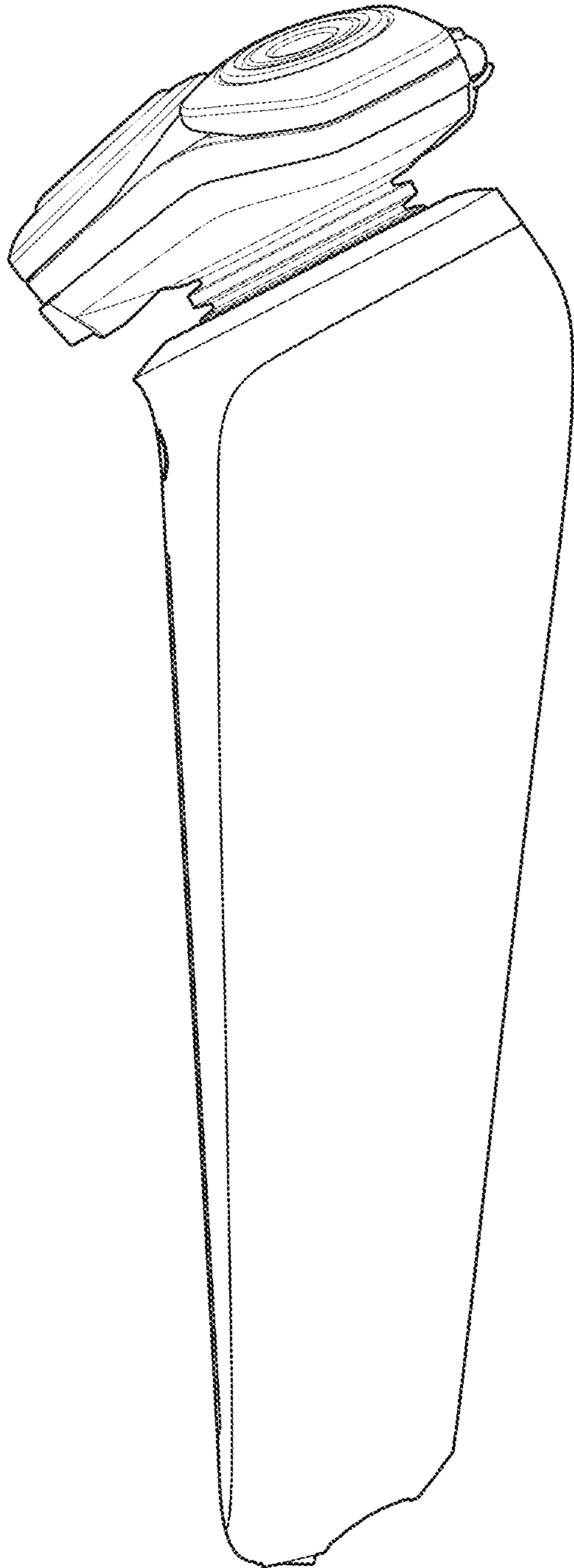


FIG. 4

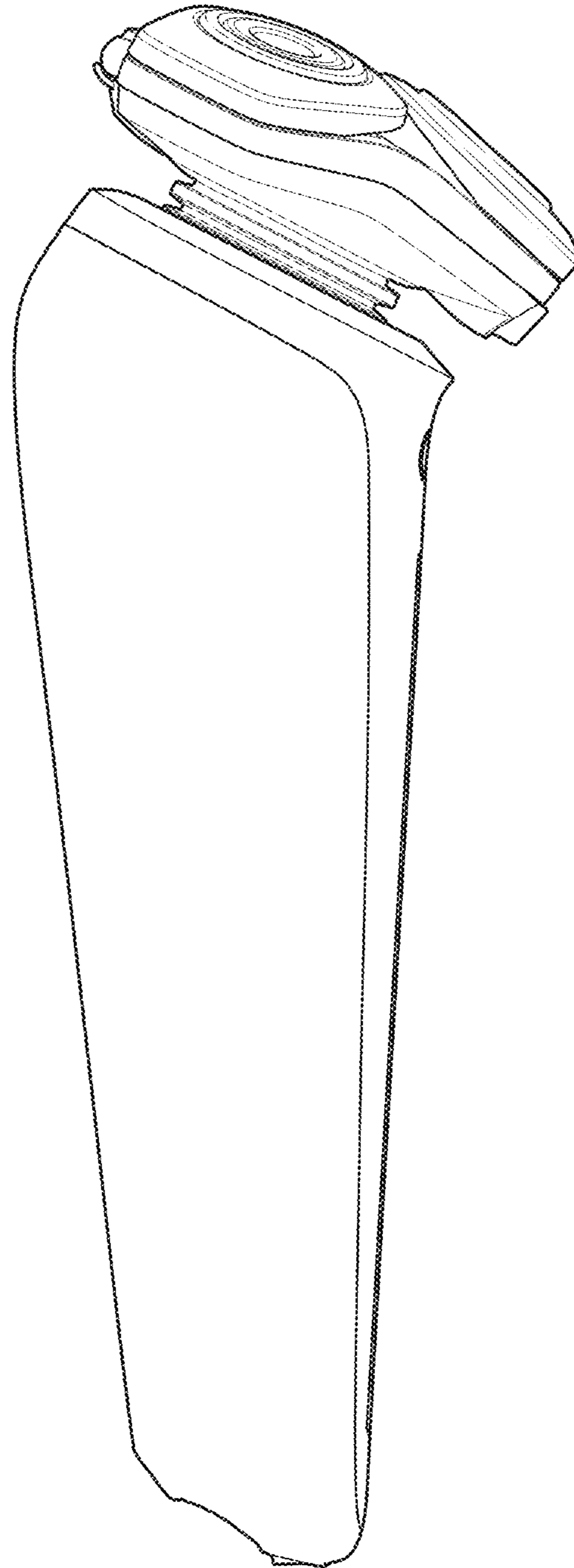


FIG. 5

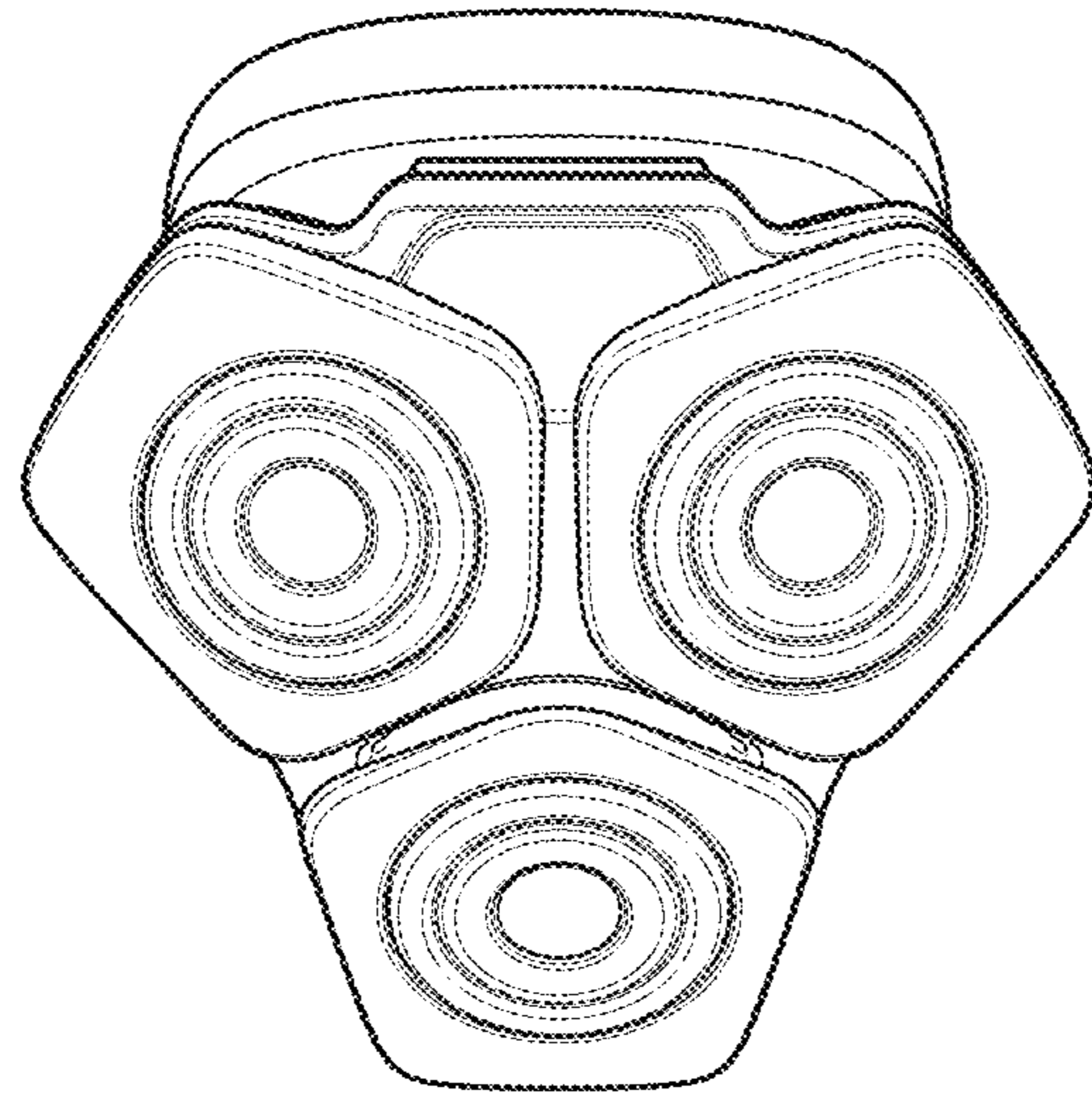


FIG. 6

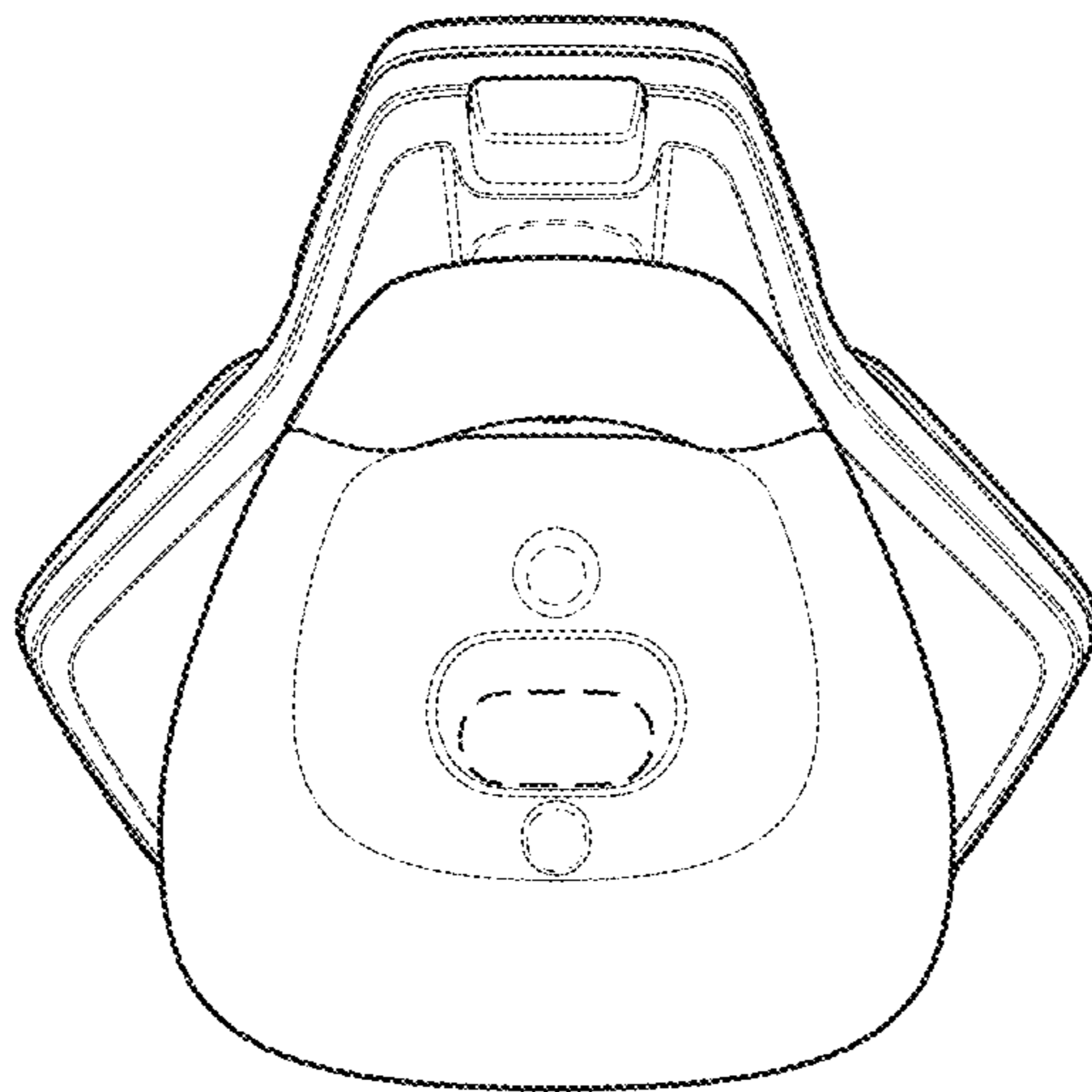


FIG. 7