



US00D932698S

(12) **United States Design Patent** (10) **Patent No.:** **US D932,698 S**
Van Roosmalen et al. (45) **Date of Patent:** **** Oct. 5, 2021**

(54) **SHAVER**

Primary Examiner — Jennifer Rivard

(71) Applicant: **KONINKLIJKE PHILIPS N.V.**,
Eindhoven (NL)

(57) **CLAIM**
The ornamental design for a shaver, as shown.

(72) Inventors: **Jos Van Roosmalen**, Amsterdam (NL);
Frank Verbrugge, Rosmalen (NL);
Jens Andersson, Amsterdam (NL);
Roel Krooshof, Bilthoven (NL); **Simon Van Anken**, Amsterdam (NL); **Peter Gal**, Amsterdam (NL); **Lieven Adriaenssen**, Vilvoorde (BE); **Roshan Hakkim**, Amsterdam (NL); **Mingshuo Zhang**, Amstelveen (NL)

DESCRIPTION

(73) Assignee: **KONINKLIJKE PHILIPS N.V.**,
Eindhoven (NL)

(**) Term: **15 Years**

(21) Appl. No.: **29/723,218**

(22) Filed: **Feb. 5, 2020**

(51) **LOC (13) Cl.** **28-03**

(52) **U.S. Cl.**
USPC **D28/50**

(58) **Field of Classification Search**
USPC D28/49–54

(Continued)

(56) **References Cited**

U.S. PATENT DOCUMENTS

D326,738 S * 6/1992 Mauro D28/50
D389,276 S * 1/1998 Bone D28/50

(Continued)

OTHER PUBLICATIONS

Ultimate guide to electric shavers 2021, downloaded Feb. 2021, 23 pages <https://www.allaboutrazor.com/corded-electric-shaver/> (Year: 2021).*

FIG. 1 is a perspective view showing the first embodiment of a shaver;
 FIG. 2 is a front elevational view thereof;
 FIG. 3 is a rear elevational view thereof;
 FIG. 4 is a right side elevational view thereof;
 FIG. 5 is a left side elevational view thereof;
 FIG. 6 is a top plan view thereof;
 FIG. 7 is a bottom plan view thereof;
 FIG. 8 is a perspective view showing the second embodiment of a shaver;
 FIG. 9 is a front elevational view thereof;
 FIG. 10 is a rear elevational view thereof;
 FIG. 11 is a right side elevational view thereof;
 FIG. 12 is a left side elevational view thereof;
 FIG. 13 is a top plan view thereof;
 FIG. 14 is a bottom plan view thereof;
 FIG. 15 is a perspective view showing a third embodiment of a shaver;
 FIG. 16 is a front elevational view thereof;
 FIG. 17 is a rear elevational view thereof;
 FIG. 18 is a right side elevational view thereof;
 FIG. 19 is a left side elevational view thereof;
 FIG. 20 is a top plan view thereof;
 FIG. 21 is a bottom plan view thereof;
 FIG. 22 is a perspective view showing the fourth embodiment of a shaver;
 FIG. 23 is a front elevational view thereof;
 FIG. 24 is a rear elevational view thereof;
 FIG. 25 is a right side elevational view thereof;
 FIG. 26 is a left side elevational view thereof;
 FIG. 27 is a top plan view thereof;
 FIG. 28 is a bottom plan view thereof;
 FIG. 29 is a perspective view showing the fifth embodiment of a shaver;
 FIG. 30 is a front elevational view thereof;
 FIG. 31 is a rear elevational view thereof;
 FIG. 32 is a right side elevational view thereof;

(Continued)

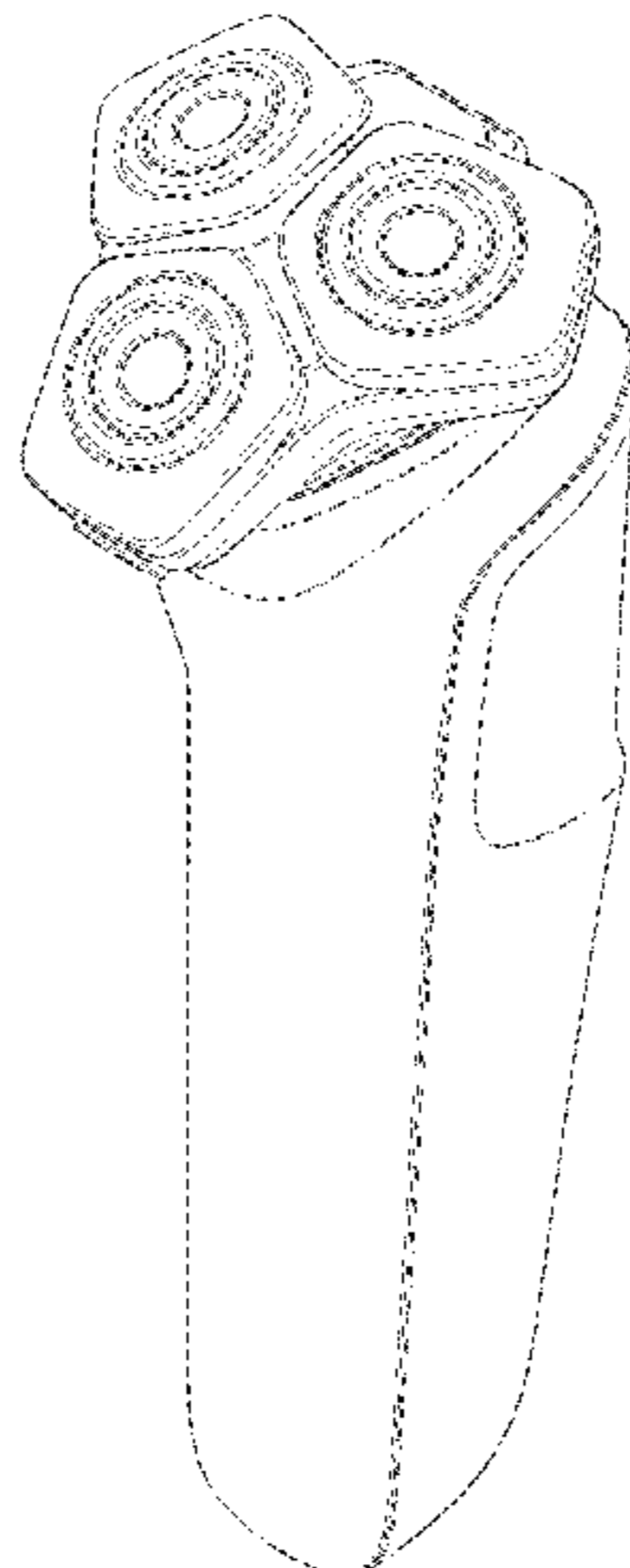


FIG. 33 is a left side elevational view thereof;
 FIG. 34 is a top plan view thereof;
 FIG. 35 is a bottom plan view thereof;
 FIG. 36 is a perspective view showing a sixth embodiment of a shaver;
 FIG. 37 is a front elevational view thereof;
 FIG. 38 is a rear elevational view thereof;
 FIG. 39 is a right side elevational view thereof;
 FIG. 40 is a left side elevational view thereof;
 FIG. 41 is a top plan view thereof;
 FIG. 42 is a bottom plan view thereof;
 FIG. 43 is a perspective view showing a seventh embodiment of a shaver;
 FIG. 44 is a front elevational view thereof;
 FIG. 45 is a rear elevational view thereof;
 FIG. 46 is a right side elevational view thereof;
 FIG. 47 is a left side elevational view thereof;
 FIG. 48 is a top plan view thereof; and,
 FIG. 49 is a bottom plan view thereof.

1 Claim, 42 Drawing Sheets

(58) Field of Classification Search

CPC B26B 19/14–18; B26B 19/38; B26B 19/3853–3893; B26B 19/3806–384
 See application file for complete search history.

(56) References Cited

U.S. PATENT DOCUMENTS

D405,922 S * 2/1999 Bone D28/50
 D513,342 S * 12/2005 Sulik D28/50
 D520,681 S * 5/2006 Beedham D28/50
 D520,682 S * 5/2006 Butcher D28/50
 D542,473 S * 5/2007 McLachlan D28/50
 D544,999 S * 6/2007 Prat-Pfister D28/50
 D546,001 S * 7/2007 McLachlan D28/50
 D549,873 S * 8/2007 Prat-Pfister D28/50
 D550,901 S * 9/2007 Masee D28/50
 D563,599 S * 3/2008 Prat-Pfister D28/50

D593,252 S * 5/2009 Masuda D28/50
 D601,301 S * 9/2009 Bao D28/50
 D604,013 S * 11/2009 Qiu D28/50
 D608,053 S * 1/2010 Vetu D28/50
 D620,198 S * 7/2010 Nitz D28/50
 D620,641 S * 7/2010 Nitz D28/50
 D620,642 S * 7/2010 Nitz D28/50
 D637,759 S * 5/2011 Byun D28/50
 D651,746 S * 1/2012 Prat-Pfister D28/50
 D654,223 S * 2/2012 Aulwes D28/50
 D675,779 S * 2/2013 Vetu D28/50
 D695,961 S * 12/2013 Prat-Pfister D28/50
 D695,962 S * 12/2013 Prat-Pfister D28/50
 D698,491 S * 1/2014 Ellison D28/50
 D737,514 S * 8/2015 Roland D28/50
 D737,515 S * 8/2015 Roland D28/50
 D738,042 S * 9/2015 Roland D28/50
 D748,857 S * 2/2016 Boulanger D28/50
 D758,014 S * 5/2016 Smith D28/50
 D758,015 S * 5/2016 Prat-Pfister D28/50
 D758,017 S * 5/2016 Smith D28/54
 D758,659 S * 6/2016 Smith D28/50
 D758,660 S * 6/2016 Prat-Pfister D28/50
 D776,348 S * 1/2017 Frankel D28/50
 D777,375 S * 1/2017 Frankel D28/50
 D777,376 S * 1/2017 Frankel D28/50
 D808,077 S * 1/2018 Boulanger D28/50
 D808,591 S * 1/2018 Prat-Pfister D28/50
 D812,301 S * 3/2018 Yan D28/50
 D819,274 S * 5/2018 Yan D28/50
 D821,032 S * 6/2018 Prat-Pfister D28/50
 D824,103 S * 7/2018 Yan D28/50
 D824,595 S * 7/2018 Yan D28/50
 D844,242 S * 3/2019 Yan D28/50
 D844,243 S * 3/2019 Chen D28/50
 D848,071 S * 5/2019 Prat-Pfister D28/50
 D848,072 S * 5/2019 Prat-Pfister D28/50
 D856,583 S * 8/2019 Chen D28/50
 D858,880 S * 9/2019 Lu D28/50
 D858,881 S * 9/2019 Lu D28/50
 D861,986 S * 10/2019 Wang D28/50
 D880,064 S * 3/2020 Andersson D28/50
 D884,972 S * 5/2020 Andersson D28/50
 D889,042 S * 6/2020 Andersson D28/50
 D902,486 S * 11/2020 Andersson D28/50

* cited by examiner

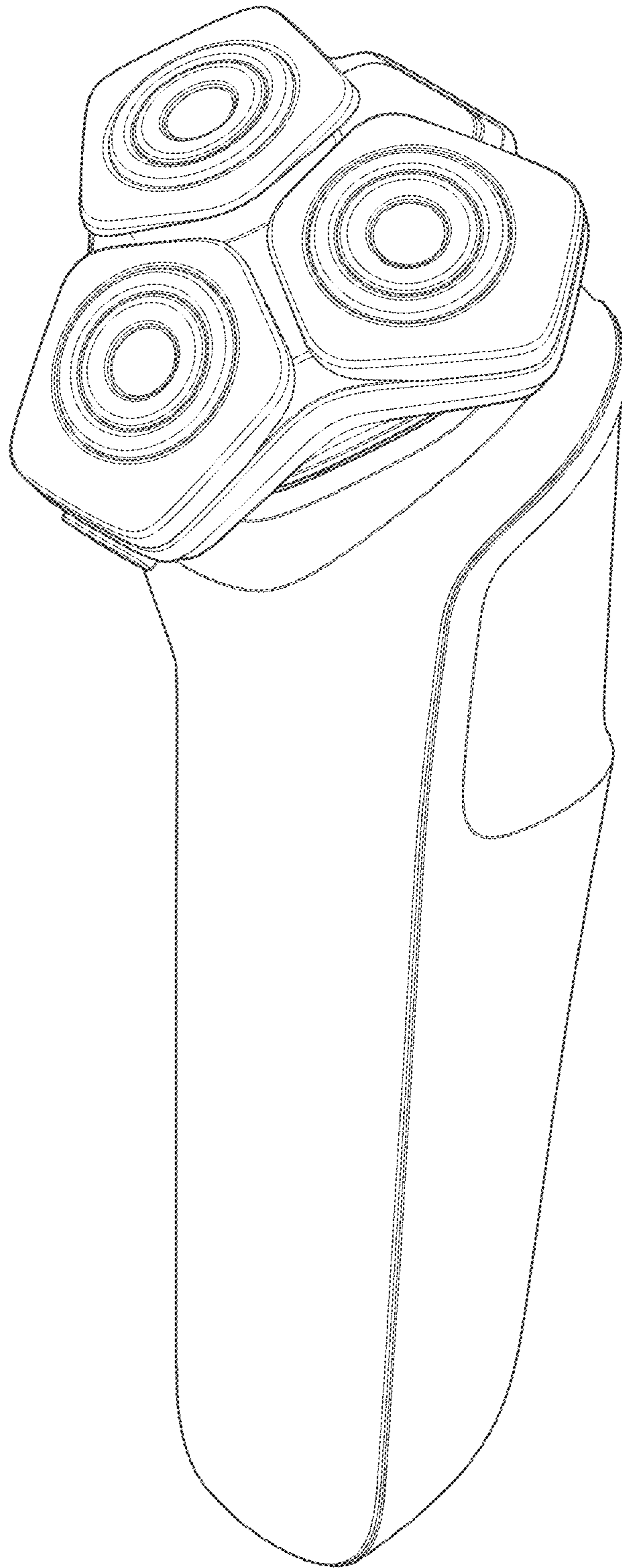


FIG. 1

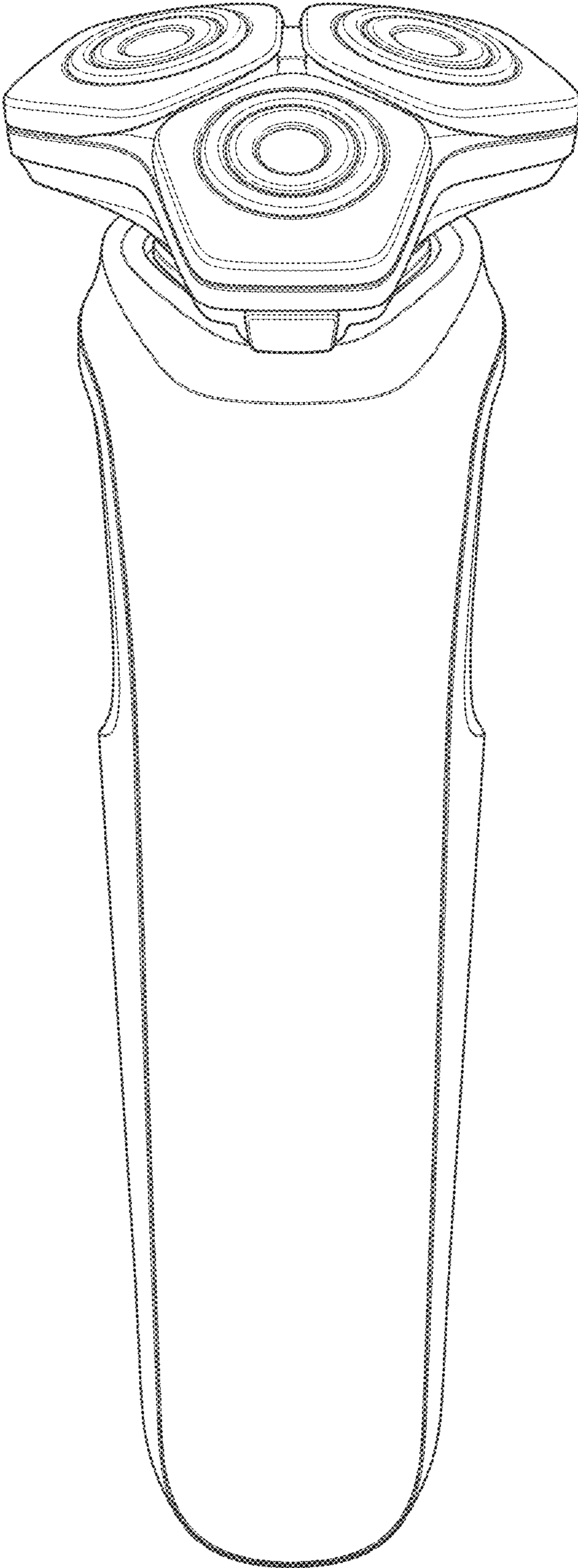


FIG. 2

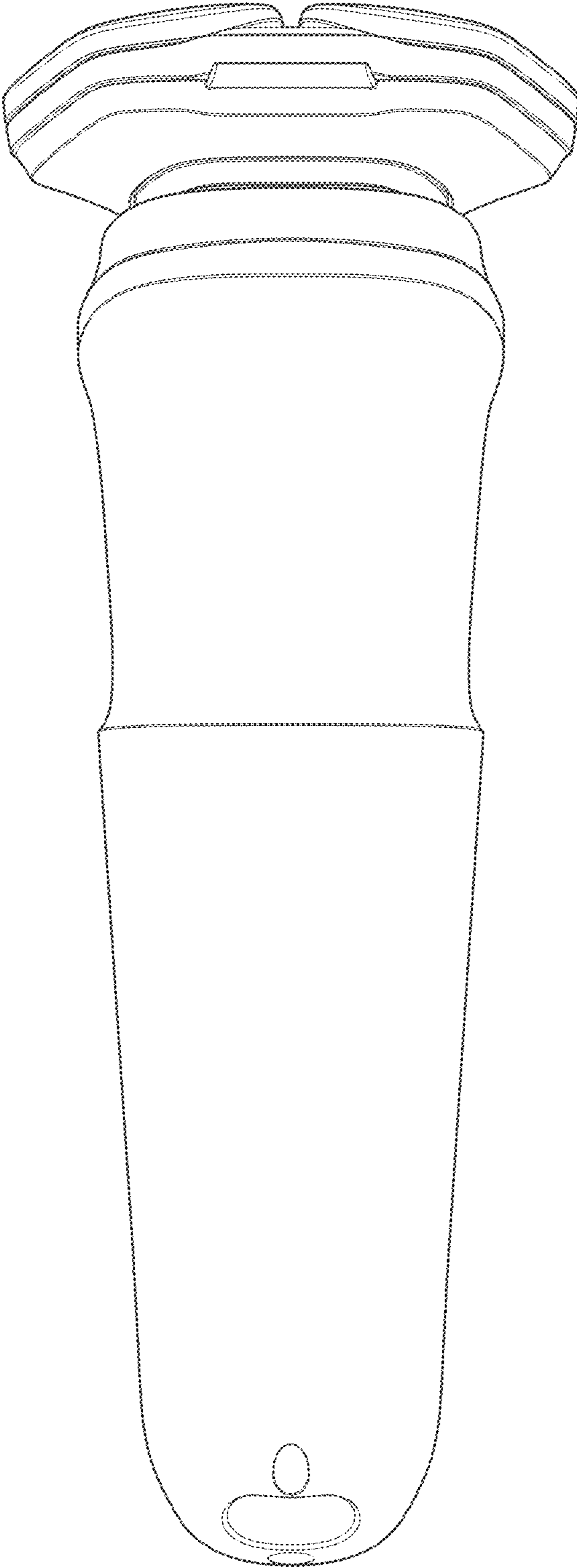


FIG. 3

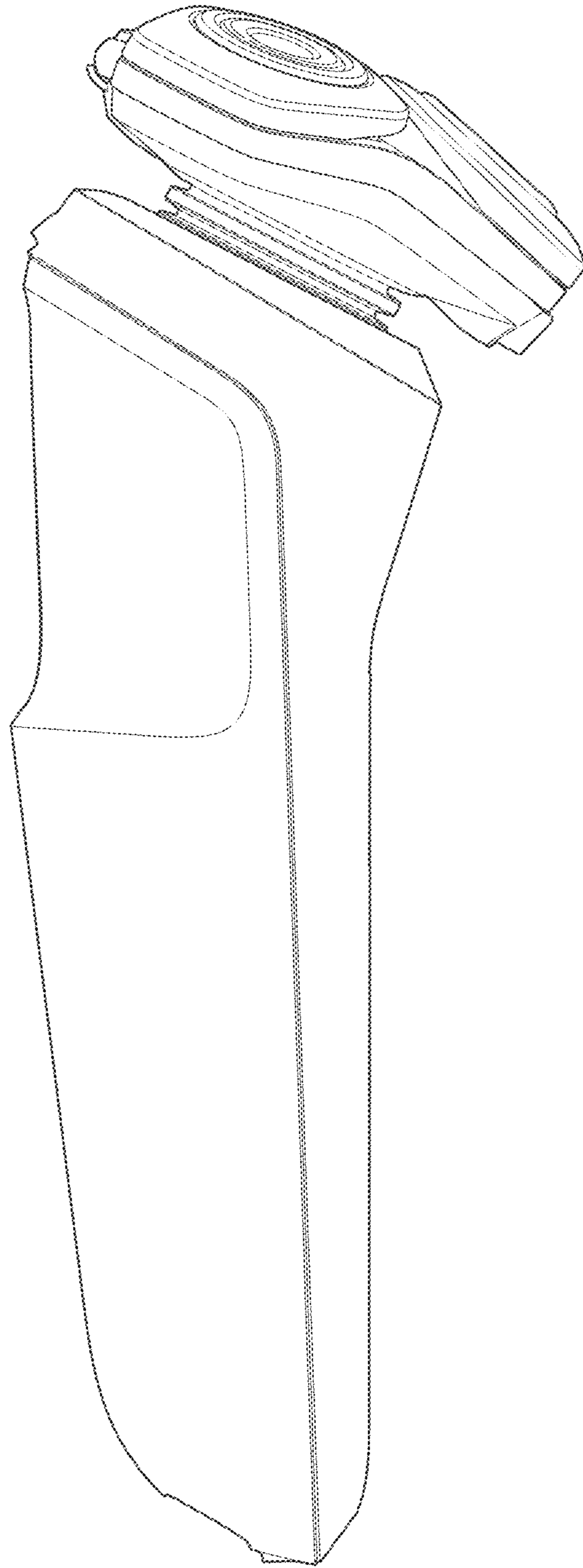


FIG. 4

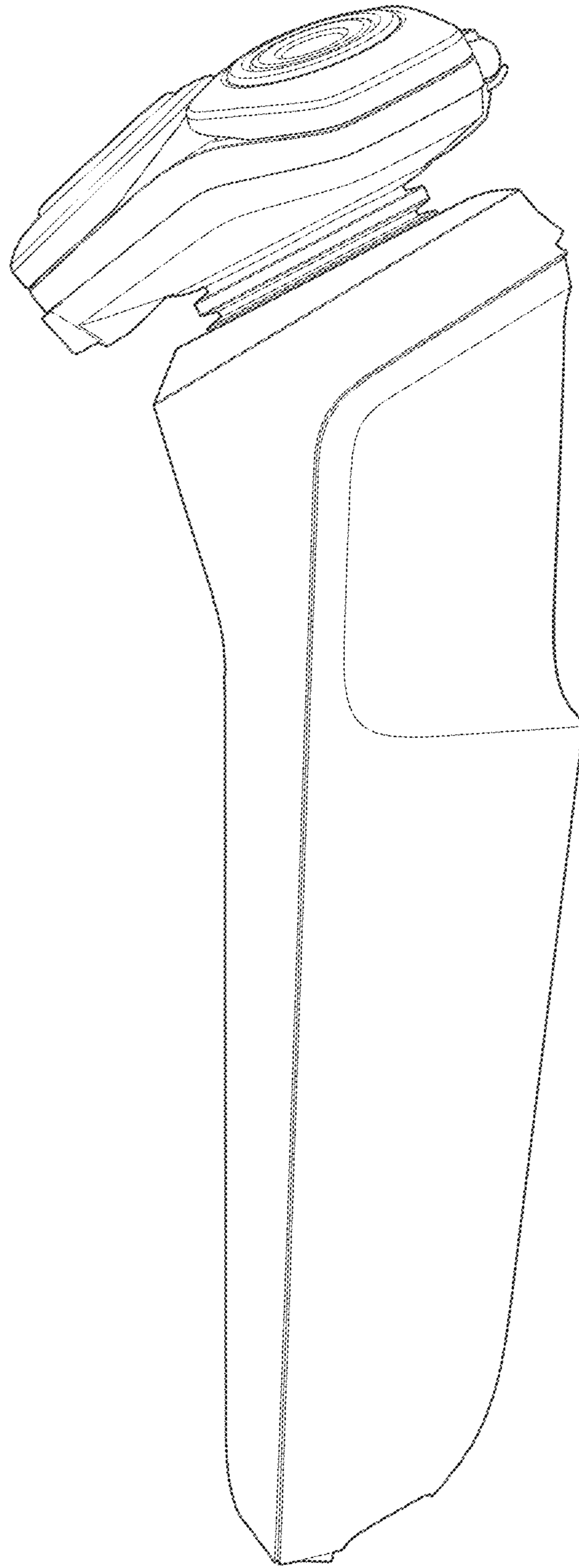


FIG. 5

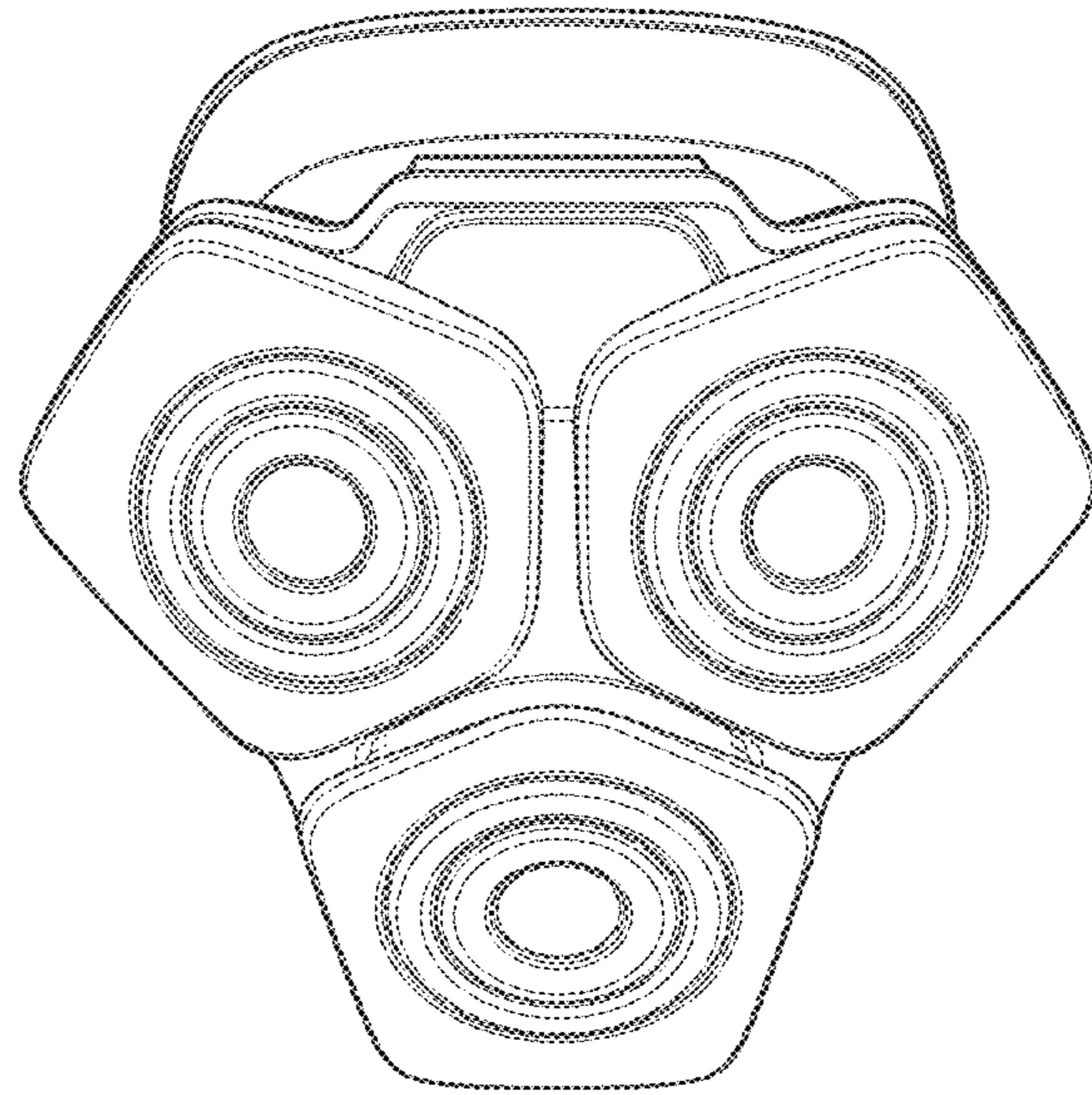


FIG. 6

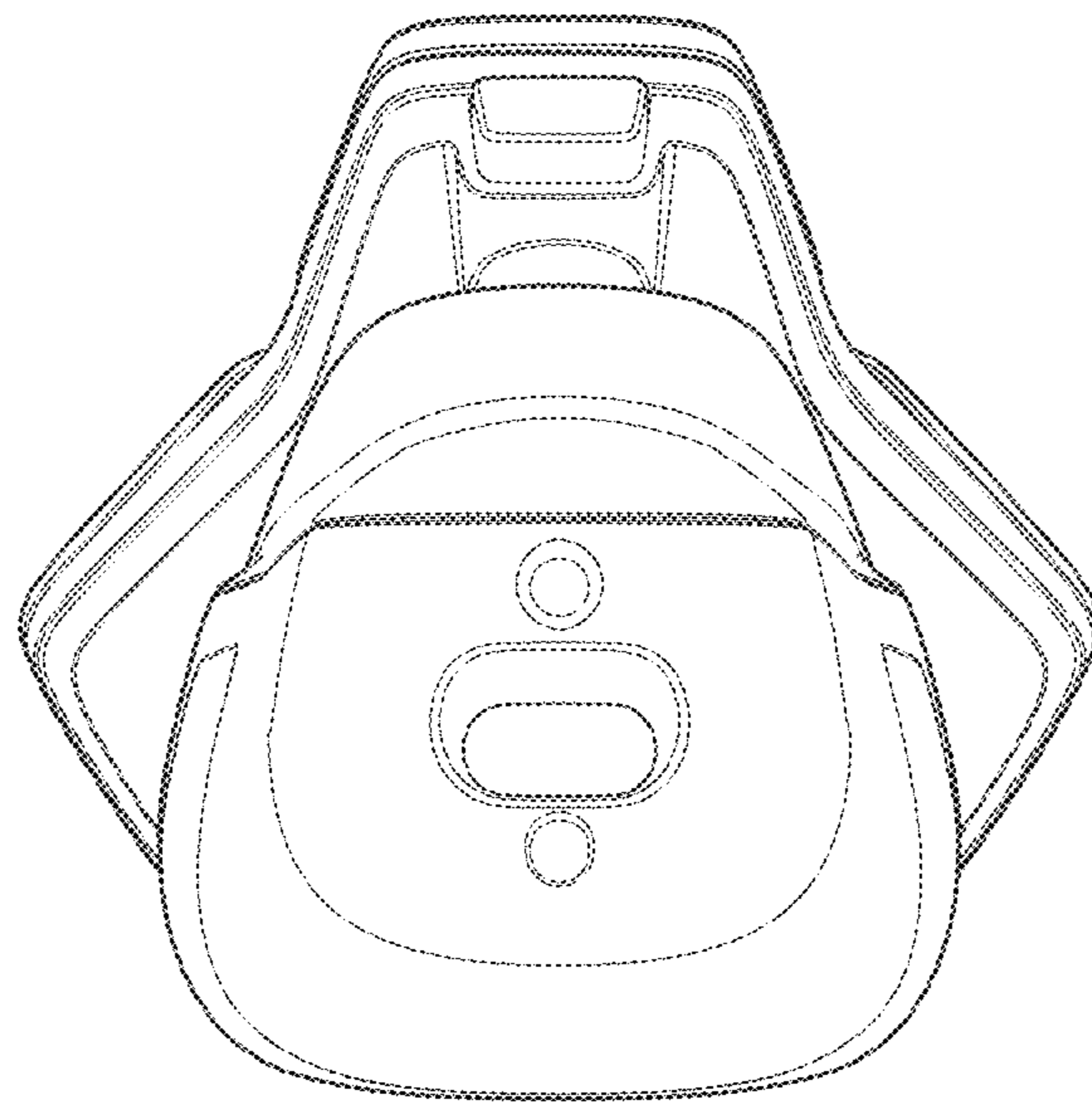


FIG. 7

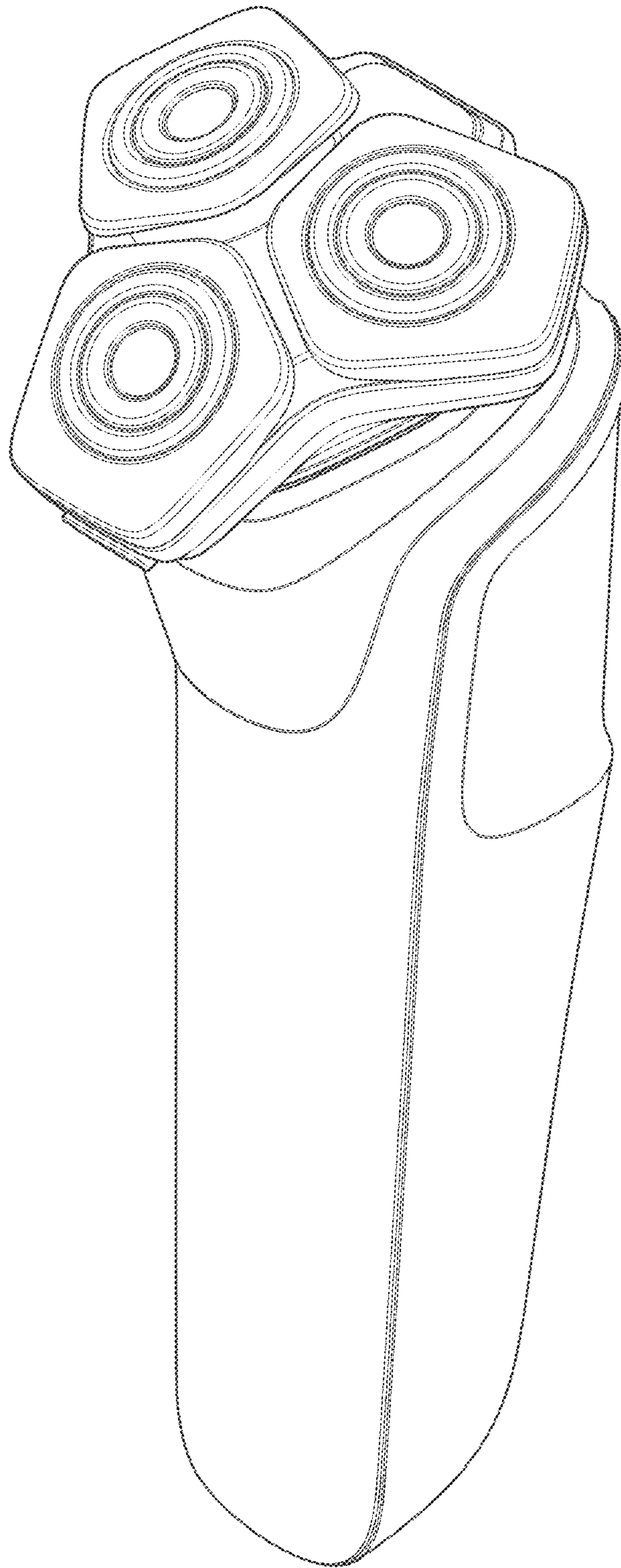


FIG. 8

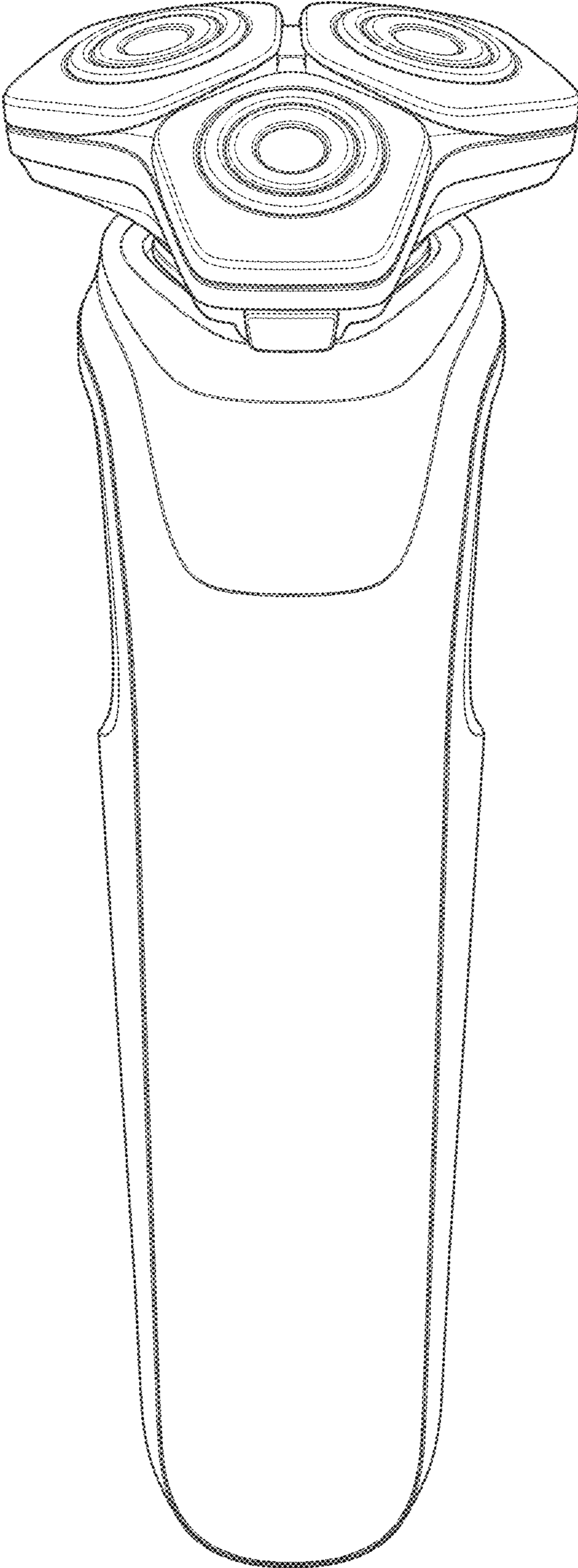


FIG. 9

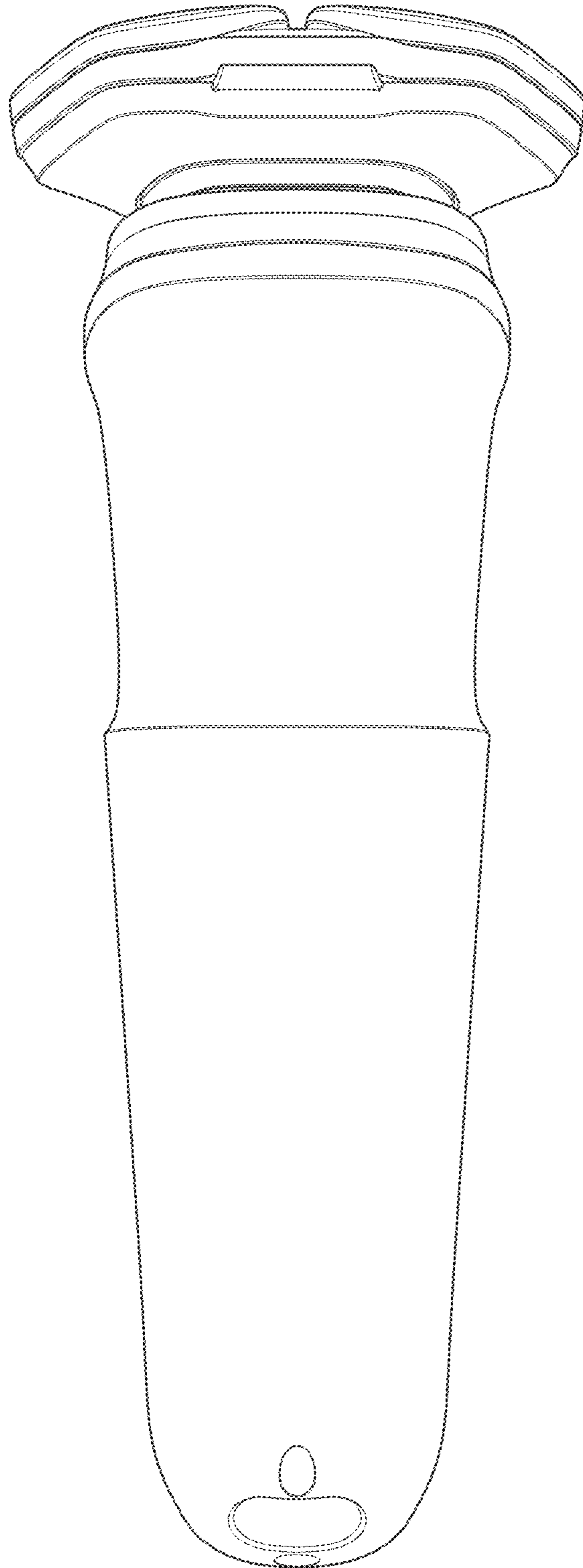


FIG. 10

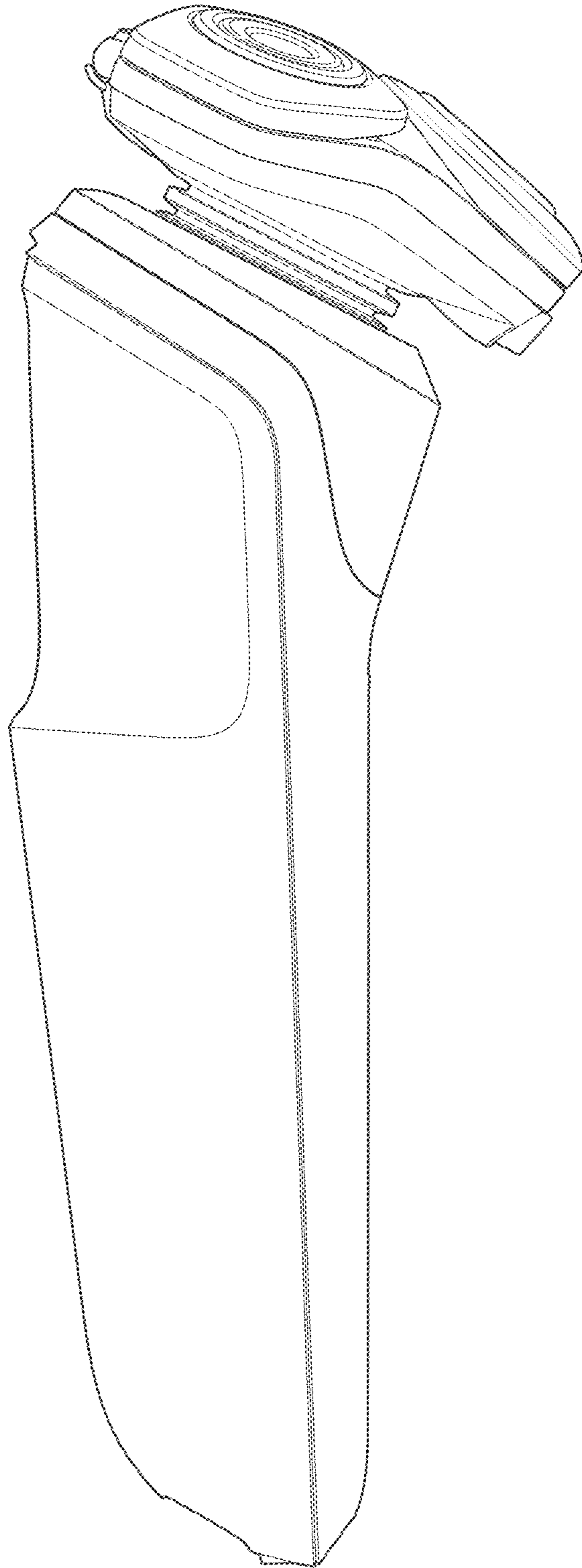


FIG. 11

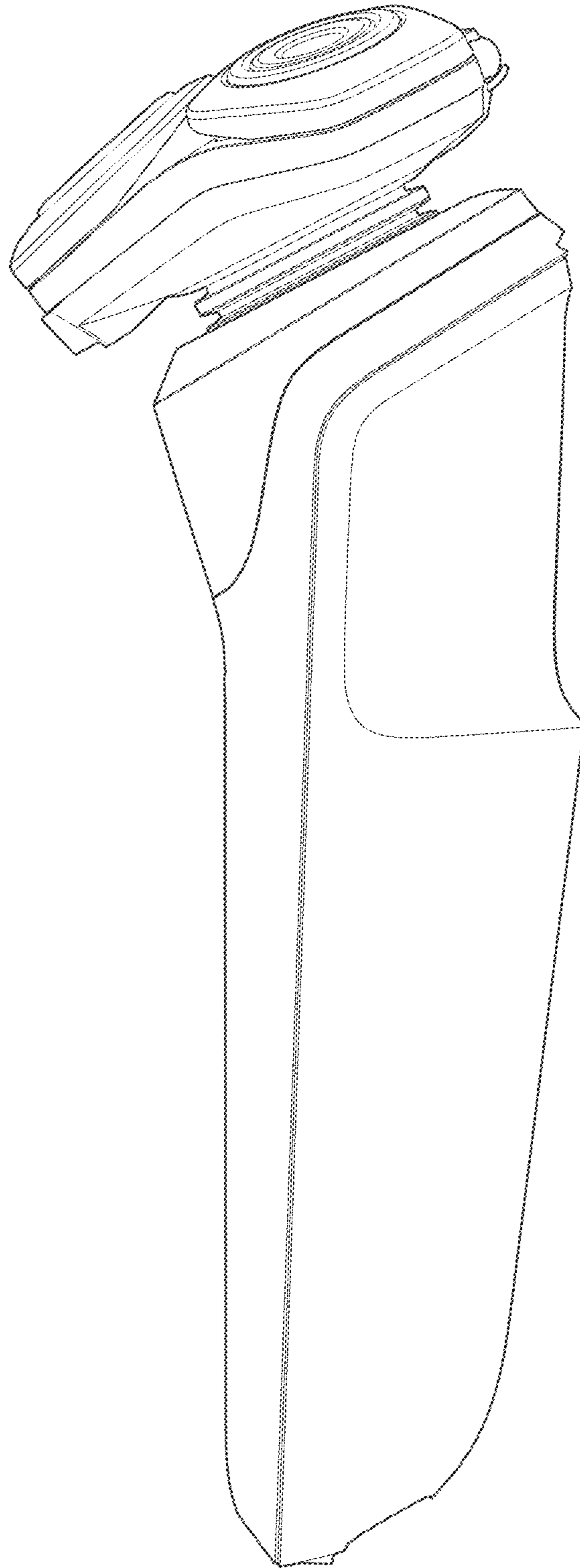


FIG. 12

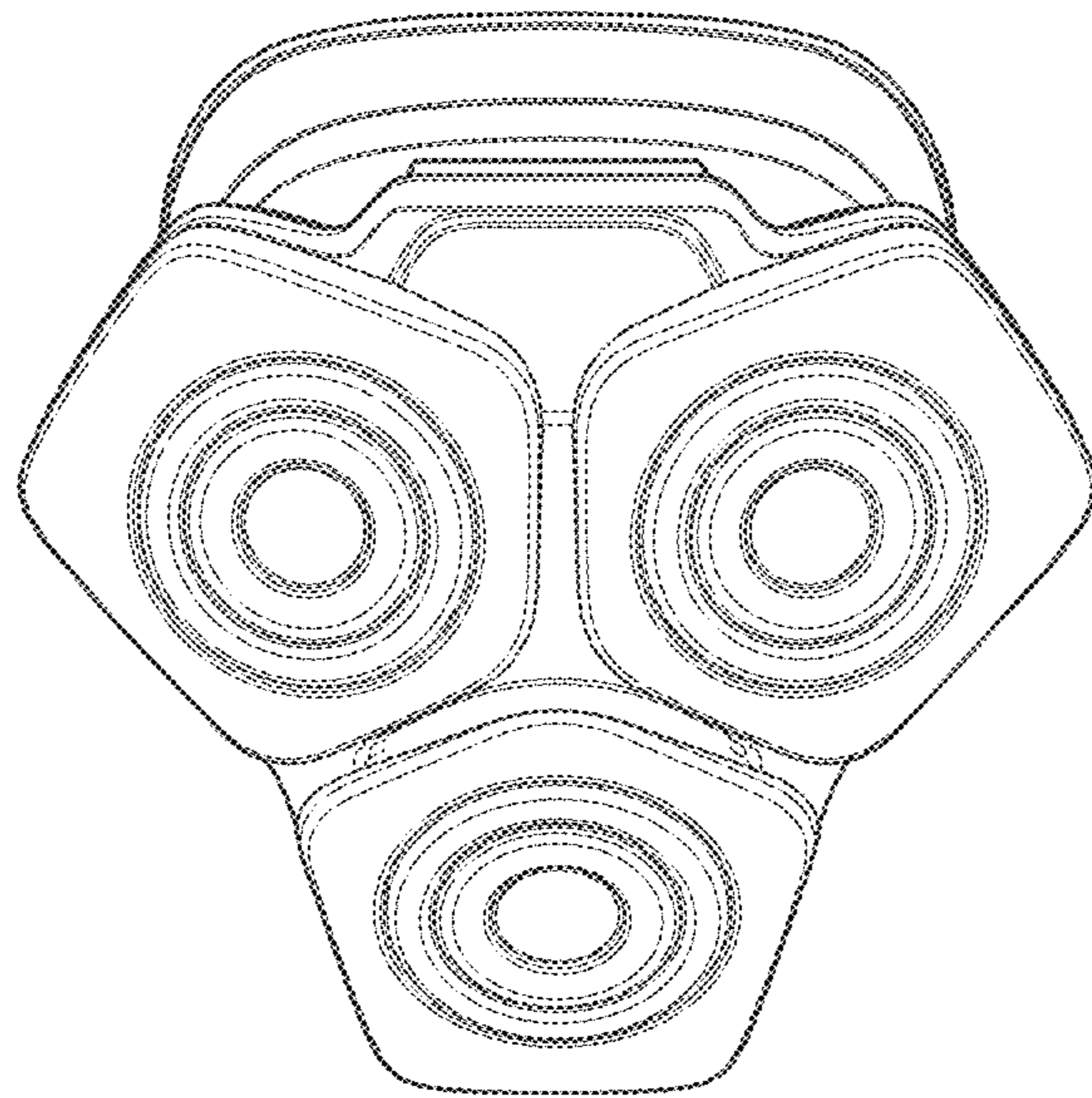


FIG. 13

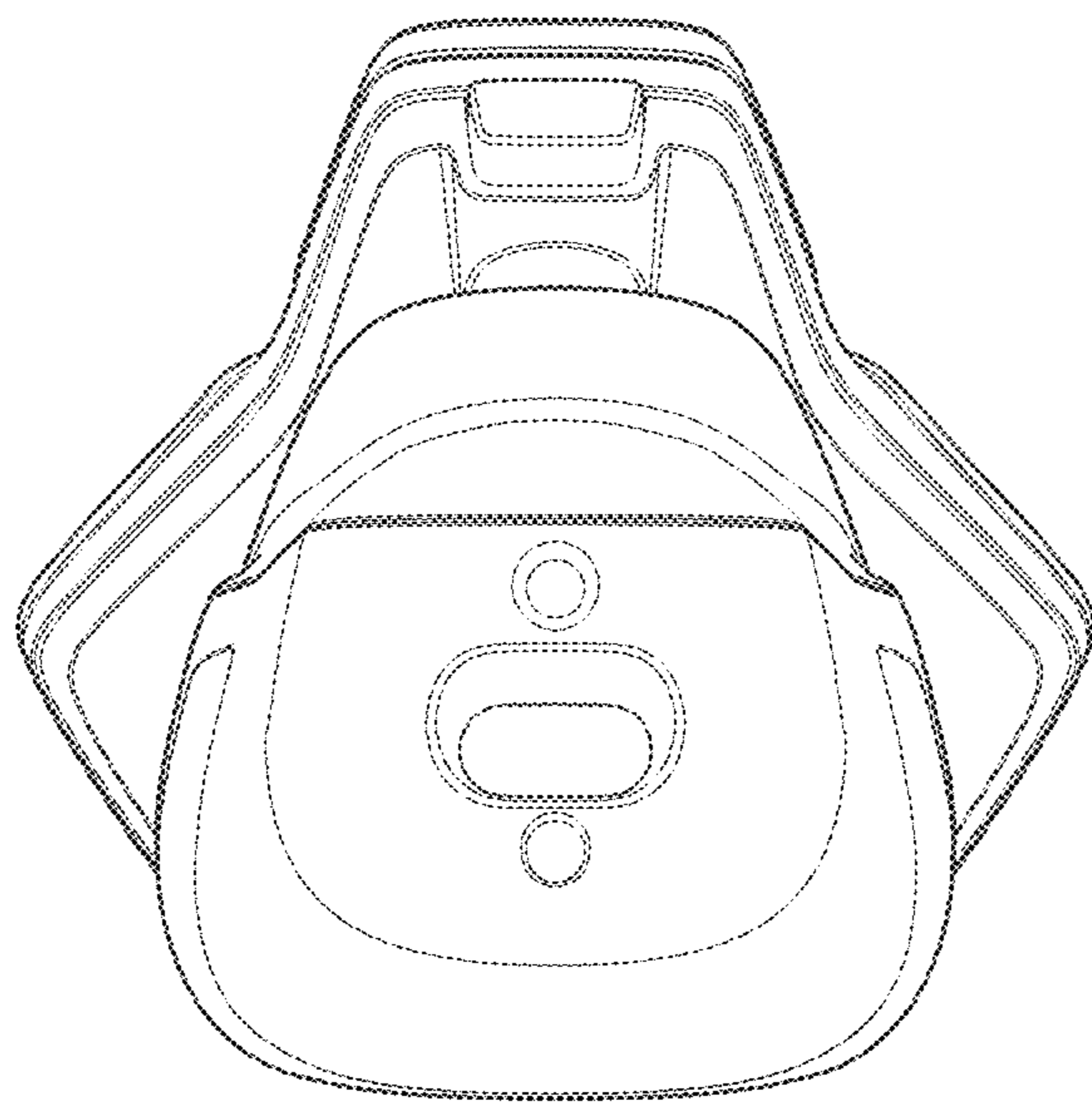


FIG. 14

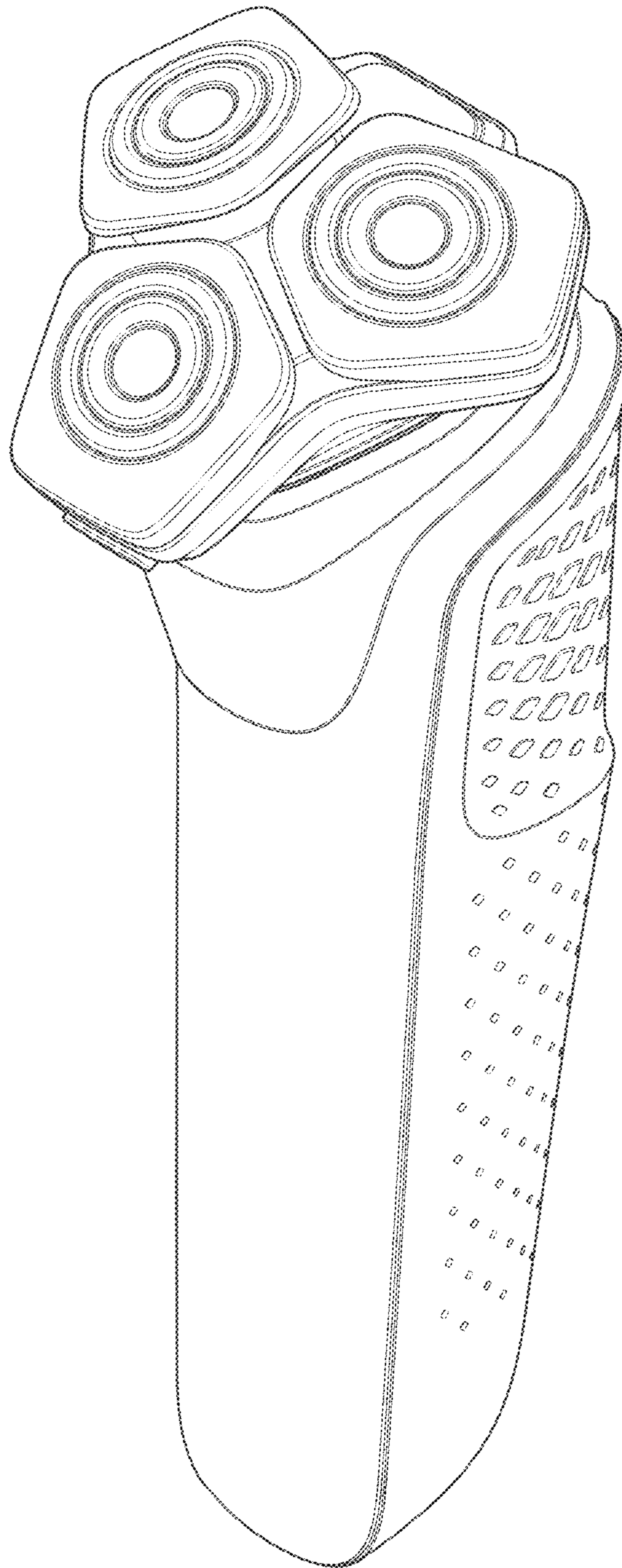


FIG. 15

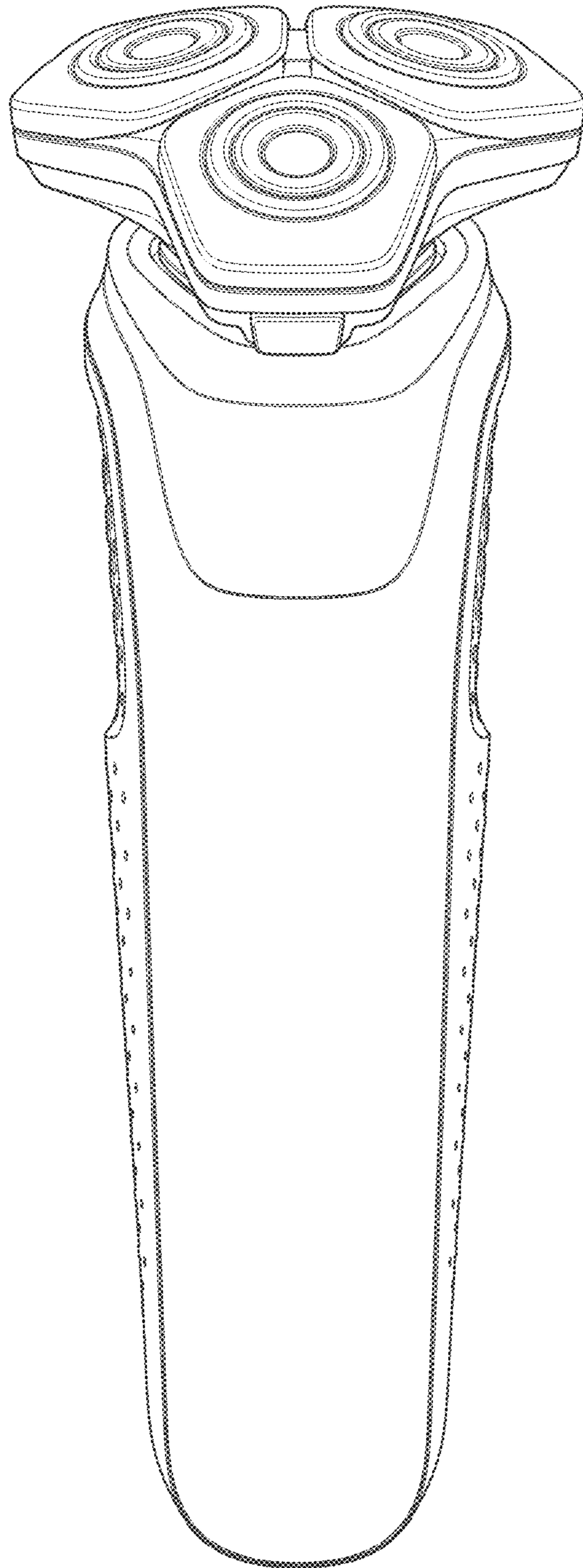


FIG. 16

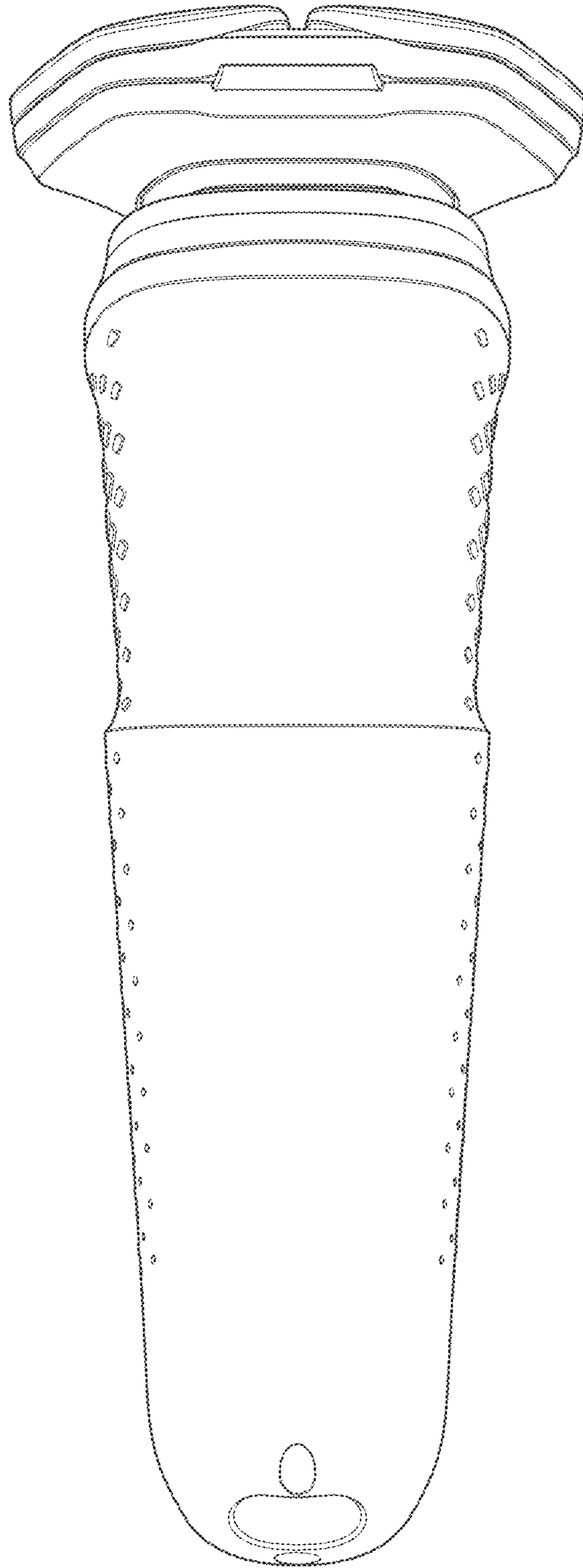


FIG. 17

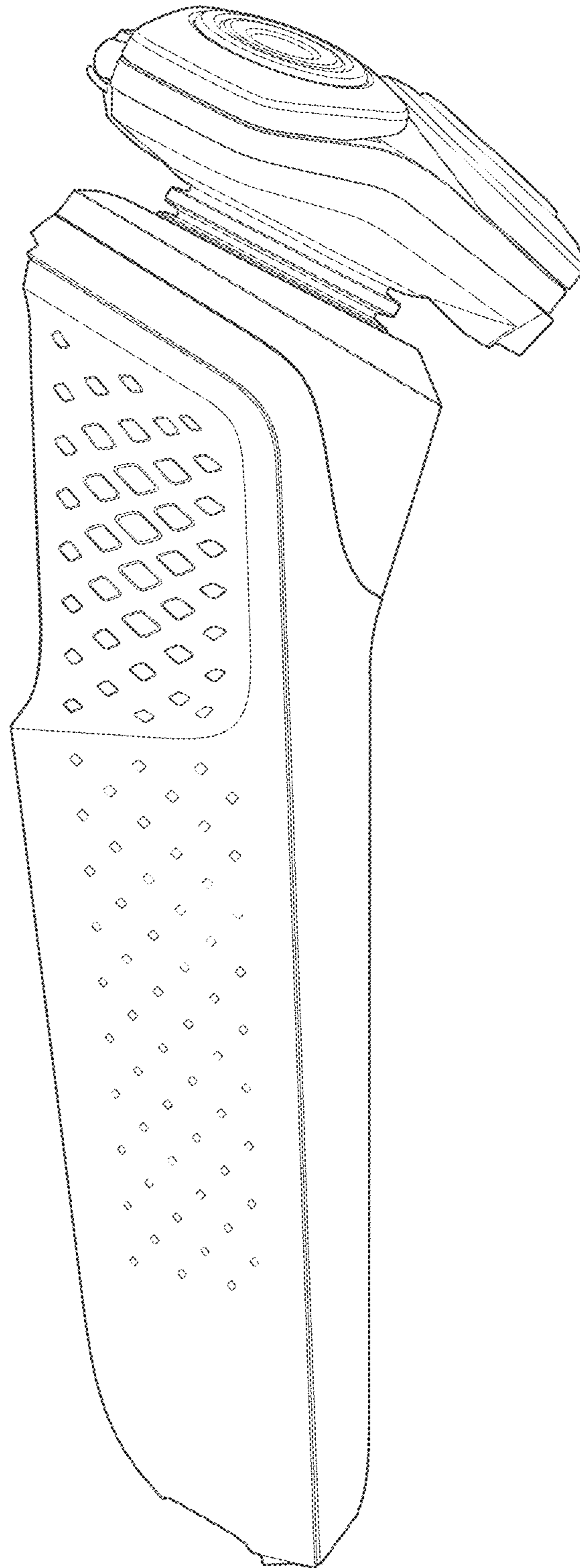


FIG. 18

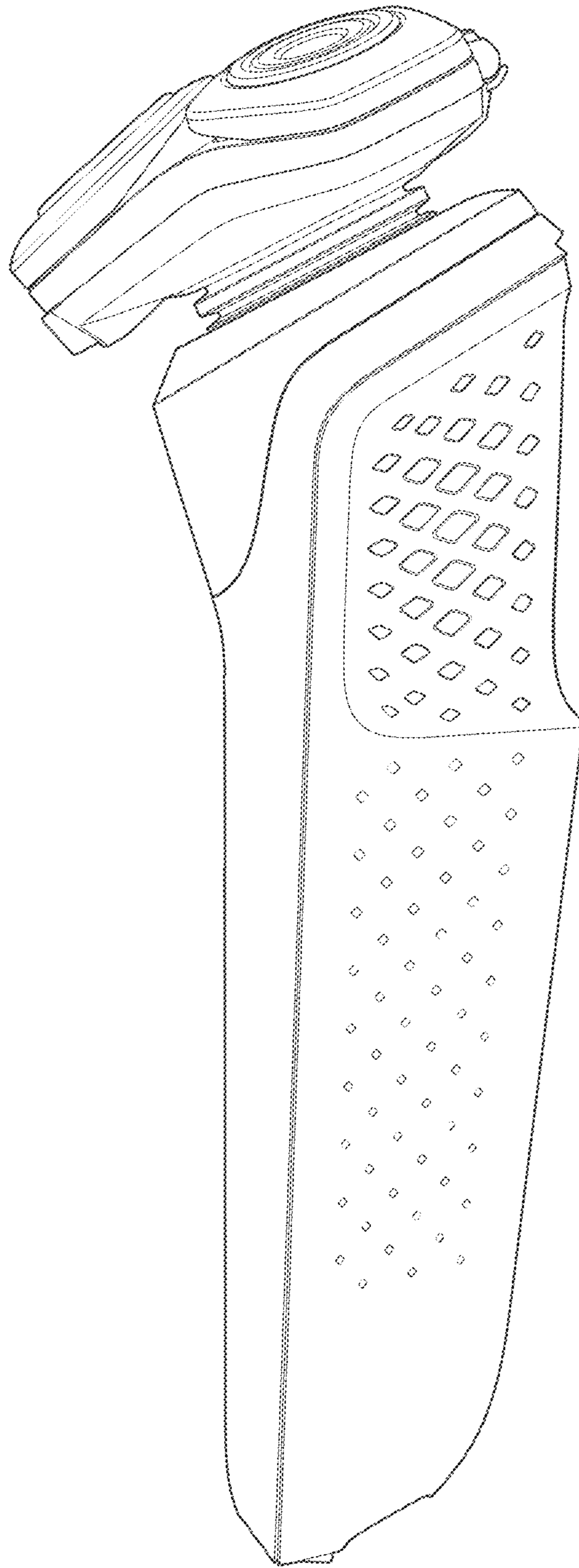


FIG. 19

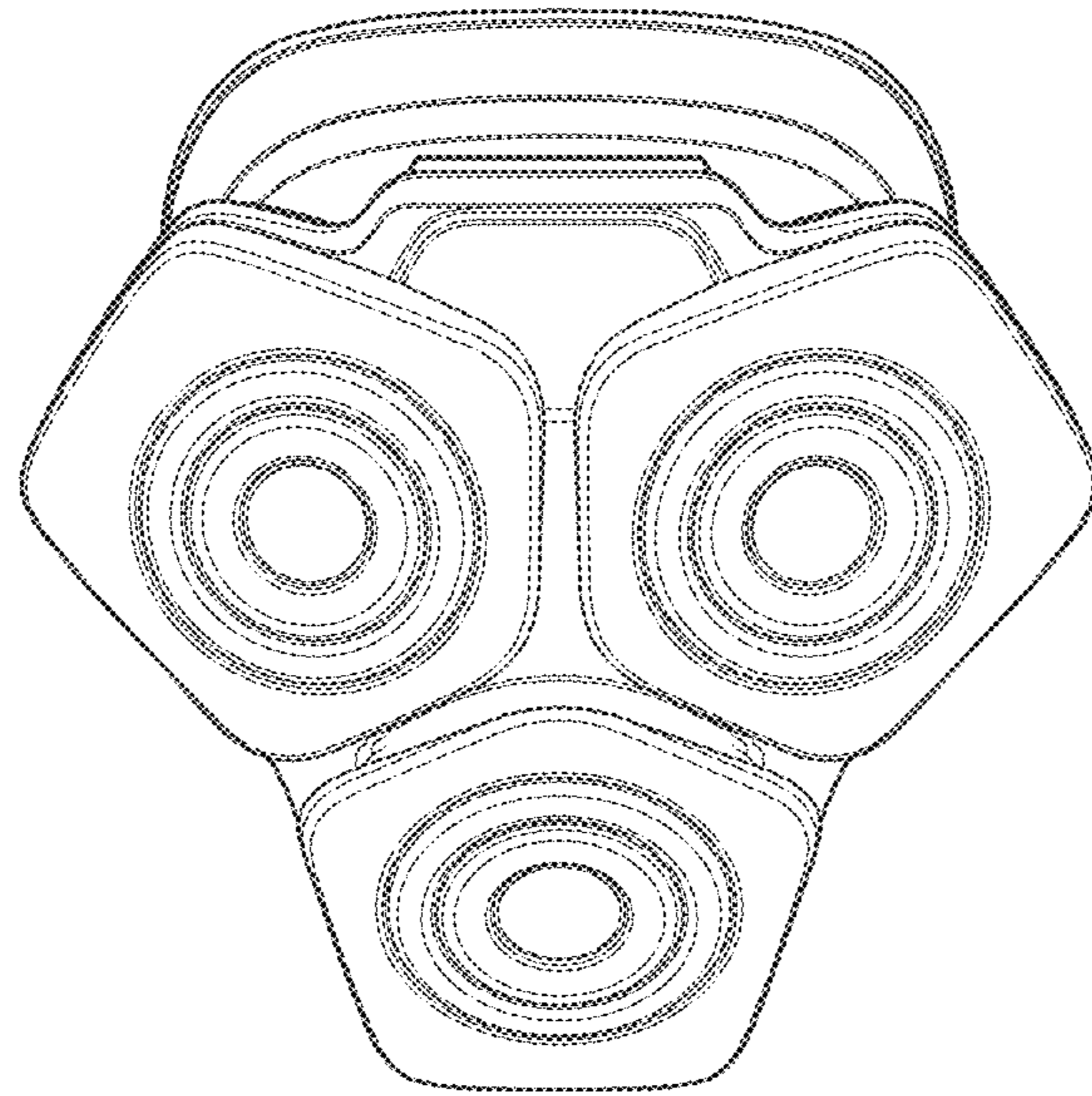


FIG. 20

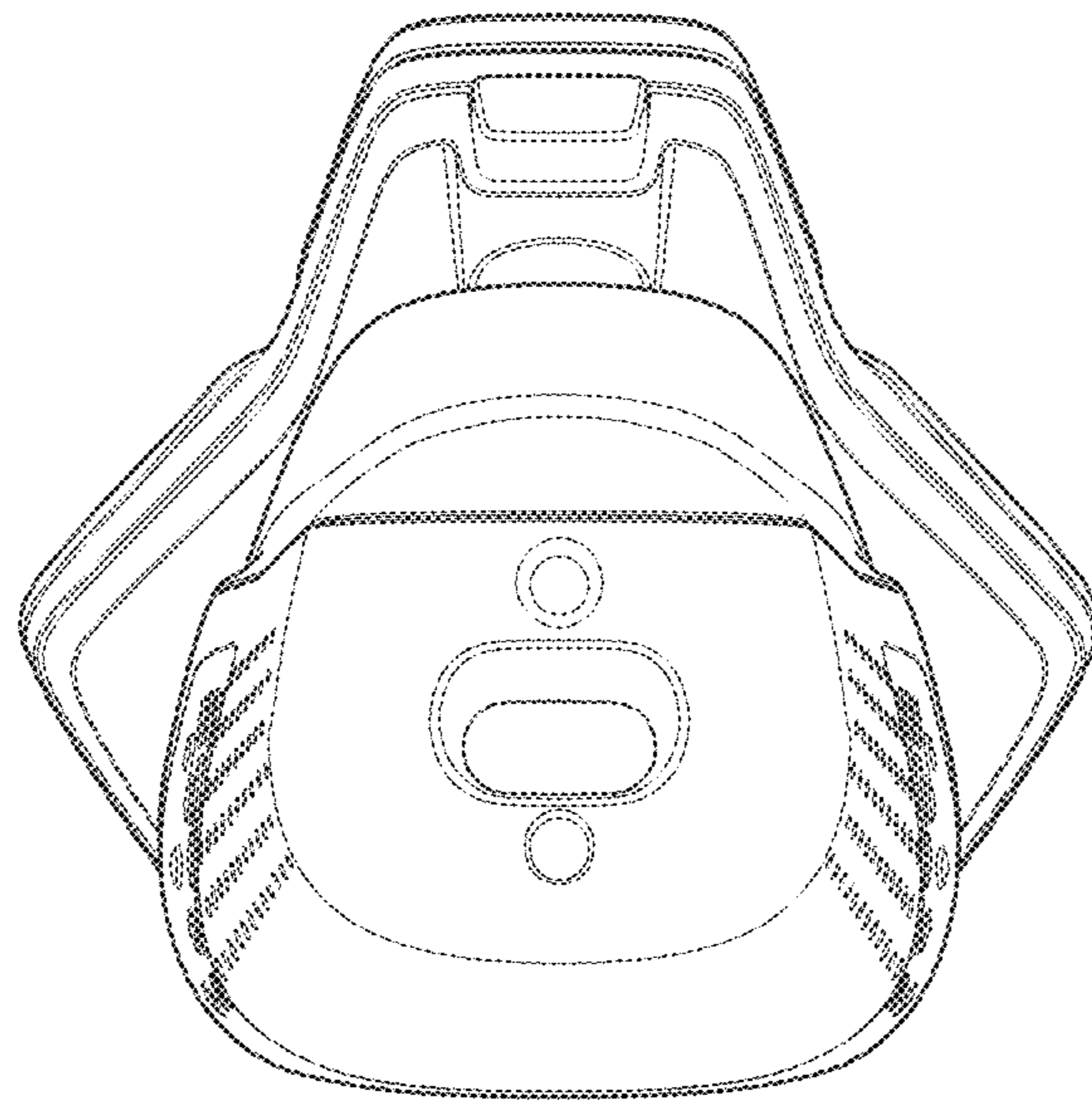


FIG. 21

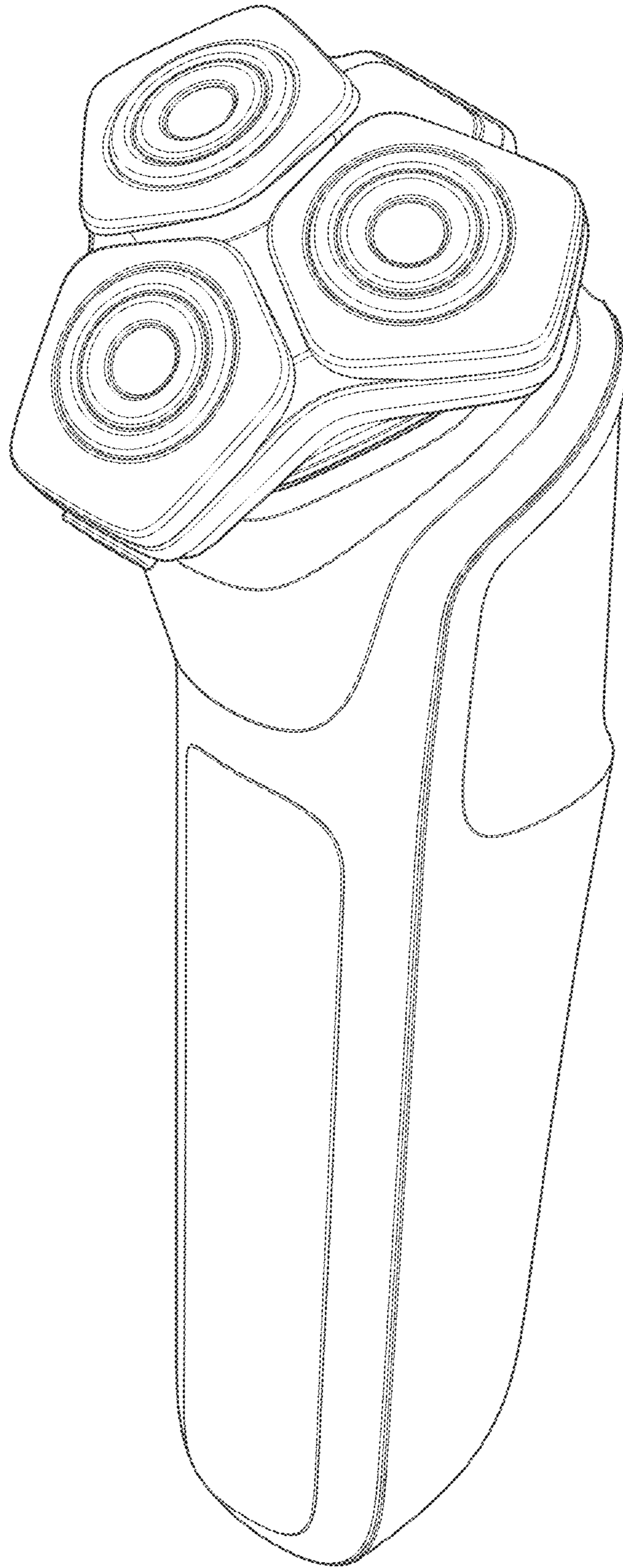


FIG. 22

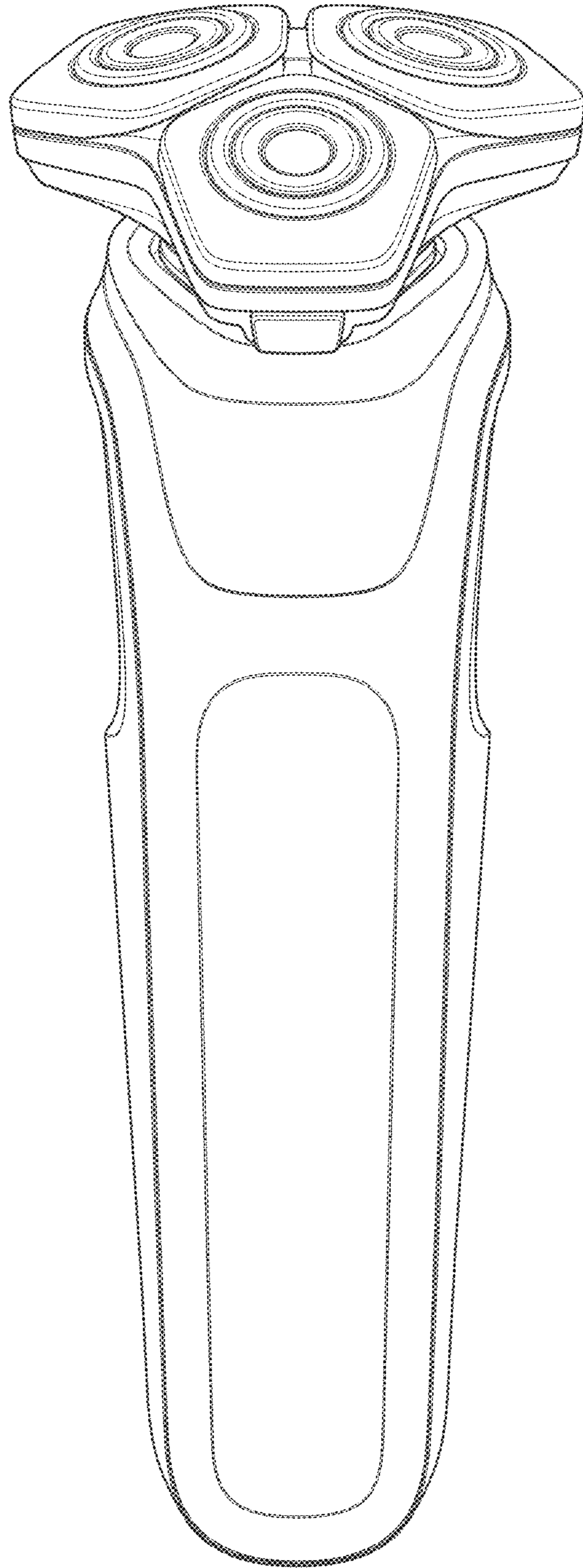


FIG. 23

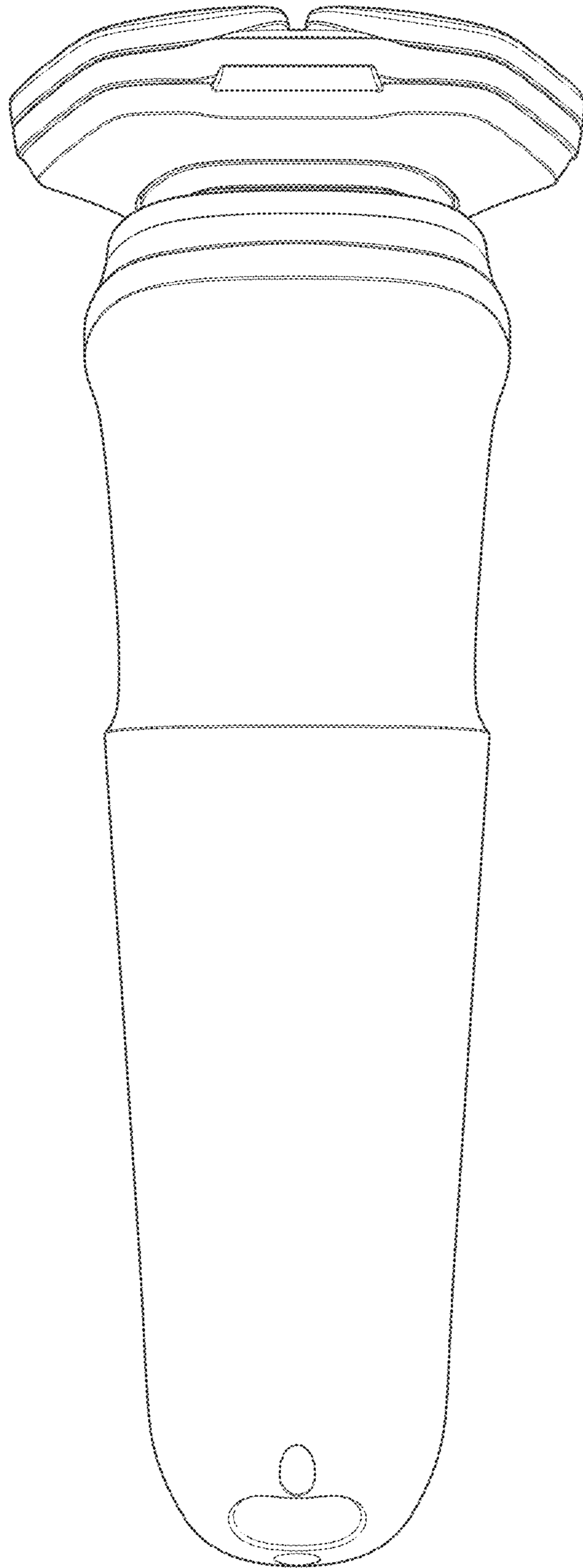


FIG. 24

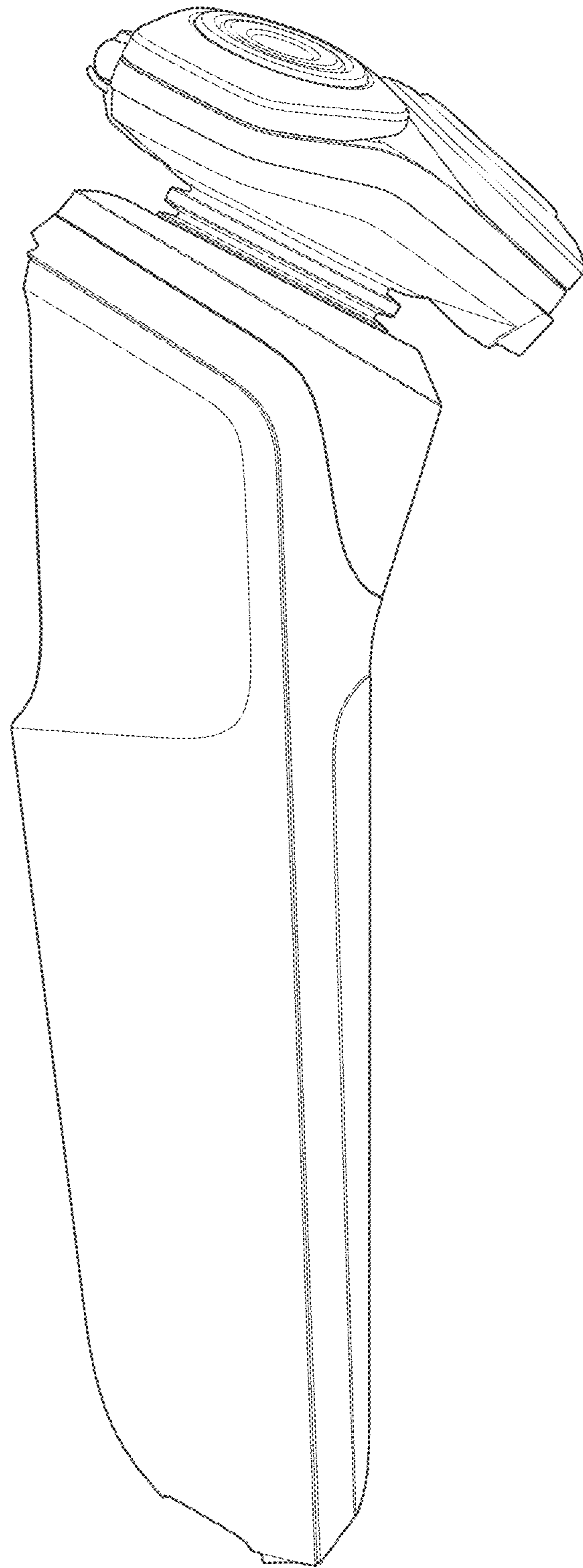


FIG. 25

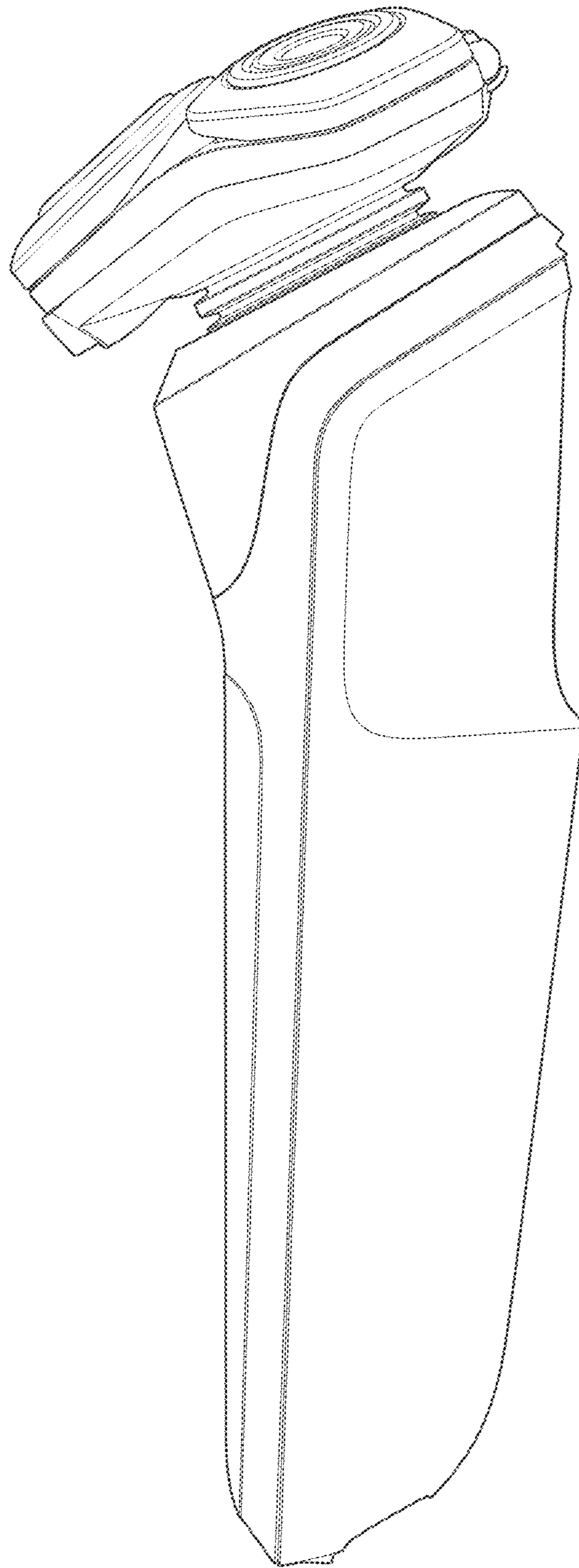


FIG. 26

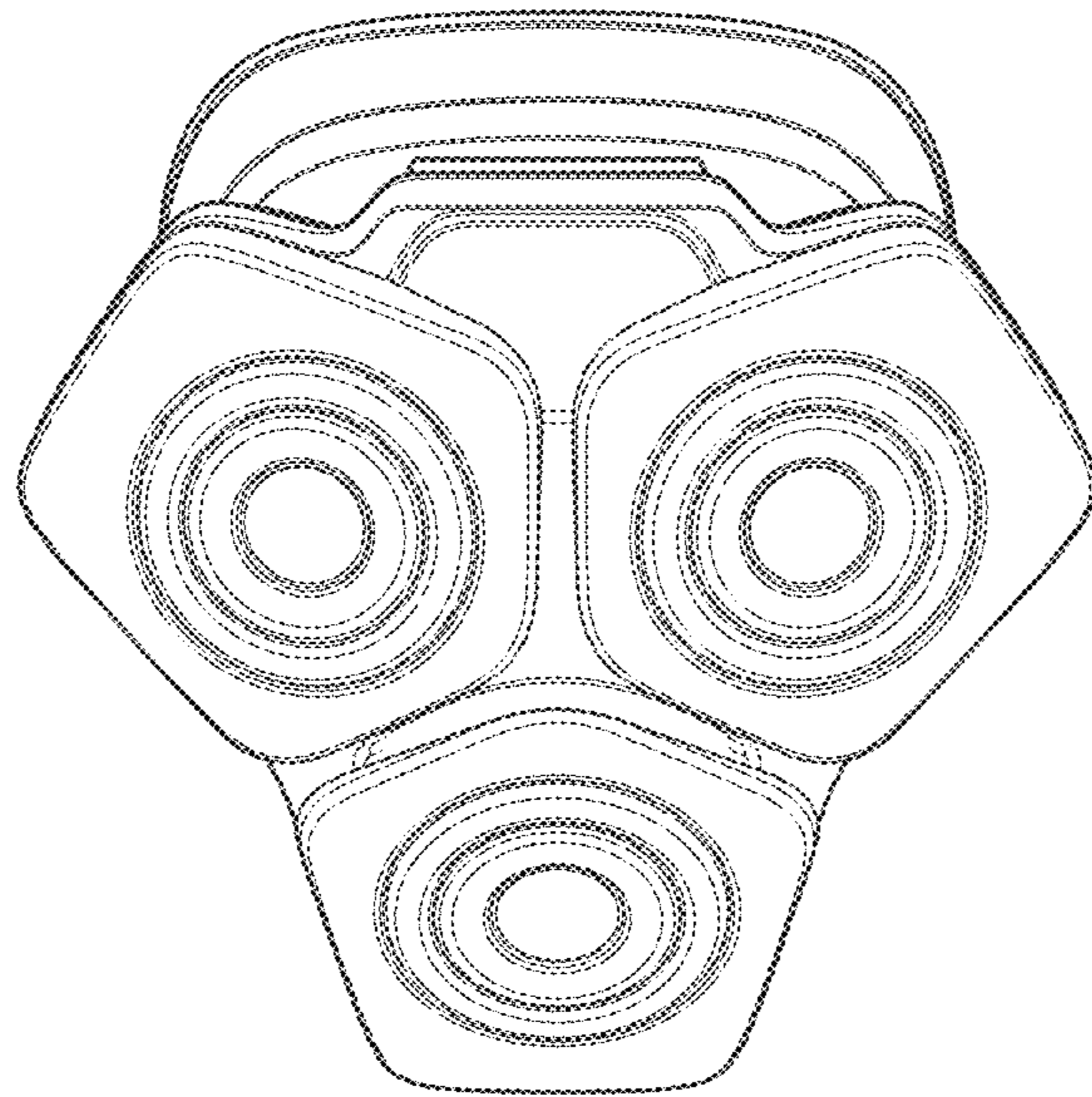


FIG. 27

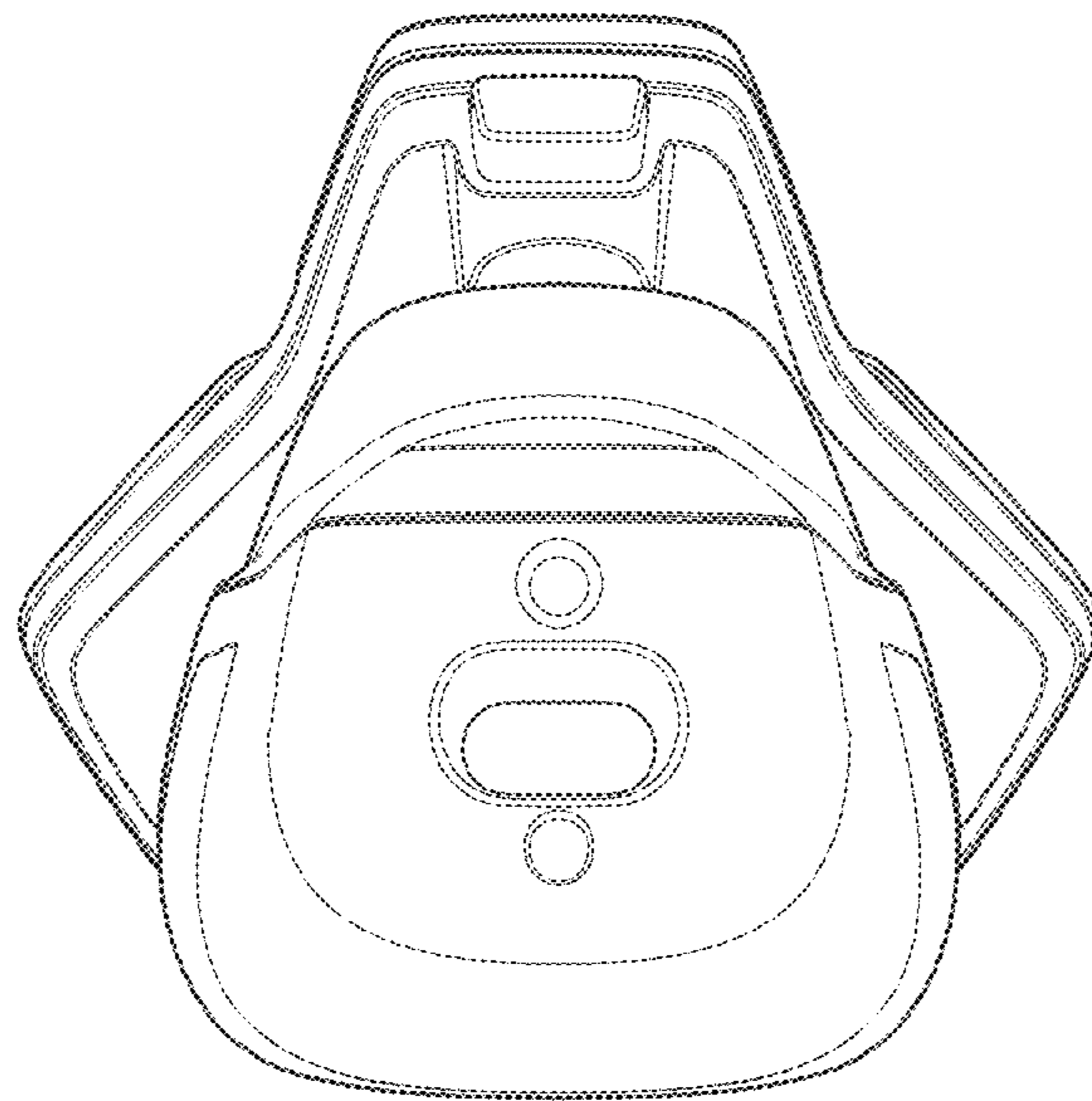


FIG. 28

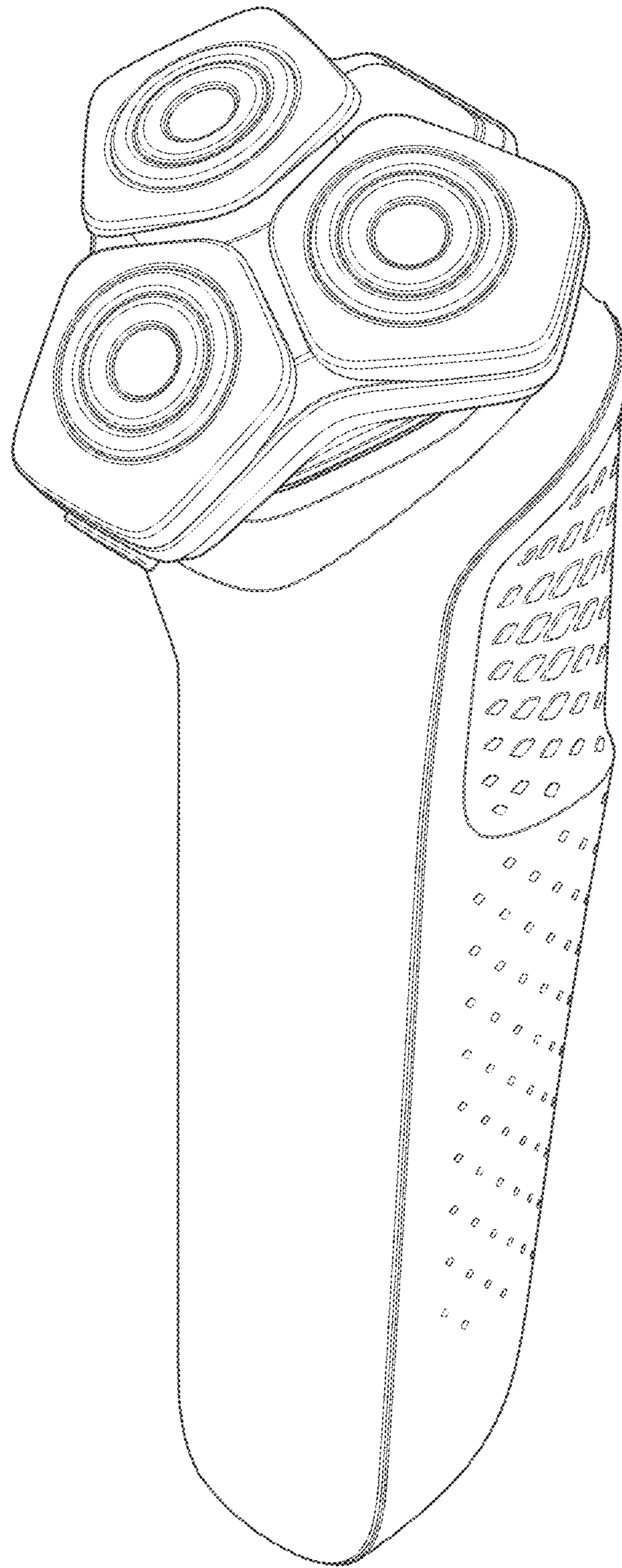


FIG. 29

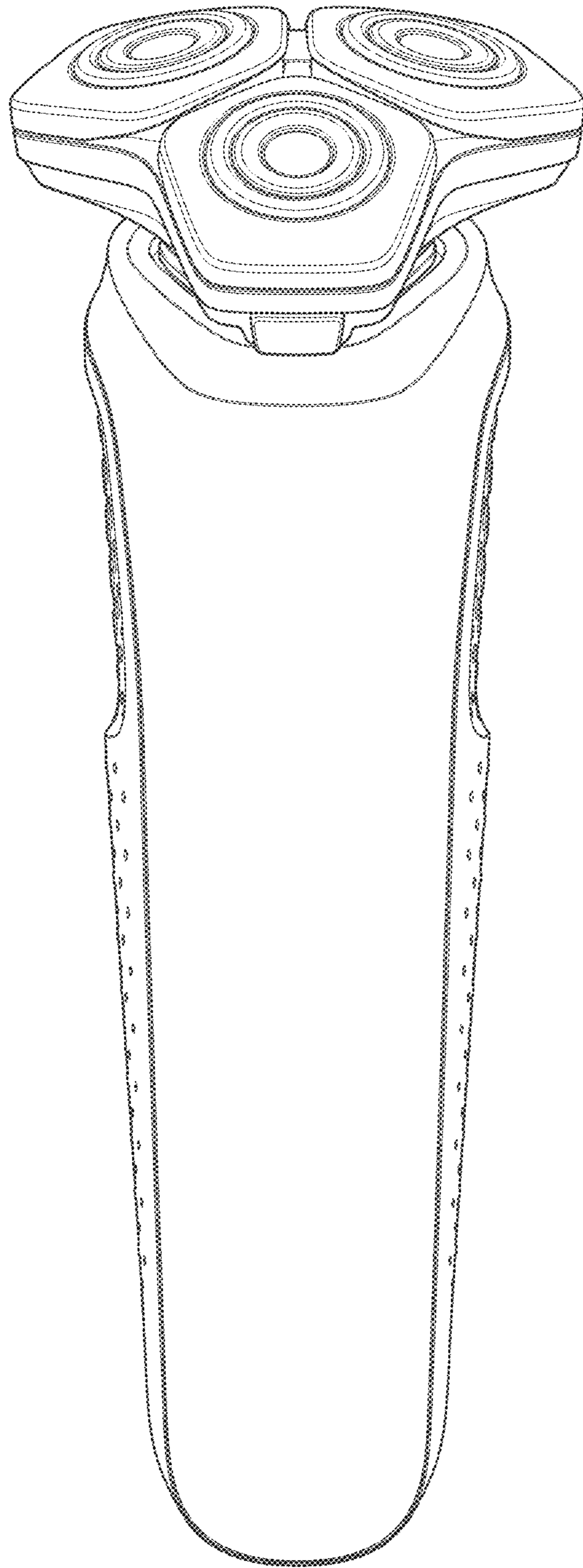


FIG. 30

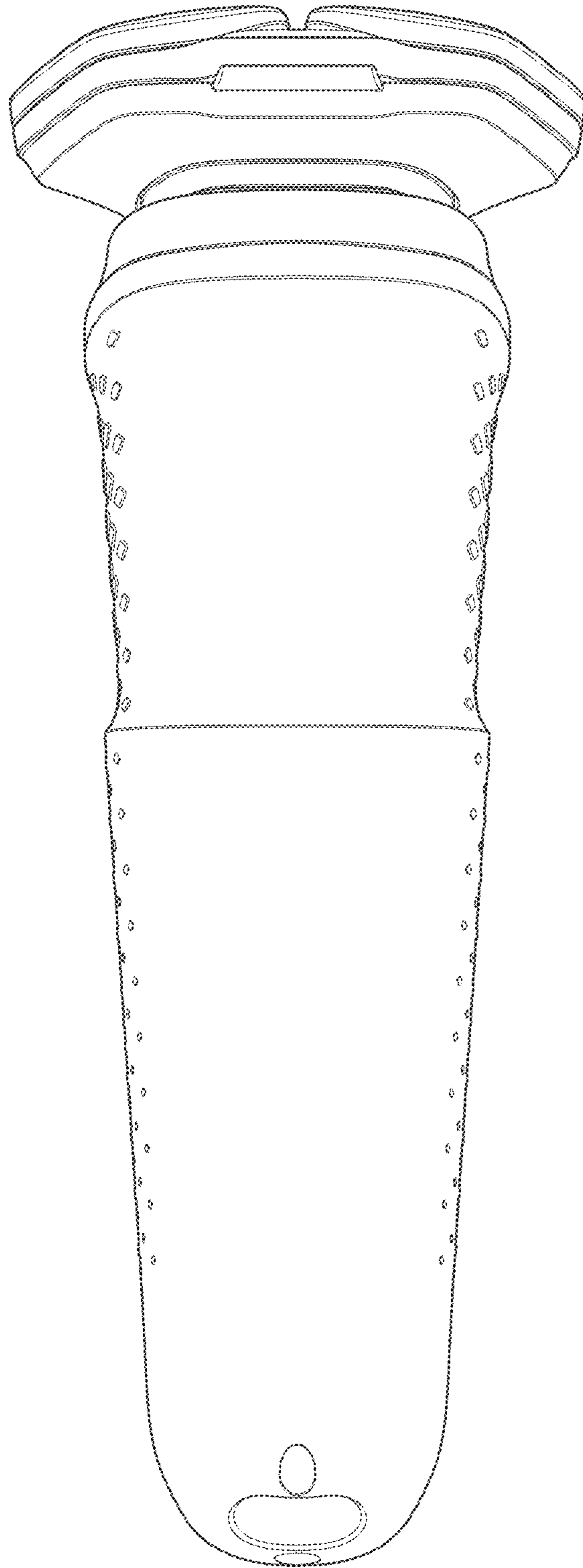


FIG. 31

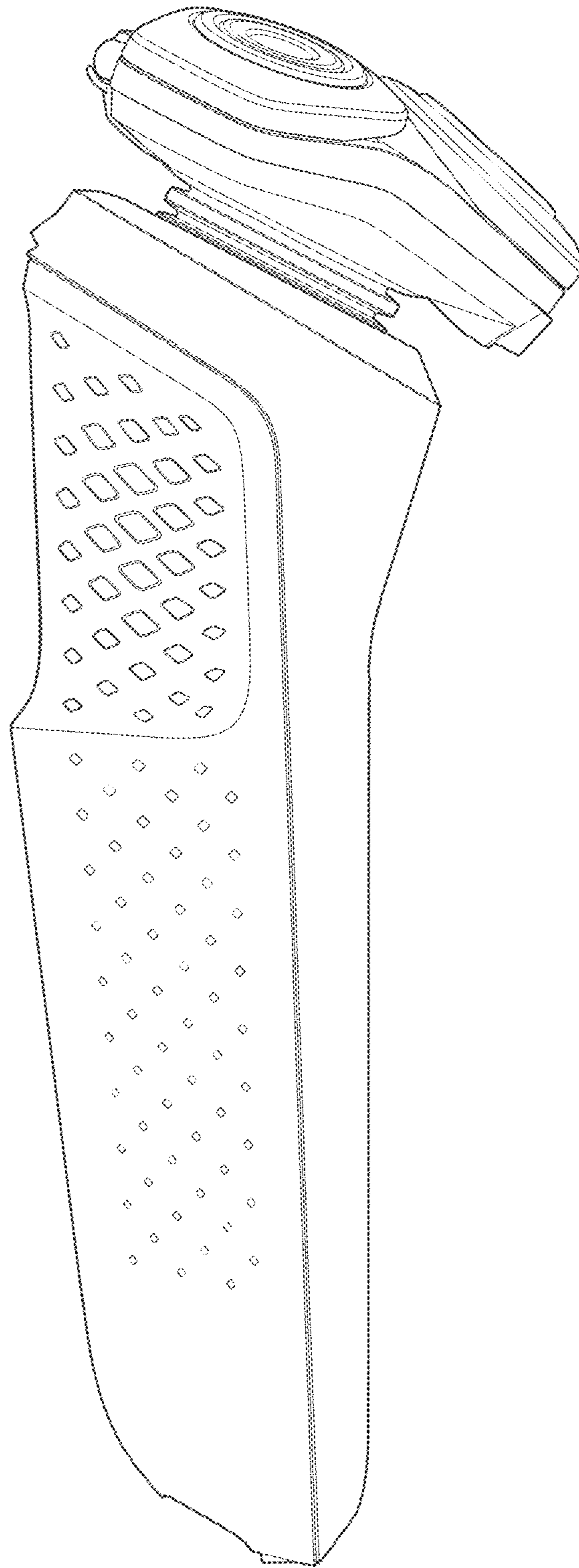


FIG. 32

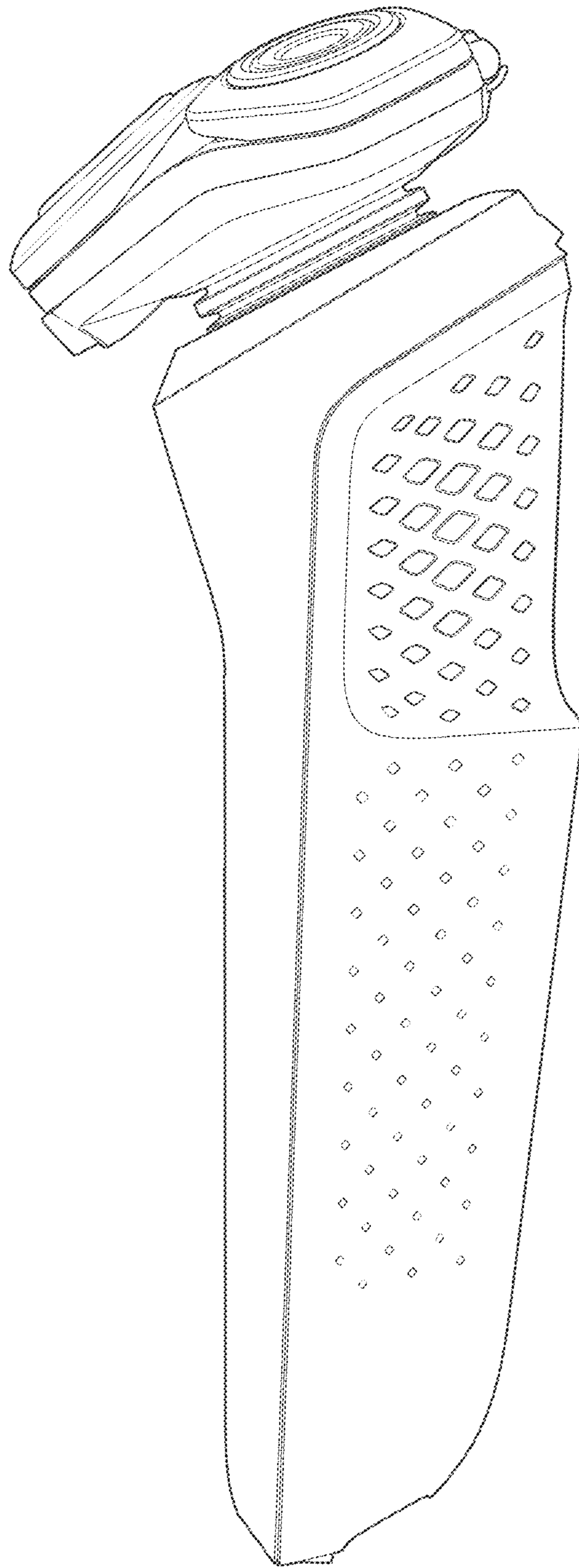


FIG. 33

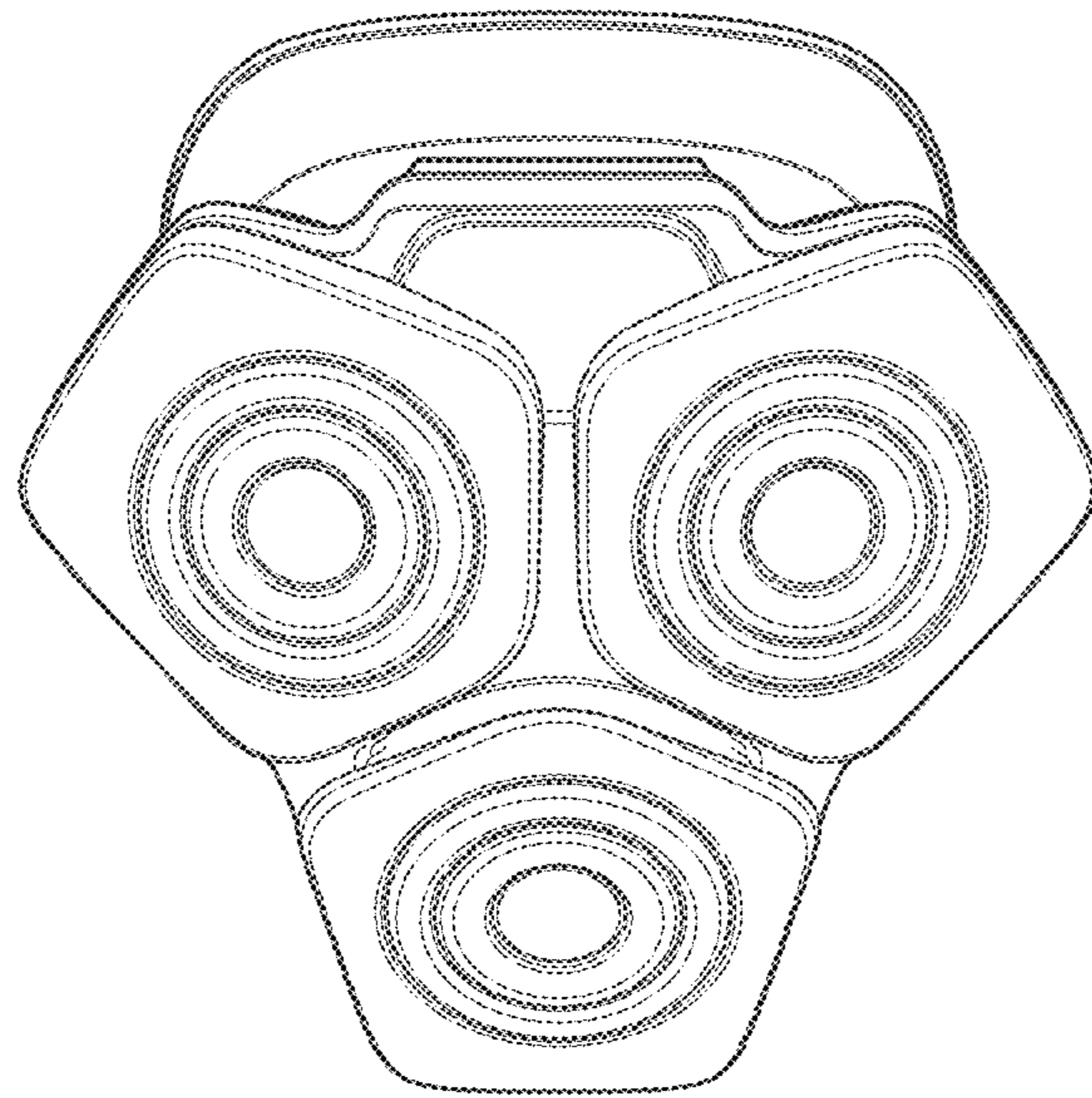


FIG. 34

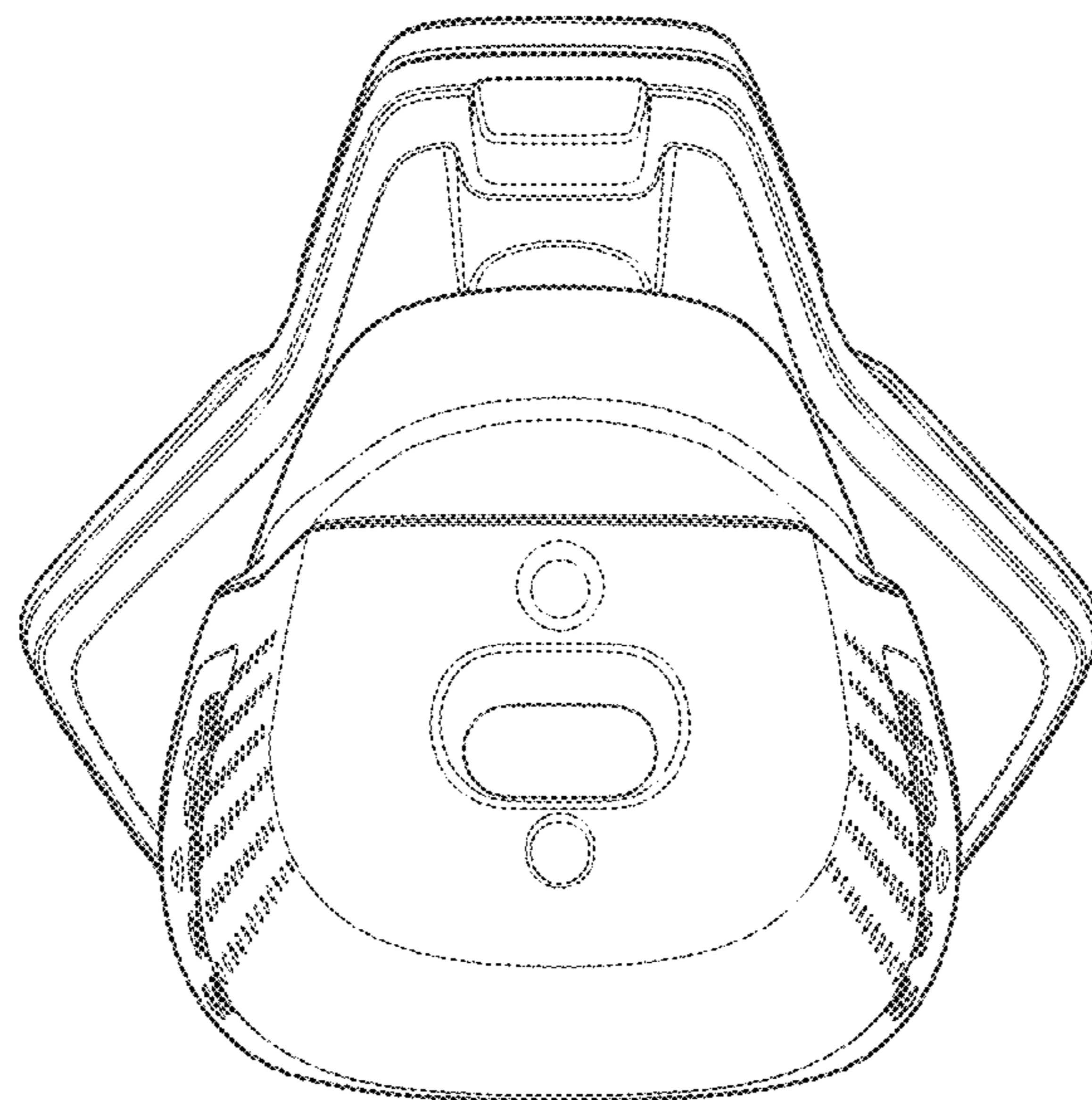


FIG. 35

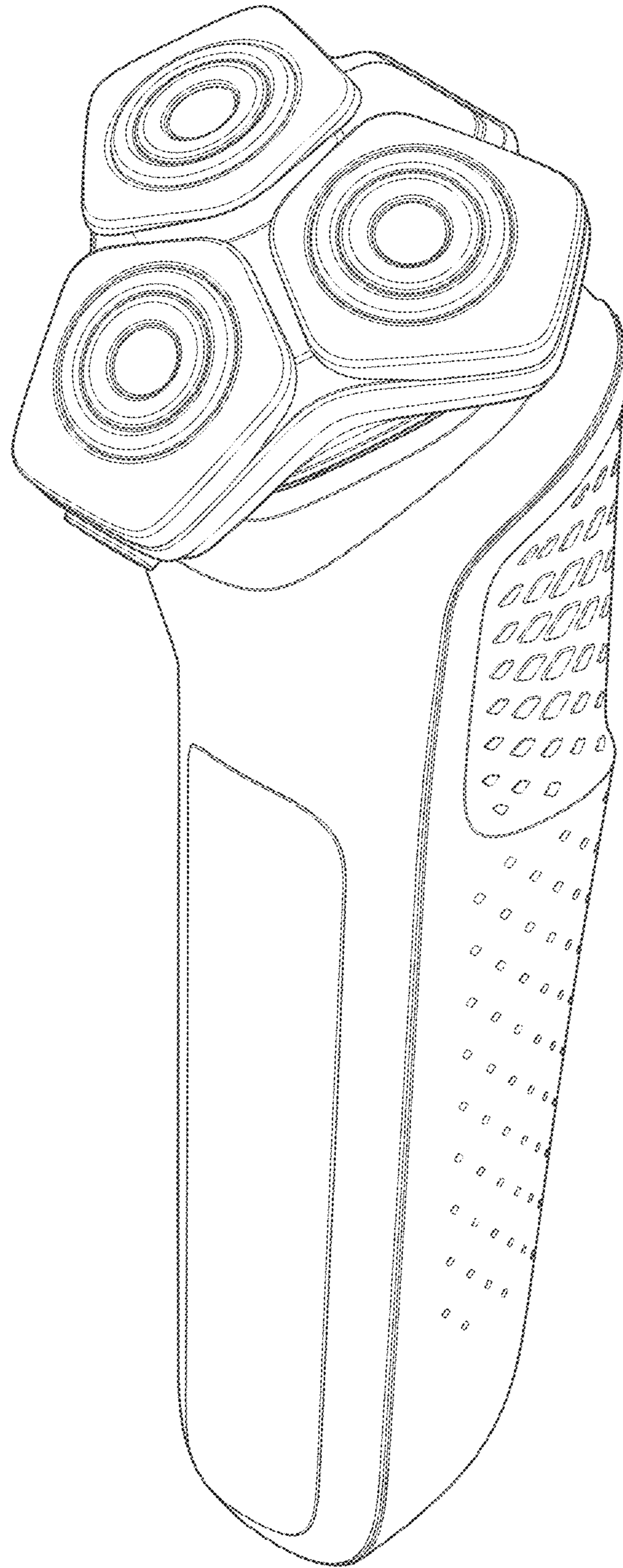


FIG. 36

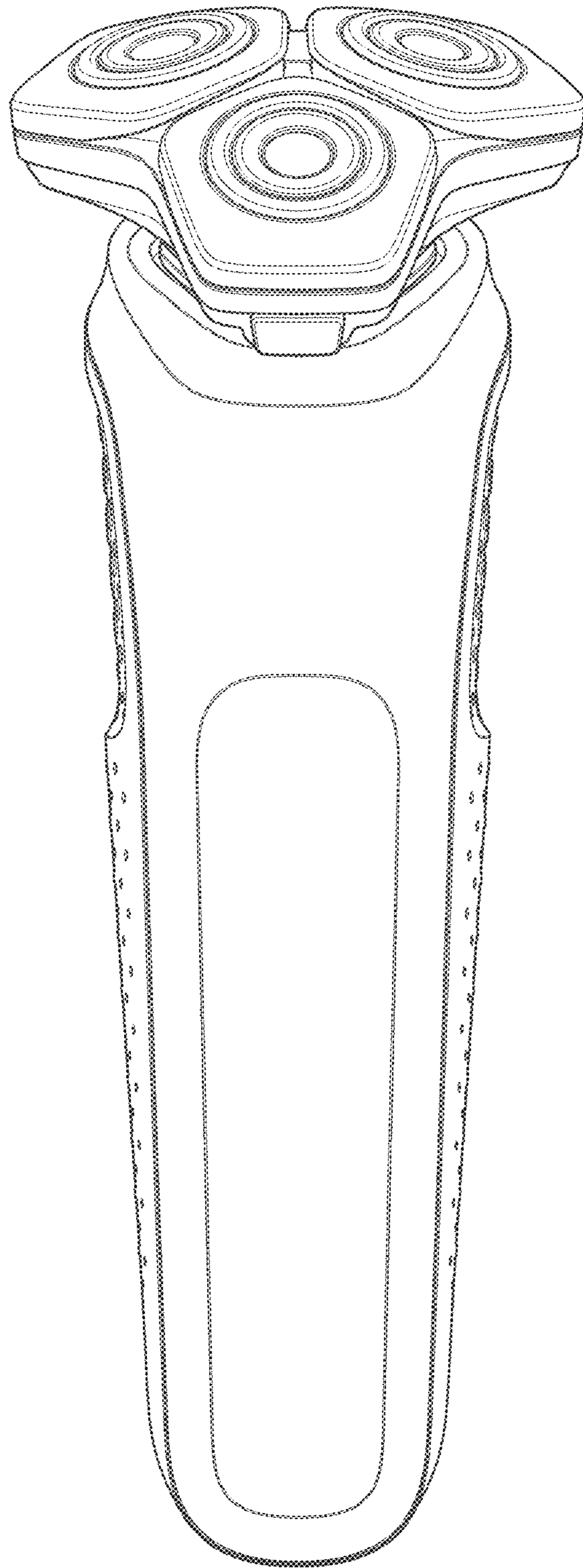


FIG. 37

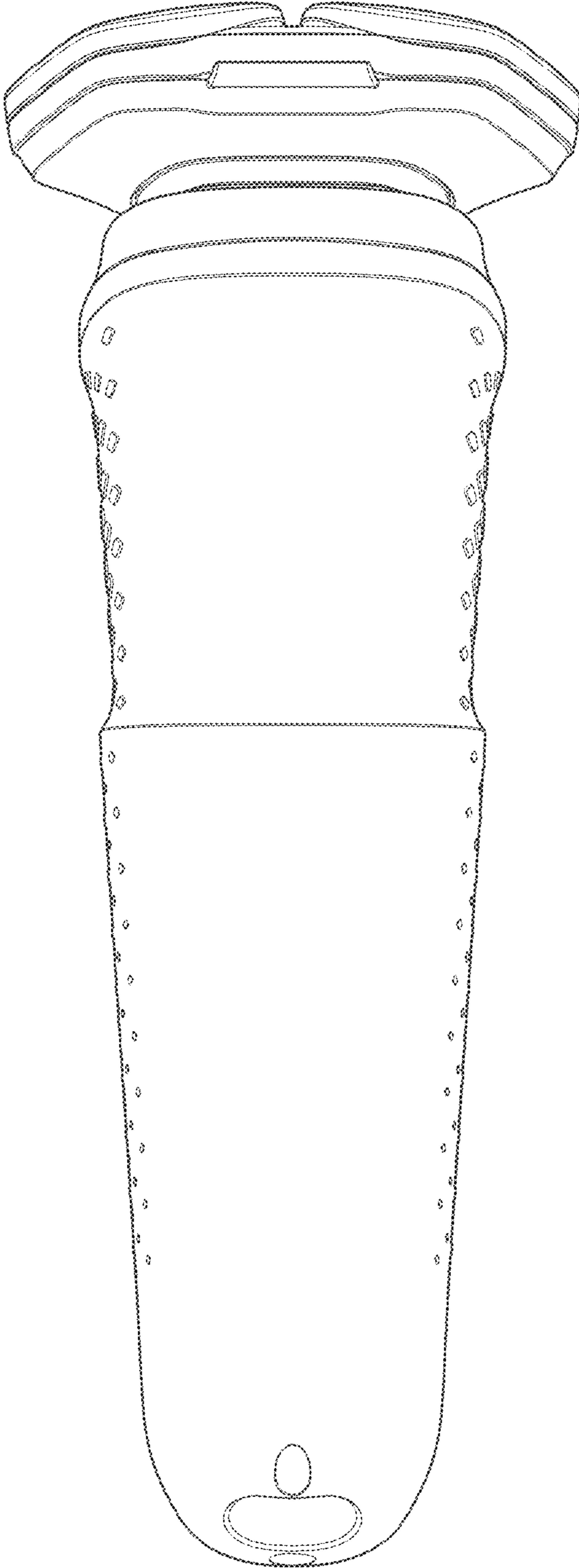


FIG. 38

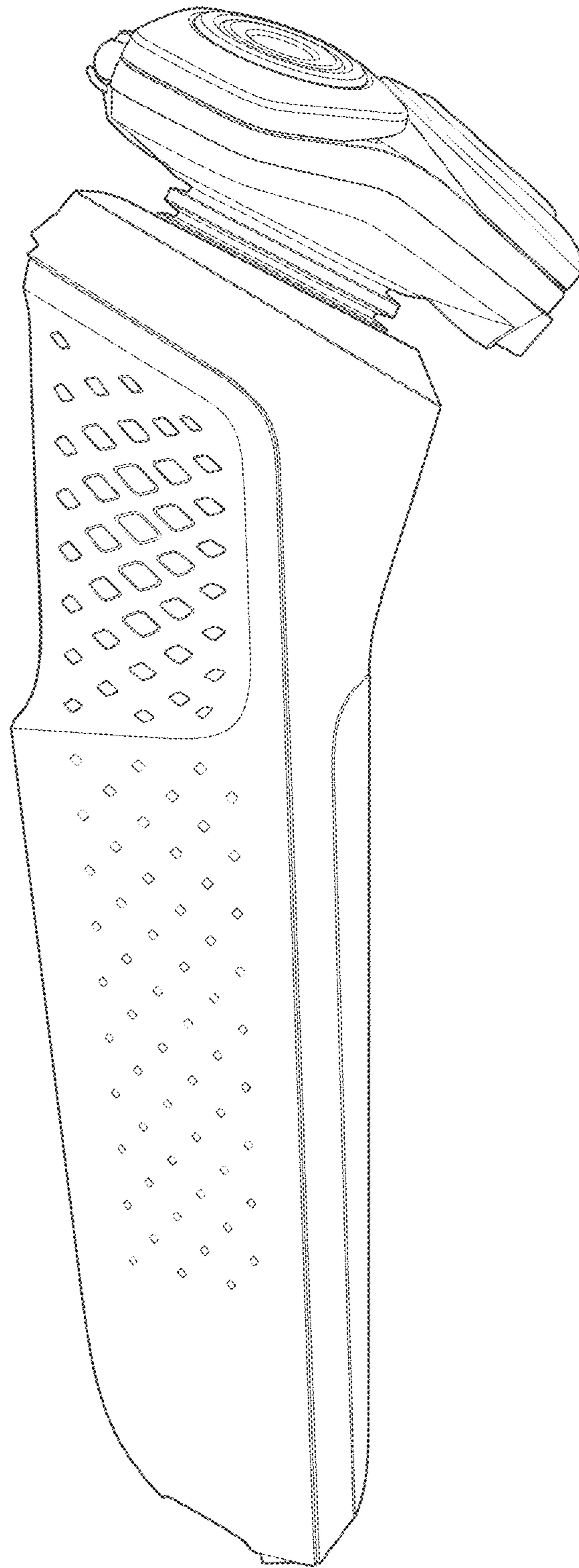


FIG. 39

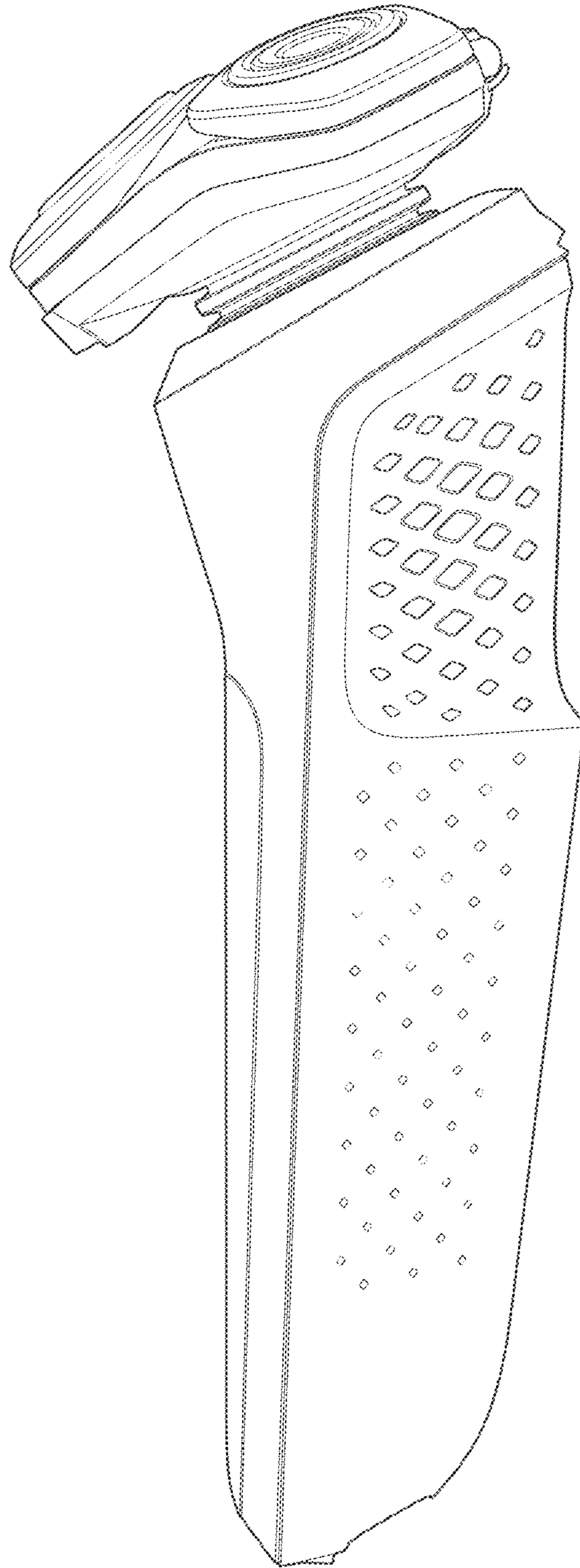


FIG. 40

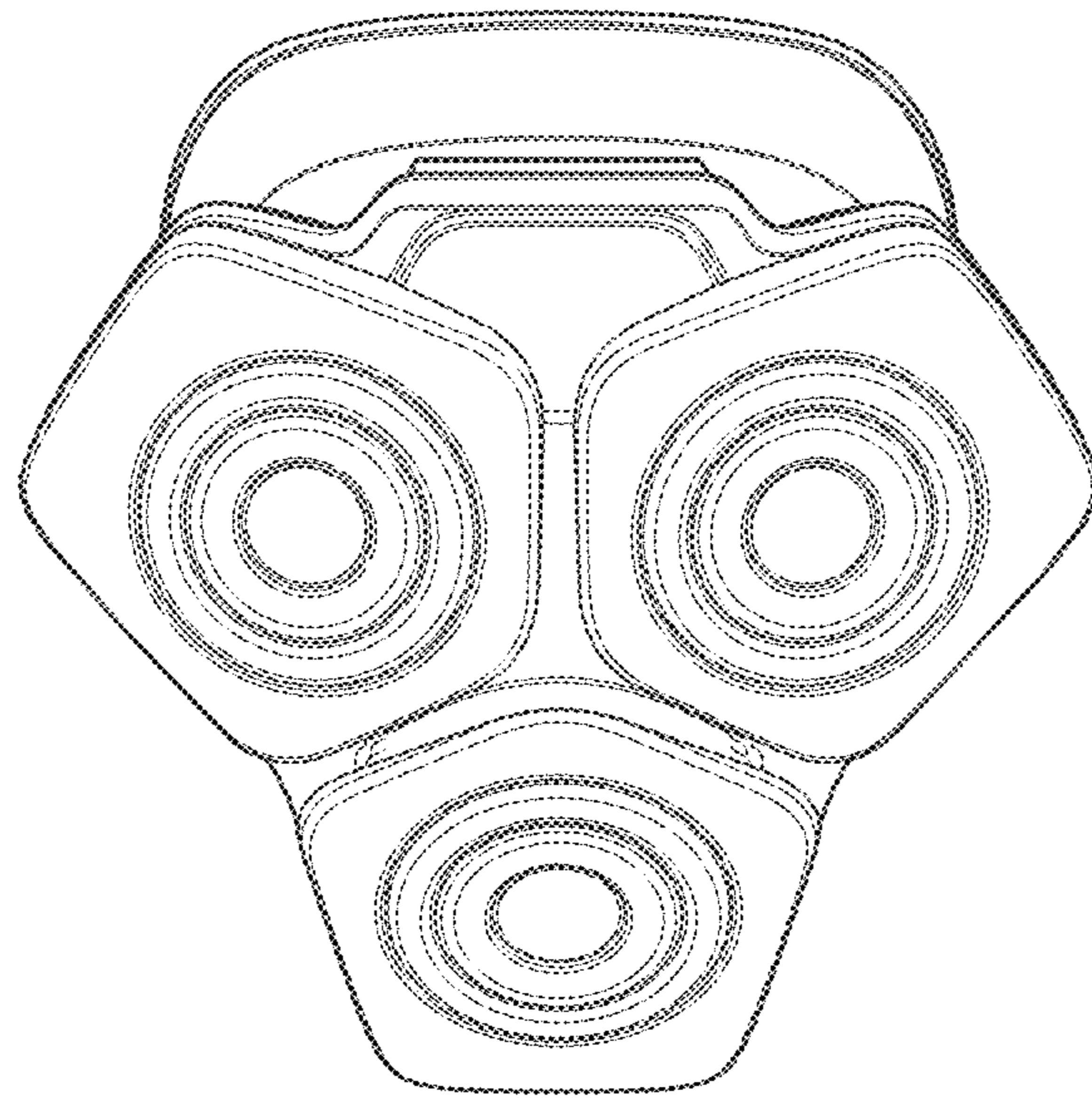


FIG. 41

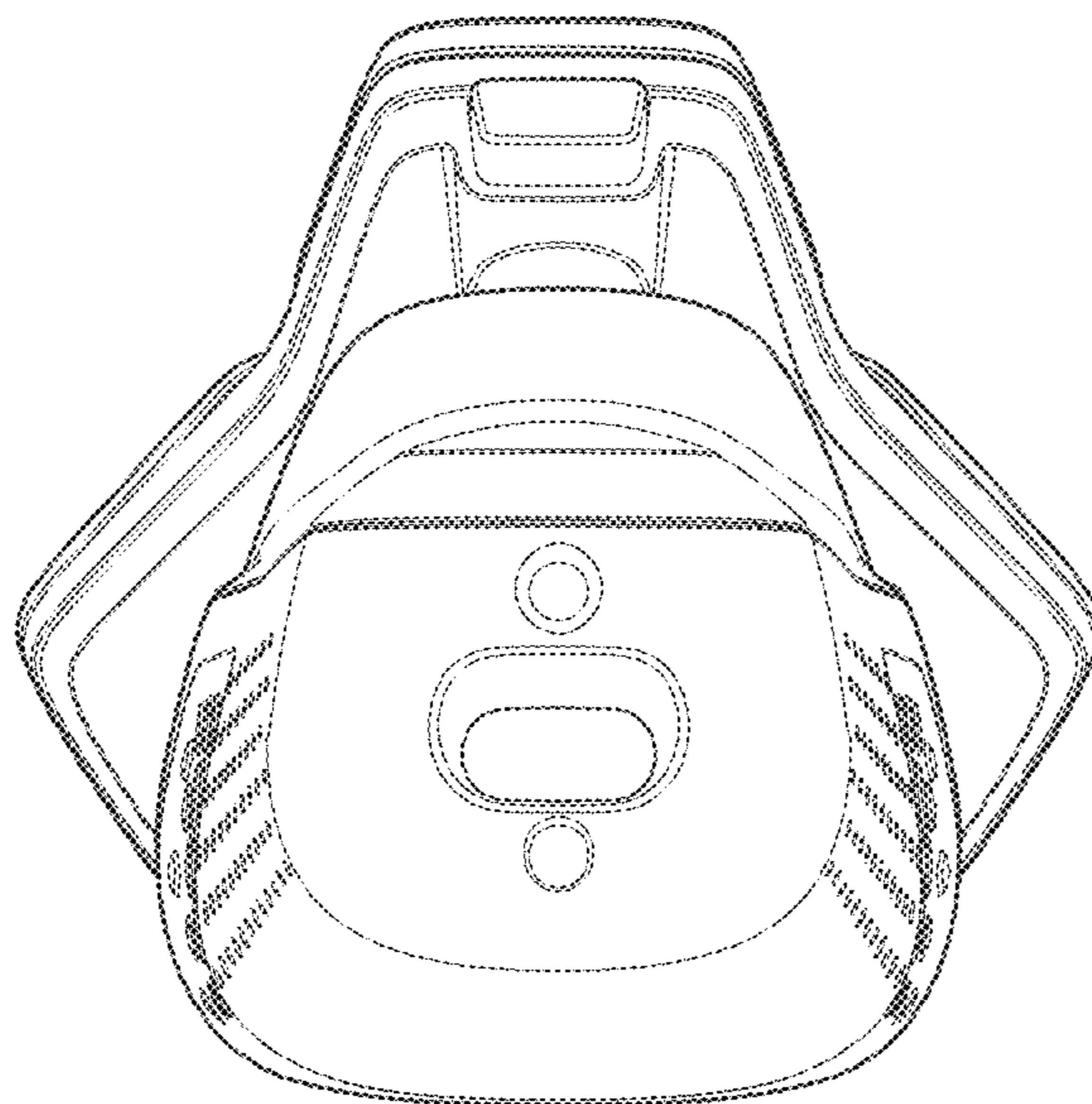


FIG. 42

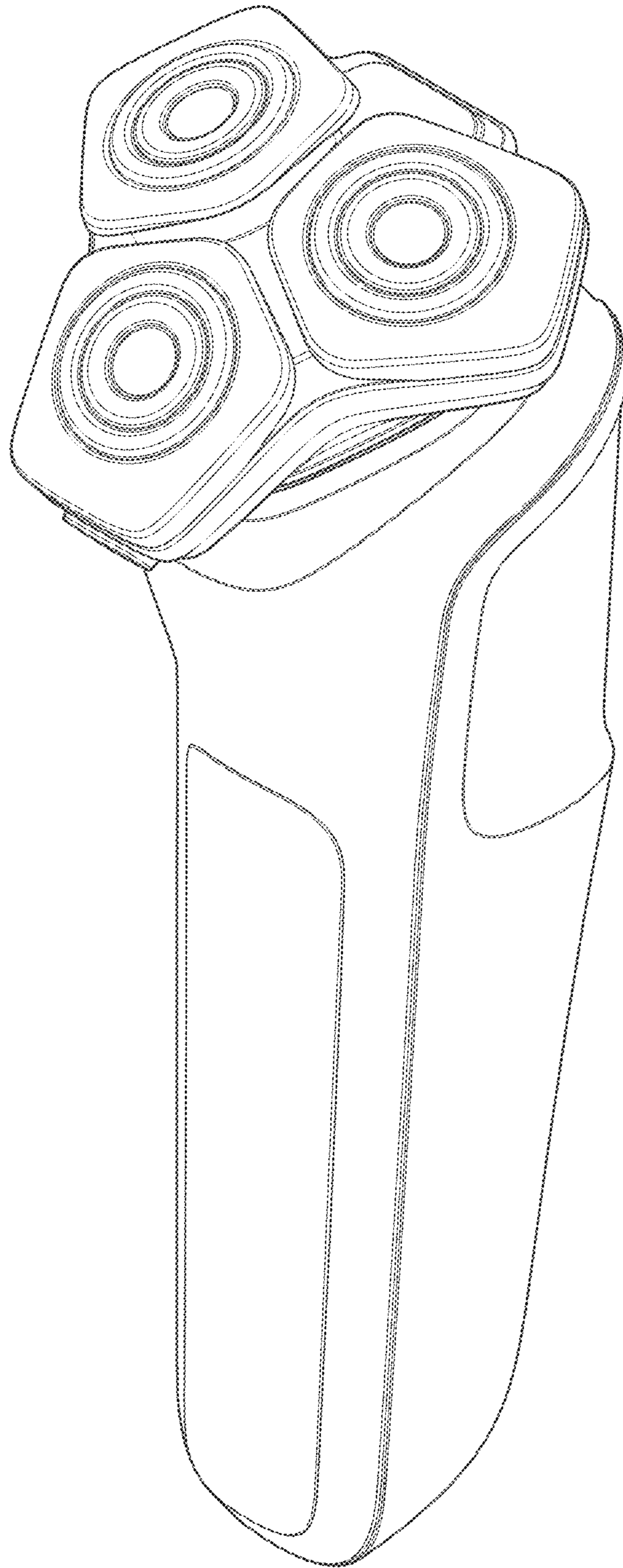


FIG. 43

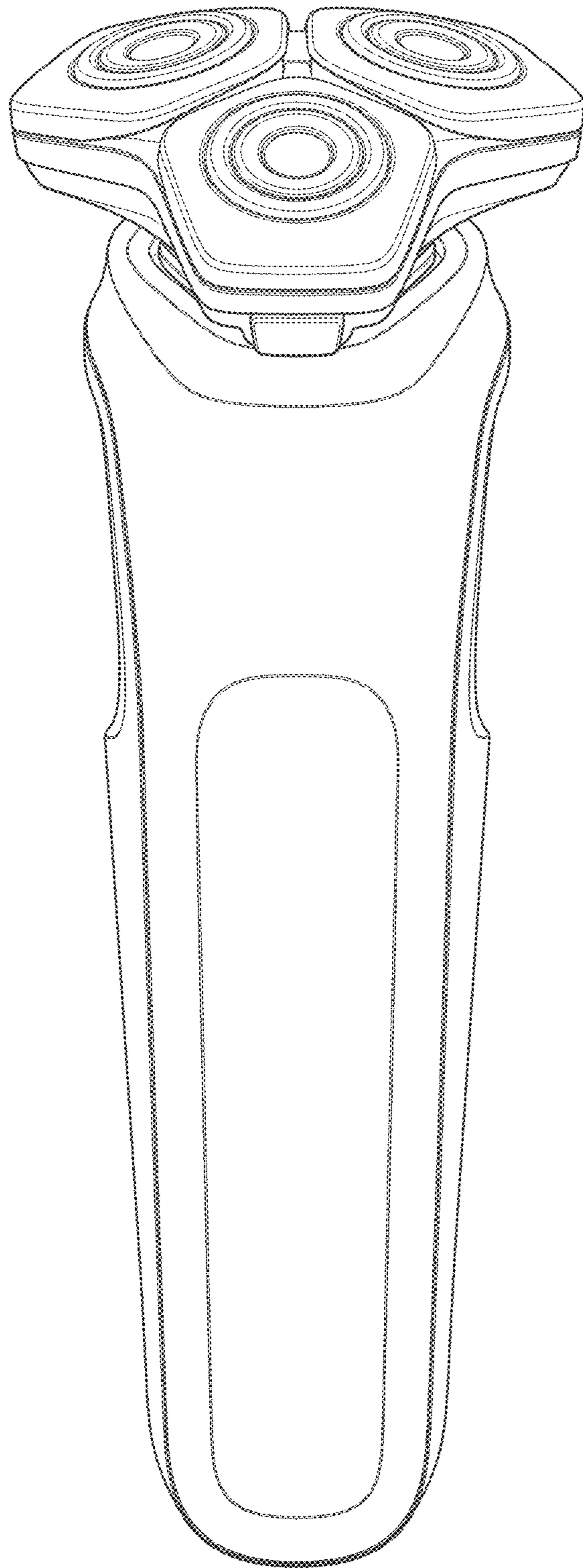


FIG. 44

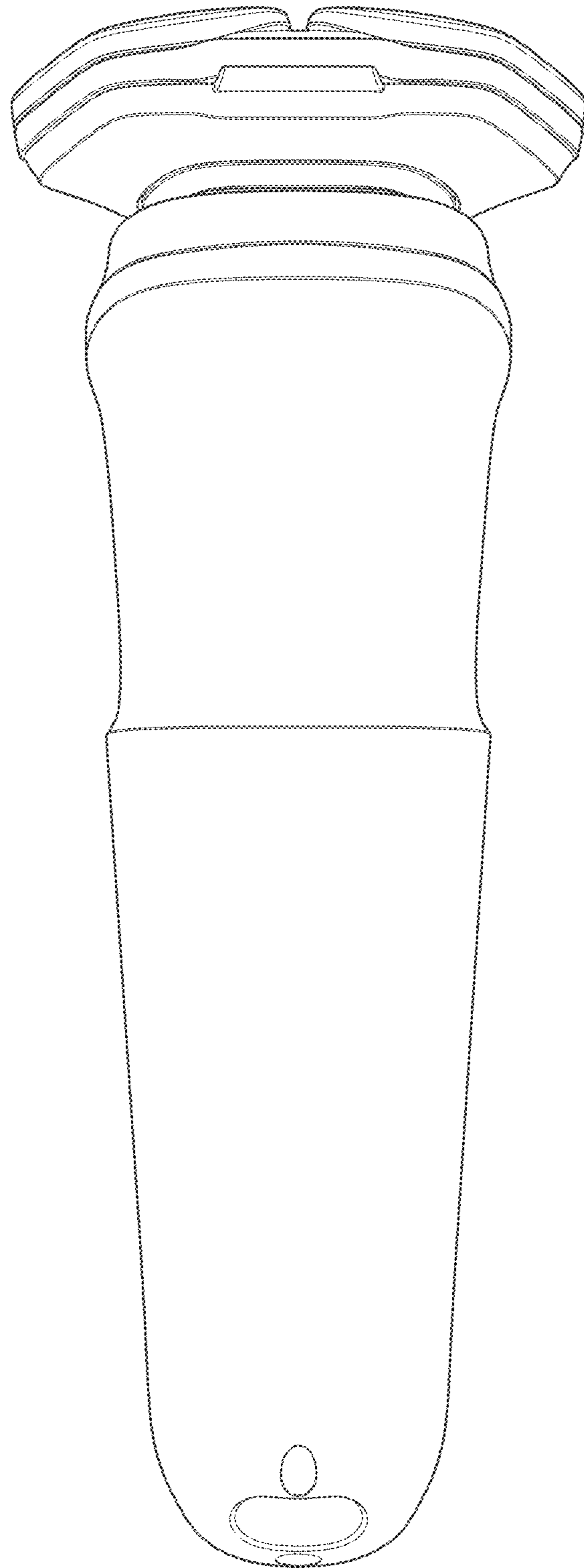


FIG. 45

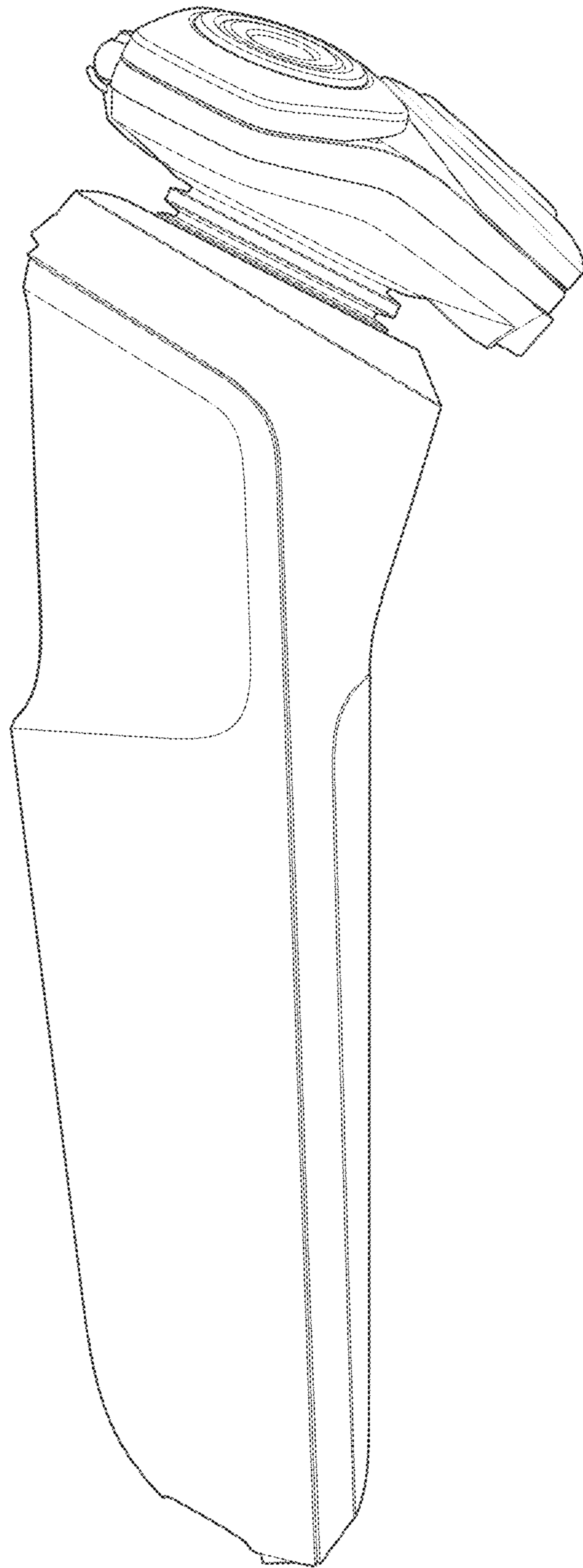


FIG. 46

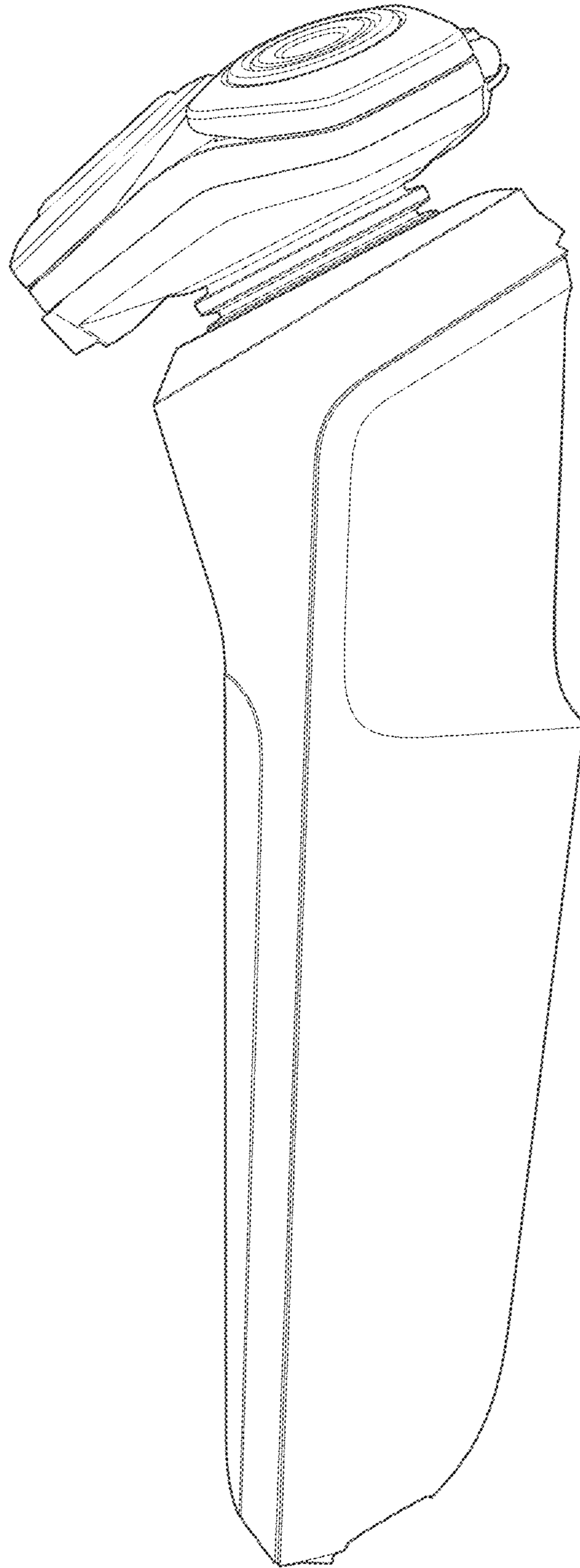


FIG. 47

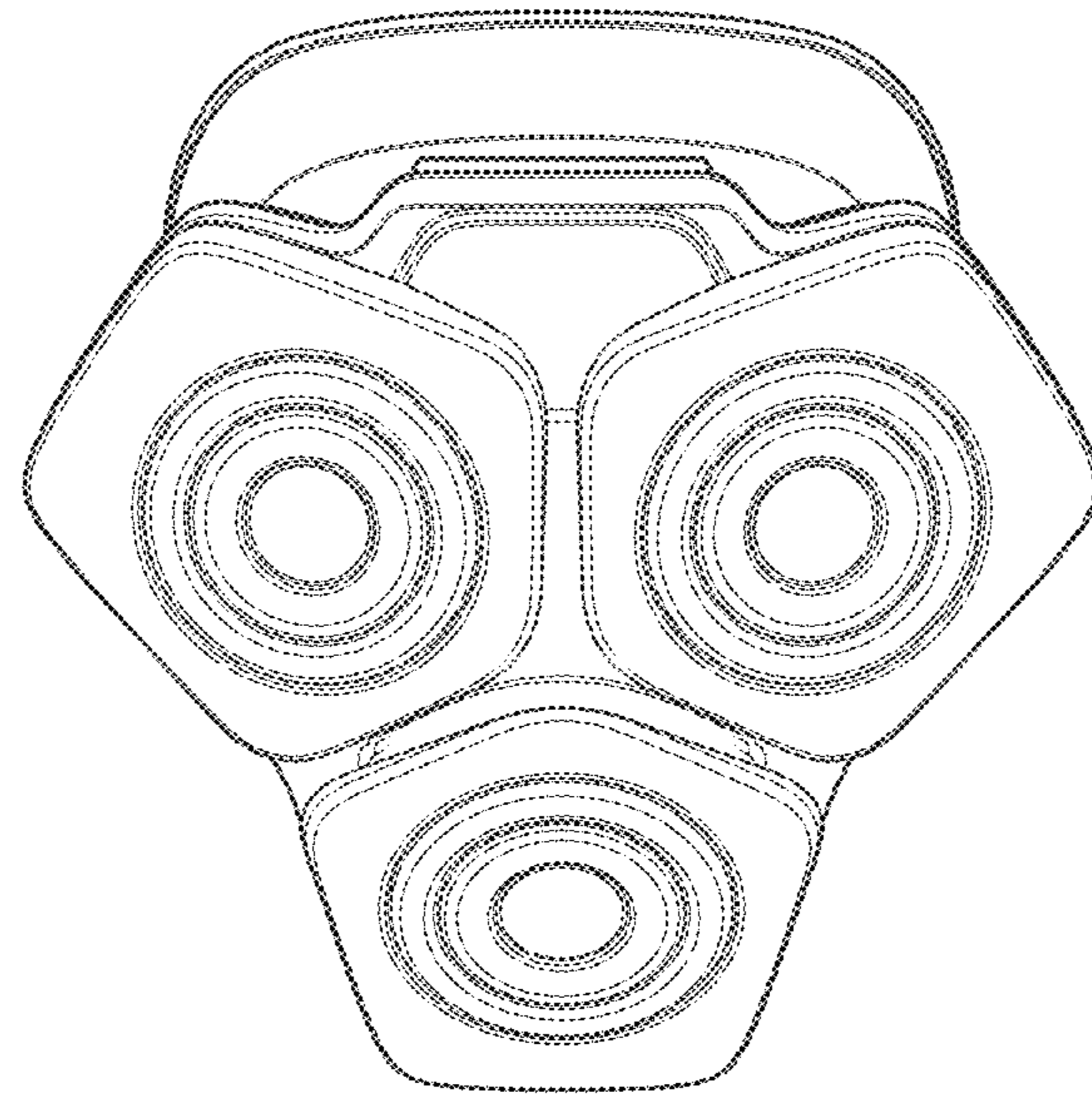


FIG. 48

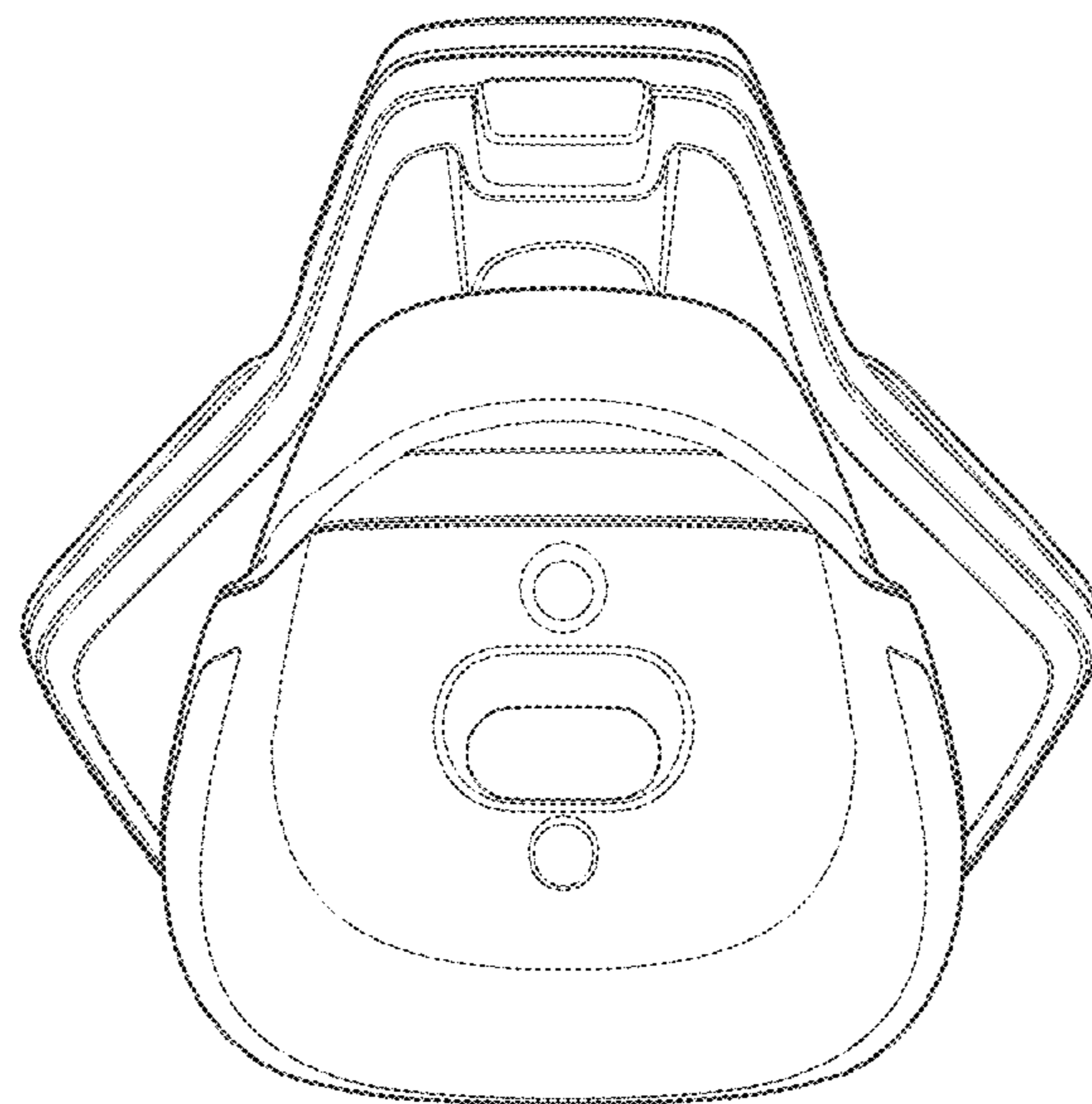


FIG. 49