



US00D932695S

(12) **United States Design Patent** (10) **Patent No.:** **US D932,695 S**  
**Durham et al.** (45) **Date of Patent:** **\*\* Oct. 5, 2021**

(54) **HAIRSTYLING SYSTEM**

(71) Applicant: **Durham Enterprises Corporation**,  
Salt Lake City, UT (US)

(72) Inventors: **Benjamin Durham**, South Jordan, UT  
(US); **Michael Brian Freeman**, North  
Salt Lake, UT (US)

(73) Assignee: **Durham Enterprises Corporation**,  
Salt Lake City, UT (US)

(\*\*) Term: **15 Years**

(21) Appl. No.: **29/712,766**

(22) Filed: **Nov. 11, 2019**

(51) **LOC (13) Cl.** ..... **28-03**

(52) **U.S. Cl.**  
USPC ..... **D28/35**

(58) **Field of Classification Search**  
USPC ..... **D28/10, 35, 37, 38**

(Continued)

(56) **References Cited**

**U.S. PATENT DOCUMENTS**

D504,541 S \* 4/2005 Cho ..... D28/35  
D511,023 S \* 10/2005 Cho ..... D28/35

(Continued)

**FOREIGN PATENT DOCUMENTS**

CN 305577360 \* 6/2019  
EM 006585782-0001 \* 6/2019

**OTHER PUBLICATIONS**

Brookdale Cordless Hair Straightener [online], [site visited Oct. 22,  
2020]. Available from internet, URL:<[https://www.amazon.com/Brookdale-Cordless-Hair-Straightener-Rechargeable/dp/B07Y421SJ9/ref=sr\\_1\\_53?dchild=1&keywords=cordless+hair+strai%E2%80%A6](https://www.amazon.com/Brookdale-Cordless-Hair-Straightener-Rechargeable/dp/B07Y421SJ9/ref=sr_1_53?dchild=1&keywords=cordless+hair+strai%E2%80%A6)> (Year: 2019).\*

(Continued)

*Primary Examiner* — Cynthia Ramirez

*Assistant Examiner* — Xavier Marti-Santos

(74) *Attorney, Agent, or Firm* — Dentons Durham Jones  
Pinegar

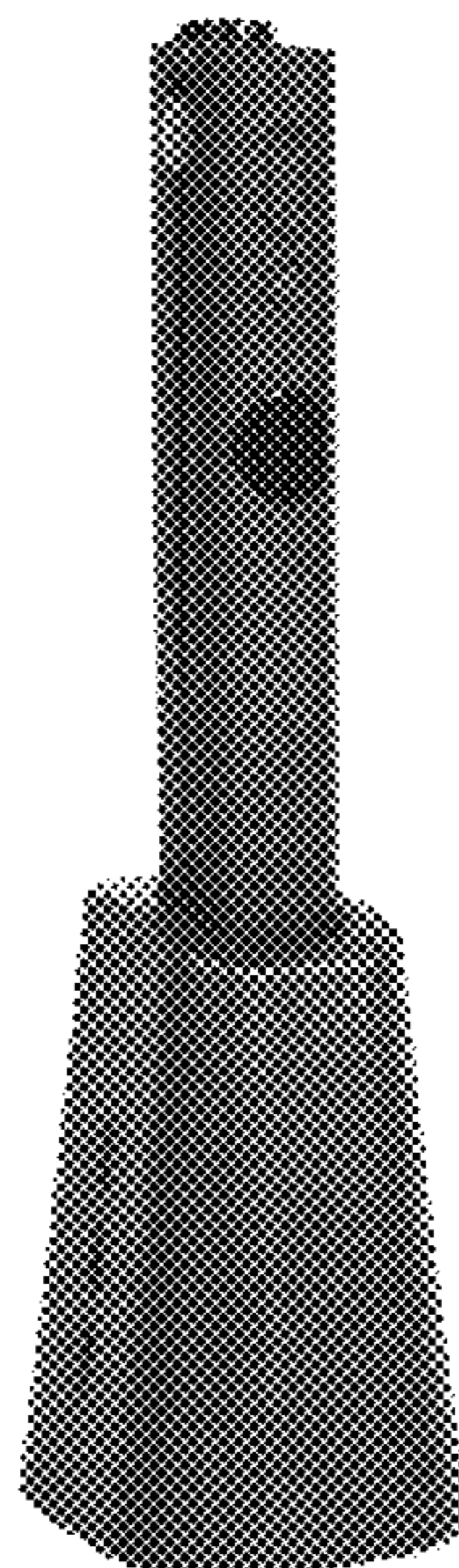
(57) **CLAIM**

The ornamental design for a hairstyling system, as shown  
and described.

**DESCRIPTION**

FIG. 1 is a perspective view of a hairstyling system showing  
our new design, including the hairstyling tool and a base  
shown in an assembled configuration;  
FIG. 2 is a front elevational view thereof;  
FIG. 3 is a rear elevational thereof;  
FIG. 4 is a first side elevational view thereof;  
FIG. 5 is a second side elevational view thereof;  
FIG. 6 is a top view thereof;  
FIG. 7 is a bottom view thereof;  
FIG. 8 is a first perspective view of the hairstyling system  
showing the hairstyling tool separated from the base;  
FIG. 9 is a second perspective view;  
FIG. 10 is a third perspective view thereof;  
FIG. 11 is a top view thereof;  
FIG. 12 is a bottom view thereof;  
FIG. 13 is a first side view thereof;  
FIG. 14 is a second side view thereof;  
FIG. 15 is a rear end view thereof;  
FIG. 16 is a front end view thereof;  
FIG. 17 is a perspective view of the base of the hairstyling  
system, showing the base separated from the hairstyling  
tool;  
FIG. 18 is a front elevational view thereof;  
FIG. 19 is a rear elevational view thereof;  
FIG. 20 is a first side elevational view thereof;  
FIG. 21 is a second side elevational view thereof;  
FIG. 22 is a top view thereof; and,  
FIG. 23 is a bottom view thereof.

**1 Claim, 6 Drawing Sheets**



(58) **Field of Classification Search**

CPC ..... A45D 2/00; A45D 2001/045; A45D 1/16;  
                   A45D 1/04; A45D 1/18; A45D 1/06-14;  
                   A45D 2/02-10; A45D 2/38-42; A45D  
   2/001-002

See application file for complete search history.

(56) **References Cited**

U.S. PATENT DOCUMENTS

D619,760	S	*	7/2010	Cheung	.....	D28/35
D646,022	S	*	9/2011	Schmitz	.....	D28/35
8,035,061	B2	*	10/2011	Jung	.....	A45D 1/04 219/225
D716,496	S	*	10/2014	Fung	.....	D28/35
D816,902	S	*	5/2018	Delassus	.....	D28/35
D825,848	S	*	8/2018	Brady	.....	D28/35
D837,448	S	*	1/2019	Maochang	.....	D28/35
D854,245	S	*	7/2019	Takemura	.....	D28/35
D865,287	S	*	10/2019	Feng	.....	D28/35
D875,311	S	*	2/2020	Yang	.....	D28/35
2007/0218746	A1	*	9/2007	Hur	.....	H01R 35/04 439/369

OTHER PUBLICATIONS

Easymoss Cordless Hair Straightener Rechargeable Wireless Flat Iron Hair Iron [online], [site visited Oct. 22, 2020]. Available from internet, URL:<<https://www.amazon.com/Lifetime-Easymoss-Straightener-Rechargeable-Adjustable/dp/B078RGJTM3>> (Year: 2018).\*

\* cited by examiner

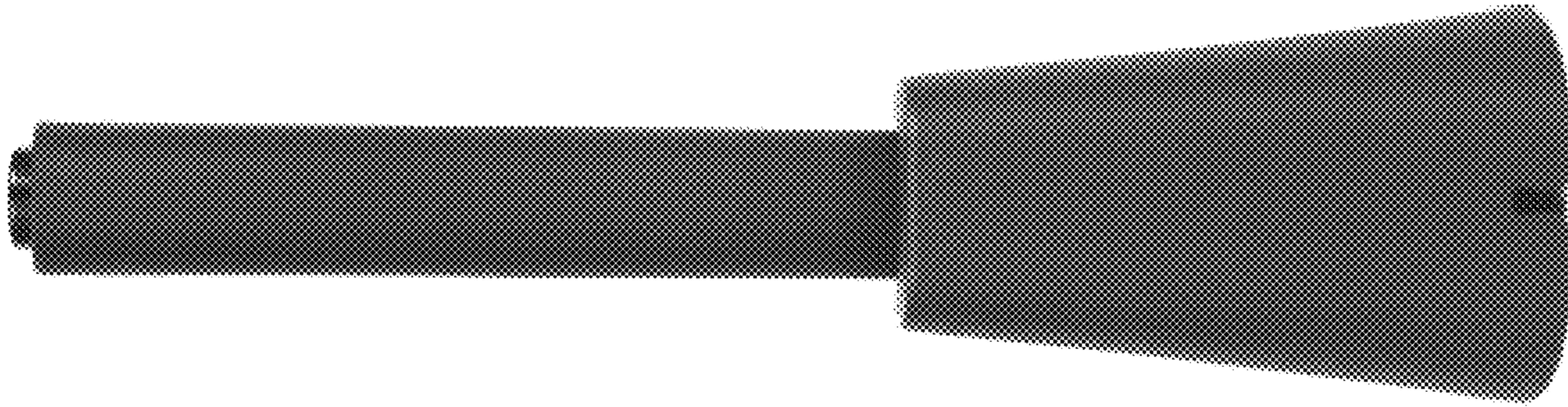


FIG. 3

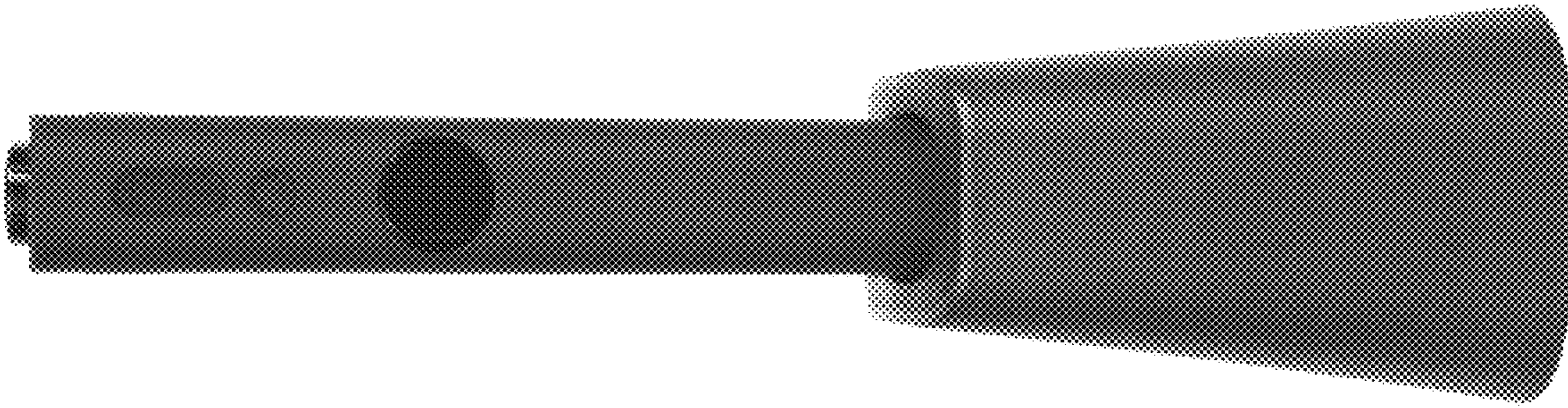


FIG. 2

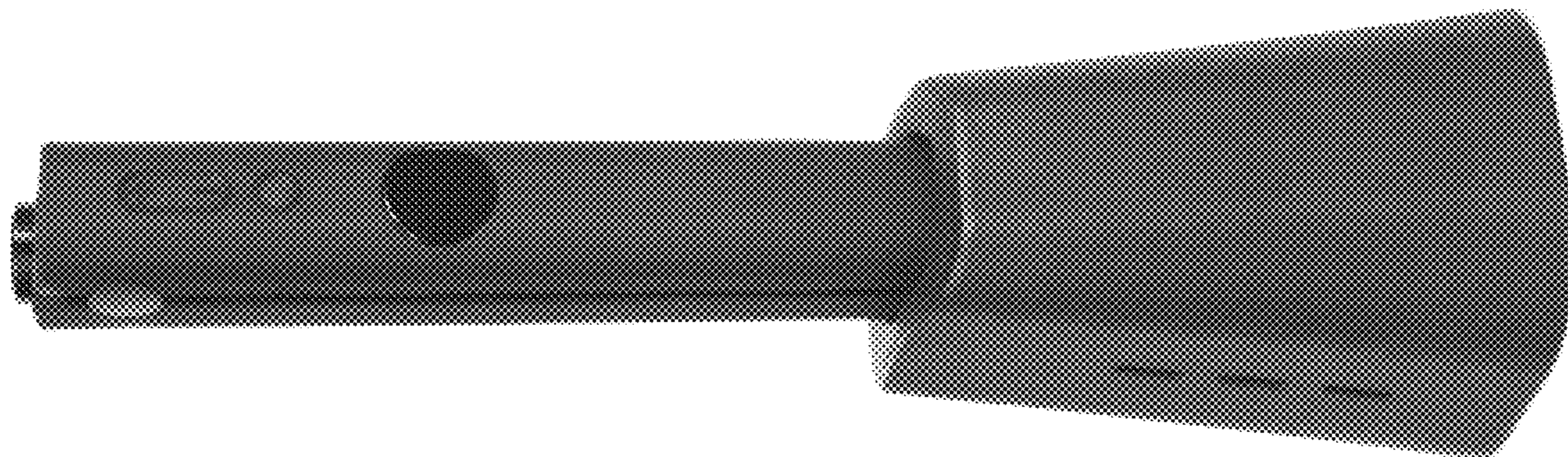


FIG. 1

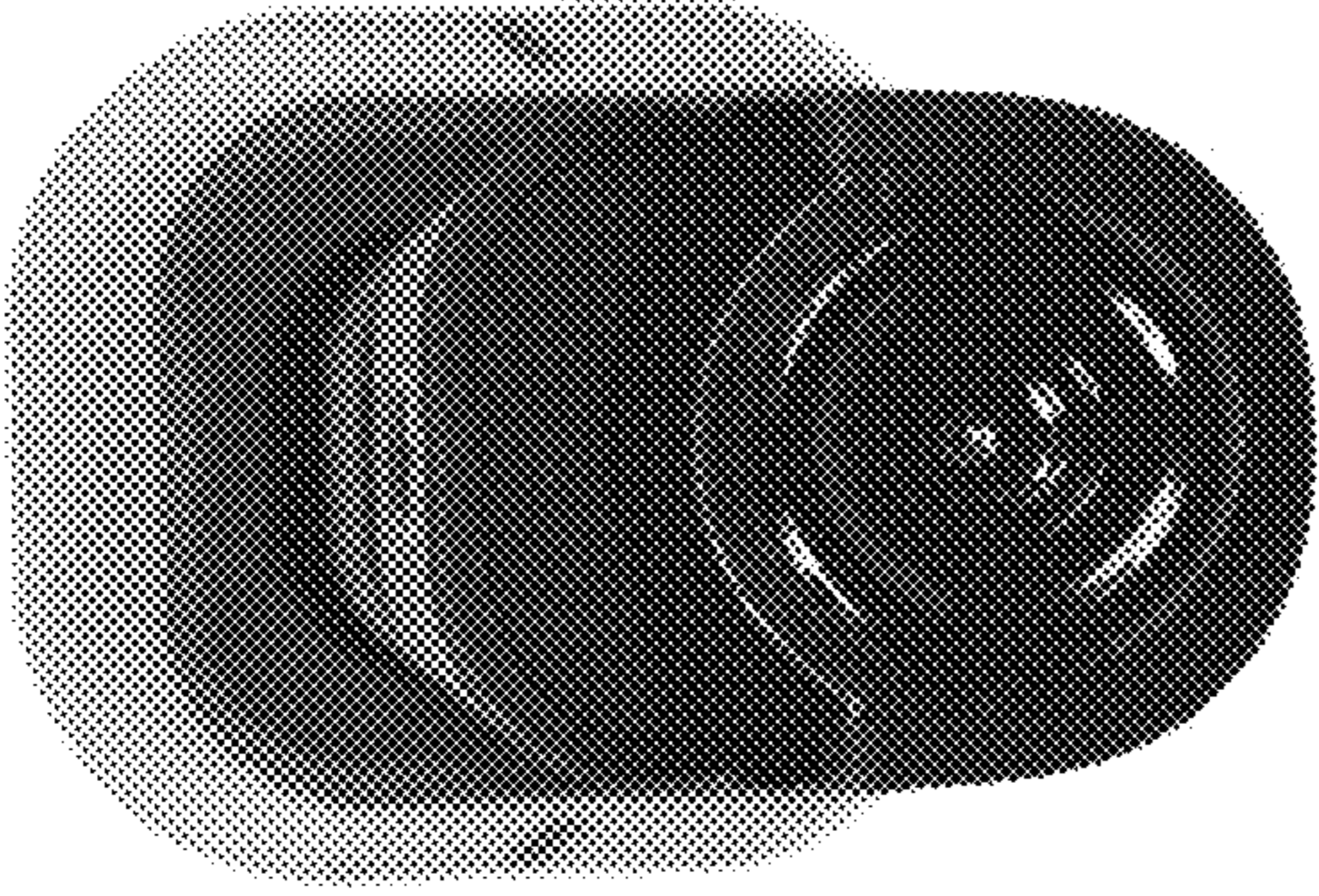


FIG. 6

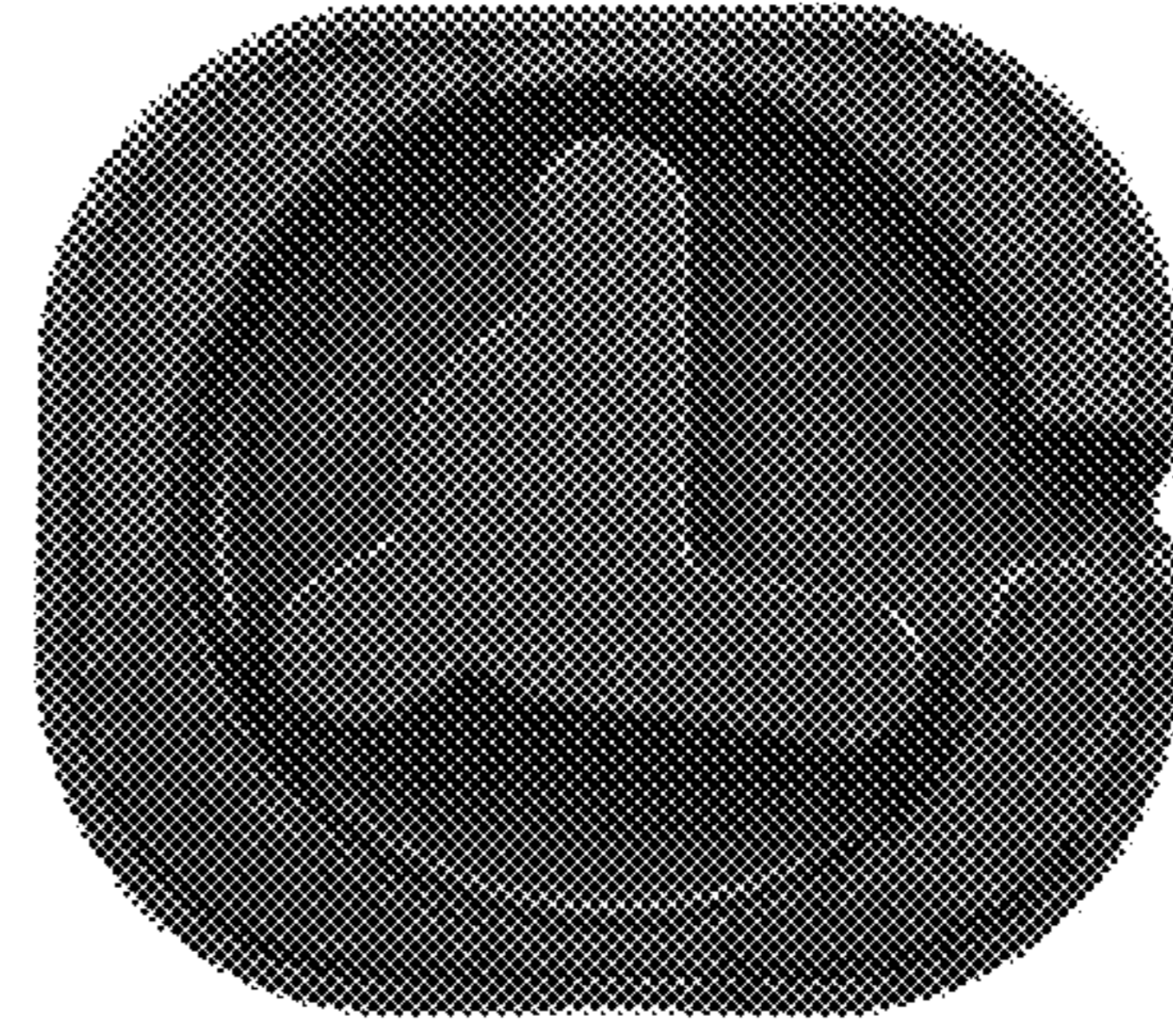


FIG. 7

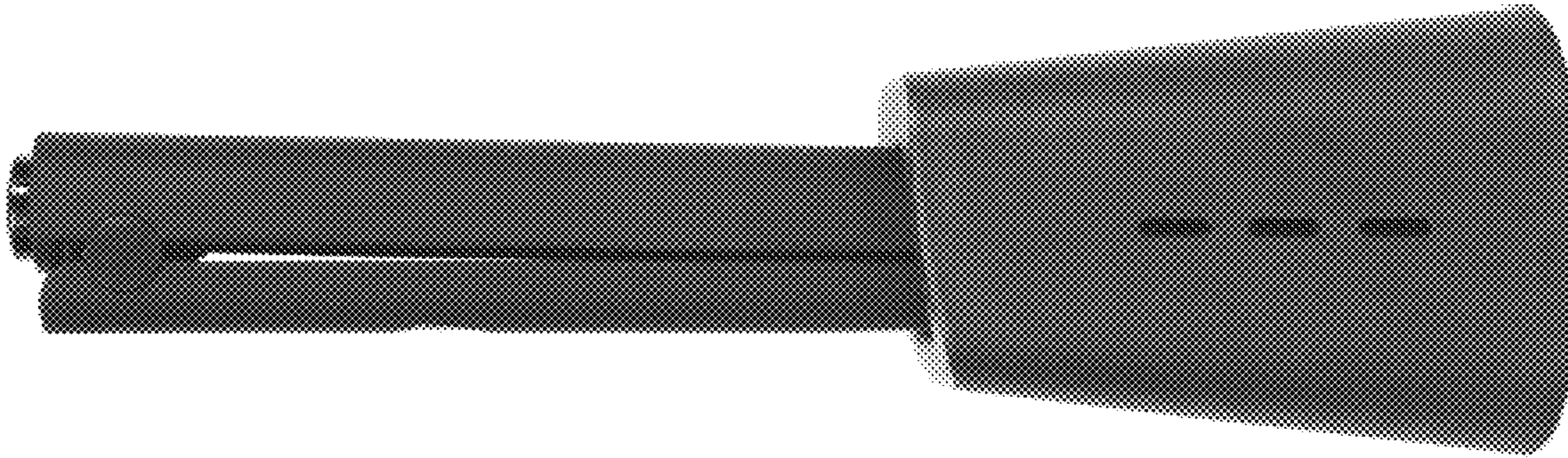


FIG. 5

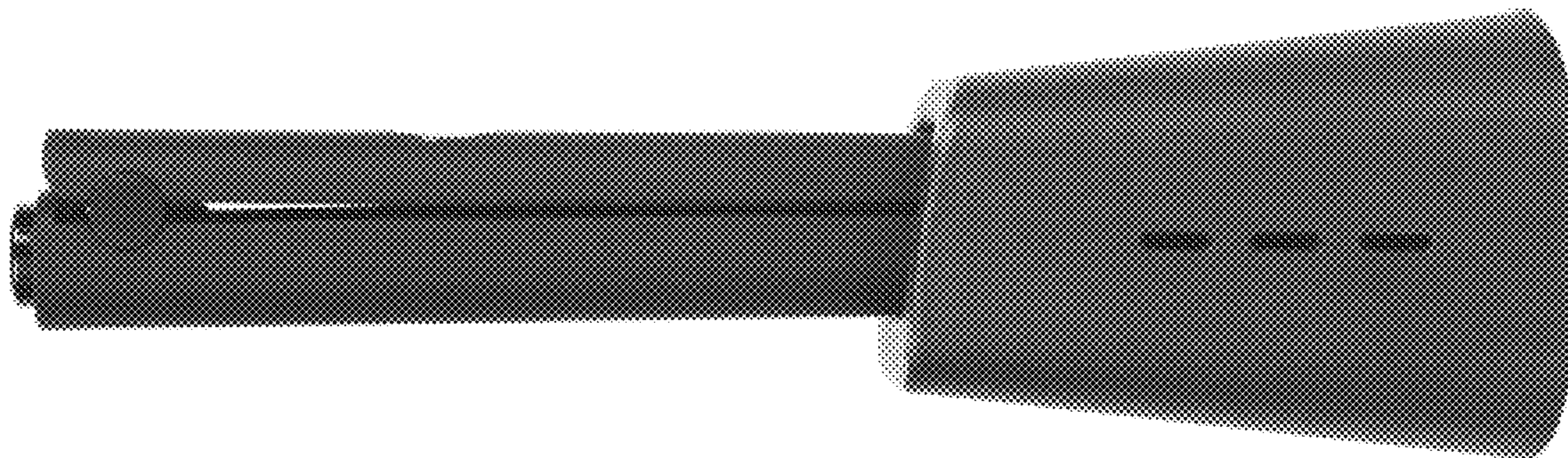


FIG. 4

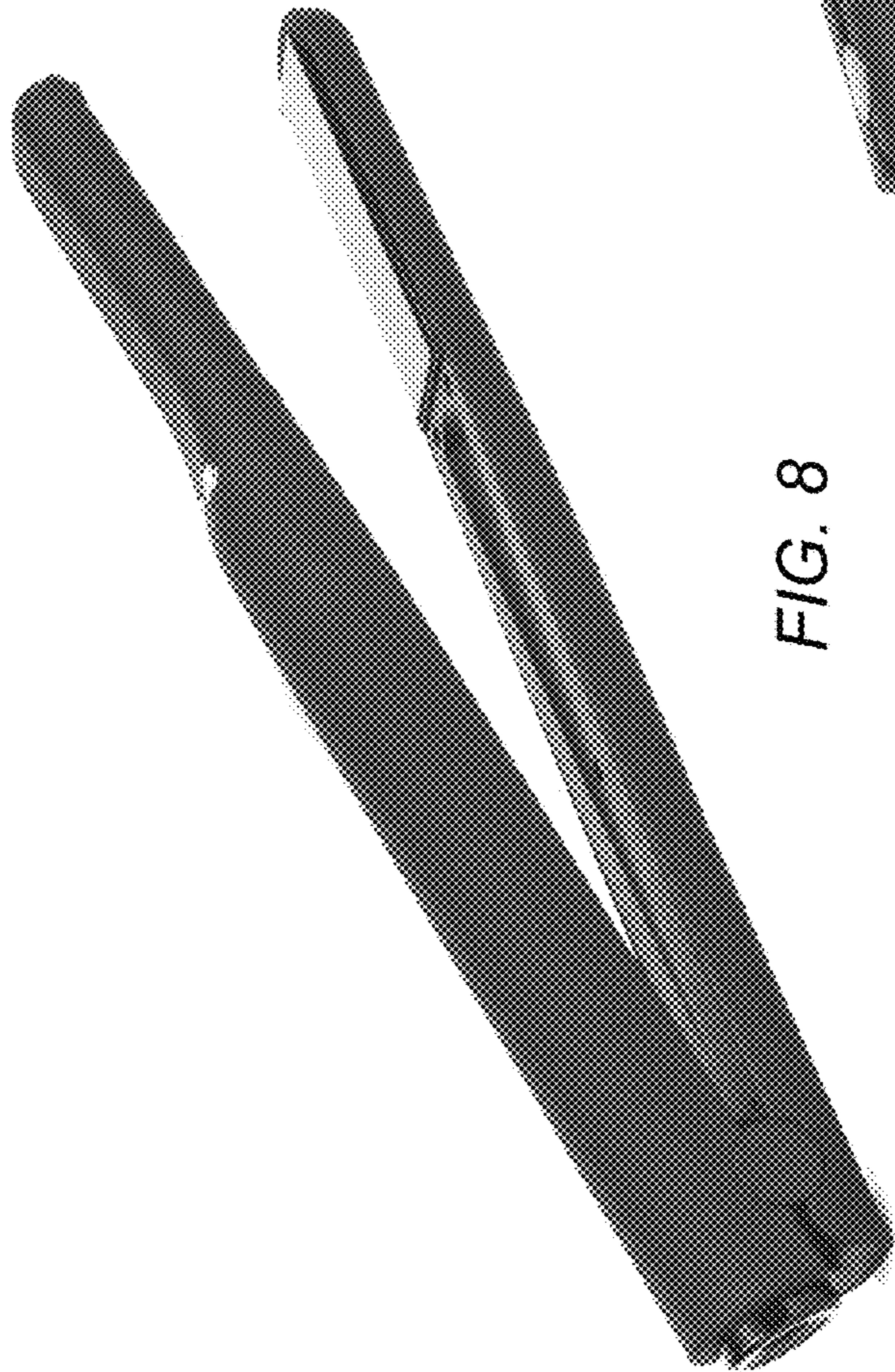


FIG. 8

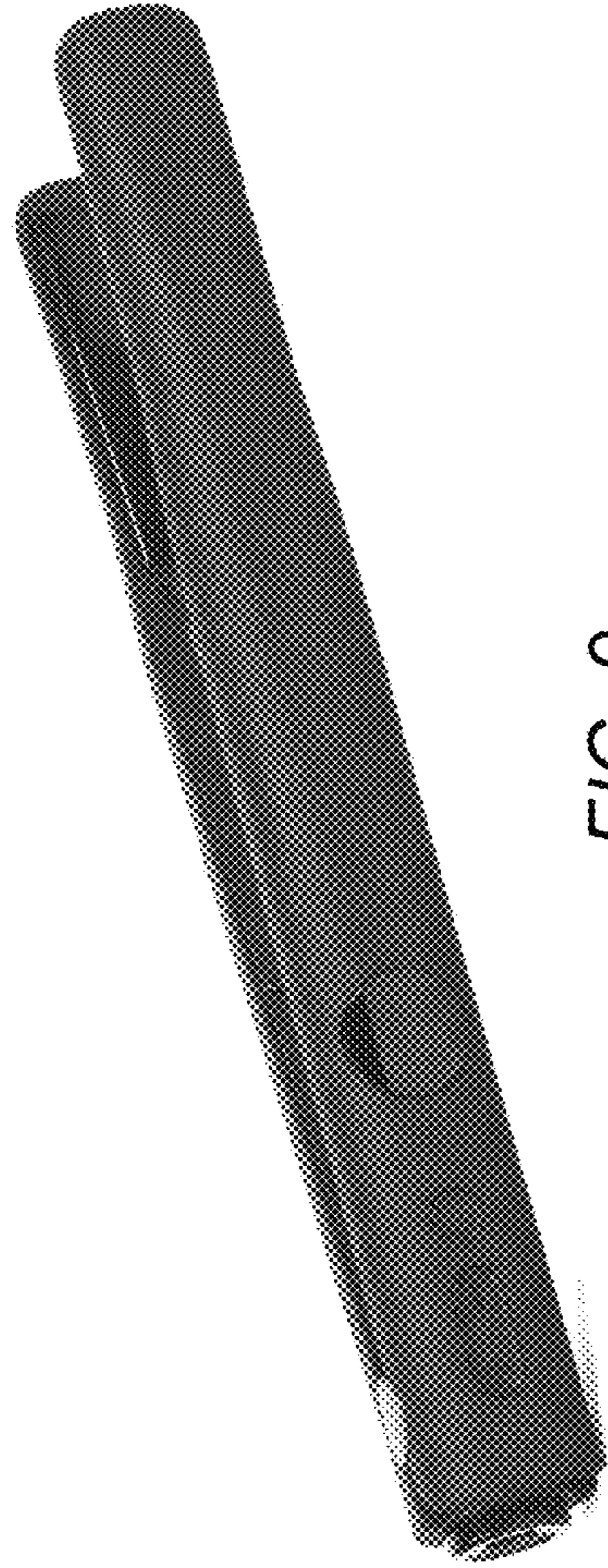


FIG. 9

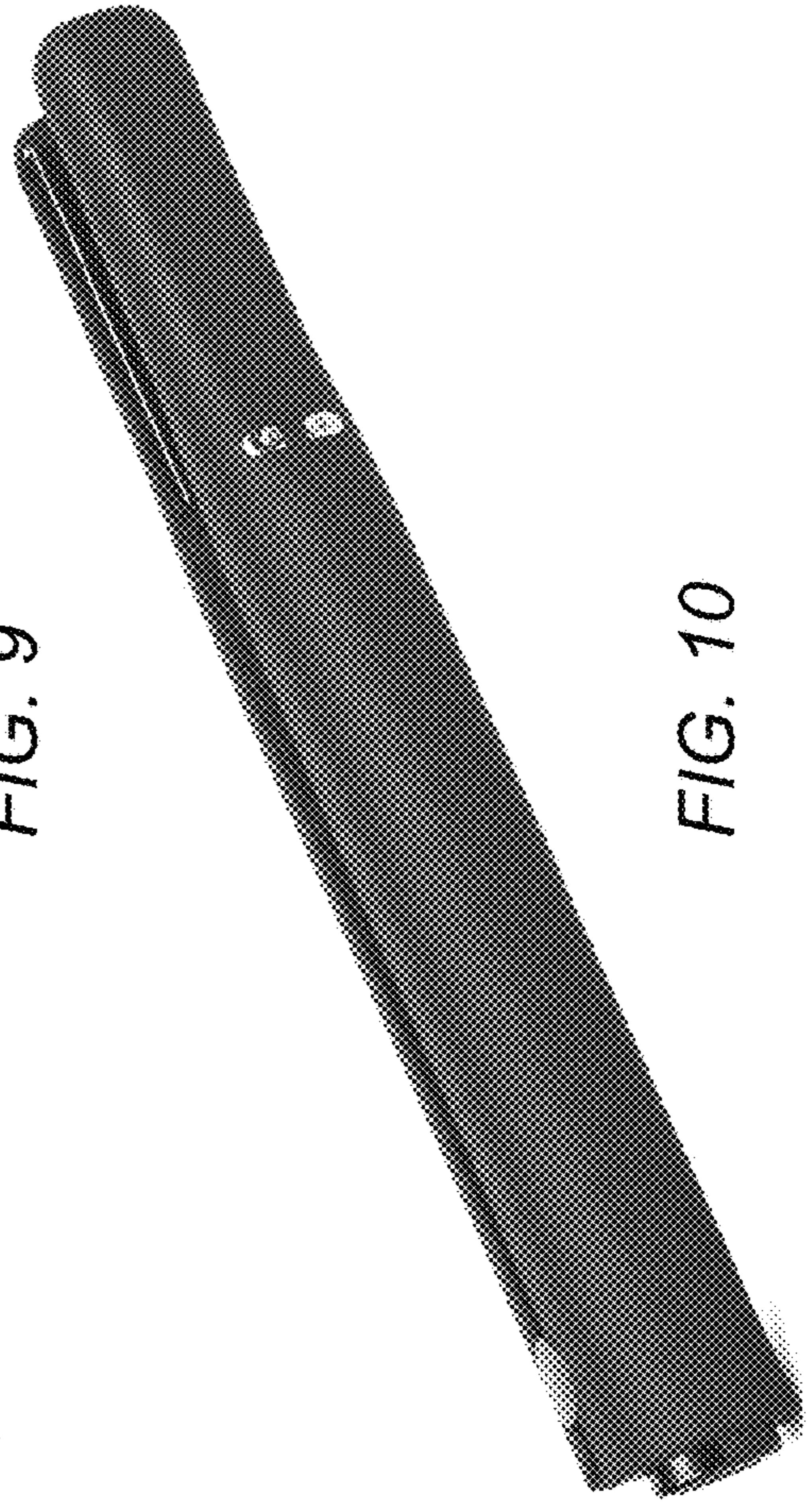


FIG. 10

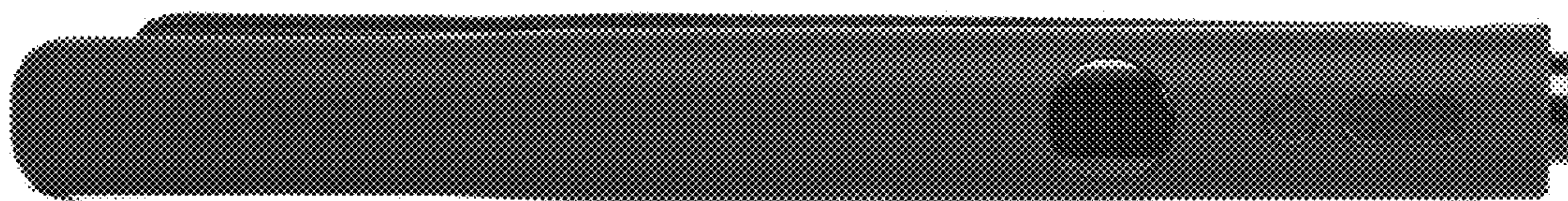


FIG. 11

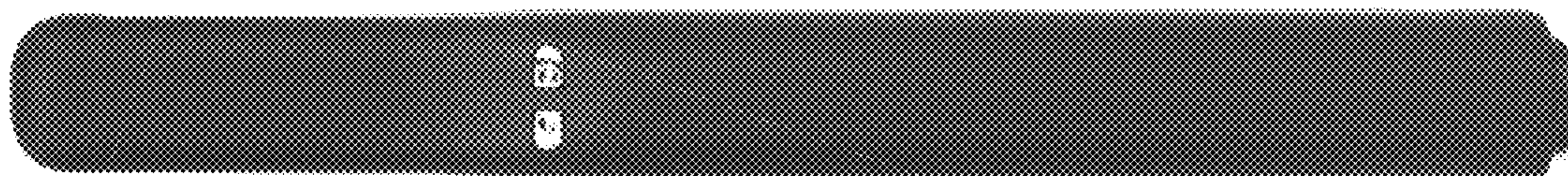


FIG. 12

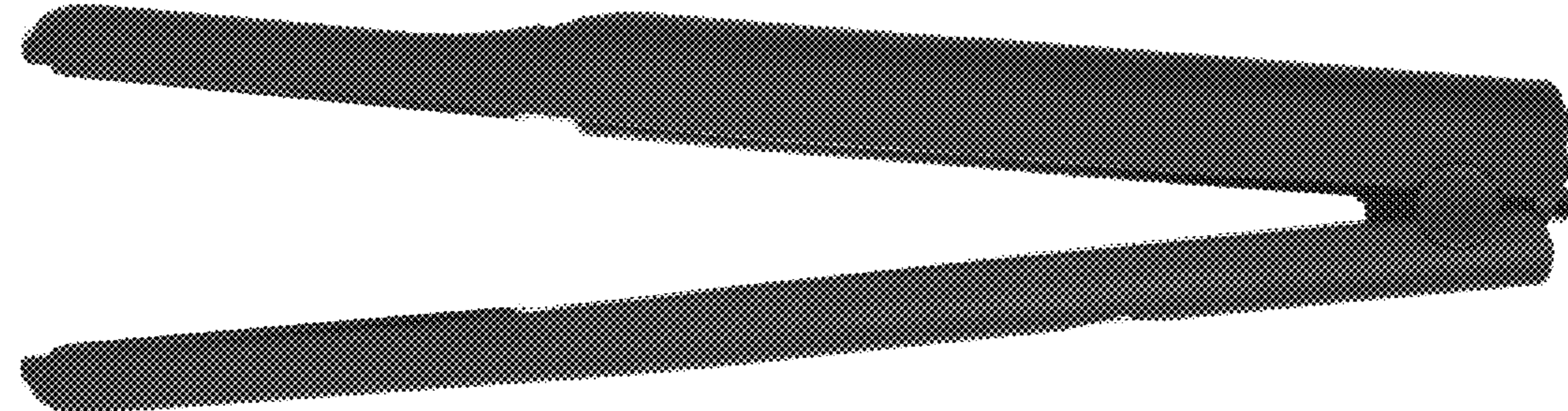


FIG. 13

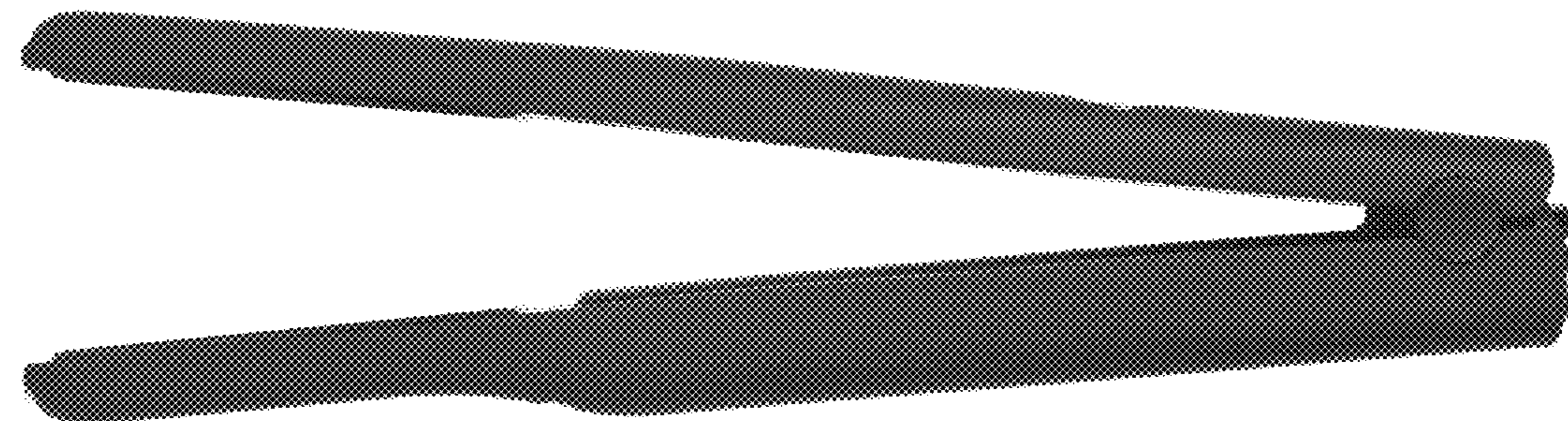


FIG. 14

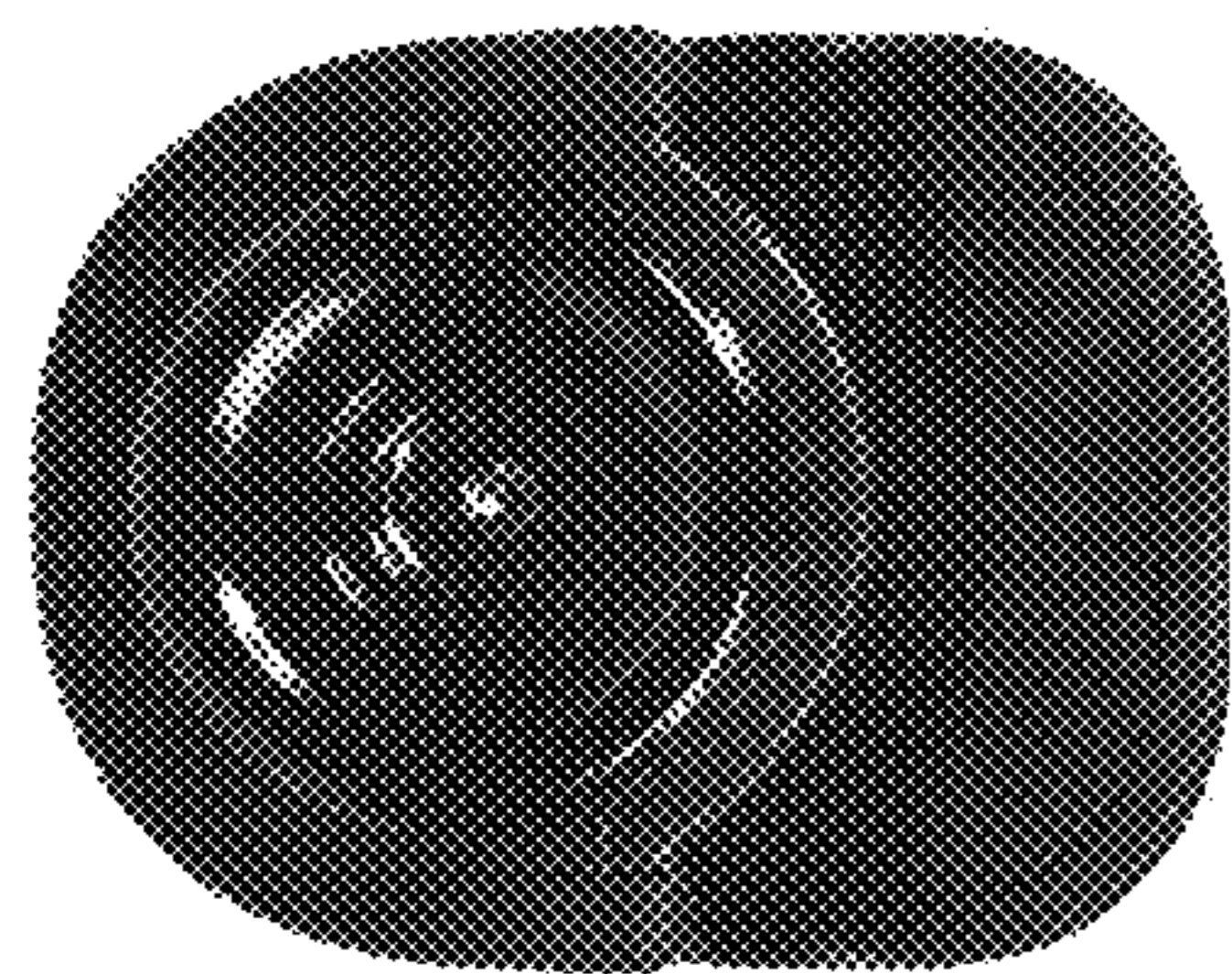


FIG. 15

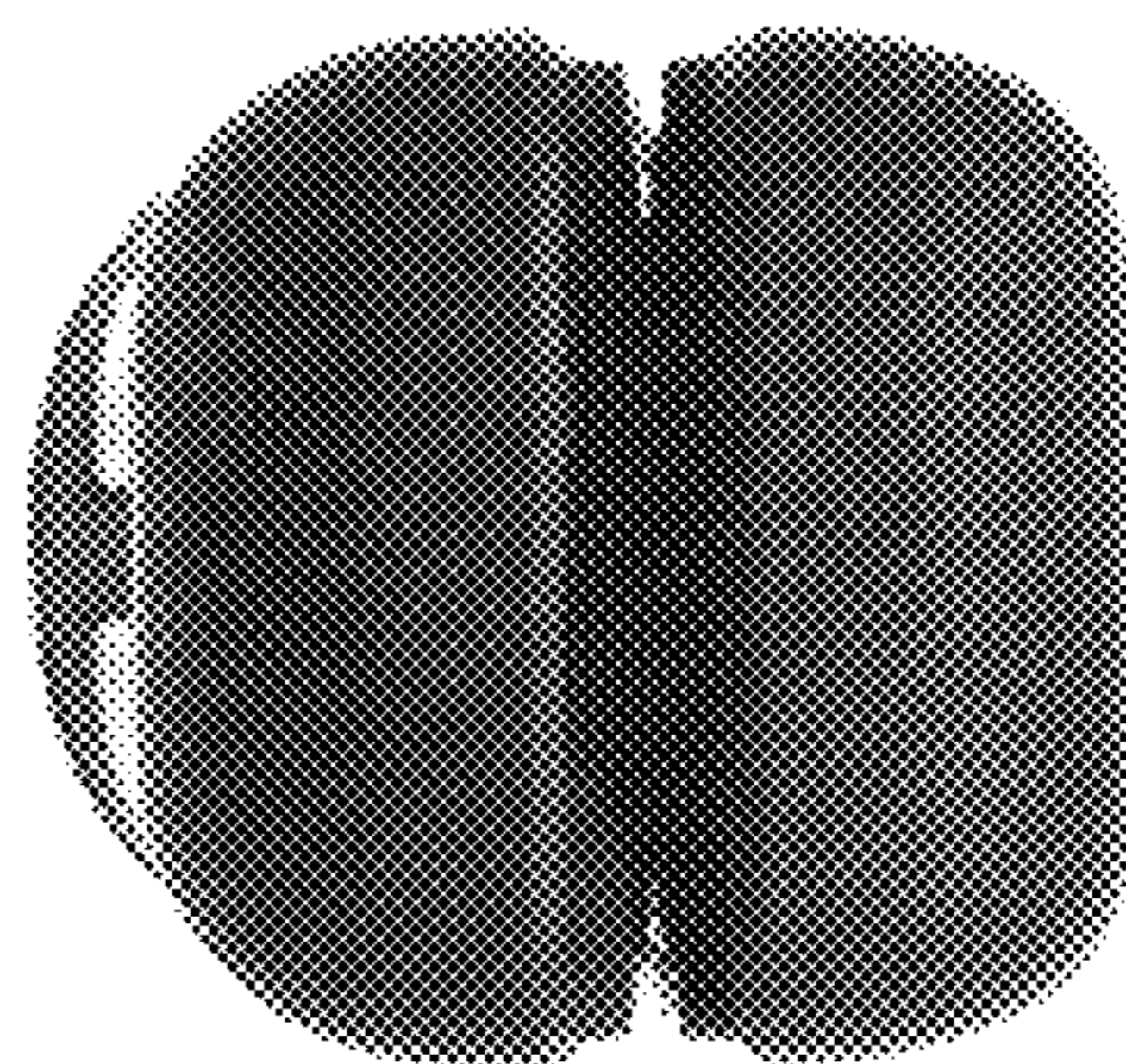


FIG. 16

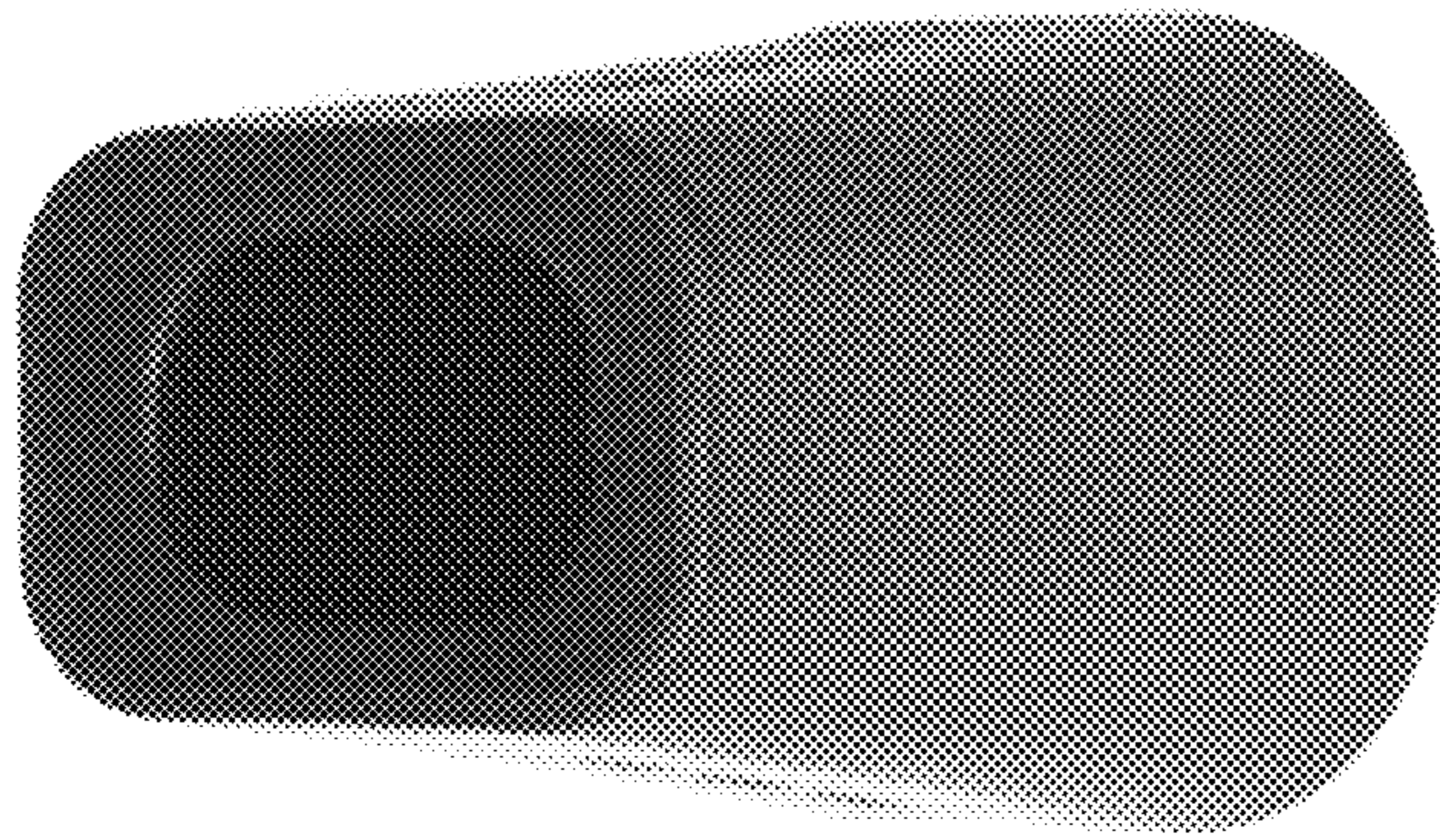


FIG. 17

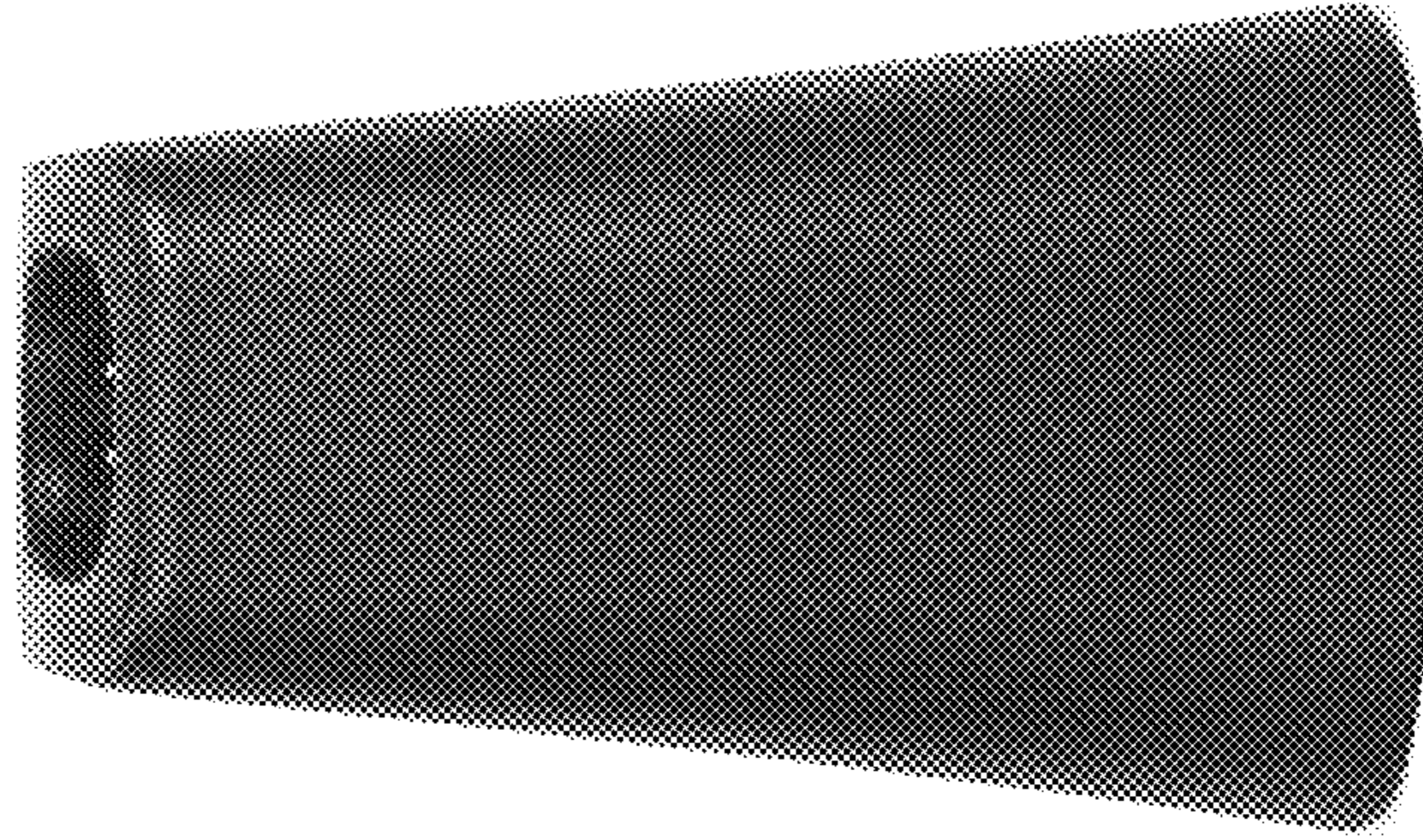


FIG. 18

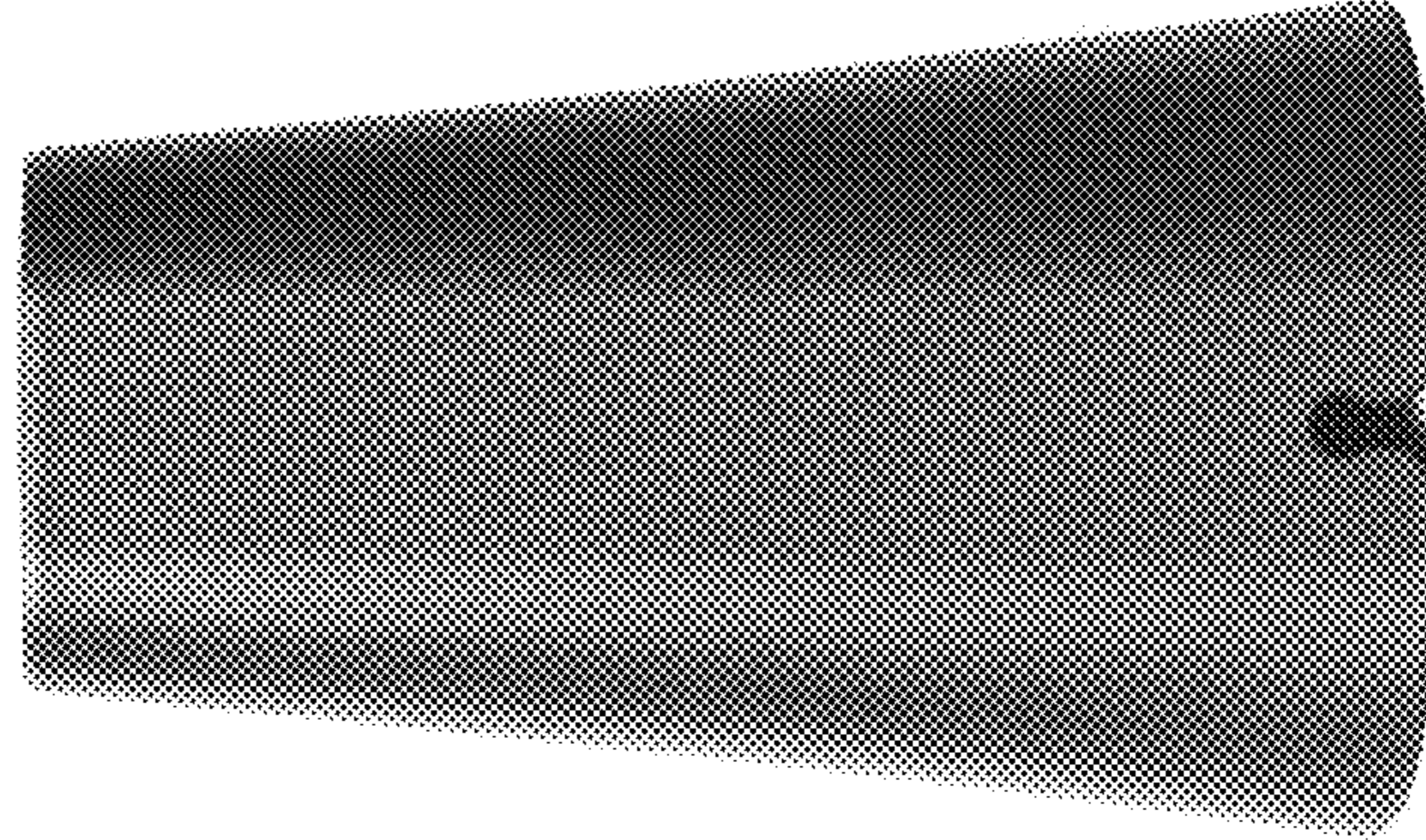


FIG. 19

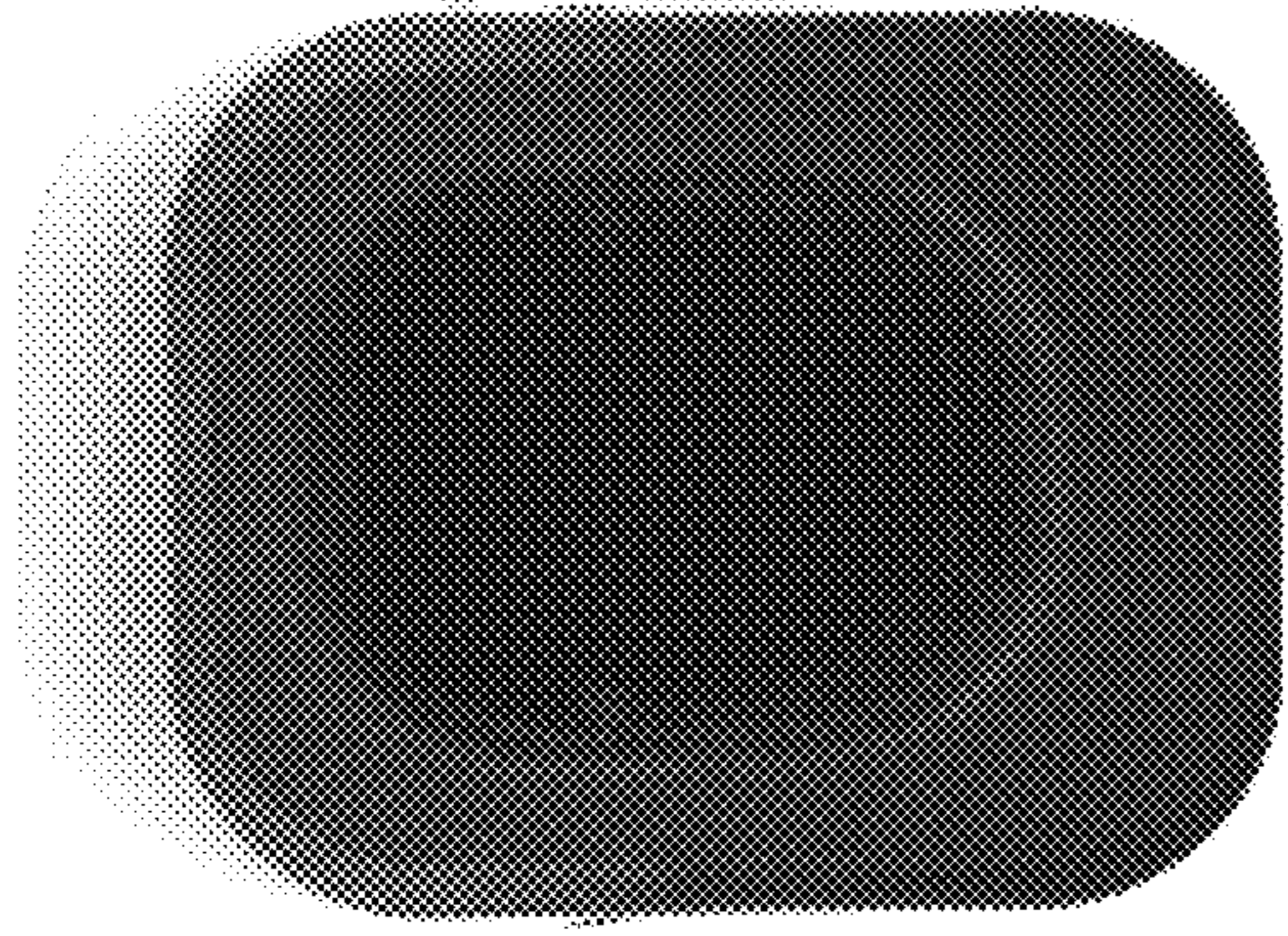


FIG. 22



FIG. 23

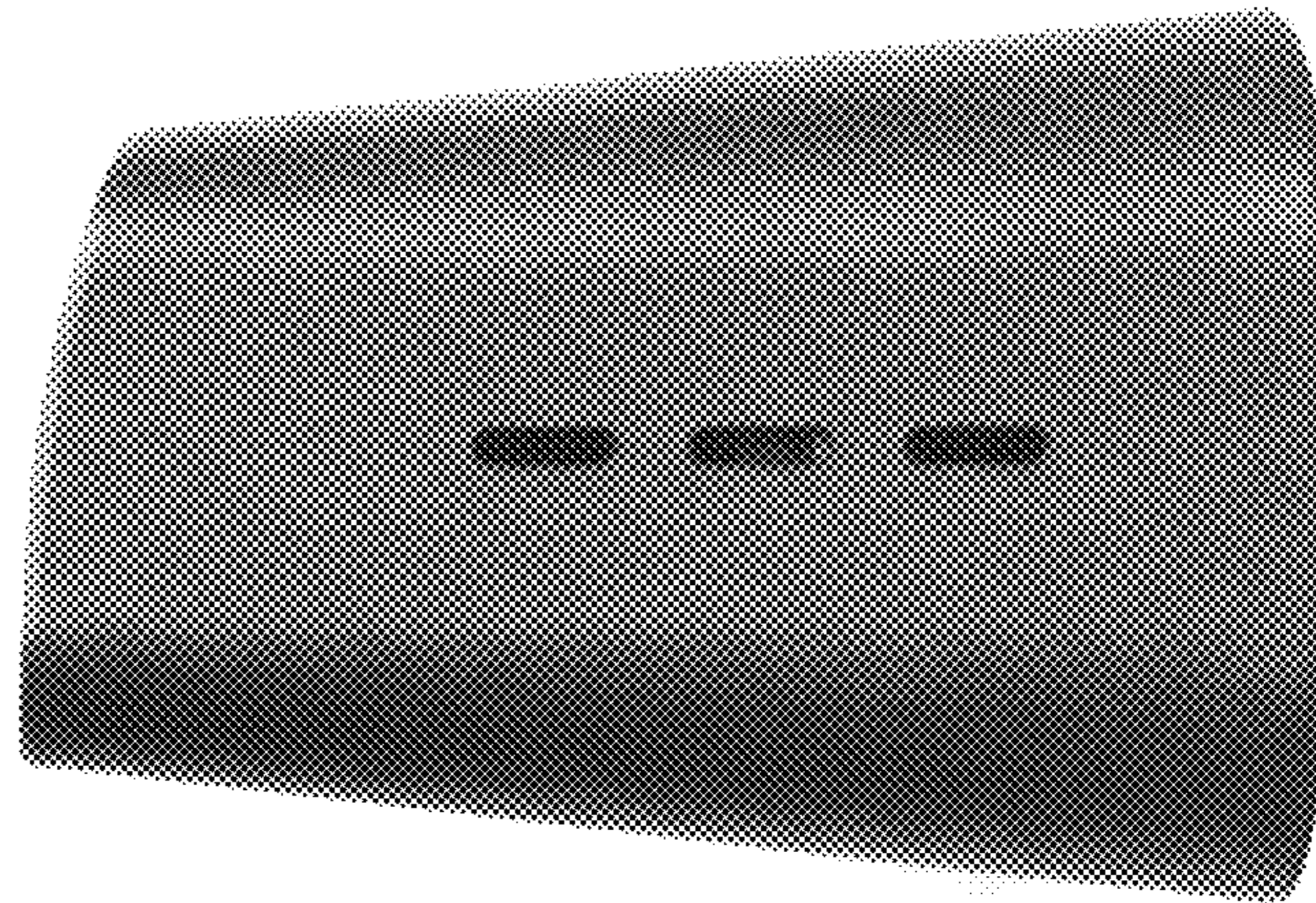


FIG. 21

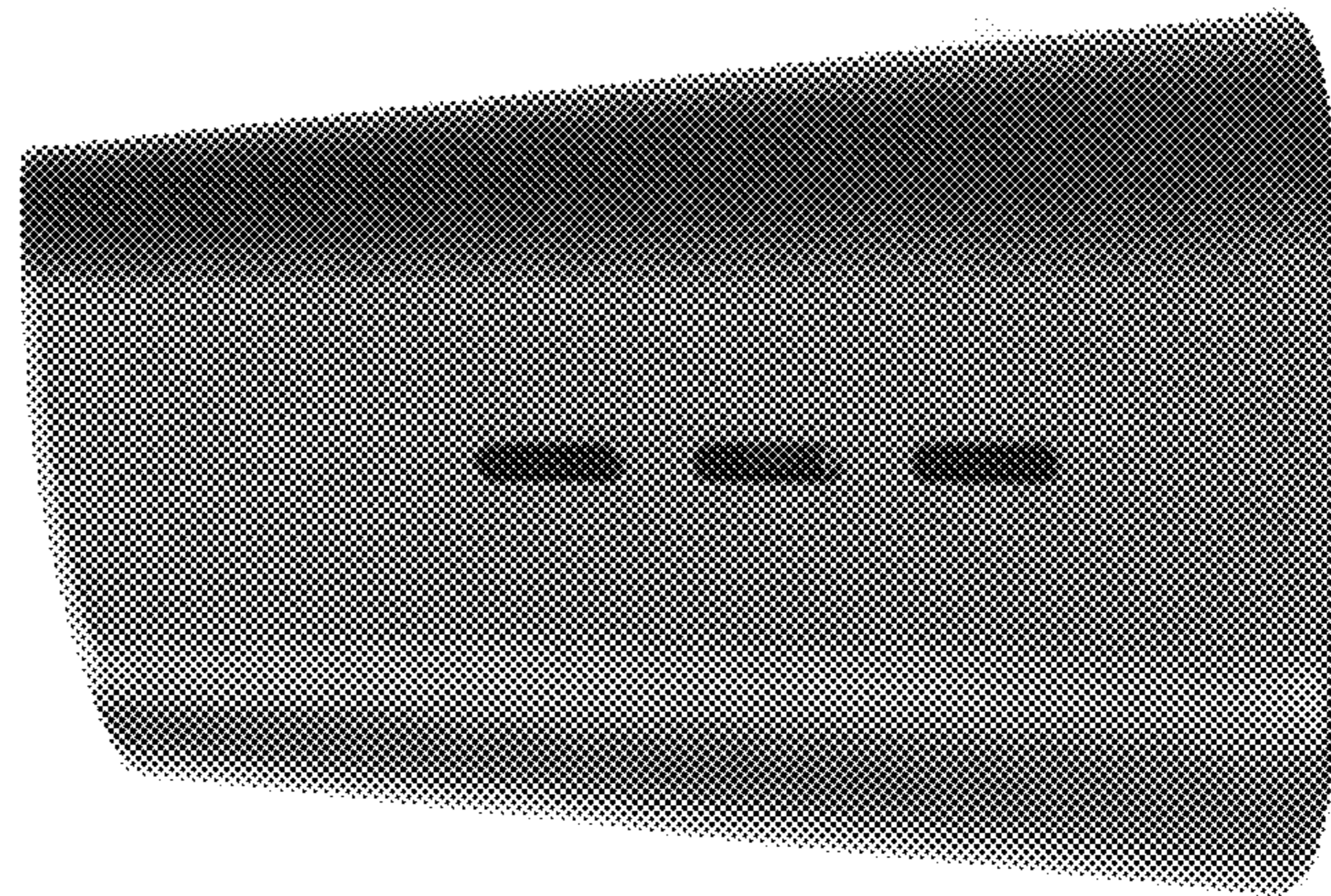


FIG. 20