



US00D932692S

(12) **United States Design Patent**
Wang et al.

(10) **Patent No.:** **US D932,692 S**

(45) **Date of Patent:** **** Oct. 5, 2021**

(54) **HAIR DRYER**

(71) Applicants: **Xiaobing Wang**, Shenzhen (CN);
Liangqing Li, Zhaoqing (CN)

(72) Inventors: **Xiaobing Wang**, Shenzhen (CN);
Liangqing Li, Zhaoqing (CN)

(**) Term: **15 Years**

(21) Appl. No.: **29/723,776**

(22) Filed: **Feb. 10, 2020**

(30) **Foreign Application Priority Data**

Aug. 28, 2019 (CN) 201930471110.X

(51) **LOC (13) Cl.** **28-03**

(52) **U.S. Cl.**
USPC **D28/12**

(58) **Field of Classification Search**
USPC D28/12-19; D8/29.1
CPC A45D 20/00; A45D 20/08; A45D 20/10;
A45D 20/12; A45D 20/122; A45D
20/124; A45D 2020/128
See application file for complete search history.

(56) **References Cited**

U.S. PATENT DOCUMENTS

D250,722 S * 1/1979 Cousins D28/13
D257,067 S * 9/1980 Muller D28/13

D257,492 S * 11/1980 Cousins D28/13
D262,061 S * 11/1981 Janssens D28/13
D286,087 S * 10/1986 Camens D28/13
D341,904 S * 11/1993 Smal D28/15
D519,676 S * 4/2006 Keong D28/13
D666,361 S * 8/2012 Taylor D28/13
D803,479 S * 11/2017 Collier D28/13
D900,390 S * 10/2020 Go D28/13

* cited by examiner

Primary Examiner — Zenia I Bennett

(74) *Attorney, Agent, or Firm* — BakerHostetler

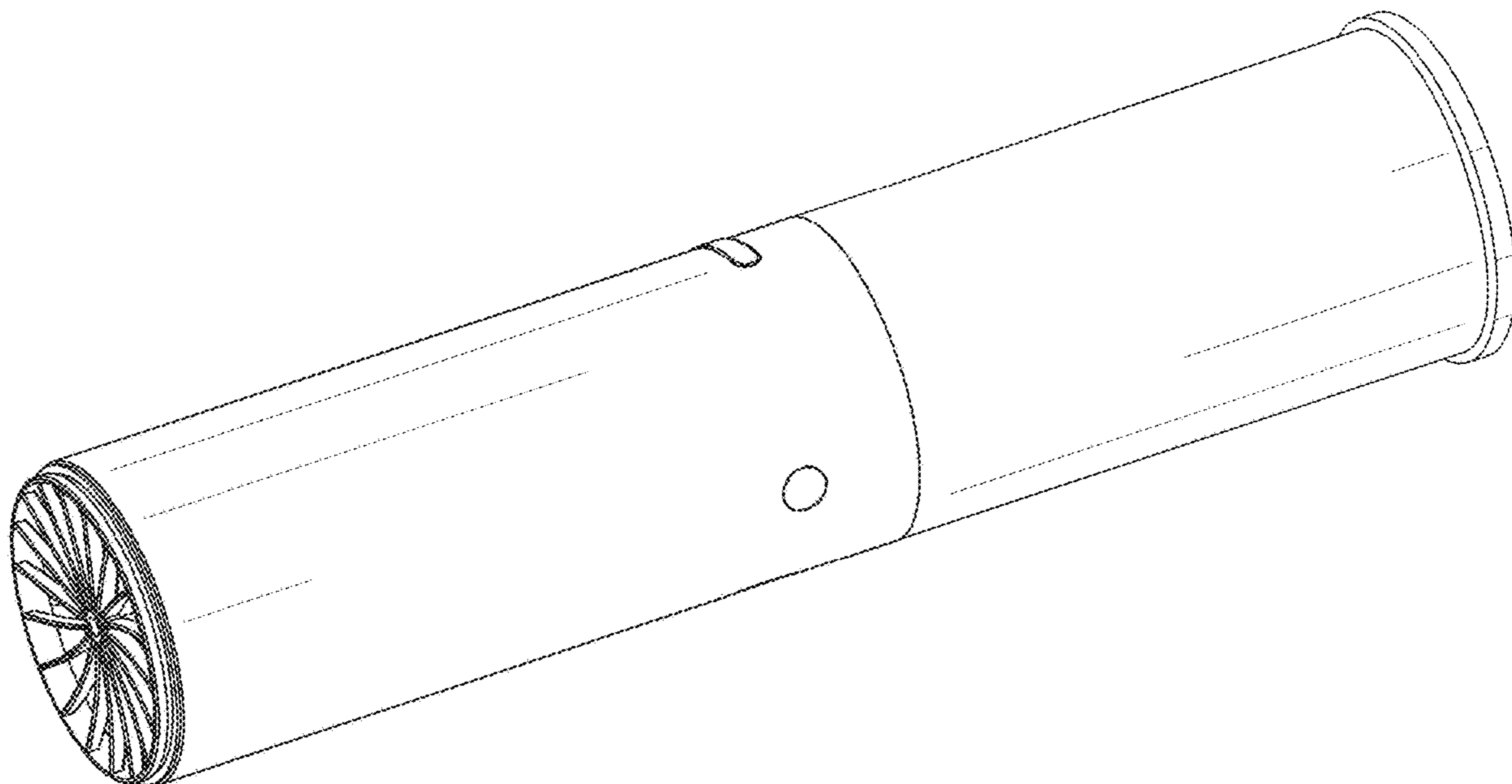
(57) **CLAIM**

We claim the ornamental design for a hair dryer, as shown and described.

DESCRIPTION

FIG. 1 is a perspective view of a hair dryer showing our design;
FIG. 2 is a top view thereof;
FIG. 3 is a bottom view thereof;
FIG. 4 is a front view thereof;
FIG. 5 is a rear view thereof;
FIG. 6 is a left view thereof; and,
FIG. 7 is a right view thereof.

1 Claim, 4 Drawing Sheets



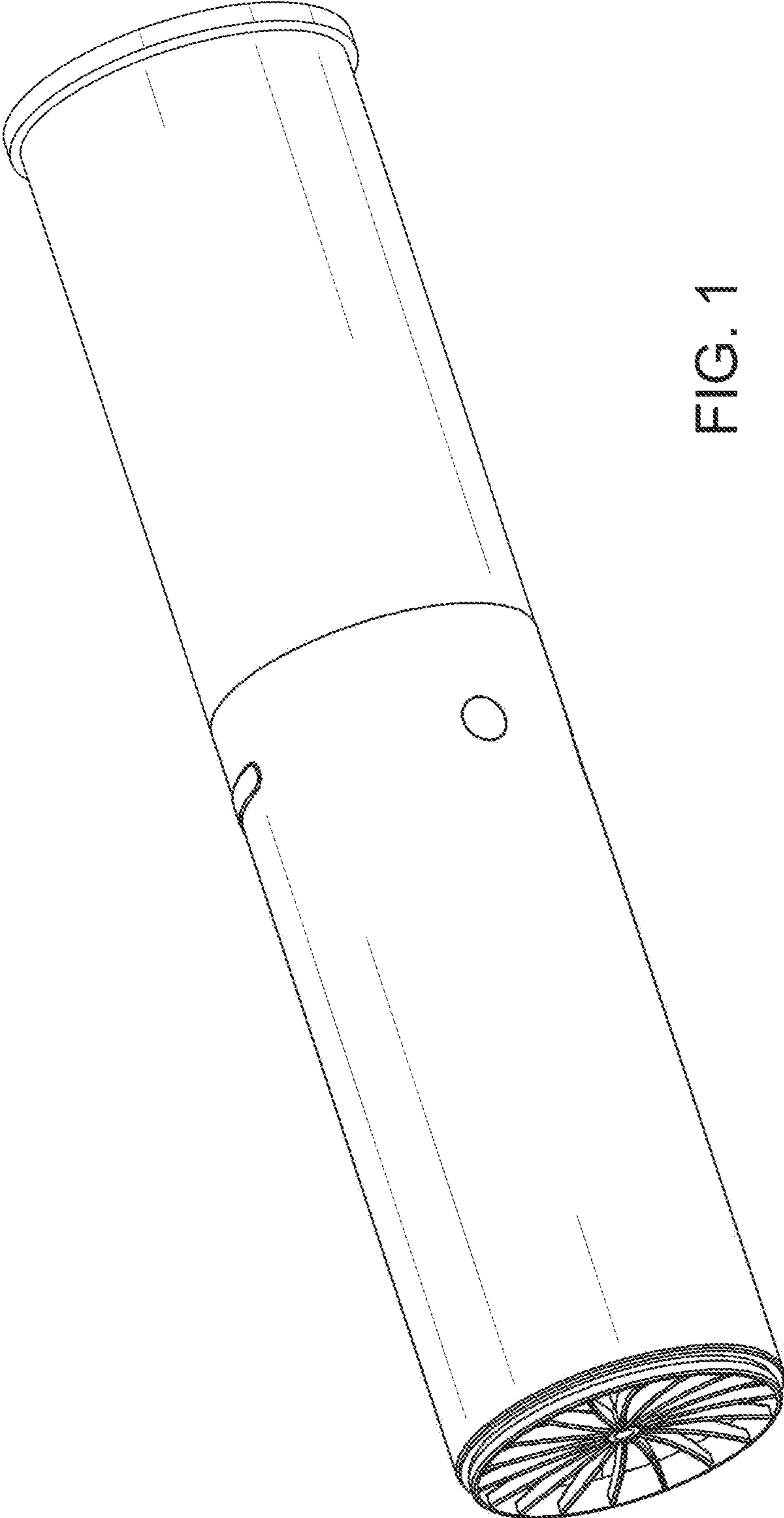


FIG. 1

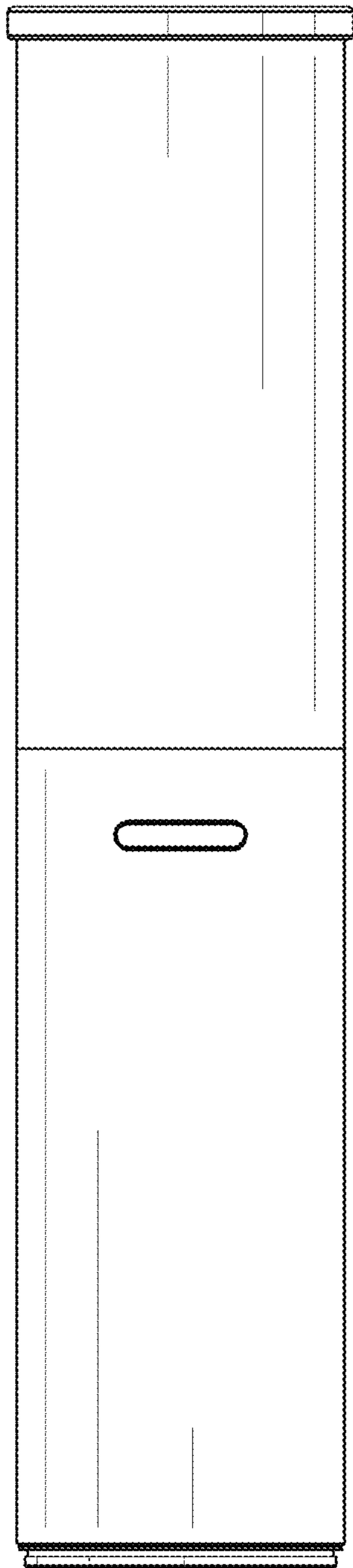


FIG. 2

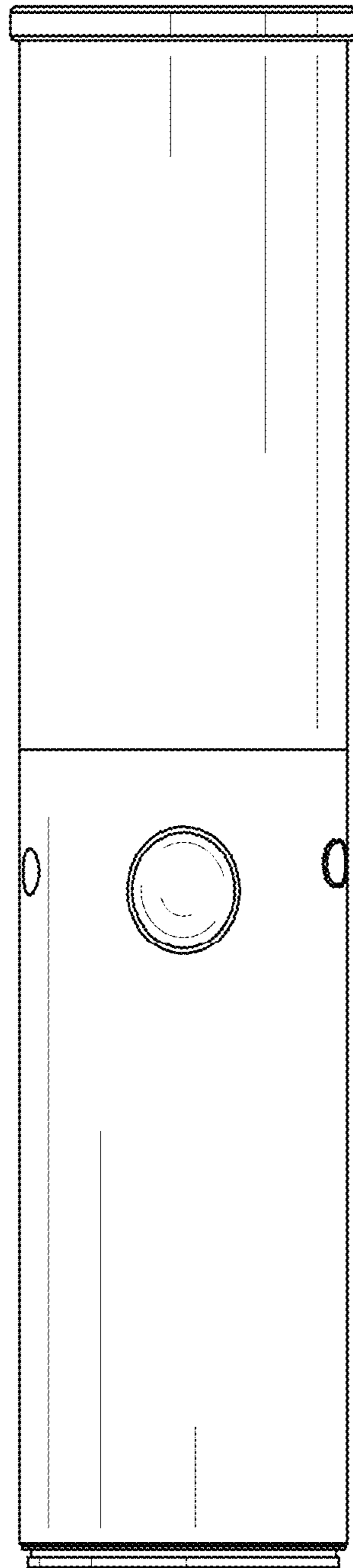


FIG. 3

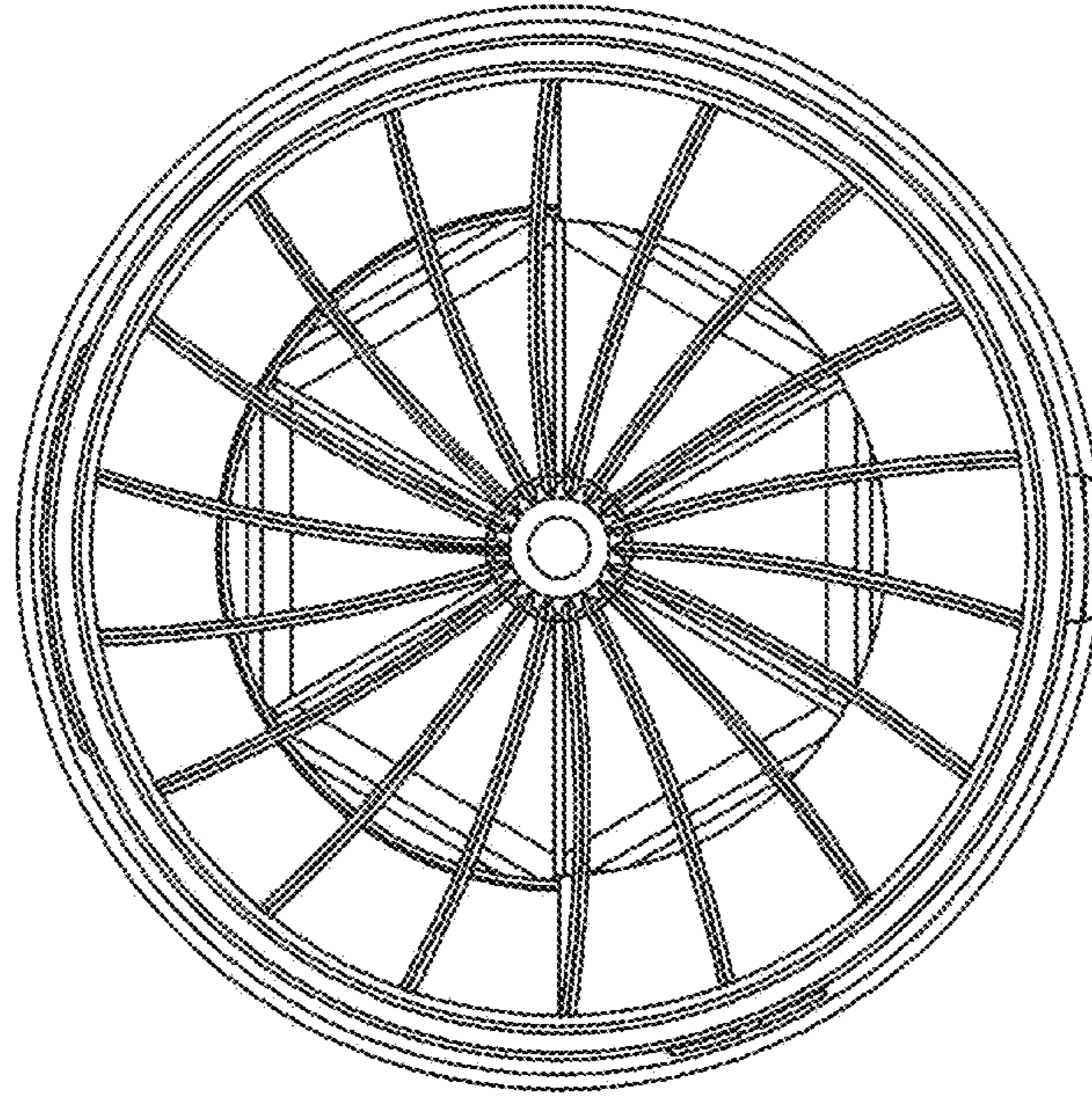


FIG. 4

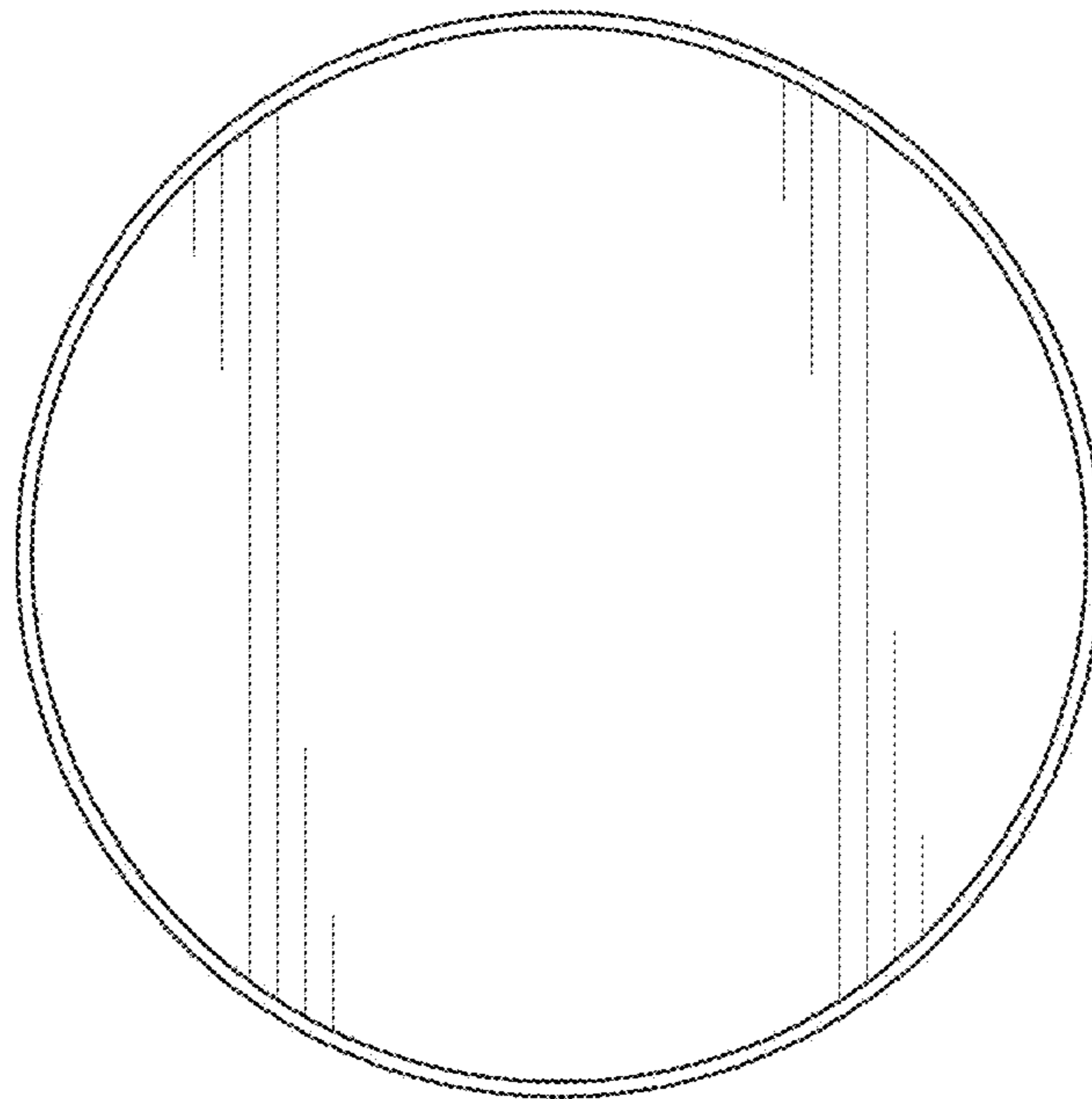


FIG. 5

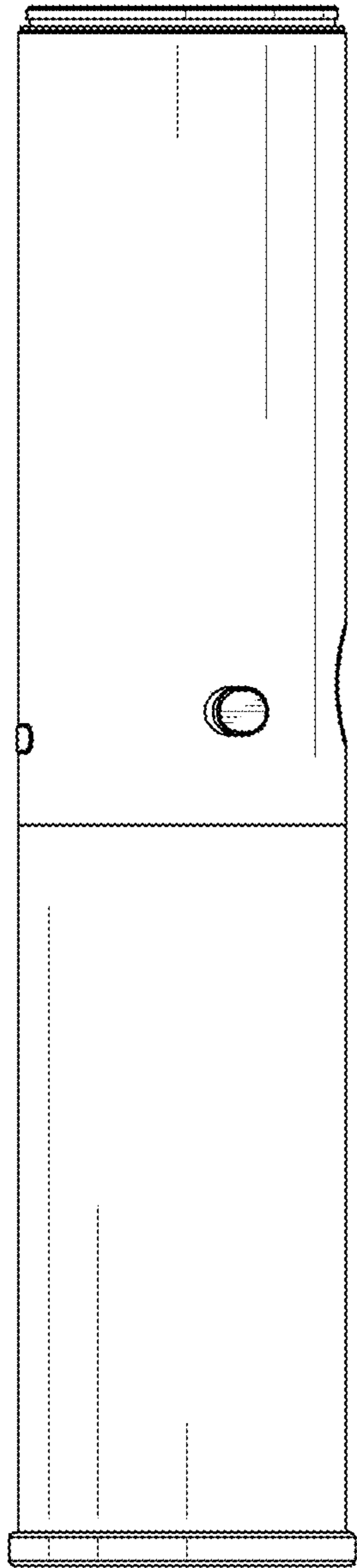


FIG. 6

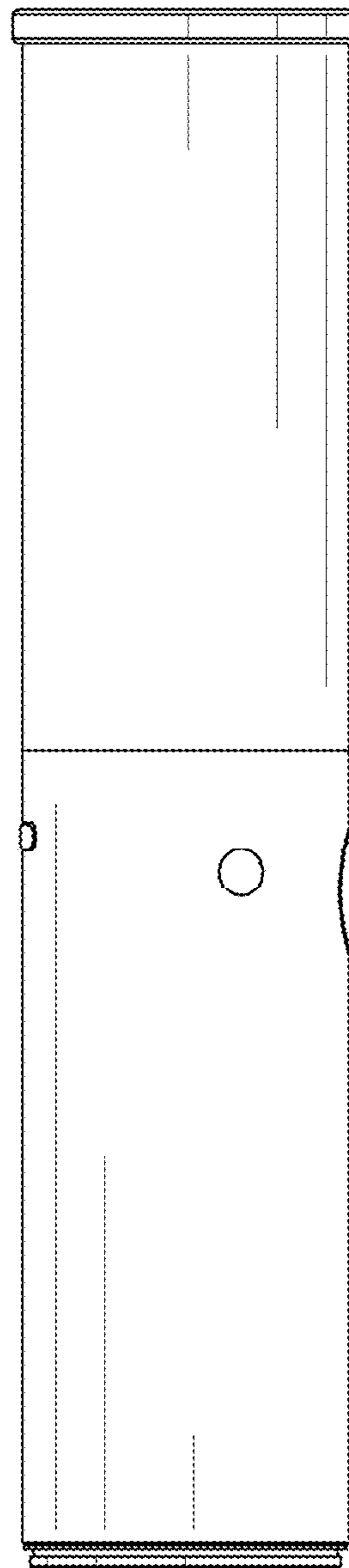


FIG. 7