

US00D932691S

(12) **United States Design Patent**  
**Wang et al.**

(10) **Patent No.:** **US D932,691 S**

(45) **Date of Patent:** **\*\* Oct. 5, 2021**

(54) **HAIR DRYER**

(71) Applicants: **Xiaobing Wang**, Shenzhen (CN);  
**Liangqing Li**, Zhaoqing (CN)

(72) Inventors: **Xiaobing Wang**, Shenzhen (CN);  
**Liangqing Li**, Zhaoqing (CN)

(\*\*) Term: **15 Years**

(21) Appl. No.: **29/723,775**

(22) Filed: **Feb. 10, 2020**

(51) **LOC (13) Cl.** ..... **28-03**

(52) **U.S. Cl.**  
USPC ..... **D28/12**

(58) **Field of Classification Search**  
USPC ..... D28/12-19; D8/29.1  
CPC ..... A45D 20/00; A45D 20/08; A45D 20/10;  
A45D 20/12; A45D 20/122; A45D  
20/124; A45D 2020/128  
See application file for complete search history.

(56) **References Cited**

**U.S. PATENT DOCUMENTS**

D250,722 S \* 1/1979 Cousins ..... D28/13  
D257,067 S \* 9/1980 Muller ..... D28/13

D257,492 S \* 11/1980 Cousins ..... D28/13  
D262,061 S \* 11/1981 Janssens ..... D28/13  
D286,087 S \* 10/1986 Camens ..... D28/13  
D341,904 S \* 11/1993 Smal ..... D28/15  
D519,676 S \* 4/2006 Keong ..... D28/13  
D666,361 S \* 8/2012 Taylor ..... D28/13  
D803,479 S \* 11/2017 Collier ..... D28/13  
D900,390 S \* 10/2020 Go ..... D28/13

\* cited by examiner

*Primary Examiner* — Zenia I Bennett

(74) *Attorney, Agent, or Firm* — BakerHostetler

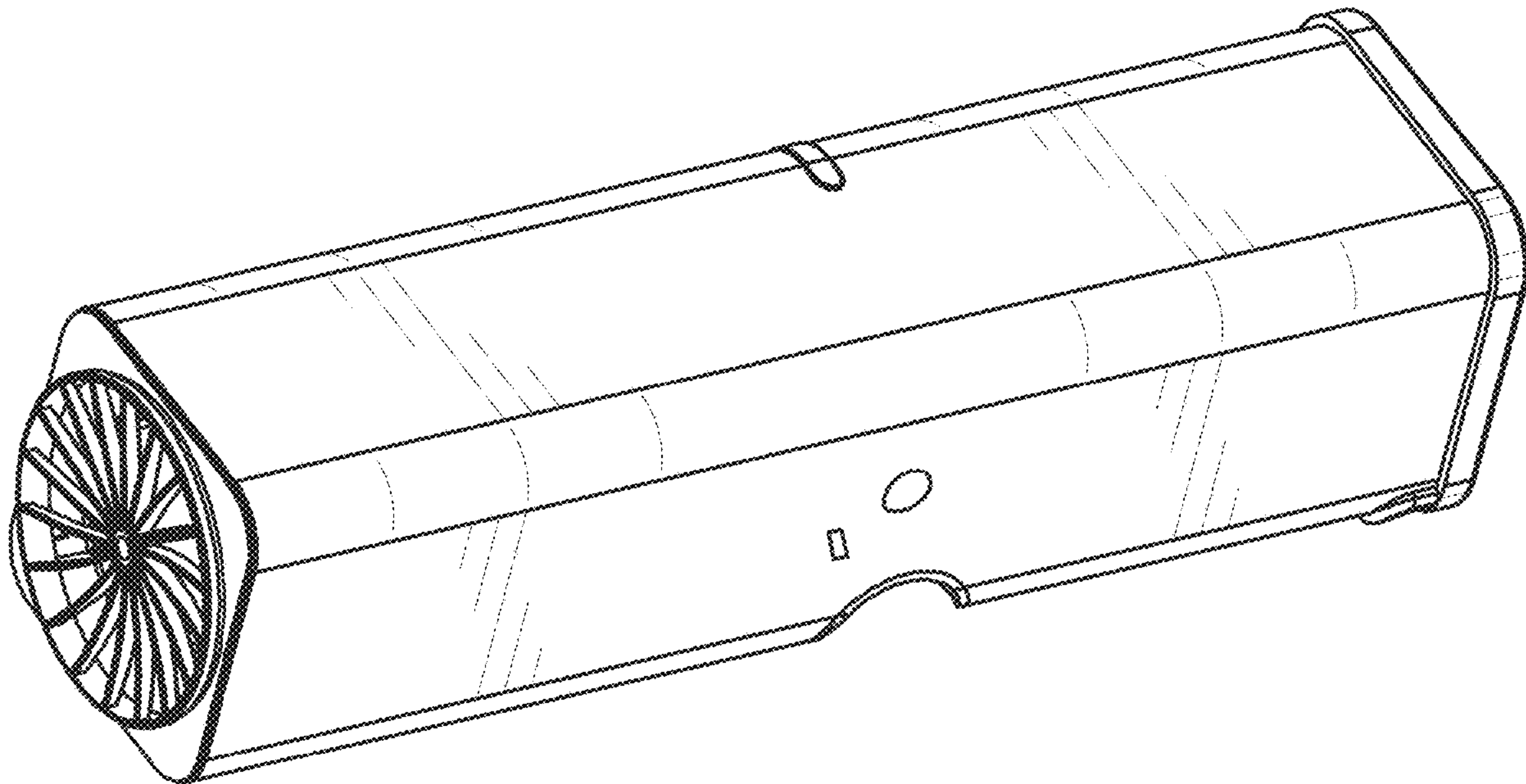
(57) **CLAIM**

The ornamental design for a hair dryer, as shown and described.

**DESCRIPTION**

FIG. 1 is a perspective view of a hair dryer showing our design;  
FIG. 2 is a top view thereof;  
FIG. 3 is a bottom view thereof;  
FIG. 4 is a front view thereof;  
FIG. 5 is a rear view thereof;  
FIG. 6 is a left view thereof; and,  
FIG. 7 is a right view thereof.

**1 Claim, 4 Drawing Sheets**



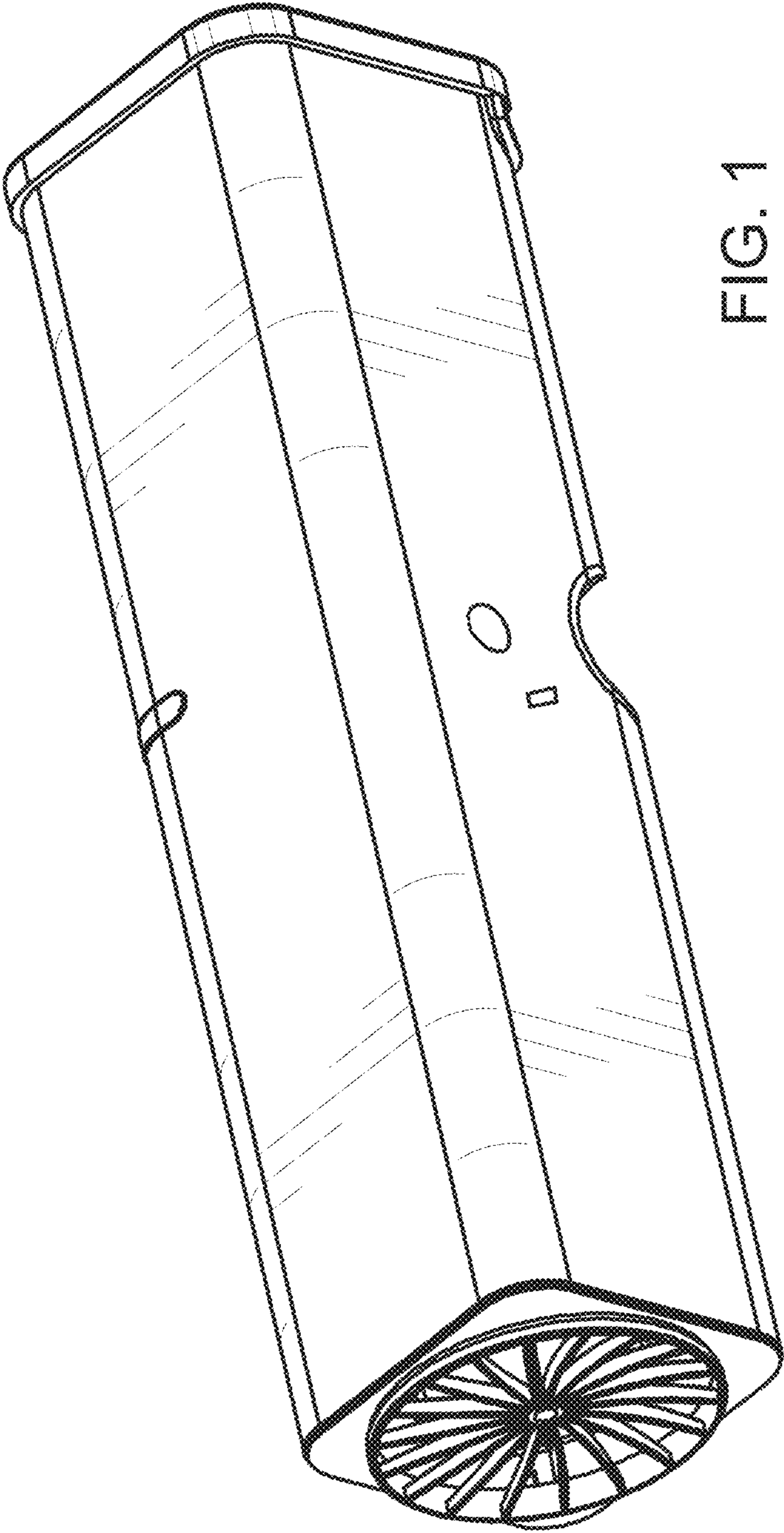


FIG. 1

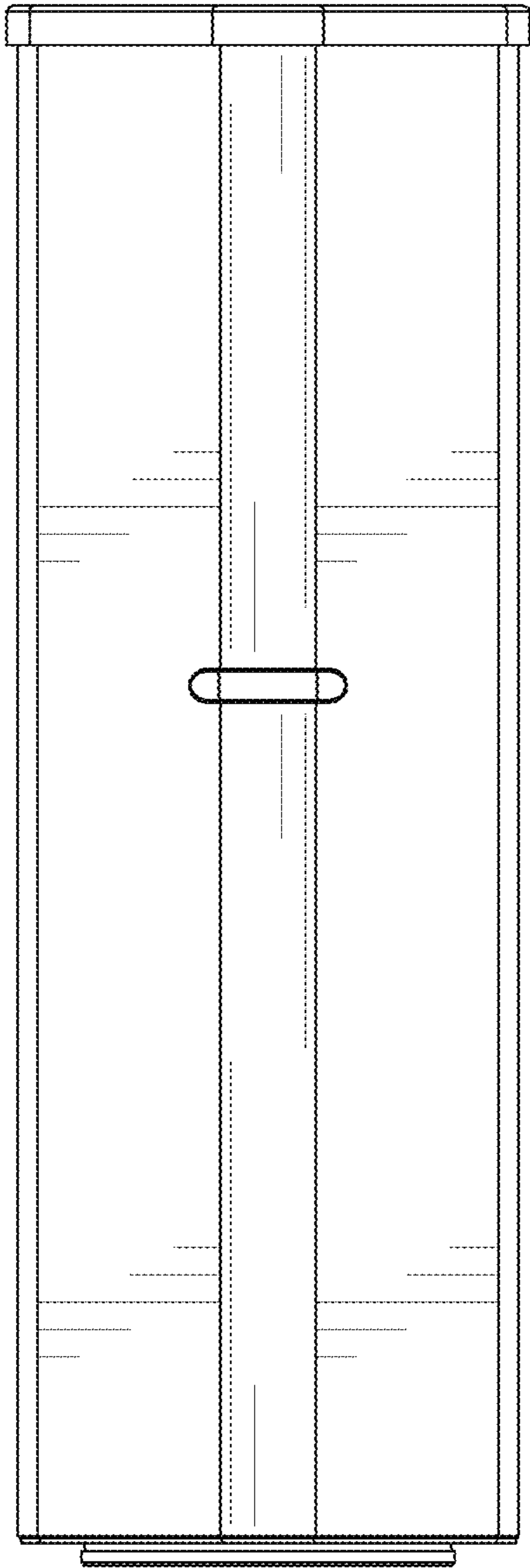


FIG. 2

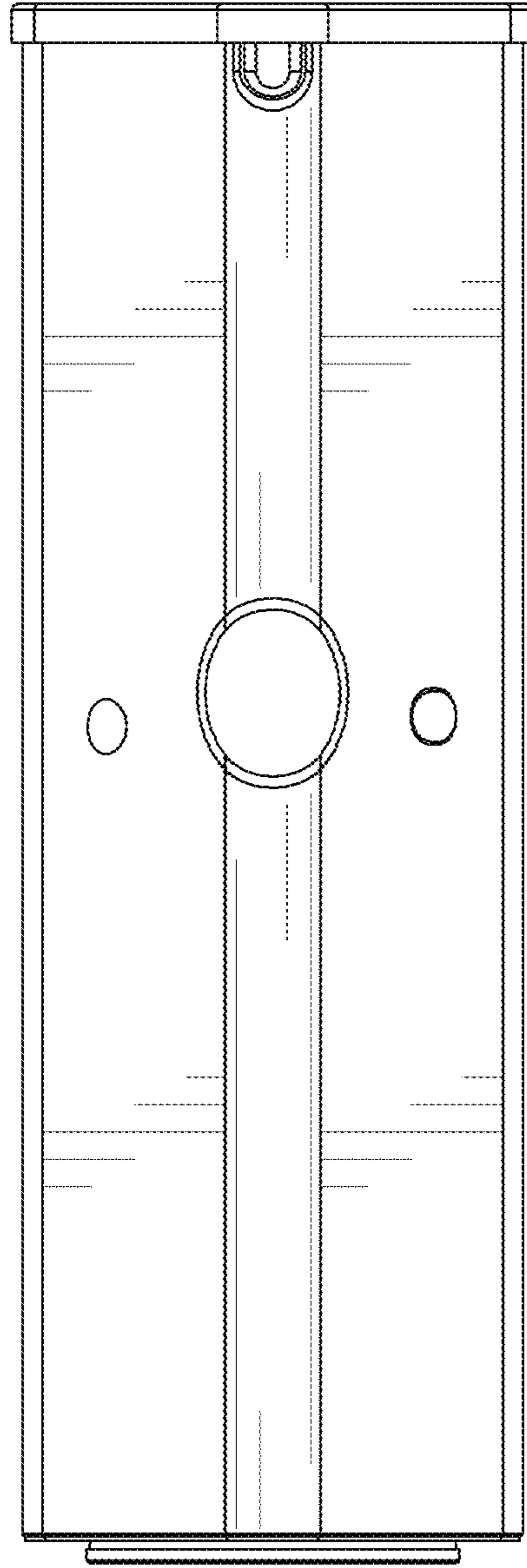


FIG. 3



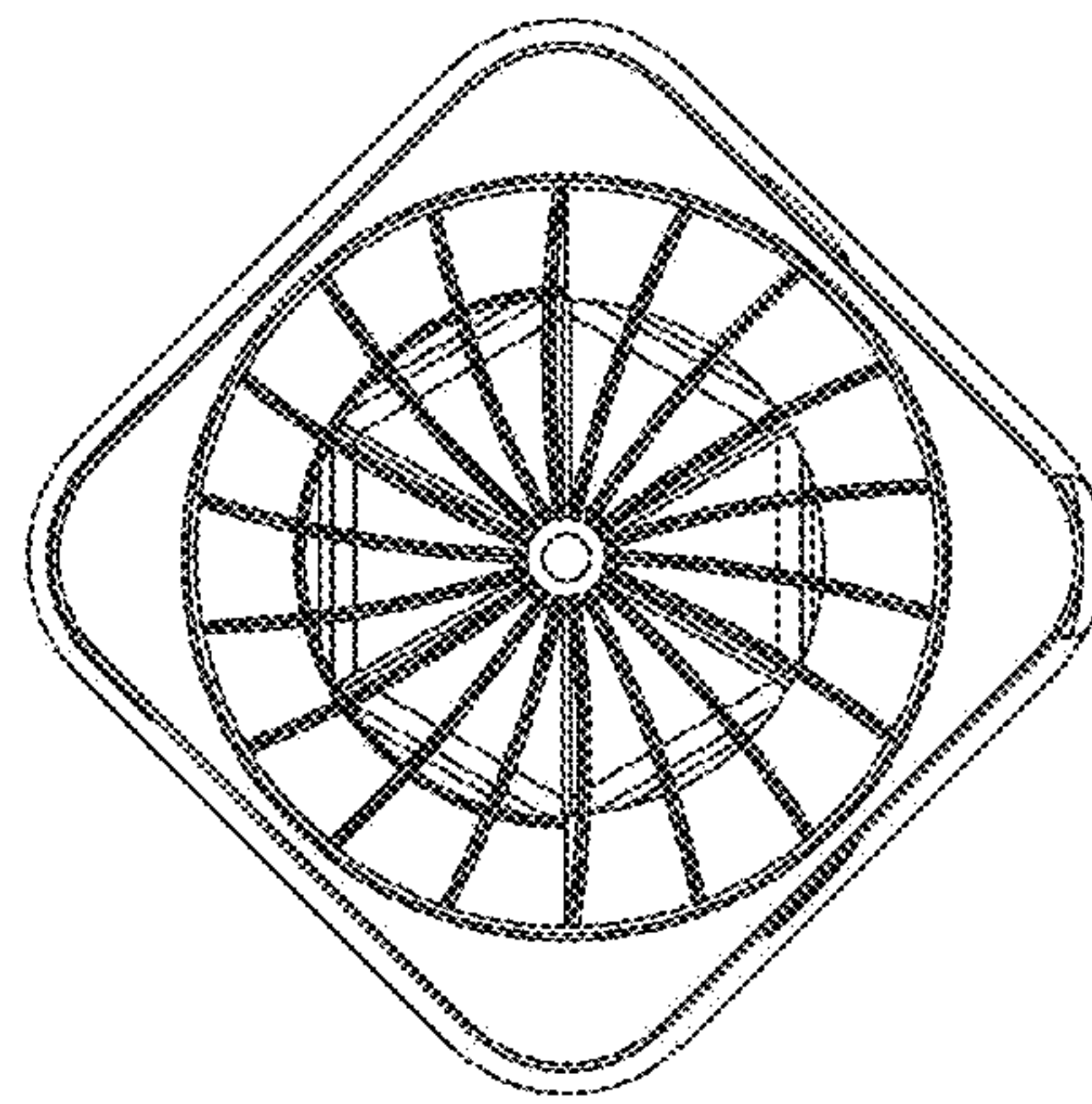


FIG. 4

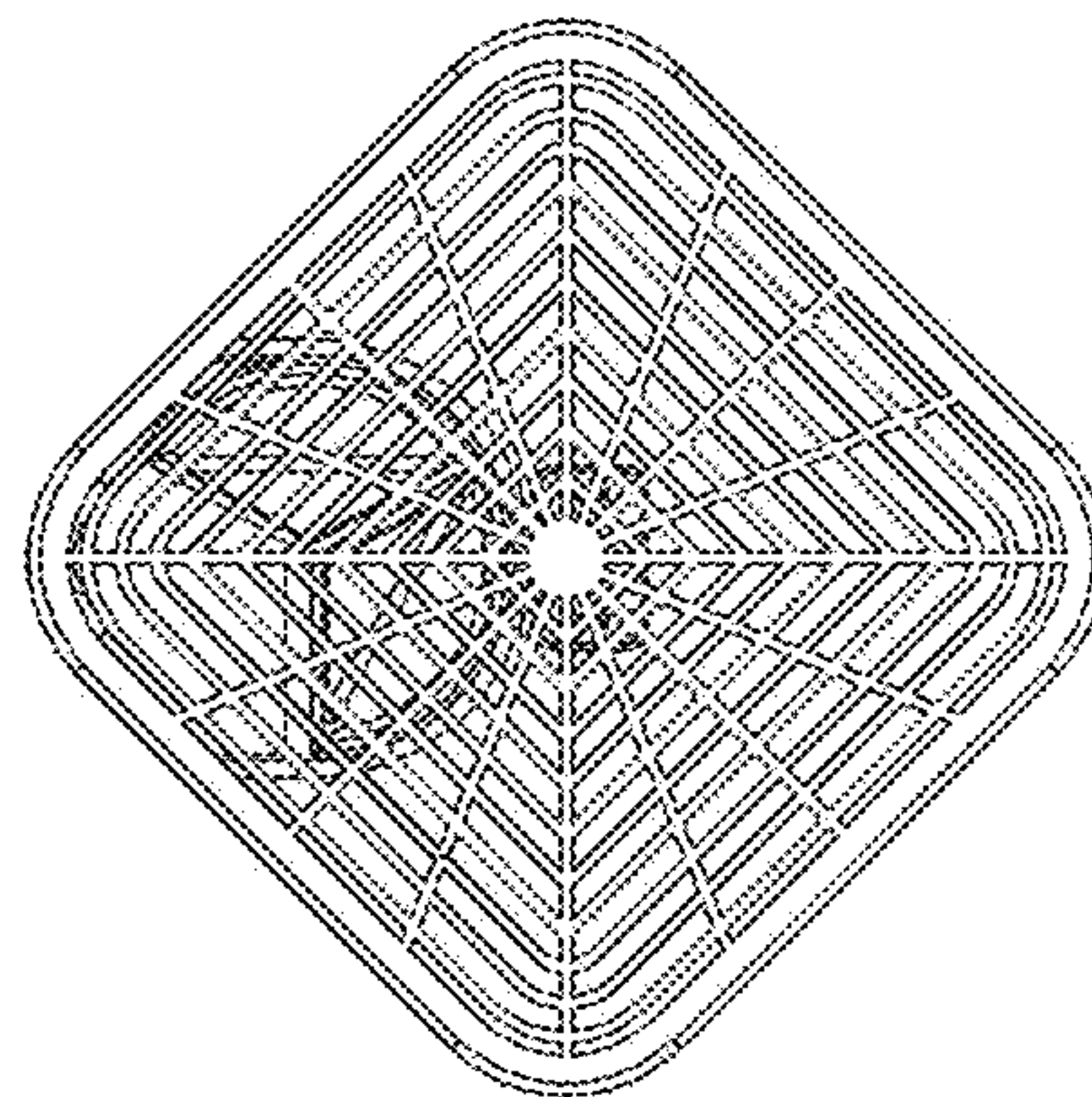


FIG. 5

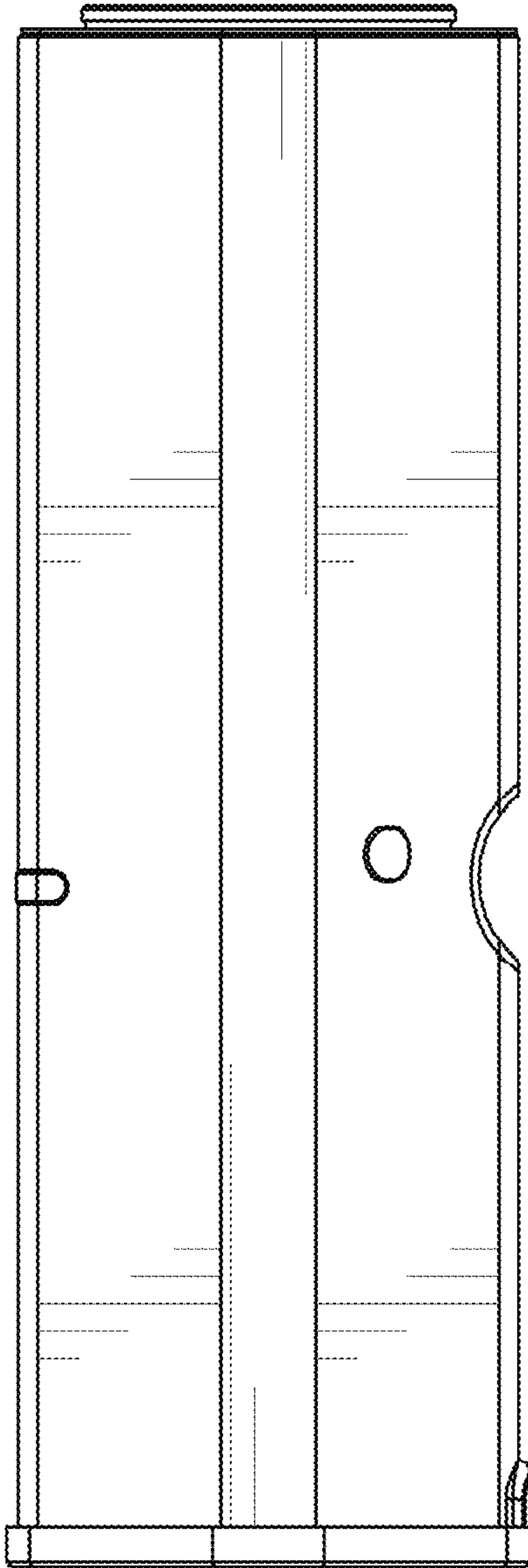


FIG. 6

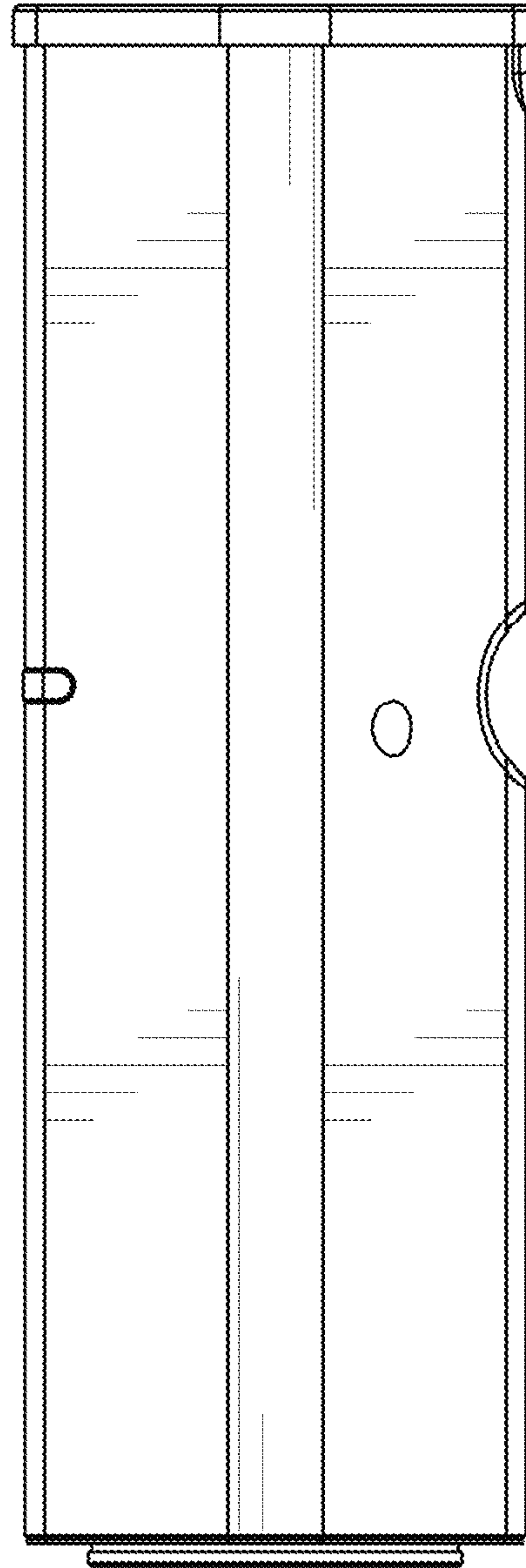


FIG. 7