



US00D932688S

(12) **United States Design Patent**  
**Shigapov et al.**

(10) **Patent No.:** **US D932,688 S**

(45) **Date of Patent:** **\*\* Oct. 5, 2021**

(54) **PIPE-SHAPED VAPORIZER**

(71) Applicant: **Programa 17 LTD.**, Tel Aviv (IL)

(72) Inventors: **Ramil Shigapov**, Kazan (RU); **Maxim Chepurnykh**, Kazan (RU); **Gleb Konovalov**, Kazan (RU); **Elena Iordanidi**, Sochi (RU); **Ramil Teregulov**, Almet'evsk (RU); **Eran Haggiag**, Tel Aviv (IL)

(73) Assignee: **PROGRAMA 17 LTD.**, Tel Aviv (IL)

(\*\*) Term: **15 Years**

(21) Appl. No.: **29/710,941**

(22) Filed: **Oct. 28, 2019**

(51) **LOC (13) Cl.** ..... **27-02**

(52) **U.S. Cl.**  
USPC ..... **D27/162**; D27/163

(58) **Field of Classification Search**  
USPC ..... D27/100, 101, 162, 163, 164, 165, 166, D27/167, 168, 169, 170, 171, 172, 173, D27/174, 175, 176, 177, 178, 179, 180, D27/181, 182, 183, 184, 185, 186, 187, D27/188, 189, 190, 191, 192, 193; D28/91.1; D23/360, 362; D24/110, D24/110.4, 110.5, 110.6, 113  
CPC ..... A24F 40/10; A24F 47/008; A24F 40/485; A24F 40/46; A24F 40/44; A24F 47/00; A24F 40/40; A24F 40/42; A24F 15/015; A24F 40/05; A24F 40/49; A24F 47/002; A24F 40/48; A24F 40/70; A24F 7/00; A24F 40/60; A24F 40/20; A24F 7/02; A24F 40/50; A24F 47/004; A24F 1/00; A24F 1/32; A24F 40/00; A24F 40/30; A24F 4/0465; A24F 40/51; A24F 42/00; A24F 40/57; A24F 40/53; A24F 40/95; A24F 42/60; A24F 13/00; A24F 13/14; A24F

(Continued)

(56) **References Cited**

U.S. PATENT DOCUMENTS

D184,945 S \* 4/1959 Koster ..... D27/164  
D208,613 S \* 9/1967 Schwartz ..... D27/196

(Continued)

FOREIGN PATENT DOCUMENTS

CN 201330047793 \* 7/2013  
CN 201630205039 \* 11/2016

(Continued)

OTHER PUBLICATIONS

Turbo K E Pipe by Kamry. By Pegasus Vapor Academy. Dated Jun. 11, 2017. Found online [Feb. 1, 2021]. <https://www.youtube.com/watch?v=rC9vduKNxyU> (Year: 2017).\*

*Primary Examiner* — Marissa J Cash

*Assistant Examiner* — William B Melliar

(74) *Attorney, Agent, or Firm* — M&B IP Analysts, LLC

(57) **CLAIM**

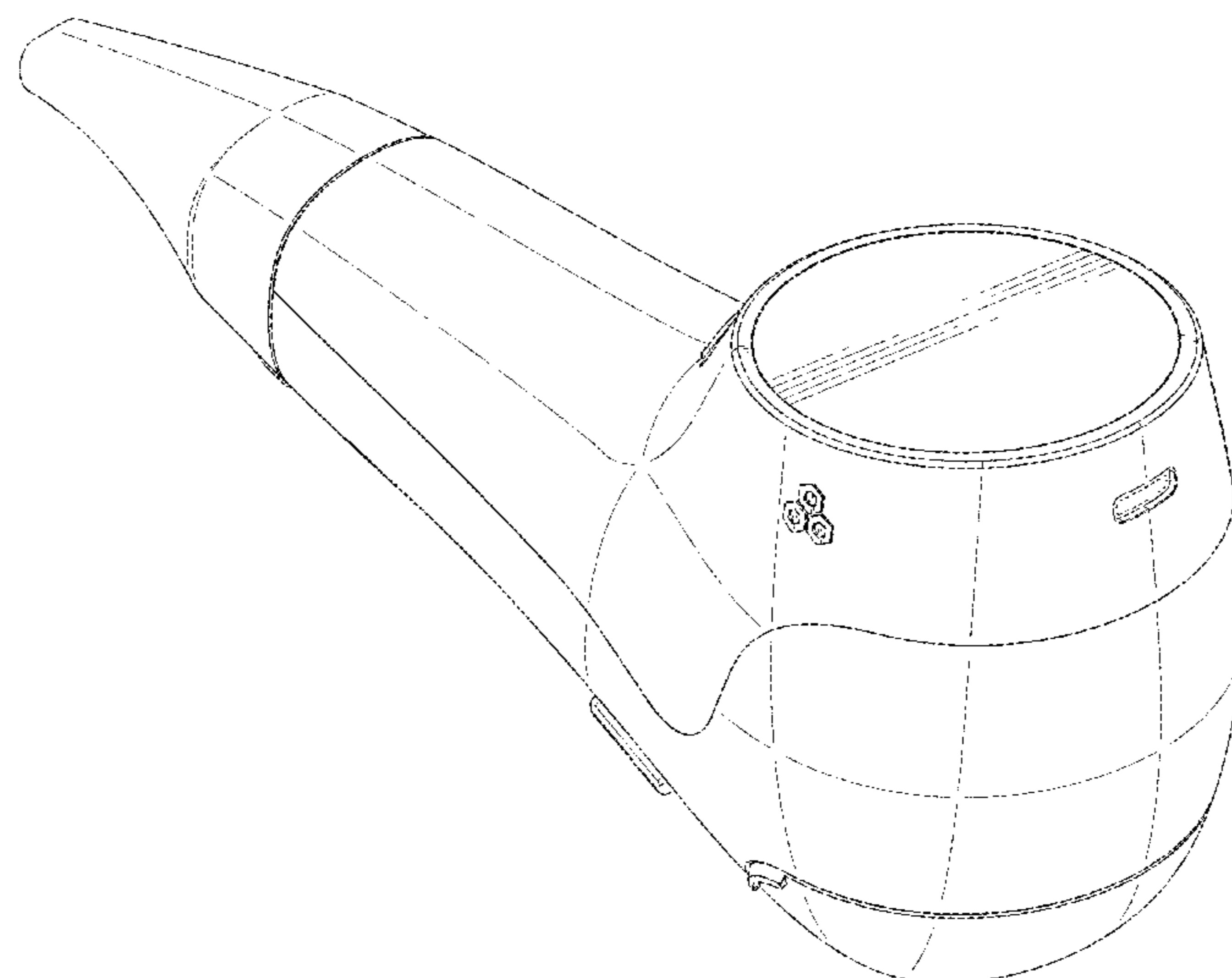
We claim the ornamental design for a pipe-shaped vaporizer, as shown and described.

**DESCRIPTION**

FIG. 1 is a top left isometric view of a pipe-shaped vaporizer showing our new design;  
FIG. 2 is a bottom right isometric view thereof;  
FIG. 3 is a front view thereof;  
FIG. 4 is a rear view thereof;  
FIG. 5 is a left side view thereof;  
FIG. 6 is a right side view thereof;  
FIG. 7 is a top view thereof; and,  
FIG. 8 is a bottom view thereof.

The broken lines shown in the drawings depict portions of the pipe-shaped vaporizer that form no part of the claimed design. Additionally, portions of the pipe-shaped vaporizer that are not shown also form no part of the claimed design.

**1 Claim, 6 Drawing Sheets**



(58) **Field of Classification Search**

CPC ..... 15/01; A24F 15/12; A24F 15/14; A24F 15/18; A24F 1/02; A24F 2700/03; A24F 42/20; A24F 40/65; A24F 40/85; A24F 40/90; A61M 11/041; A61M 15/06; A61M 2205/8206; A61M 2205/3653; A61M 15/002; A61M 15/0001; A61M 15/0085; A61M 2205/3368; A61M 11/001; A61M 11/04; A61M 11/044; A61M 15/0015; A61M 15/0021; A61M 15/0028; A61M 15/0091; A61M 15/0095; A61M 16/0808; A61M 2205/0211; A61M 2205/0238; A61M 2205/0272; A61M 2205/123; A61M 2205/3334; A61M 2205/58; A61M 2205/7536; A61M 15/0033; A61M 15/0066; A61M 16/024; A61M 16/026; A61M 16/04; A61M 16/06; A61M 16/107; A61M 16/14; A61M 16/161; A61M 2202/0007; A61M 2202/04; A61M 2205/07; A61M 2205/3327; A61M 2205/3569; A61M 2205/6045; A61M 2205/6054; A61M 2205/6072; A61M 2205/70; A61M 2205/8262; A61M 2206/14; A61M 2206/16; A61M 2206/18; A61M 2207/00; A61M 2209/082; A61M 15/0008; A61M 15/0016; A61M 15/0036; A61M 15/0041; A61M 15/0043; A61M 15/0045; A61M 15/0048; A61M 15/0083; A61M 15/02; A61M 16/0066; A61M 16/0627; A61M 16/147; A61M 16/201; A61M 2016/0015; A61M 2202/062; A61M 2205/075; A61M 2205/10; A61M 2205/128; A61M 2205/21; A61M 2205/273; A61M 2205/276; A61M 2205/3306; A61M 2205/3372; A61M 2205/583; A61M 2205/75; A61M 2205/7545; A61M 2205/8225; A61M 2205/8237; A61M 2205/8268; A61M 2205/84; A61M 2209/06; A61M 2209/10; A61M 2210/0612; A61M 2210/0618; A61M 2210/1039; A61M 2250/00; A61M 11/005; A61M 15/009; A61M 15/025; A61M 15/00; A61M 15/0086; A61M

11/02; A61M 2016/0021; A61M 2202/064; A61M 11/06; A61M 11/00; A61M 11/007; A61M 15/0018; A61M 15/0065; A61M 15/008; A61M 16/20; A61M 2016/0027; A61M 2205/3331; A61M 2205/368; A61M 2205/50; A61M 11/003; A61M 15/0003; A61M 16/08; A61M 16/0833; A61M 2202/0468; A61M 16/0858; A61M 16/1065; A61M 16/16; A61M 16/208; A61M 2016/0024; A61M 2016/0036; A61M 2016/0039; A61M 2205/3561; A61M 2205/362; A61M 2205/52; A61M 2206/10; A61M 11/002; A61M 11/006; A61M 11/08; A61M 15/0005; A61M 15/0031; A61M 2205/18; A61M 2205/3317; A61M 2205/3386; A24B 15/167; A24B 15/16; A61L 2209/11; A61L 2209/133; A61L 9/032; A61L 9/037; A24D 3/043; A24D 3/046; A24D 3/18

See application file for complete search history.

(56)

**References Cited**

U.S. PATENT DOCUMENTS

D304,771 S \* 11/1989 Katayama ..... D27/163  
 D757,995 S \* 5/2016 Liu ..... D27/101  
 D758,648 S \* 6/2016 Wu ..... D27/101  
 D814,124 S 3/2018 Ward et al.  
 D815,606 S 4/2018 Nada et al.  
 D825,122 S 8/2018 Conn et al.  
 D831,272 S \* 10/2018 Qiu ..... D27/162  
 10,231,483 B2 \* 3/2019 Garcia ..... A24F 1/00  
 2004/0173223 A1 \* 9/2004 Hu ..... A24F 5/06  
 131/226  
 2011/0036363 A1 \* 2/2011 Urtsev ..... A24F 40/46  
 131/273  
 2013/0019887 A1 \* 1/2013 Liu ..... A24F 47/008  
 131/329  
 2018/0098569 A1 \* 4/2018 Martin ..... H01M 10/46

FOREIGN PATENT DOCUMENTS

CN 201630506949 \* 3/2017  
 CN 201630634364 \* 5/2017  
 CN 201730226809 \* 10/2017  
 CN 201830271844 \* 10/2018

\* cited by examiner

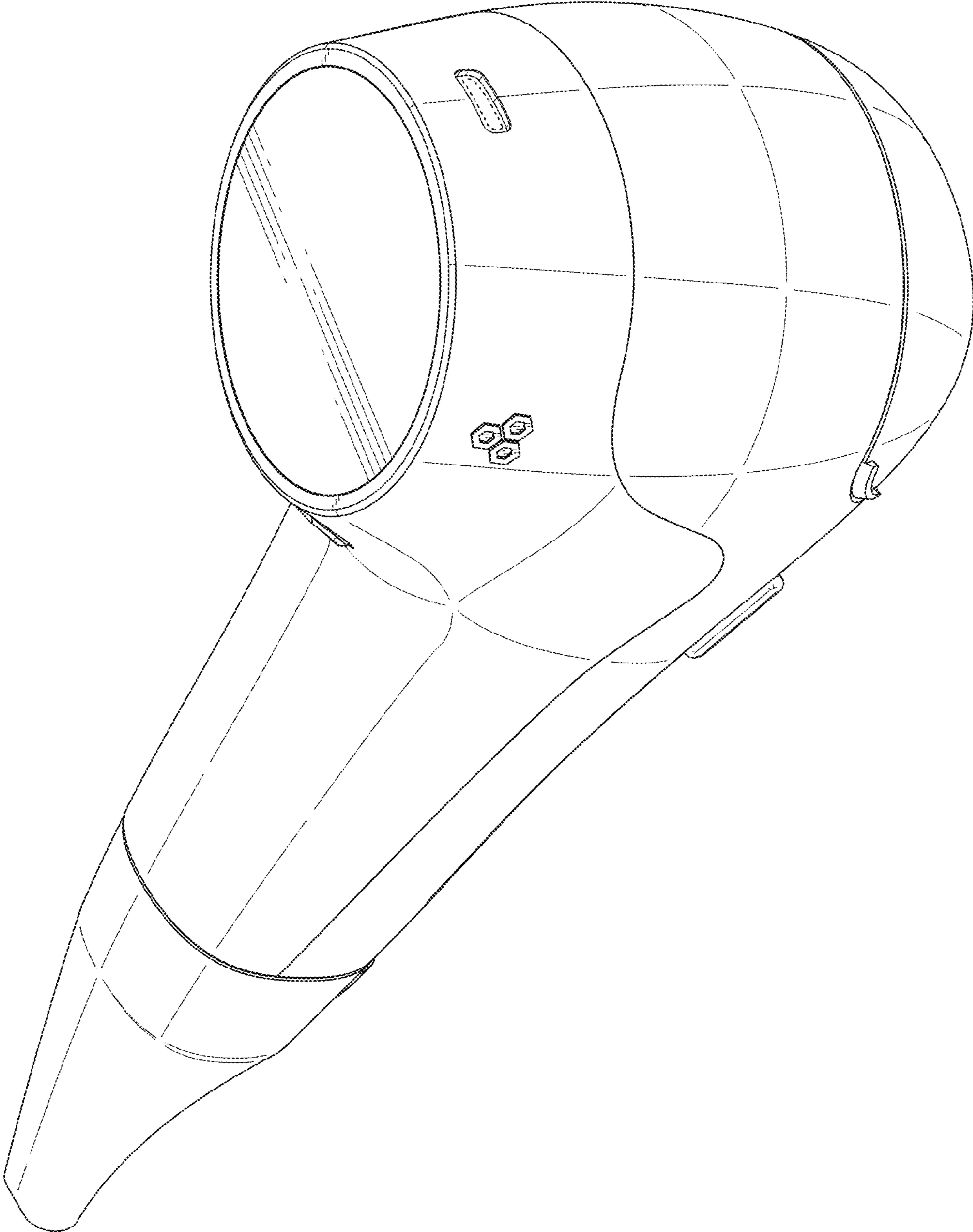


FIG. 1

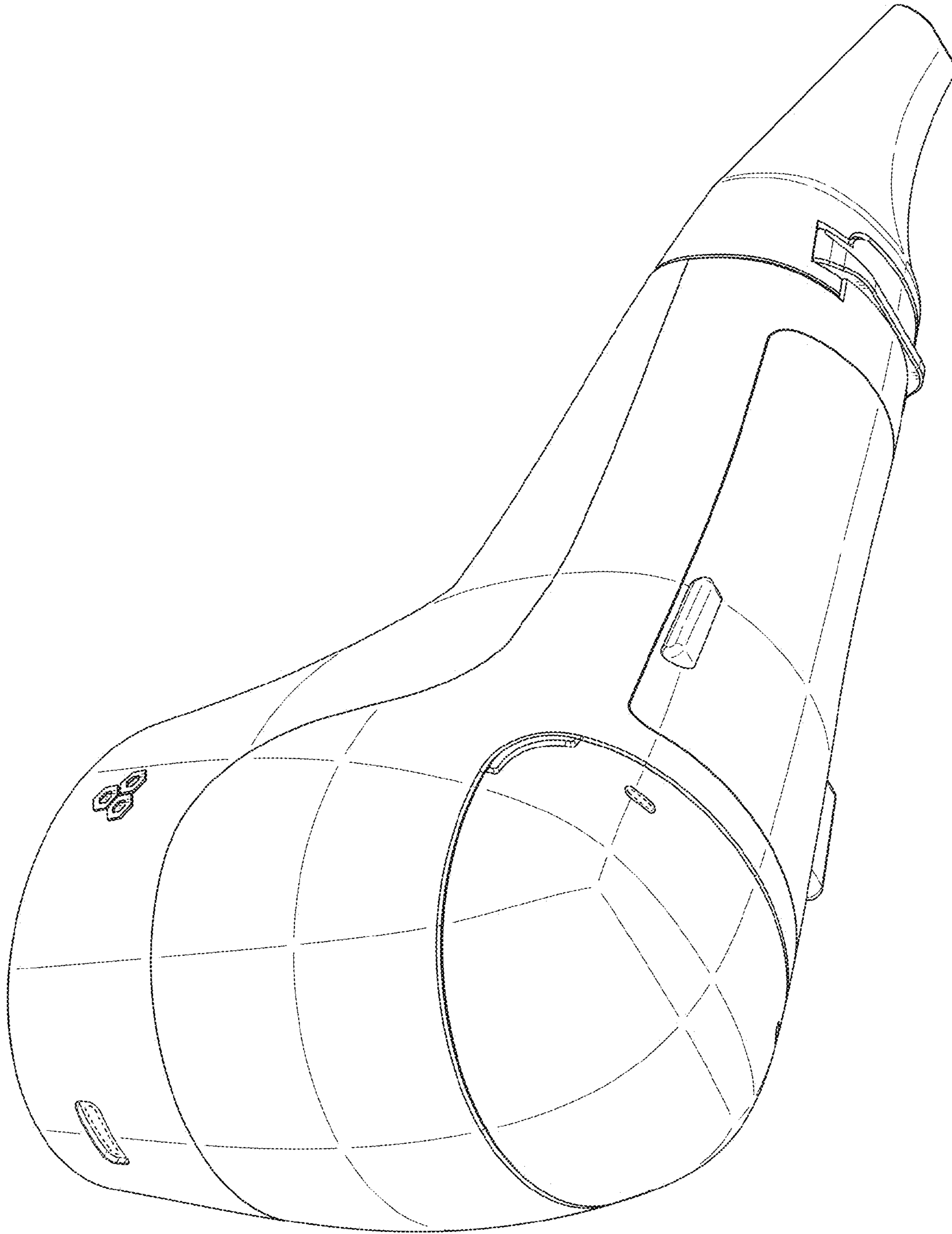
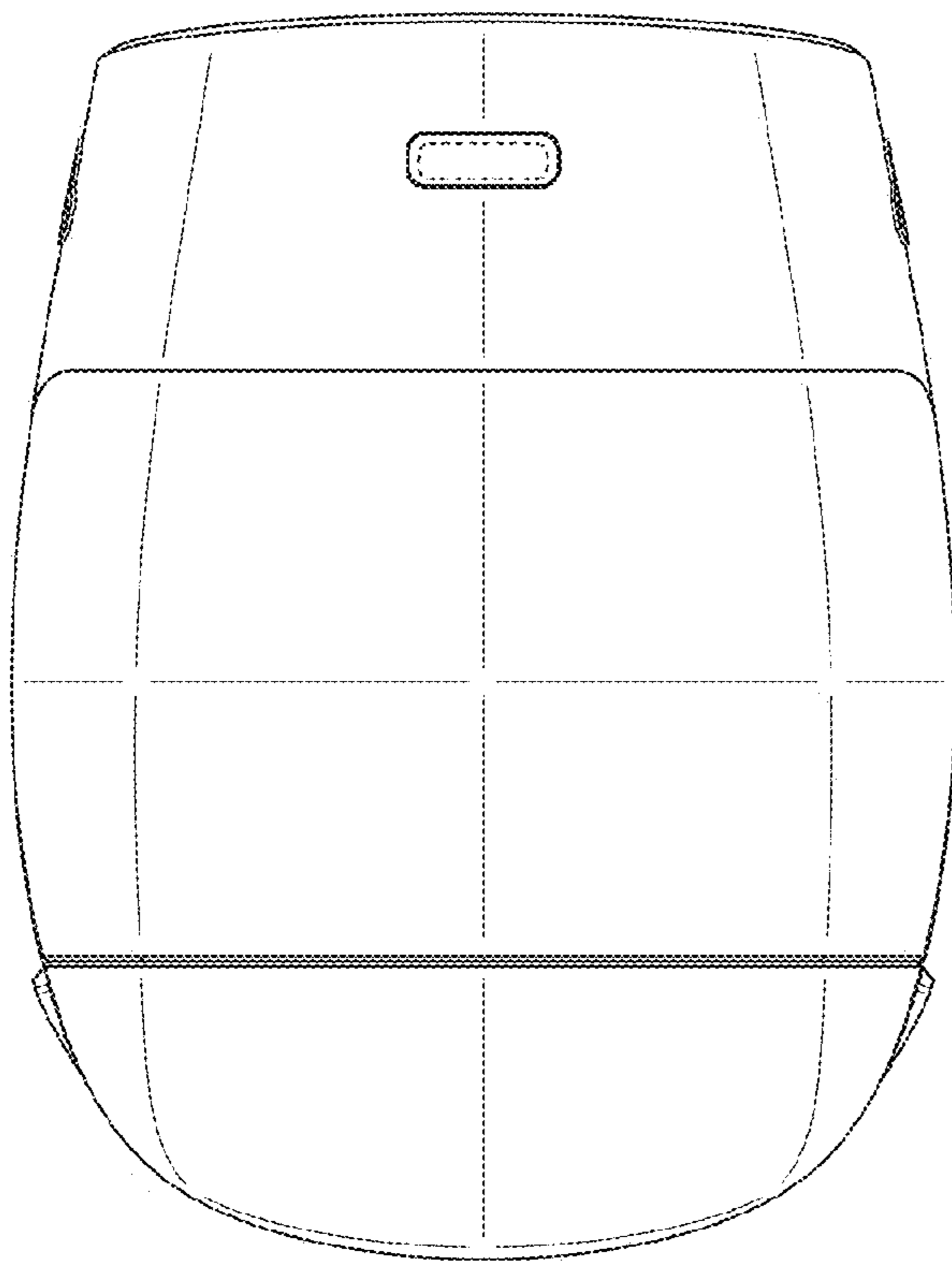
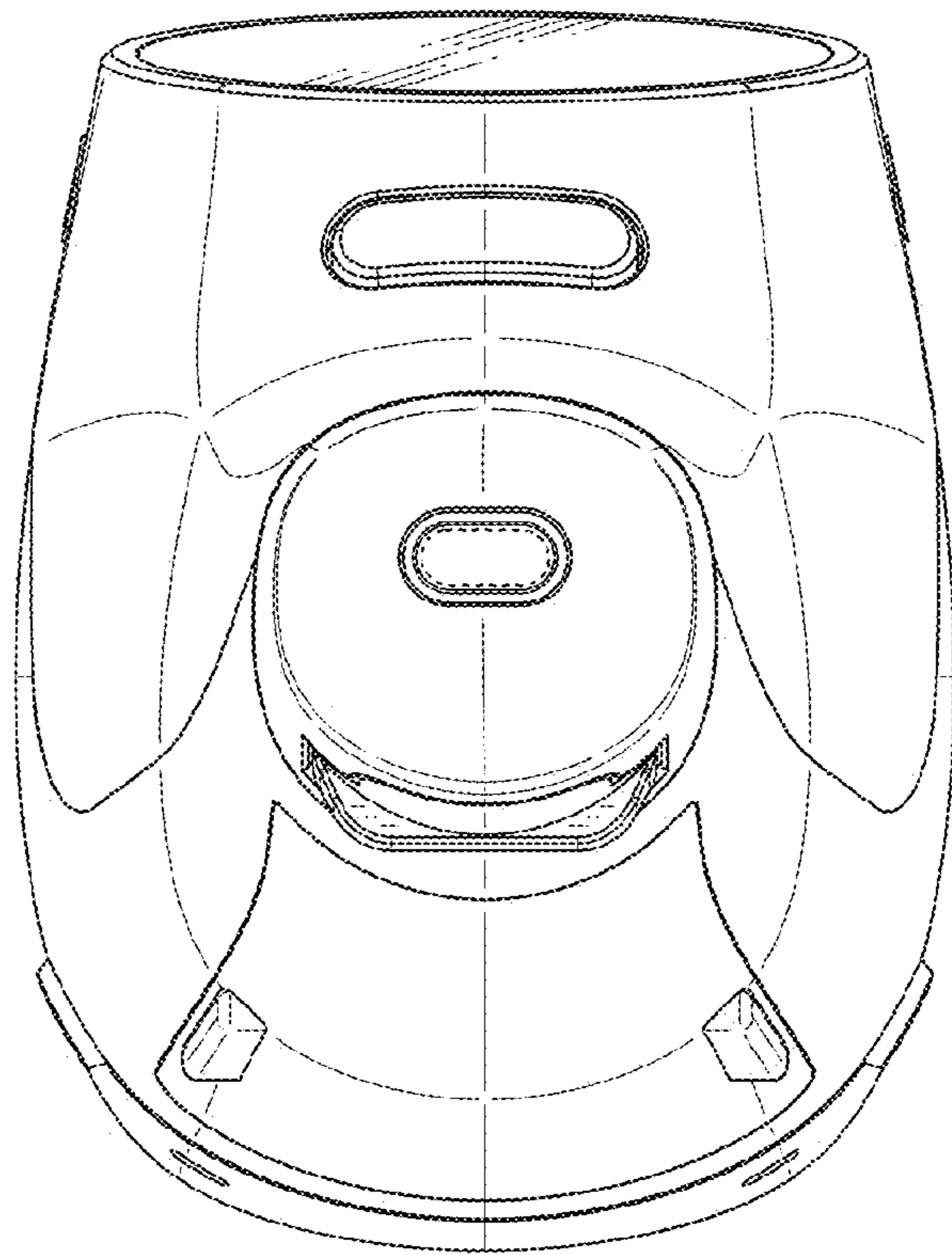


FIG. 2



*FIG. 3*



*FIG. 4*

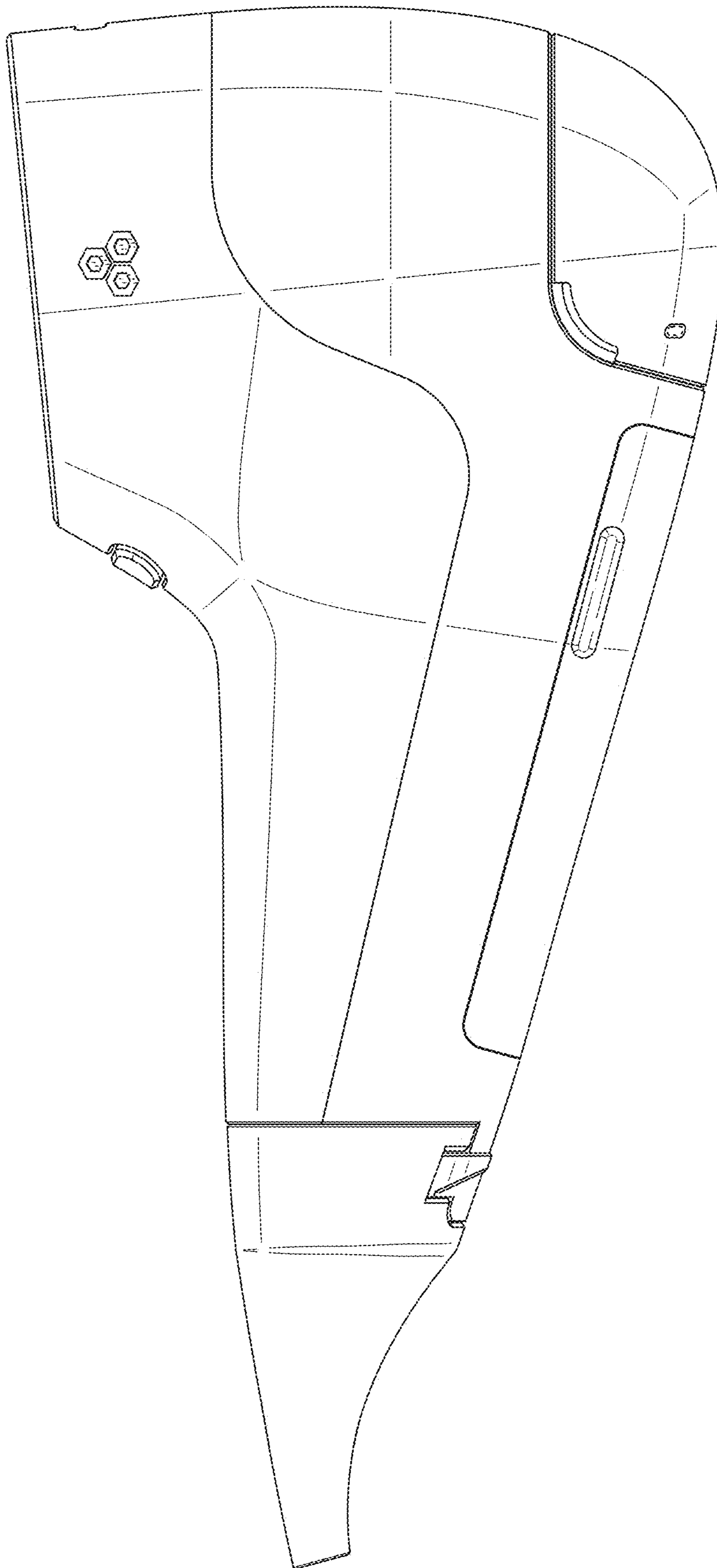


FIG. 5

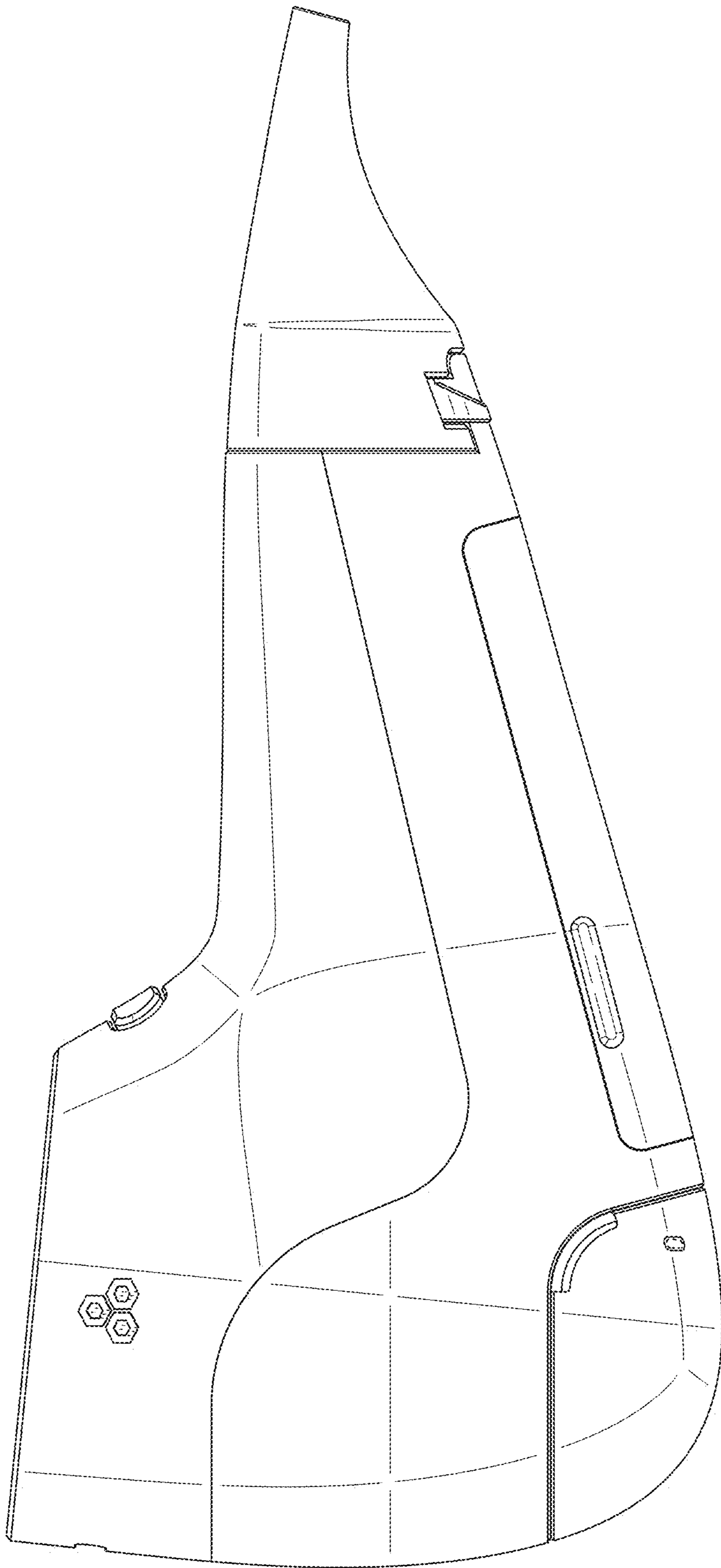
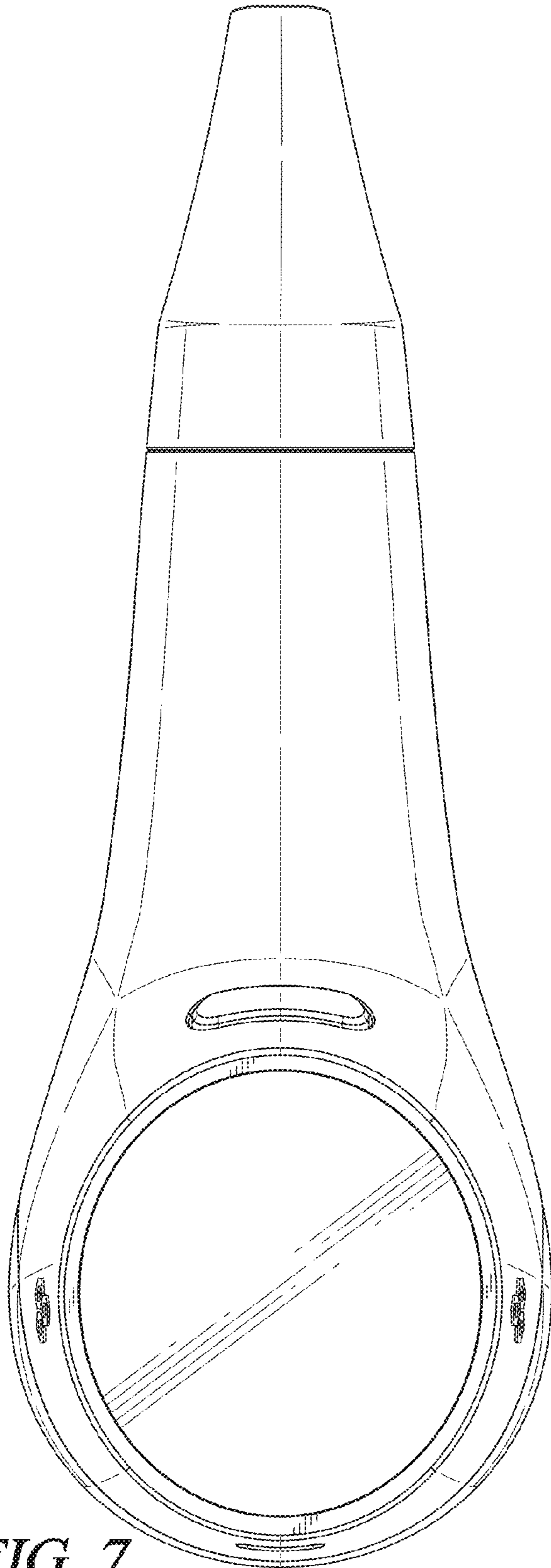
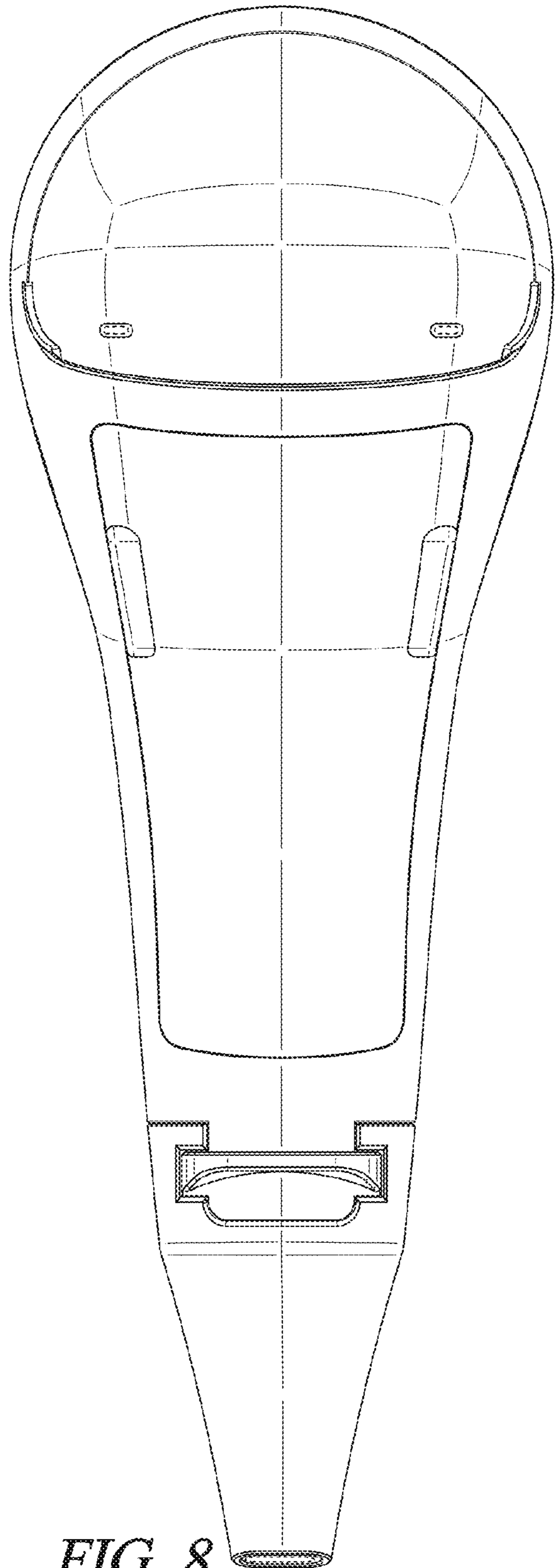


FIG. 6



*FIG. 7*



*FIG. 8*