

US00D932687S

(12) **United States Design Patent** (10) **Patent No.:** **US D932,687 S**
Storz (45) **Date of Patent:** **** Oct. 5, 2021**

(54) **VAPORIZER**

(71) Applicant: **CANOPY GROWTH CORPORATION**, Smiths Falls (CA)

(72) Inventor: **Markus Storz**, Tuttlngen (DE)

(73) Assignee: **CANOPY GROWTH CORPORATION**, Smiths Falls (CA)

(**) Term: **15 Years**

(21) Appl. No.: **29/705,945**

(22) Filed: **Sep. 17, 2019**

(51) **LOC (13) Cl.** **27-02**

(52) **U.S. Cl.**
USPC **D27/162**

(58) **Field of Classification Search**

USPC D27/100, 101, 137, 162, 163, 164, 165, D27/166, 167, 168, 169, 170, 171, 172, D27/173, 174, 175, 176, 177, 178, 179, D27/180, 181, 182, 183, 184, 185, 186, D27/187, 188, 189, 190, 191, 192, 193, D27/194, 196; D24/110, 110.4, 110.5, D24/110.6, 113; D28/91.1; D23/360, D23/362

CPC A24F 47/008; A24F 40/10; A24F 40/40; A24F 40/46; A24F 40/42; A24F 40/44; A24F 47/00; A24F 40/485; A24F 40/48; A24F 40/70; A24F 40/05; A24F 7/00; A24F 40/465; A24F 40/49; A24F 40/50; A24F 47/002; A24F 1/00; A24F 1/02; A24F 1/32; A24F 40/51; A24F 40/57; A24F 47/004; A24F 7/02; A24F 9/16; A24F 40/60; A24F 40/20; A24F 40/65; A24F 40/53; A24F 40/30; A24F 40/90; A24F 40/95; A24F 13/00; A24F 15/12; A24F 15/14; A24F 15/18; A24F 2700/03; A24F 40/85; A24F

(Continued)

(56) **References Cited**

U.S. PATENT DOCUMENTS

D203,008 S * 11/1965 Ota D28/91.1
D237,198 S * 10/1975 Dollen D27/163

(Continued)

FOREIGN PATENT DOCUMENTS

CA 180338 * 1/2019
DE 10042396 6/2009

(Continued)

OTHER PUBLICATIONS

Volcano Hybrid Review and How To. By TVAPE. Dated Jul. 29, 2019. Found online [Jan. 5, 2021]. <https://www.youtube.com/watch?v=a2coCcTLH6l> (Year: 2019).*

(Continued)

Primary Examiner — Marissa J Cash
Assistant Examiner — William B Melliar
(74) *Attorney, Agent, or Firm* — Stinson LLP

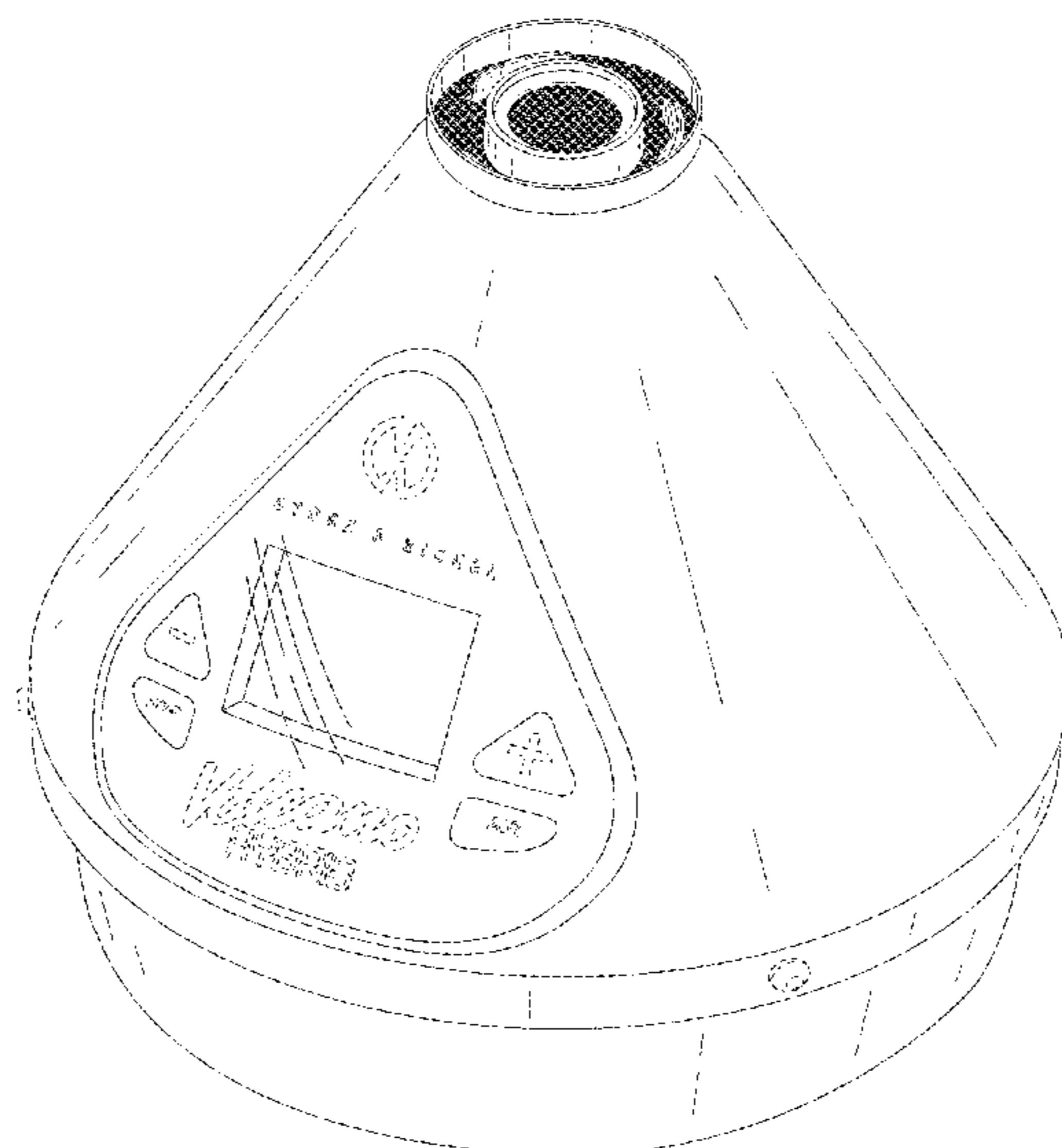
(57) **CLAIM**

The ornamental design for a vaporizer, as shown and described.

DESCRIPTION

FIG. 1 is a perspective view of the vaporizer; FIG. 2 is a front elevational view of the vaporizer of FIG. 1; FIG. 3 is a rear elevational view of the vaporizer of FIG. 1; FIG. 4 is a right side elevational view of the vaporizer of FIG. 1; FIG. 5 is a left side elevational view of the vaporizer of FIG. 1; FIG. 6 is a top plan view of the vaporizer of FIG. 1; and, FIG. 7 is a bottom plan view of the vaporizer of FIG. 1. The broken lines in the drawings illustrate portions of the vaporizer that form no part of the claimed design.

1 Claim, 7 Drawing Sheets



(58) **Field of Classification Search**

CPC 15/00; A24F 15/015; A24F 40/00; A24F
42/60; A24F 7/04; A24F 42/20

See application file for complete search history.

D882,867 S * 4/2020 Volodarsky D27/170
D888,330 S * 6/2020 Verleur D27/167
2018/0125115 A1* 5/2018 Mueller A24F 40/485

FOREIGN PATENT DOCUMENTS

EP	1884254	2/2006
EP	2599513	6/2011
EP	2599514	6/2011

(56)

References Cited

U.S. PATENT DOCUMENTS

D262,143 S *	12/1981	Sher	D27/162
5,085,230 A *	2/1992	Roman	A24F 19/14 131/235.1
6,513,524 B1	2/2003	Storz	
D674,892 S *	1/2013	Denton	D24/110
D721,432 S	1/2015	Storz	
D726,955 S *	4/2015	Martin	D27/172
D731,113 S *	6/2015	Wu	D27/162
D731,705 S *	6/2015	Nadeem	D27/162
9,272,103 B2	3/2016	Storz	
D755,439 S *	5/2016	Helou	D27/162
D762,002 S *	7/2016	Liu	D27/162
D786,789 S *	5/2017	Jordan	D13/108
D802,111 S	11/2017	Storz	
D814,007 S	3/2018	Storz	
10,010,914 B1 *	7/2018	Gilmore	A24F 3/00
D846,187 S *	4/2019	Hoch	D27/162

OTHER PUBLICATIONS

Volcano Hybrid Vaporizer Review By Cream City Vapes. By Cream City Vapes. Dated Aug. 5, 2019. Found online [Jan. 5, 2021]. <https://www.youtube.com/watch?v=N3CGrSnkqVo> (Year: 2019).*

Volcano Classic Vaporizer: How to Use. By Vapordot. Dated May 20, 2014. Found online [Jan. 5, 20121]. <https://www.youtube.com/watch?v=mwSkDsFimy0> (Year: 2014).*

Vapospv, Volcano Digit, on sale prior to Sep. 17, 2018, <https://www.vapospv.com/p/volcano-digit>.

STORZ & BICKEL, Volcano Classic, on sale prior to Sep. 17, 2018, https://www.storz-bickel.com/en-us/volcano-classic?__store=us_storz_bickel_en.

* cited by examiner

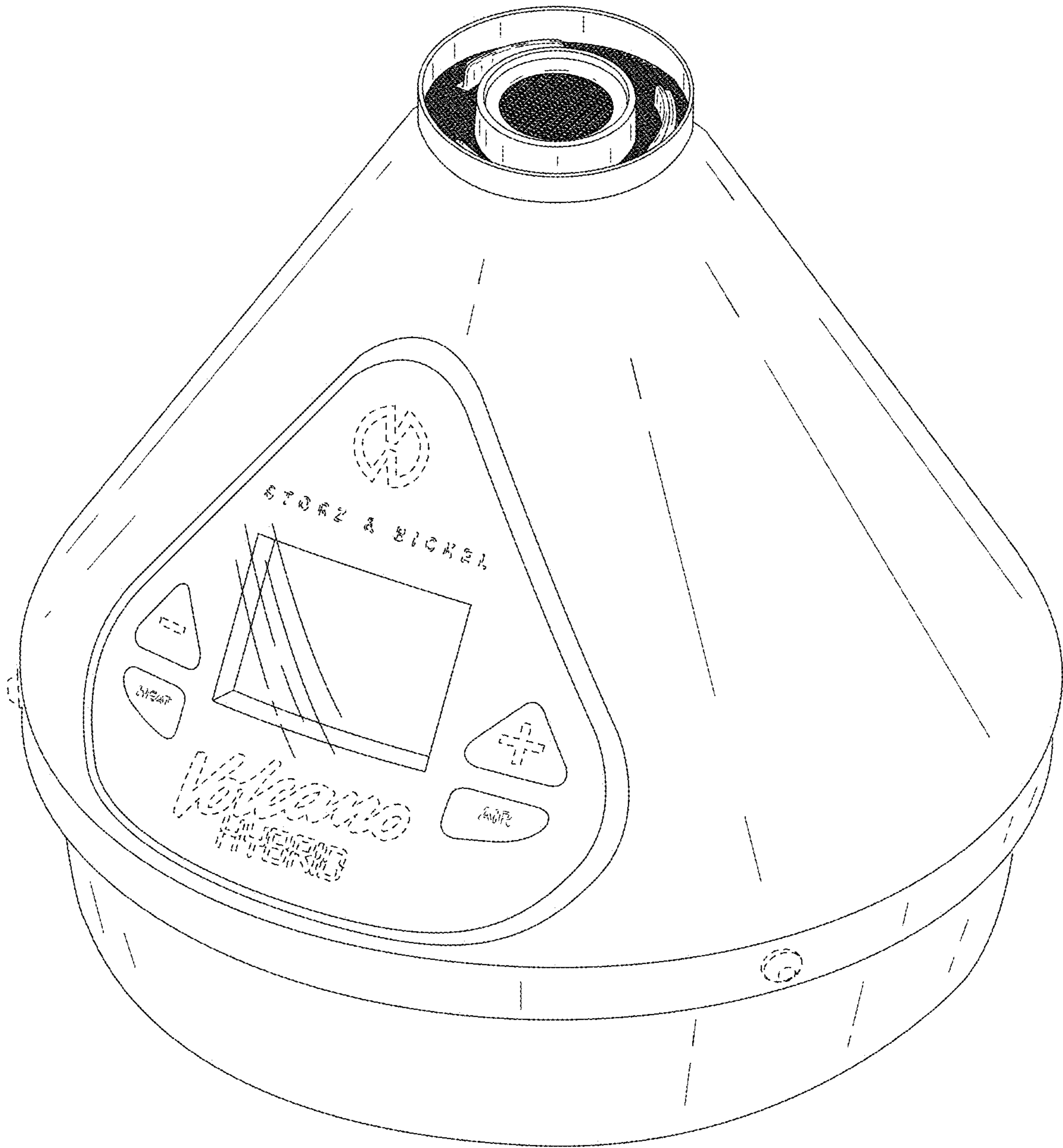


FIG. 1

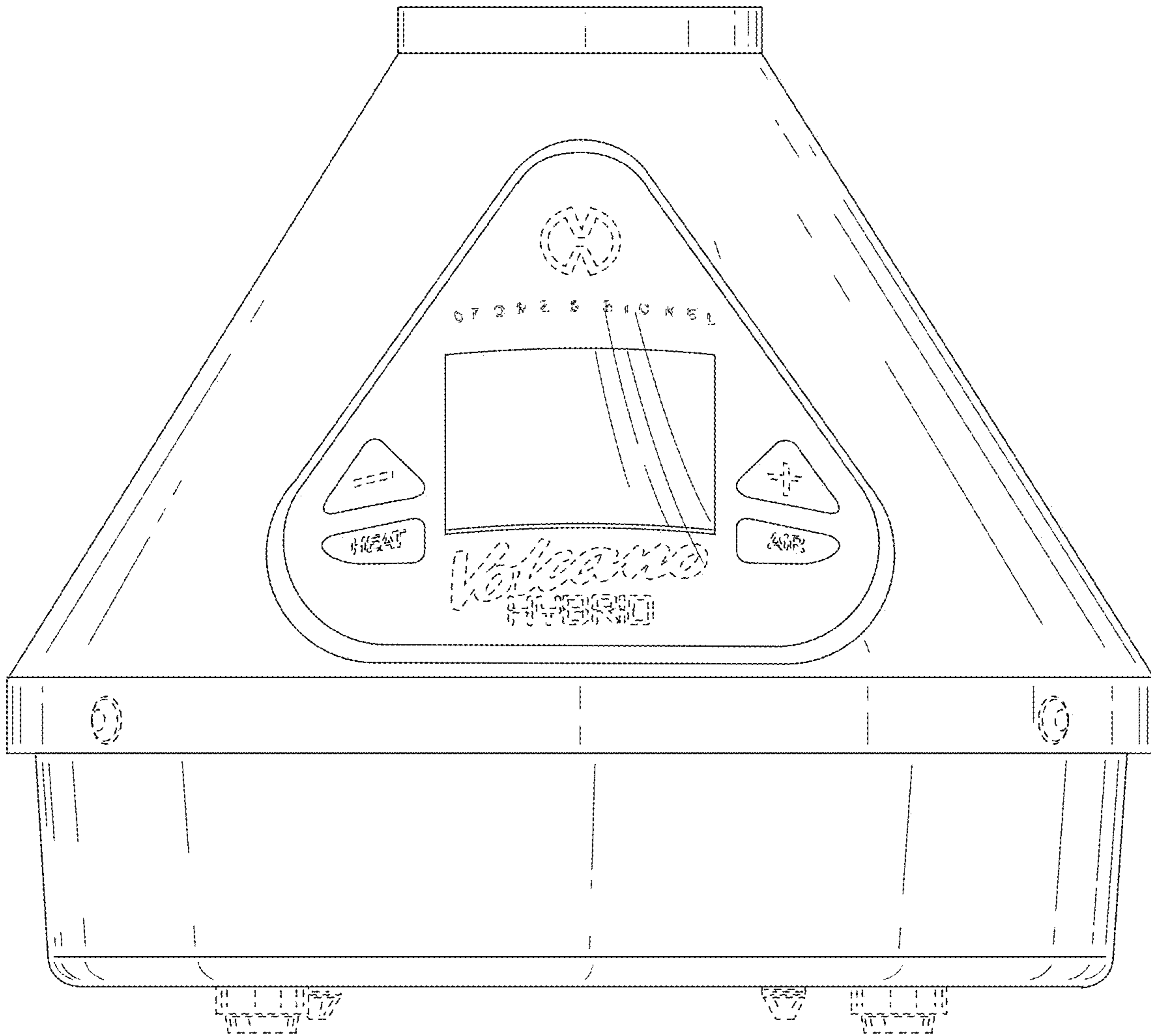


FIG. 2

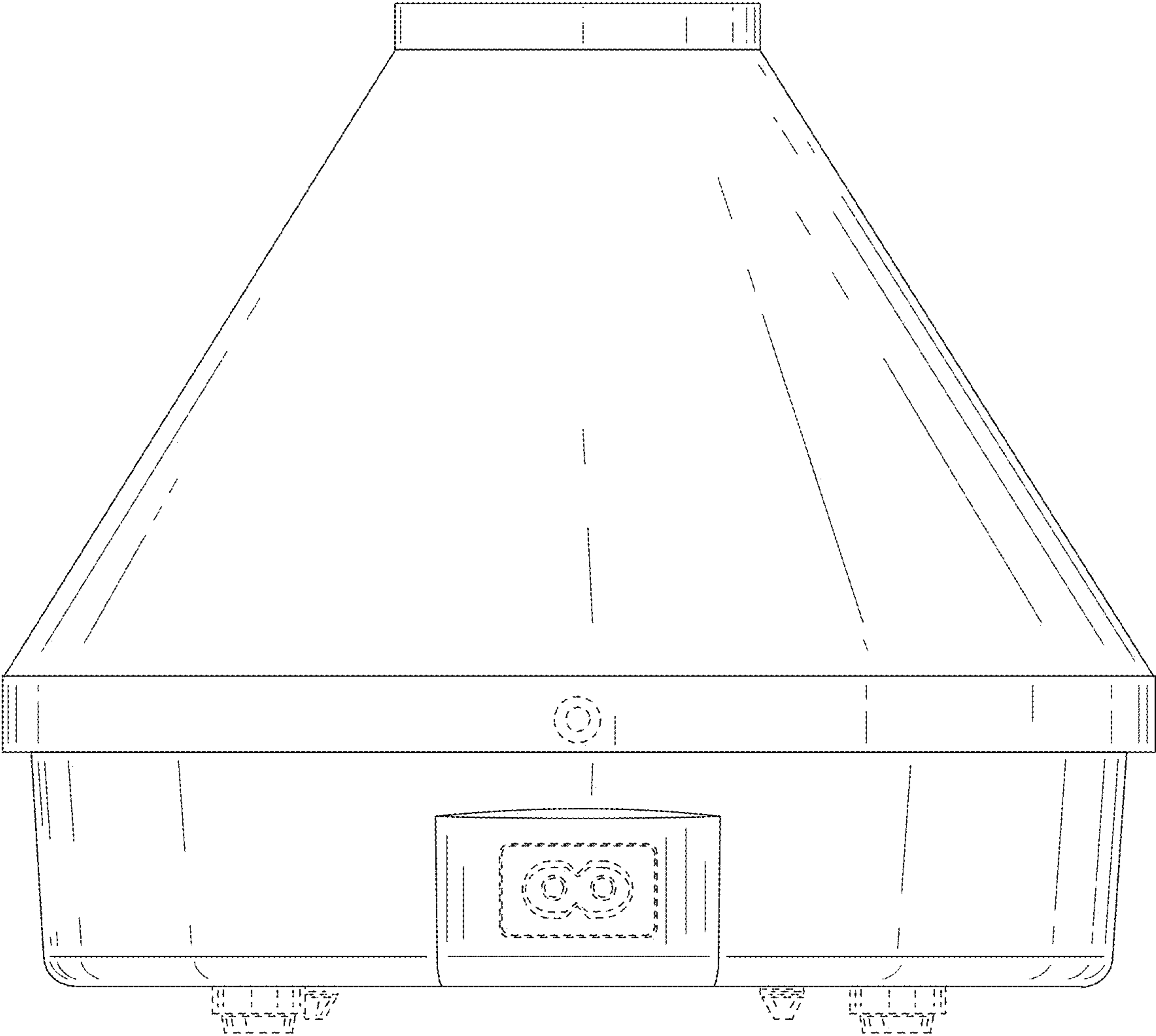


FIG. 3

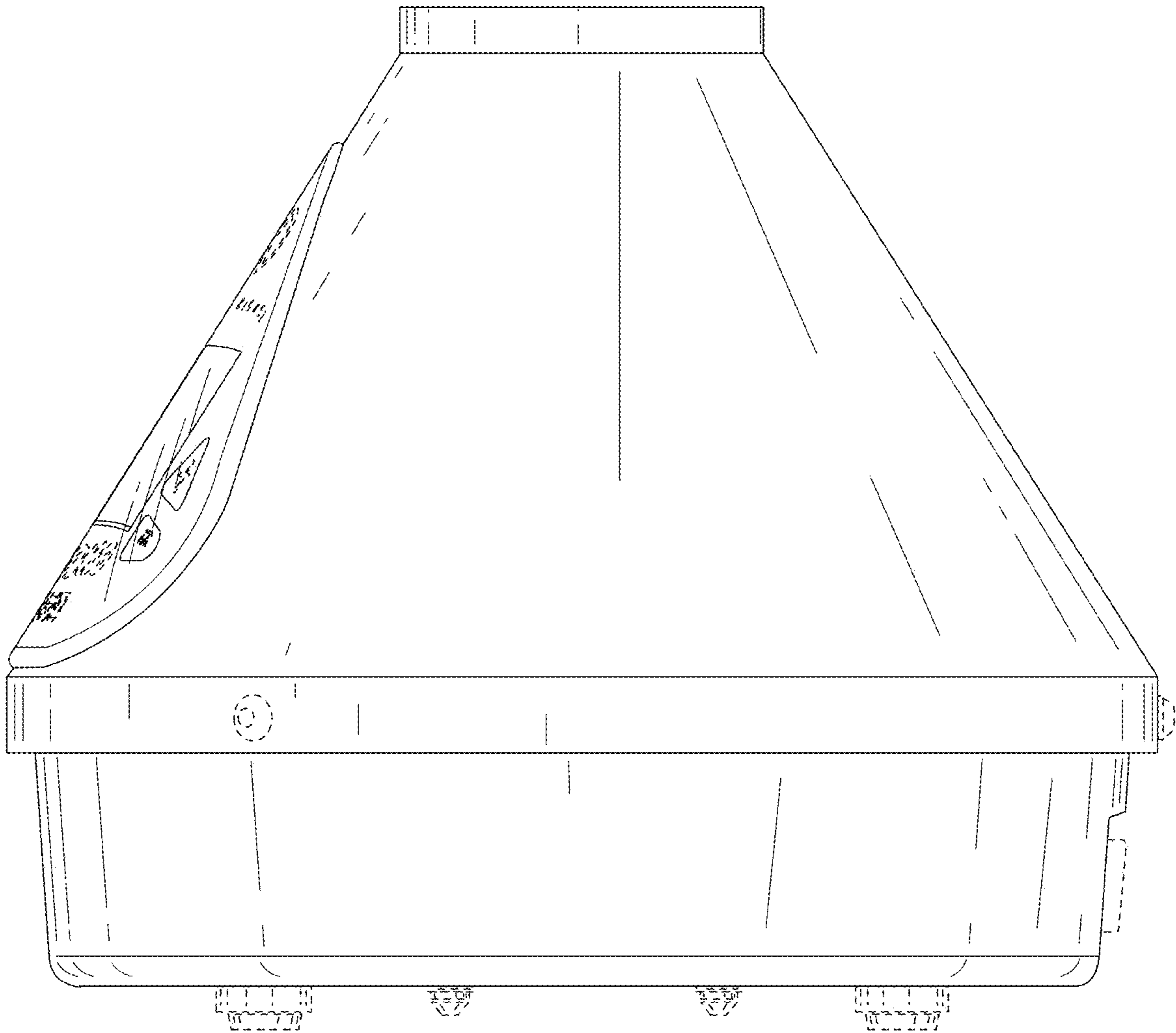


FIG. 4

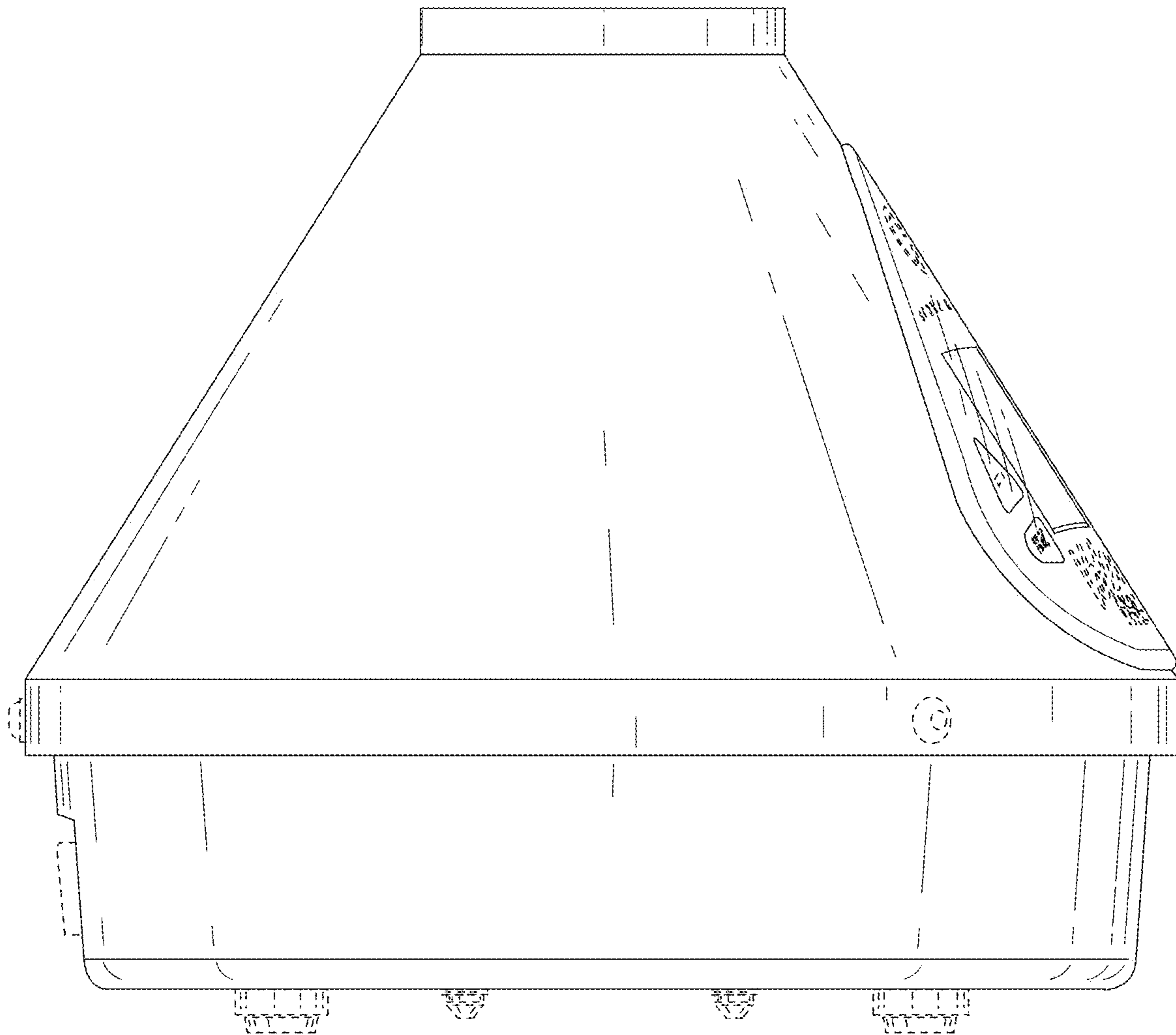


FIG. 5

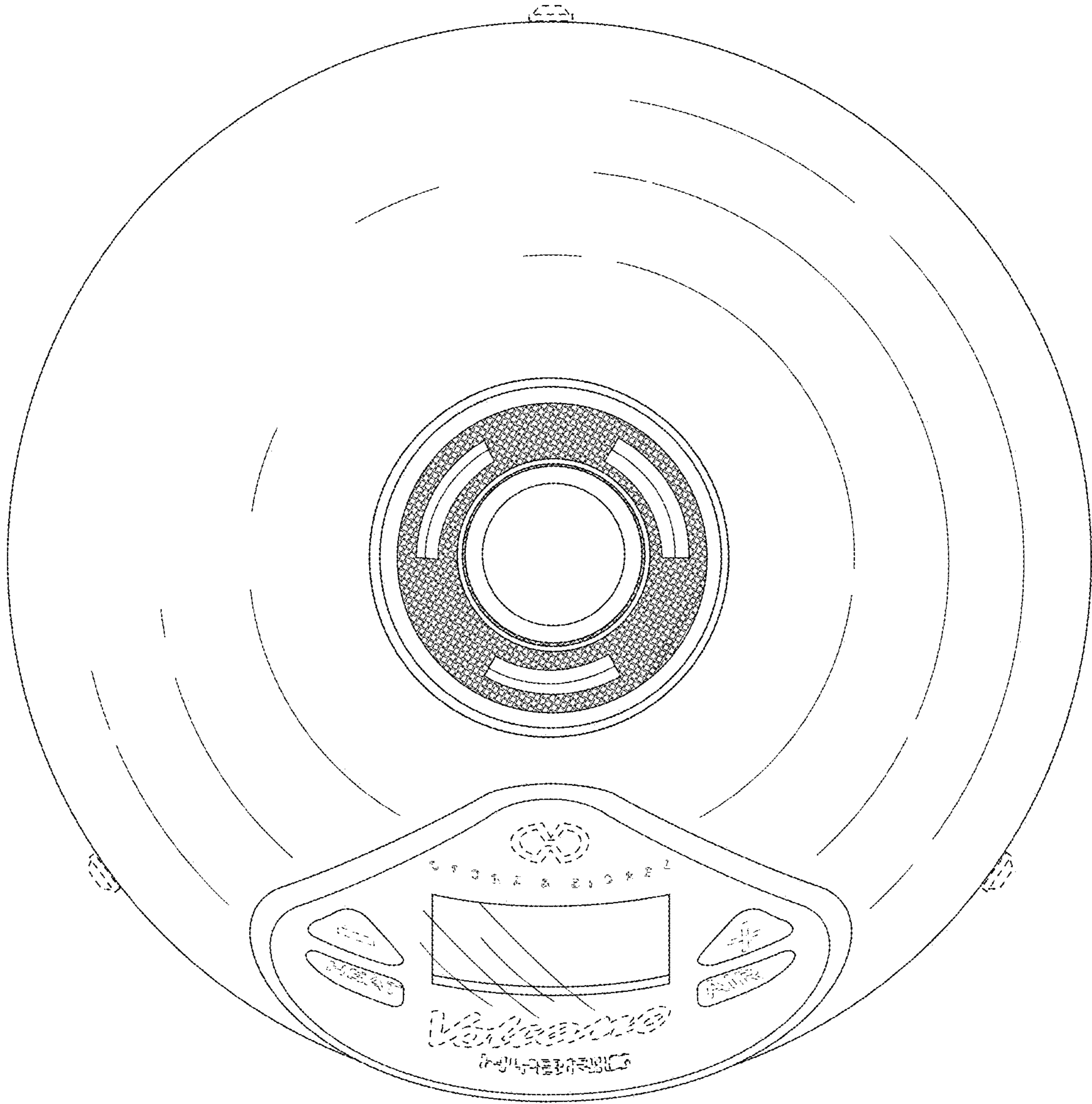


FIG. 6

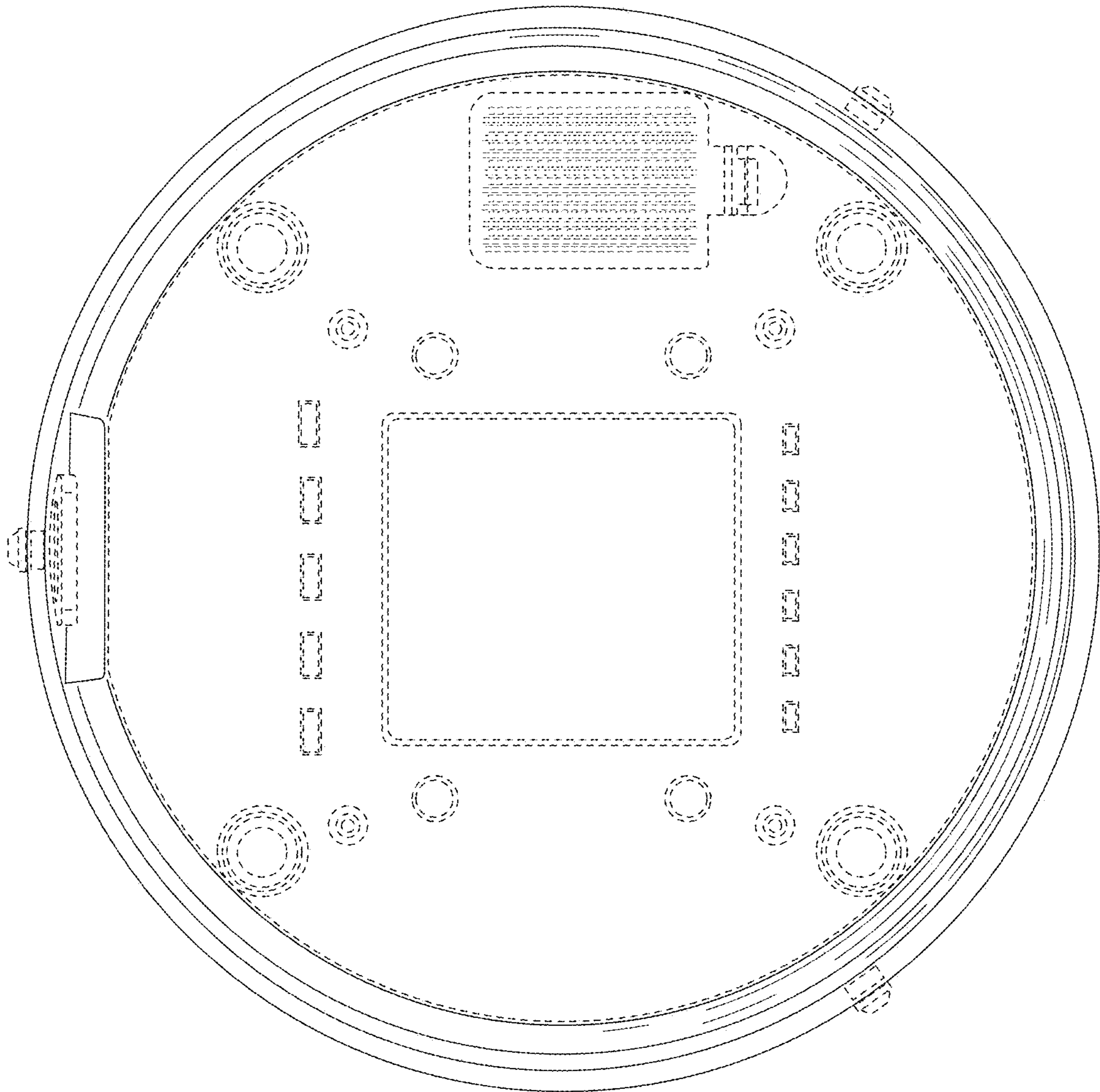


FIG. 7