



US00D932686S

(12) **United States Design Patent** (10) **Patent No.:** **US D932,686 S**
Chen (45) **Date of Patent:** **** *Oct. 5, 2021**

- (54) **ELECTRONIC CIGARETTE**
- (71) Applicant: **Shenzhen Smoore Technology Limited**, Guangdong (CN)
- (72) Inventor: **Zhiping Chen**, Guangdong (CN)
- (73) Assignee: **Shenzhen Smoore Technology Limited**, Shenzhen (CN)
- (*) Notice: This patent is subject to a terminal disclaimer.
- (**) Term: **15 Years**
- (21) Appl. No.: **29/648,286**
- (22) Filed: **May 18, 2018**

- D606,865 S * 12/2009 Huntington D9/445
- D667,878 S * 9/2012 Xie D19/163
- D669,530 S * 10/2012 Hung D19/166
- D695,825 S * 12/2013 Jiang D19/163
- D725,821 S * 3/2015 Levin D27/101
- D732,733 S * 6/2015 Spagnolo D27/101
- D772,477 S * 11/2016 Shin D27/163
- D776,869 S * 1/2017 Heidi D27/163
- D779,719 S * 2/2017 Qiu D27/101
- D813,447 S * 3/2018 Watson D27/162
- D815,341 S * 4/2018 Qiu D27/101
- D818,636 S * 5/2018 Qiu D27/101

(Continued)

OTHER PUBLICATIONS

New PHIX Vaping System by MyFreedomSmokes. dated Mar. 31, 2017. found online [Jan. 10, 2019] <https://www.youtube.com/watch?v=s6z-4ev1W3c>.*

(Continued)

Primary Examiner — Marissa J Cash

Related U.S. Application Data

- (62) Division of application No. 29/630,425, filed on Dec. 20, 2017, now Pat. No. Des. 861,239.
- (51) **LOC (13) Cl.** **27-02**
- (52) **U.S. Cl.**
USPC **D27/162**
- (58) **Field of Classification Search**
USPC D27/100, 101, 162, 163–194;
D19/115–123, 161–169; D24/110;
D23/366; D13/108
CPC A24F 47/008; A24F 47/002; A24F 7/02;
A61M 15/06
See application file for complete search history.

(57)

CLAIM

The ornamental design for an electronic cigarette, as shown and described.

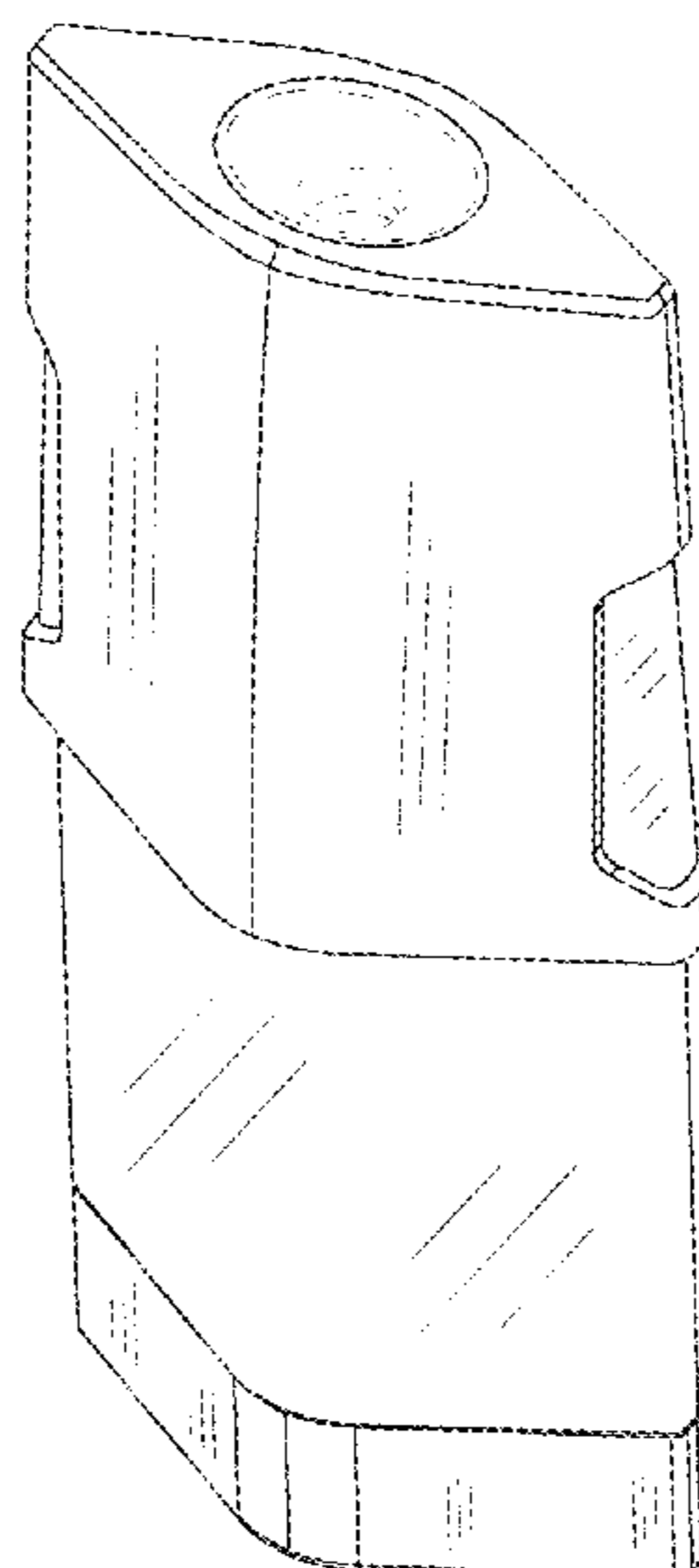
DESCRIPTION

FIG. 1 is a top perspective view of an electronic cigarette showing my new design;
 FIG. 2 is a bottom perspective view thereof;
 FIG. 3 is a front elevational view thereof;
 FIG. 4 is a rear elevational view thereof;
 FIG. 5 is a left side view thereof;
 FIG. 6 is a right side view thereof;
 FIG. 7 is a top plan view thereof; and,
 FIG. 8 is a bottom plan view thereof.
 The broken lines in the drawings illustrate portions of the electronic cigarette which form no part of the claimed design.
 The diagonal lines indicate transparency.

(56) **References Cited**
U.S. PATENT DOCUMENTS

- D299,066 S * 12/1988 Newell D24/110
- D323,292 S * 1/1992 Jones D9/424
- D418,253 S * 12/1999 Bakic D28/7
- D461,204 S * 8/2002 Klefbom D19/167
- D470,529 S * 2/2003 Tu D19/165
- D532,927 S * 11/2006 Sann D27/101

1 Claim, 8 Drawing Sheets



(56)

References Cited

U.S. PATENT DOCUMENTS

D818,638	S *	5/2018	Wright	D27/170
D819,263	S *	5/2018	Zhu	D27/101
D819,881	S *	6/2018	Qiu	D27/101
D822,896	S *	7/2018	Durand	D27/101
D824,096	S *	7/2018	Qiu	D27/167
D825,102	S *	8/2018	Bowen	D27/167
D829,371	S *	9/2018	Durand	D27/101
D829,980	S *	10/2018	Qiu	D27/162
D834,246	S *	11/2018	Qiu	D27/162
D836,831	S *	12/2018	Cividi	D27/162
D837,446	S *	1/2019	Durand	D27/101
2015/0034104	A1 *	2/2015	Zhou	A24F 47/008 131/329
2015/0150305	A1 *	6/2015	Shenkal	A24F 47/008 131/329

OTHER PUBLICATIONS

PHIX by MLV . byAVAndy. dated Mar. 1, 2017. found online [Jan. 10, 2019] <https://www.youtube.com/watch?v=L5GSaz9hyto>.*

* cited by examiner

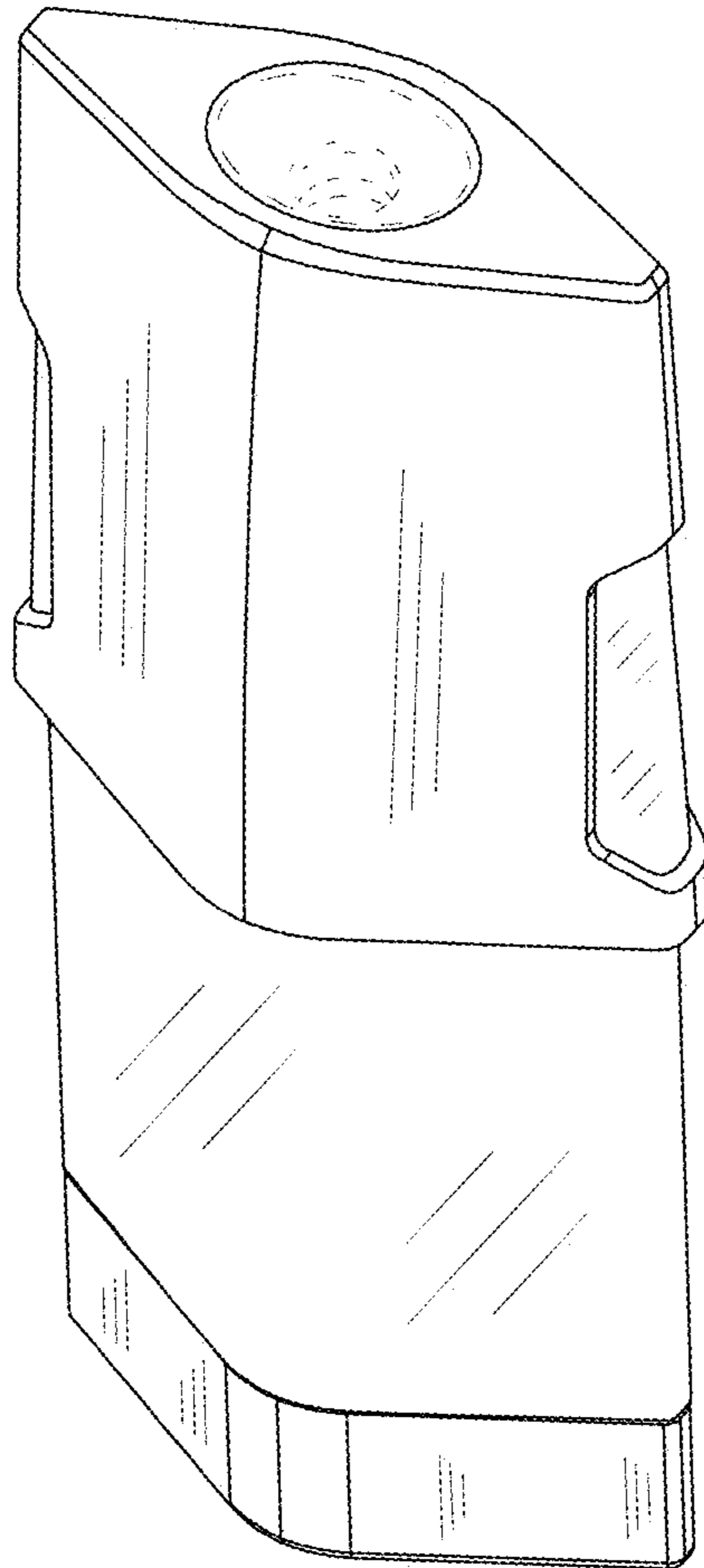


FIG.1

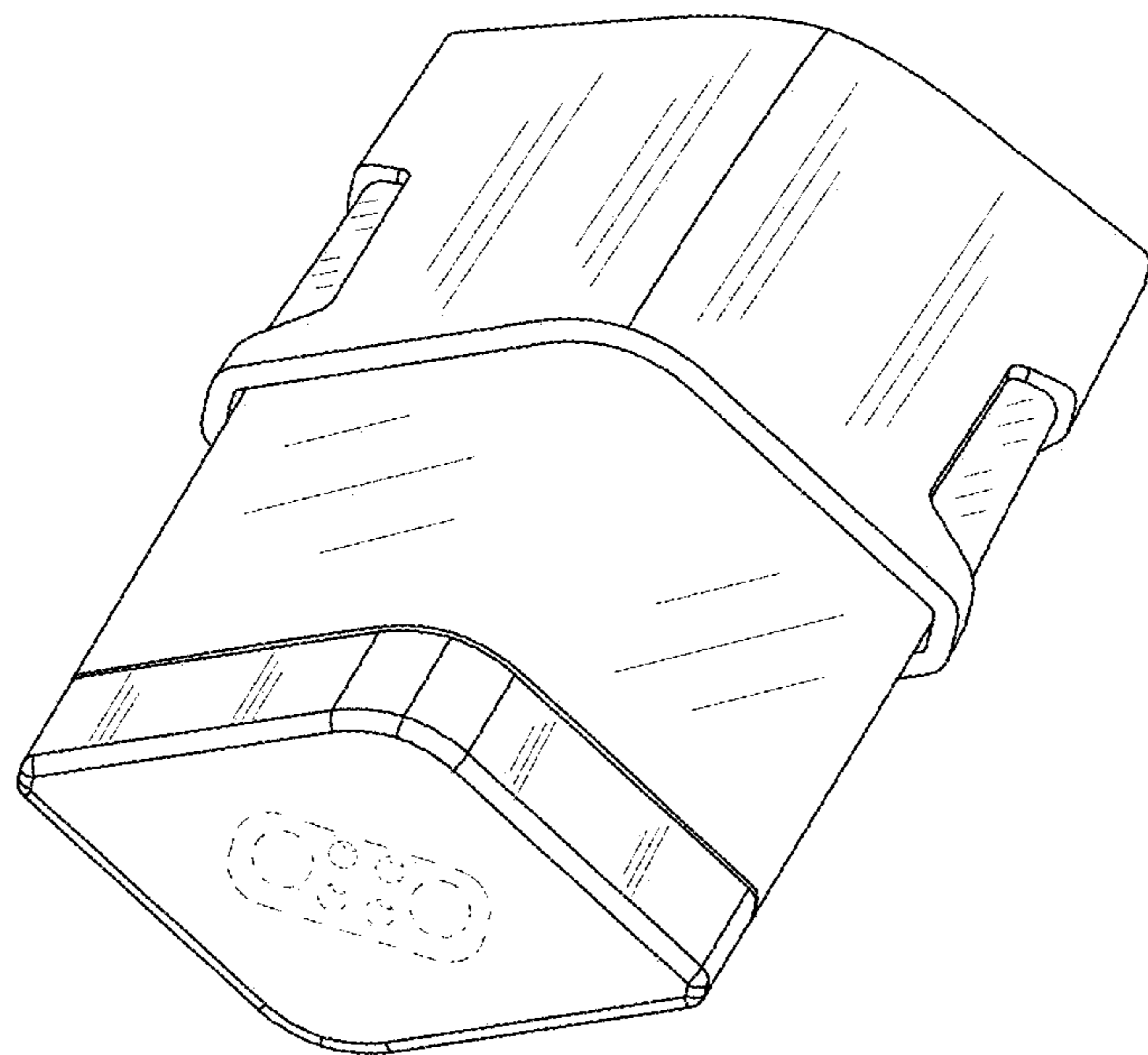


FIG.2

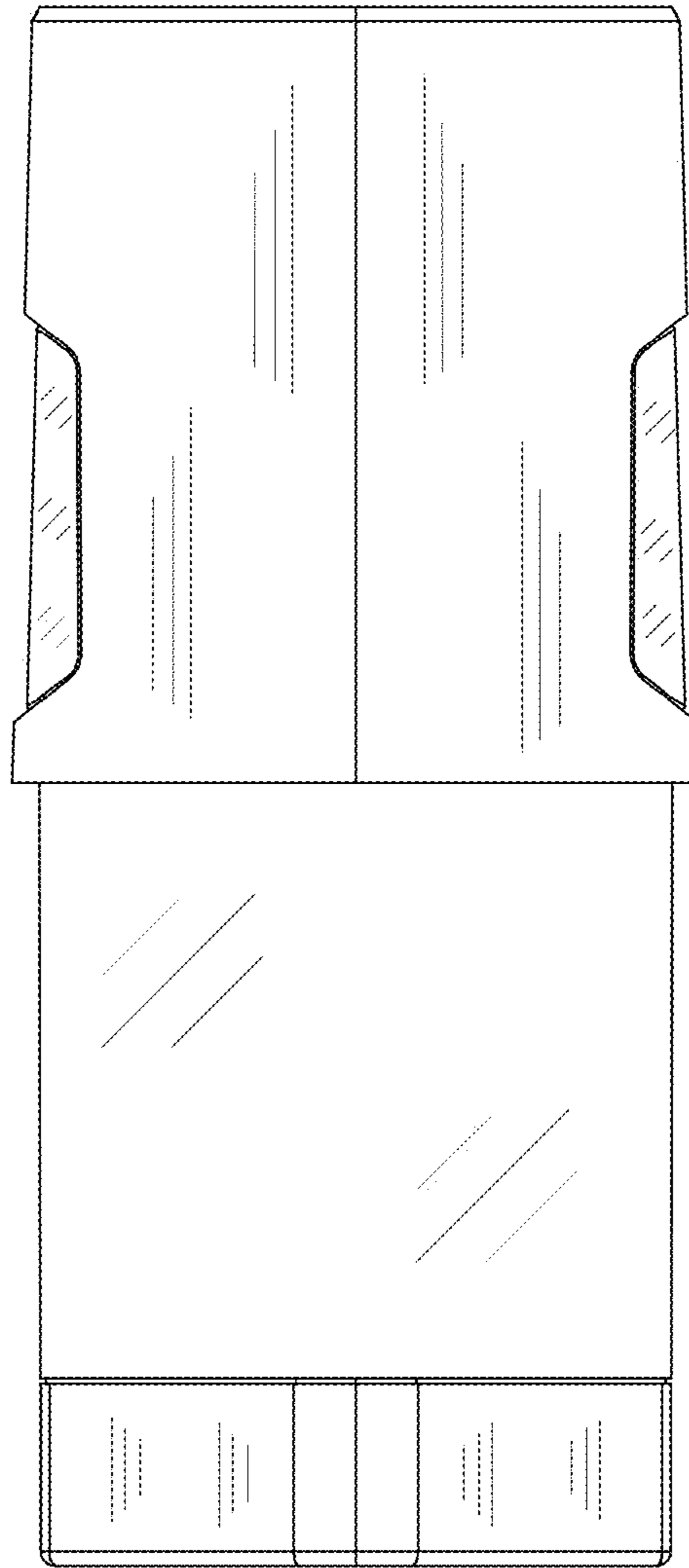


FIG.3

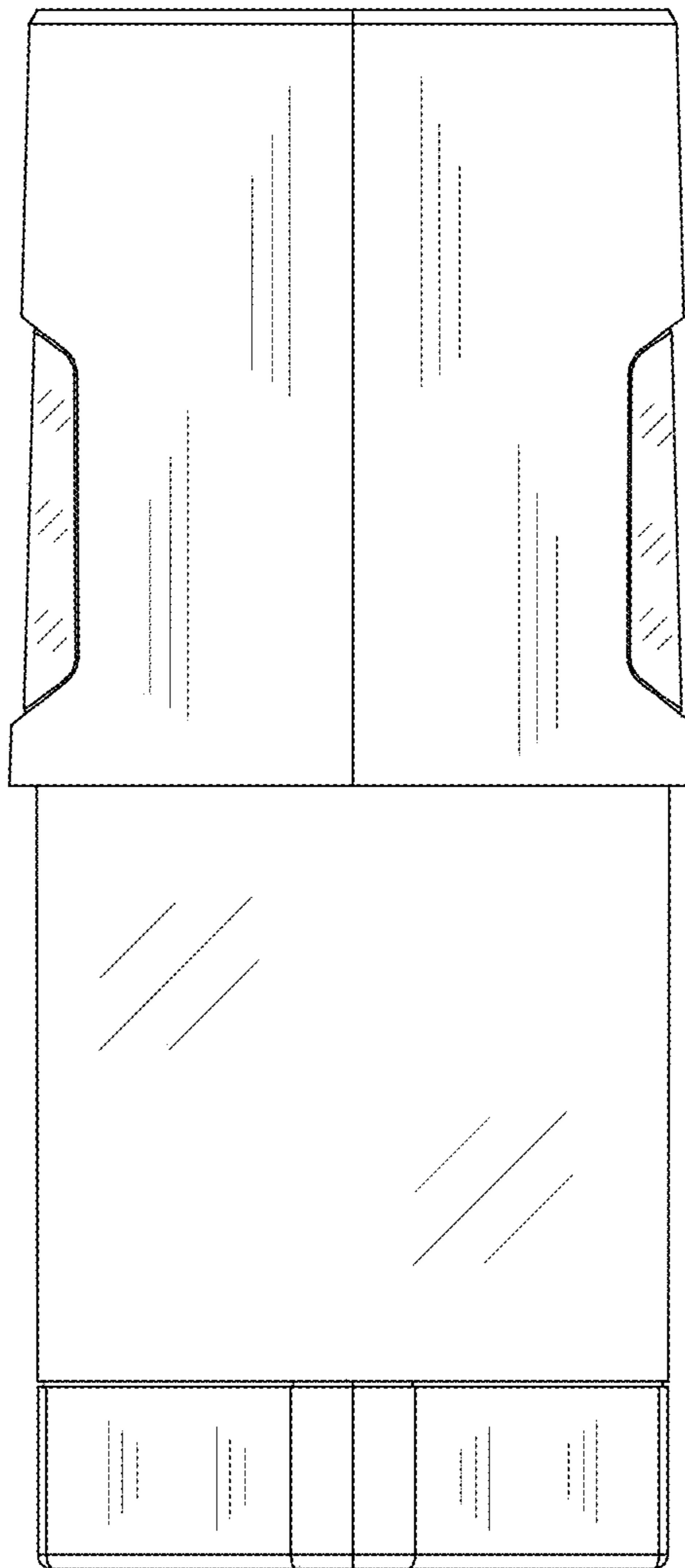


FIG.4

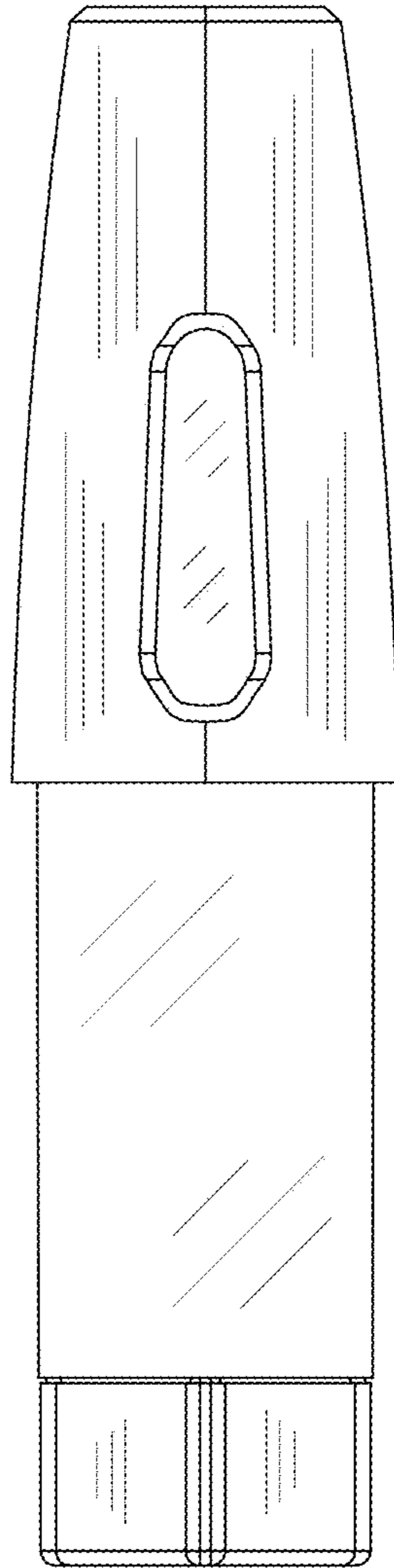


FIG.5

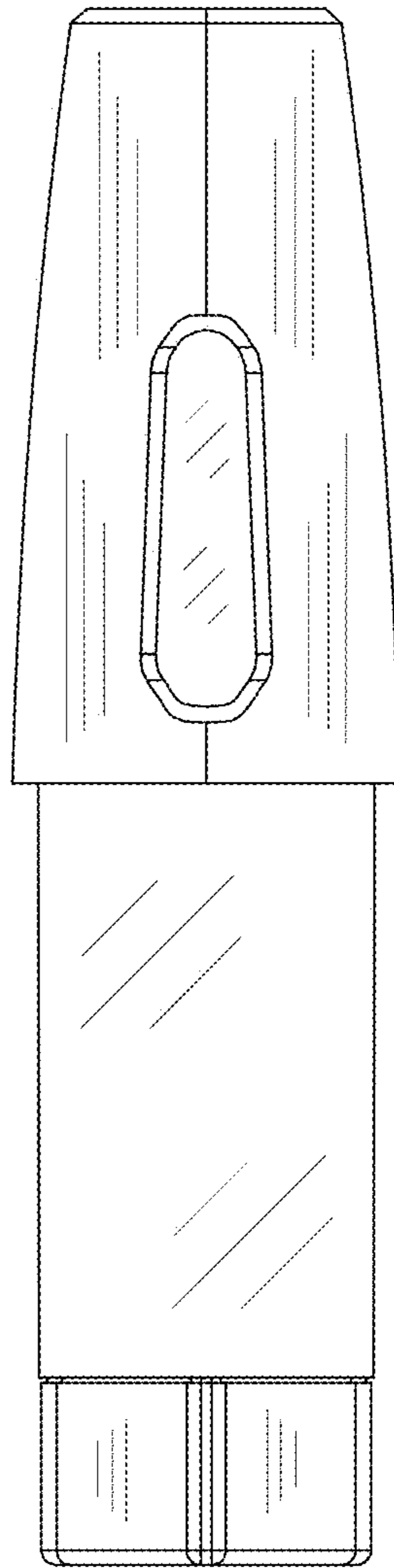


FIG.6

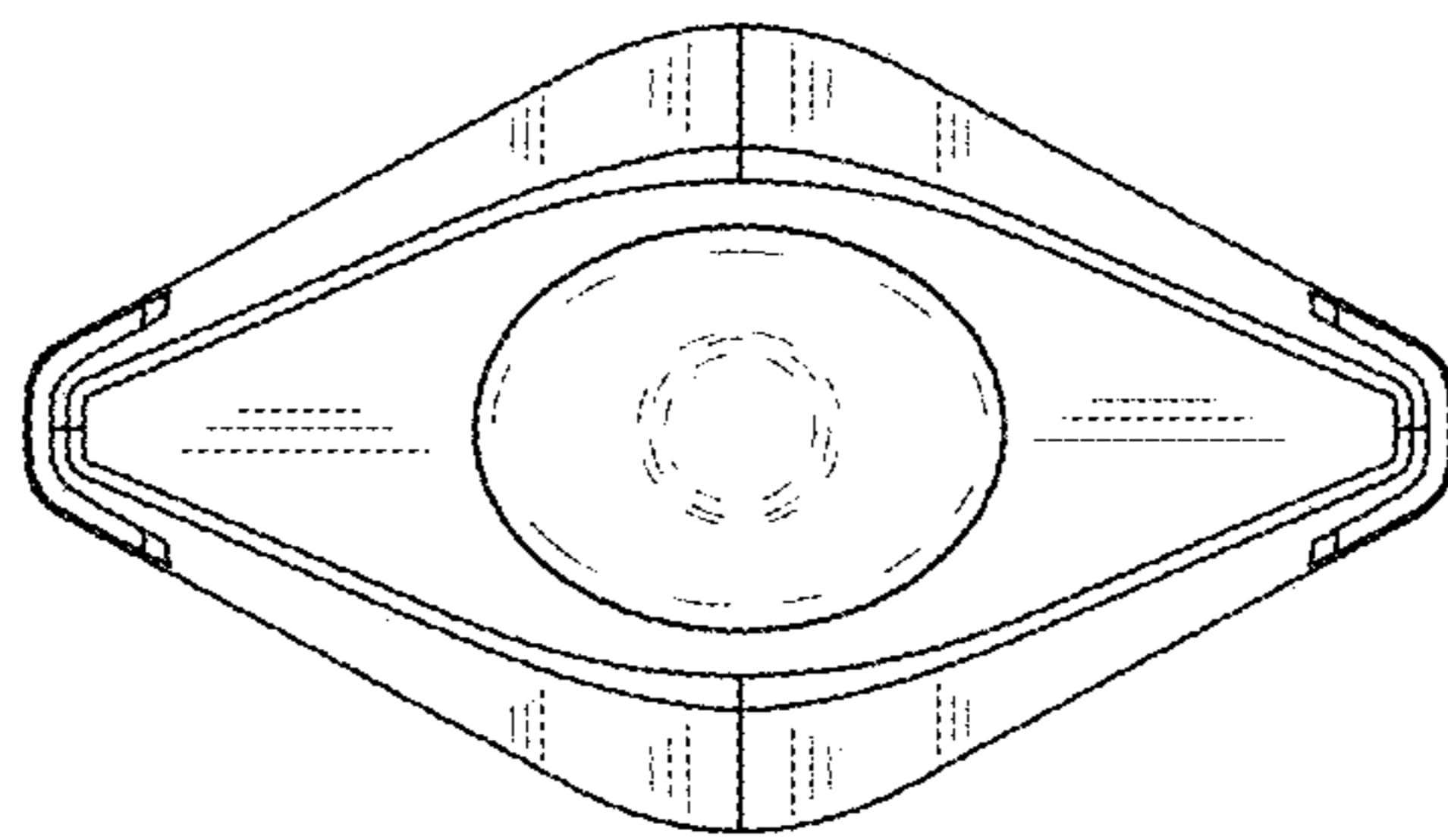


FIG.7

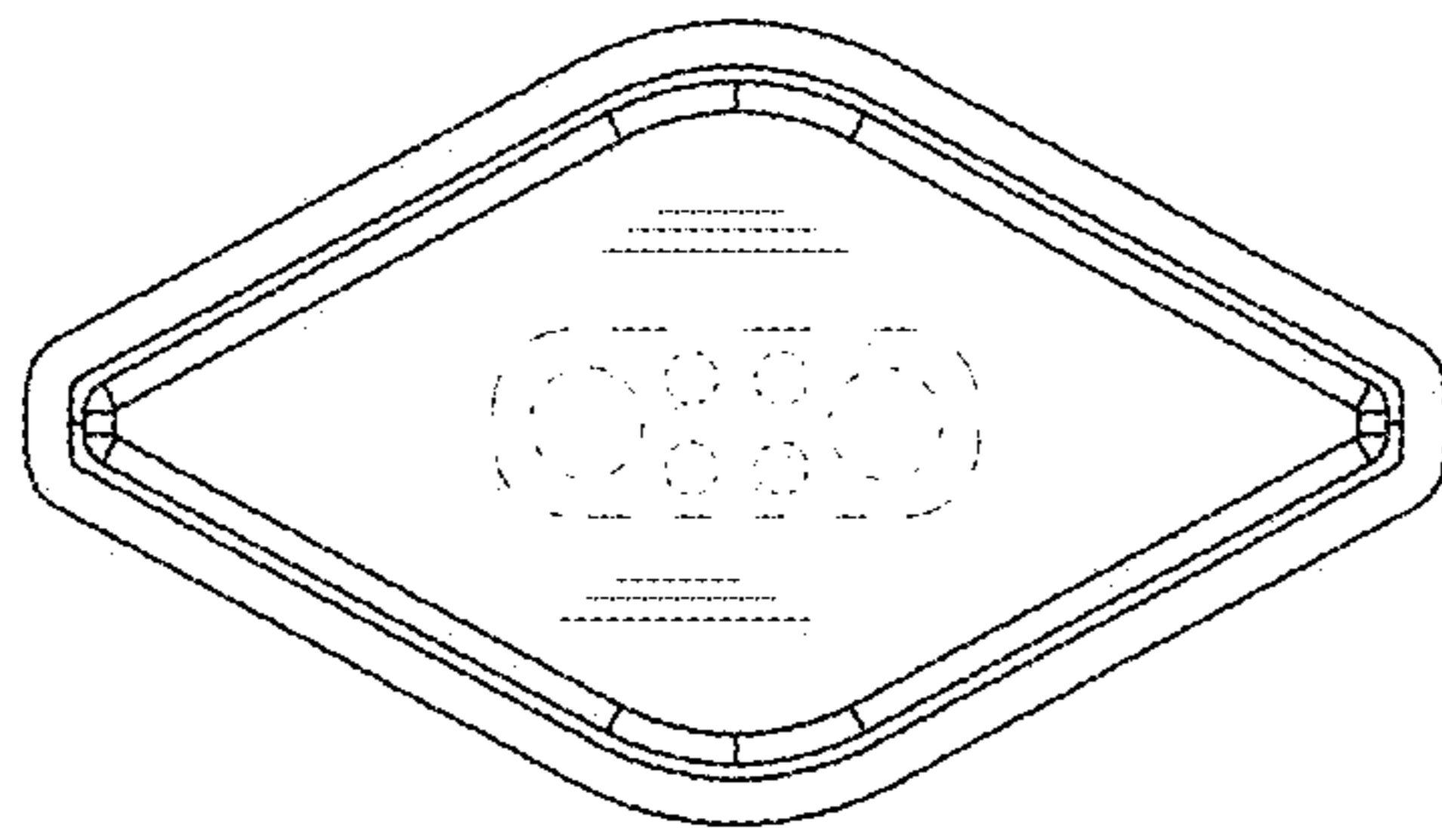


FIG.8