



US00D932685S

(12) **United States Design Patent** (10) **Patent No.:** **US D932,685 S**
Chung et al. (45) **Date of Patent:** **** Oct. 5, 2021**

(54) **EXTINGUISHER FOR HEATED TOBACCO STICKS**

(71) Applicant: **PHILIP MORRIS PRODUCTS S.A.**, Neuchatel (CH)

(72) Inventors: **Kyungil Chung**, Dublin (IE); **Florent Cuchet**, Stockholm (SE); **Philip Nilsson**, Wicklow (IE)

(73) Assignee: **PHILIP MORRIS PRODUCTS S.A.**, Neuchatel (CH)

(**) Term: **15 Years**

(21) Appl. No.: **29/692,854**

(22) Filed: **May 29, 2019**

Related U.S. Application Data

(62) Division of application No. 35/504,881, filed on Nov. 8, 2017 (U.S. filing date under 35 U.S.C. 384), and having an international filing date of Nov. 8, 2017, now Pat. No. Des. 870,367.

(30) **Foreign Application Priority Data**

May 26, 2017 (EM) 004020394-0001
May 26, 2017 (EM) 004020394-0002
May 26, 2017 (EM) 004020394-0004

(51) **LOC (13) Cl.** **27-05**

(52) **U.S. Cl.**
USPC **D27/141**

(58) **Field of Classification Search**
USPC D27/141-163, 172-194
CPC A24F 47/00; A24F 47/008; H05B 3/03;
A61M 16/108; A61M 16/10
See application file for complete search history.

(56) **References Cited**

U.S. PATENT DOCUMENTS

D284,113 S 6/1986 Wassmann
D318,932 S * 8/1991 Frigiére D27/154

D360,281 S * 7/1995 Kim D27/141
D377,235 S 1/1997 Inoue et al.
D467,683 S * 12/2002 Lin D27/154
D493,912 S 8/2004 Wong
D494,313 S 8/2004 Wong
D498,330 S * 11/2004 Koike D27/157
D502,285 S 2/2005 Tufts, Jr. et al.
D527,140 S 8/2006 Harel
D531,353 S * 10/2006 Ruan D27/154
D534,681 S * 1/2007 Ruan D27/154
D572,405 S * 7/2008 Yang D27/154

(Continued)

FOREIGN PATENT DOCUMENTS

TW D112686 8/2006

OTHER PUBLICATIONS

Combined Notice of Allowance and Search Report dated Mar. 29, 2019 in Taiwanese Patent Application No. 106306700 (with English translation), 5 pages.

Primary Examiner — Natasha Vujcic

(74) *Attorney, Agent, or Firm* — Oblon, McClelland, Maier & Neustadt, L.L.P.

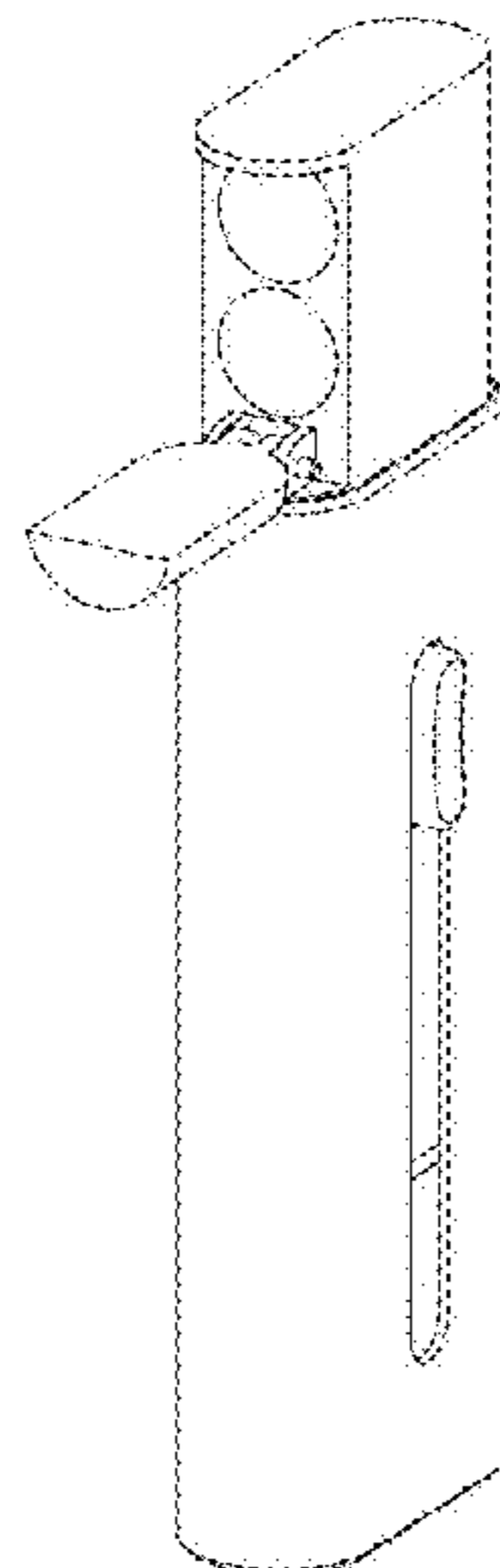
(57) **CLAIM**

The ornamental design for an extinguisher for heated tobacco sticks, as shown and described.

DESCRIPTION

FIG. 1 is a front, top, and left side perspective view of an extinguisher for heated tobacco sticks;
FIG. 2 is a front elevational view thereof;
FIG. 3 is a rear elevational view thereof;
FIG. 4 is a left side elevational view thereof;
FIG. 5 is a right side elevational view thereof;
FIG. 6 is a top plan view thereof; and,
FIG. 7 is a bottom plan view thereof.

1 Claim, 7 Drawing Sheets



(56)

References Cited

U.S. PATENT DOCUMENTS

D625,464 S	*	10/2010	Huang	D27/154
D664,709 S		7/2012	Almsberger et al.	
D693,055 S		11/2013	Manca et al.	
D700,397 S		2/2014	Manca et al.	
D700,738 S		3/2014	Rennick et al.	
D733,961 S	*	7/2015	Wu	D27/189
D736,995 S		8/2015	Recio	
D754,913 S		4/2016	Almsberger et al.	
D760,428 S		6/2016	Rahbar	
D778,494 S	*	2/2017	Scott	D27/189
D790,455 S		6/2017	McGarry et al.	
D801,507 S	*	10/2017	Kelnhofer	D23/366
D807,575 S		1/2018	Luo	
D815,346 S	*	4/2018	Bagai	D27/191
D818,637 S	*	5/2018	Ringel	D27/141
D828,950 S		9/2018	Gu	
D829,982 S	*	10/2018	Wang	D27/167
D833,671 S		11/2018	Stephane	
D870,367 S	*	12/2019	Chung	D27/141
D884,263 S	*	5/2020	Chen	D27/154
D898,991 S	*	10/2020	Pan	D27/162
D905,901 S	*	12/2020	Kim	D27/162

* cited by examiner

FIG. 1

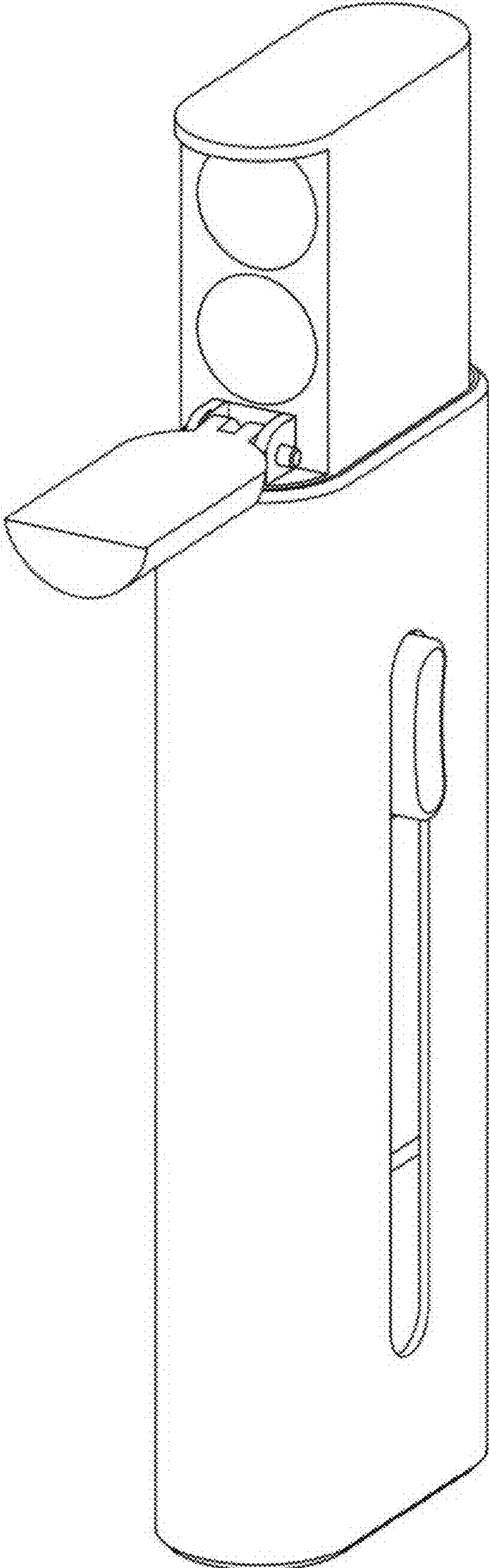


FIG. 2

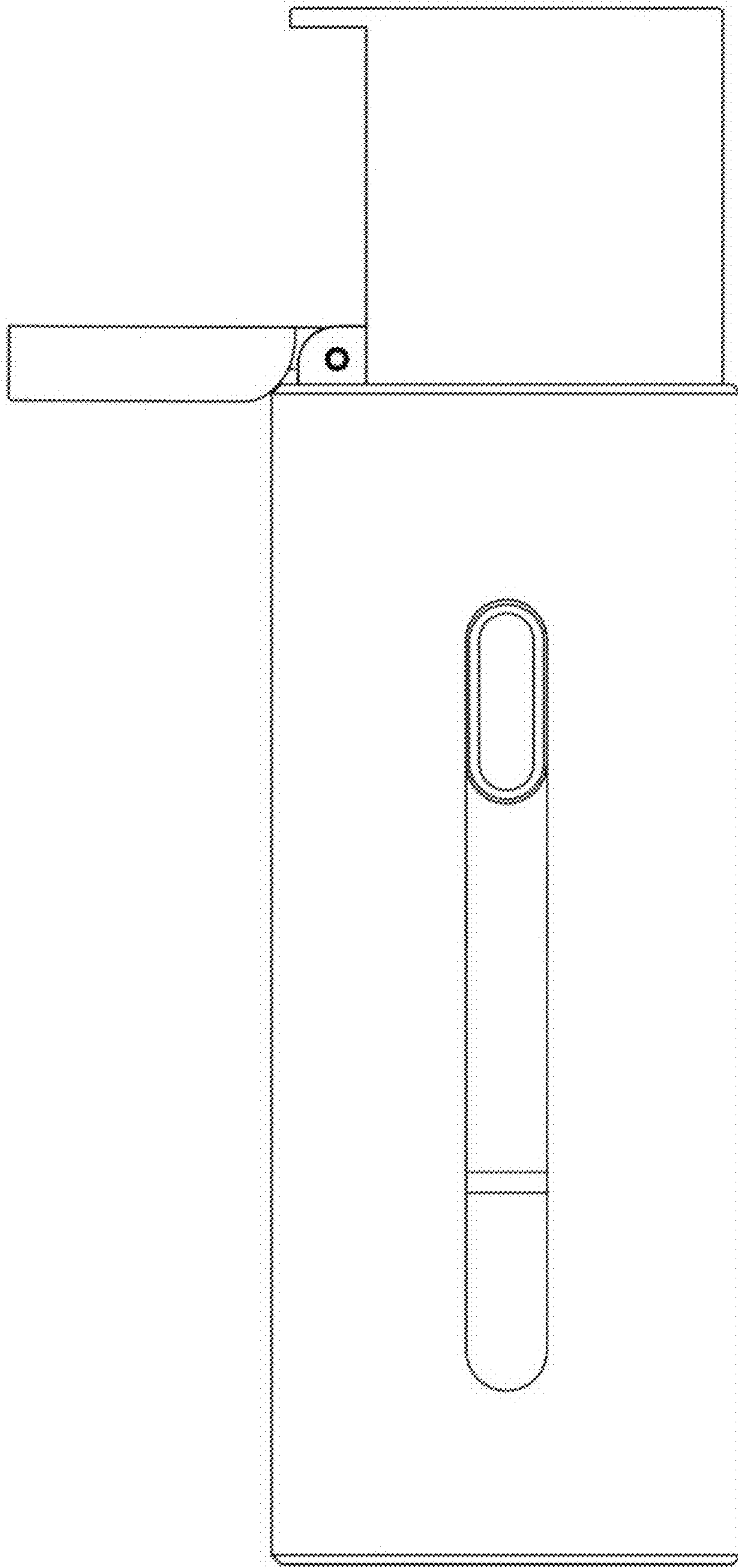


FIG. 3

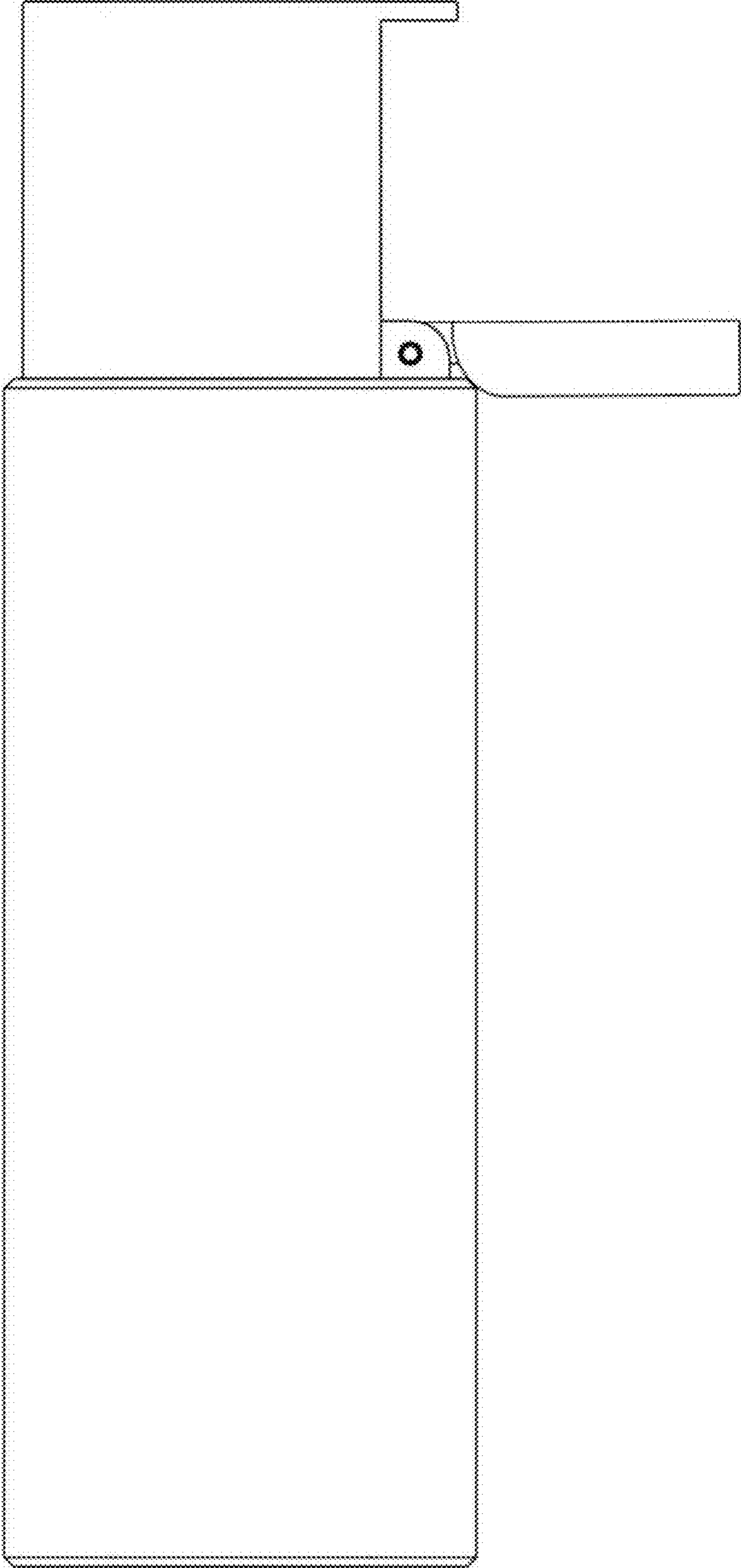


FIG. 4

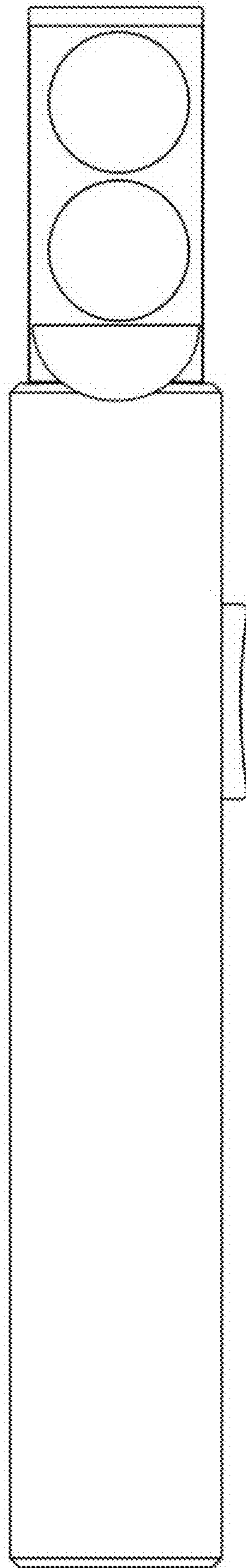


FIG. 5

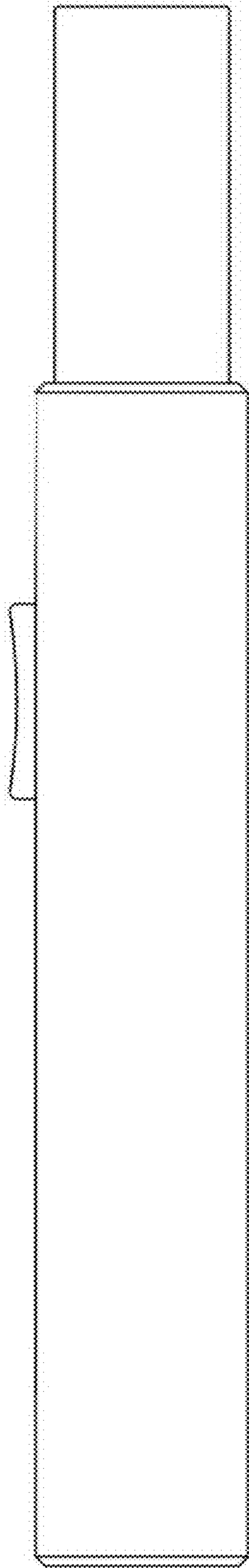


FIG. 6

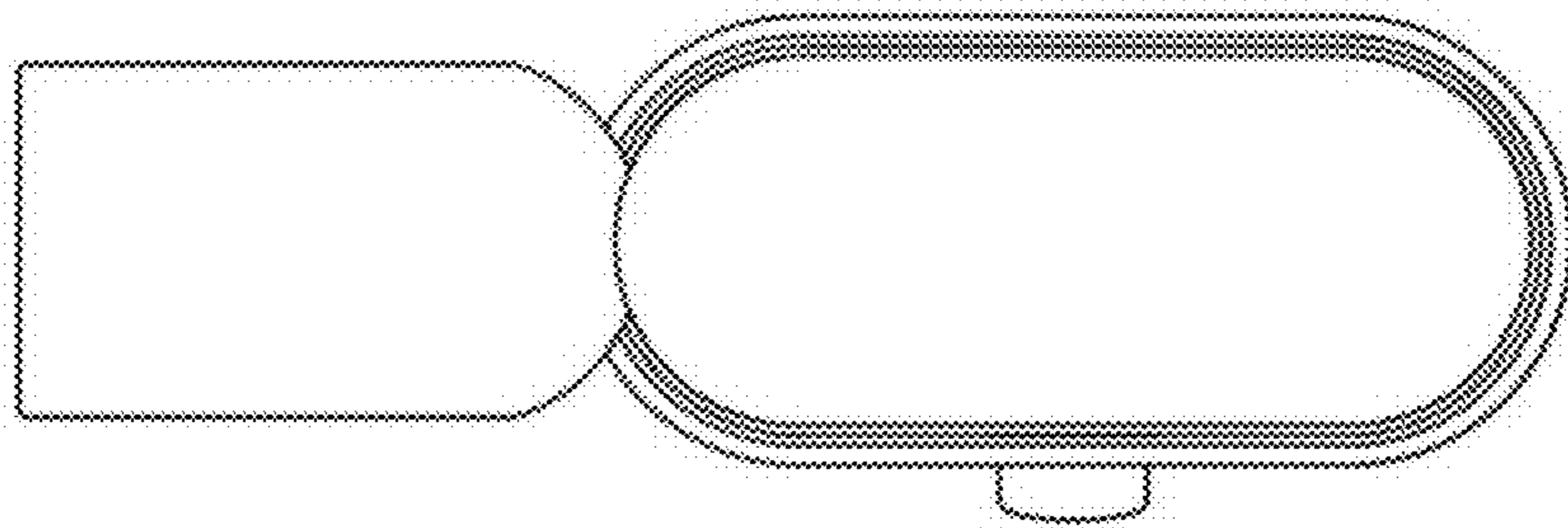


FIG. 7

