



US00D932684S

(12) **United States Design Patent**  
**Becker**

(10) **Patent No.:** **US D932,684 S**

(45) **Date of Patent:** **\*\* Oct. 5, 2021**

(54) **POOL LIGHTING ADAPTER PLATE FOR PLASTER**

(71) Applicant: **Troy Becker**, Ojai, CA (US)

(72) Inventor: **Troy Becker**, Ojai, CA (US)

(73) Assignee: **QWIKLED, INC.**, Ojai, CA (US)

(\*\*) Term: **15 Years**

(21) Appl. No.: **29/705,518**

(22) Filed: **Sep. 12, 2019**

(51) **LOC (13) Cl.** ..... **26-05**

(52) **U.S. Cl.**  
USPC ..... **D26/142**

(58) **Field of Classification Search**  
USPC ..... D26/63, 72, 80, 81-92, 142, 143, 144  
CPC .... F21S 8/03; F21S 8/031; F21S 8/033; F21S 8/035; F21S 8/036; F21S 13/02  
See application file for complete search history.

(56) **References Cited**

**U.S. PATENT DOCUMENTS**

D249,385 S	9/1978	Delphia	
D256,915 S *	9/1980	Needleman	D14/224
D380,852 S *	7/1997	Lecluze	D26/118
D398,215 S *	9/1998	Richter	D8/349
D535,039 S	1/2007	Sorokin	
D581,089 S	11/2008	St-Hilaire	
D586,456 S *	2/2009	Guthrie	D23/412
D748,578 S *	2/2016	Takagi	D13/137.2
D754,776 S *	4/2016	Bellows	D16/242
D761,453 S	7/2016	Sorokin	
D803,471 S	11/2017	Mjelde	

D824,089 S *	7/2018	Dupras	D26/138
D840,575 S	2/2019	Dyck	
D851,144 S *	6/2019	Wood	D15/139
D851,321 S *	6/2019	Vanslambrouck	D26/89
D905,327 S *	12/2020	Williams	D26/142

\* cited by examiner

*Primary Examiner* — Mark A Goodwin  
*Assistant Examiner* — Benjamin M Weeks  
(74) *Attorney, Agent, or Firm* — SoCal IP Law Group  
LLP; Michael D. Harris

(57) **CLAIM**

The ornamental design for a pool lighting adapter plate for plaster, as shown and described.

**DESCRIPTION**

FIG. 1 is a front, top, and side perspective view of a pool lighting adapter plate for plaster showing a new design; FIG. 2 is a rear, top, and side perspective view thereof; FIG. 3 is a top view thereof; FIG. 4 is a side view thereof; FIG. 5 is a bottom view thereof; FIG. 6 is a front, bottom, and side perspective view thereof; FIG. 7 is a rear, bottom, and side perspective view of the bottom thereof; and, FIG. 8 is a sectional view thereof taken along line 8-8 in FIG. 3.

The broken line shown in FIG. 3 represents the viewing plane in which the sectional view of FIG. 8 is taken from and forms no part of the claimed design.

**1 Claim, 4 Drawing Sheets**

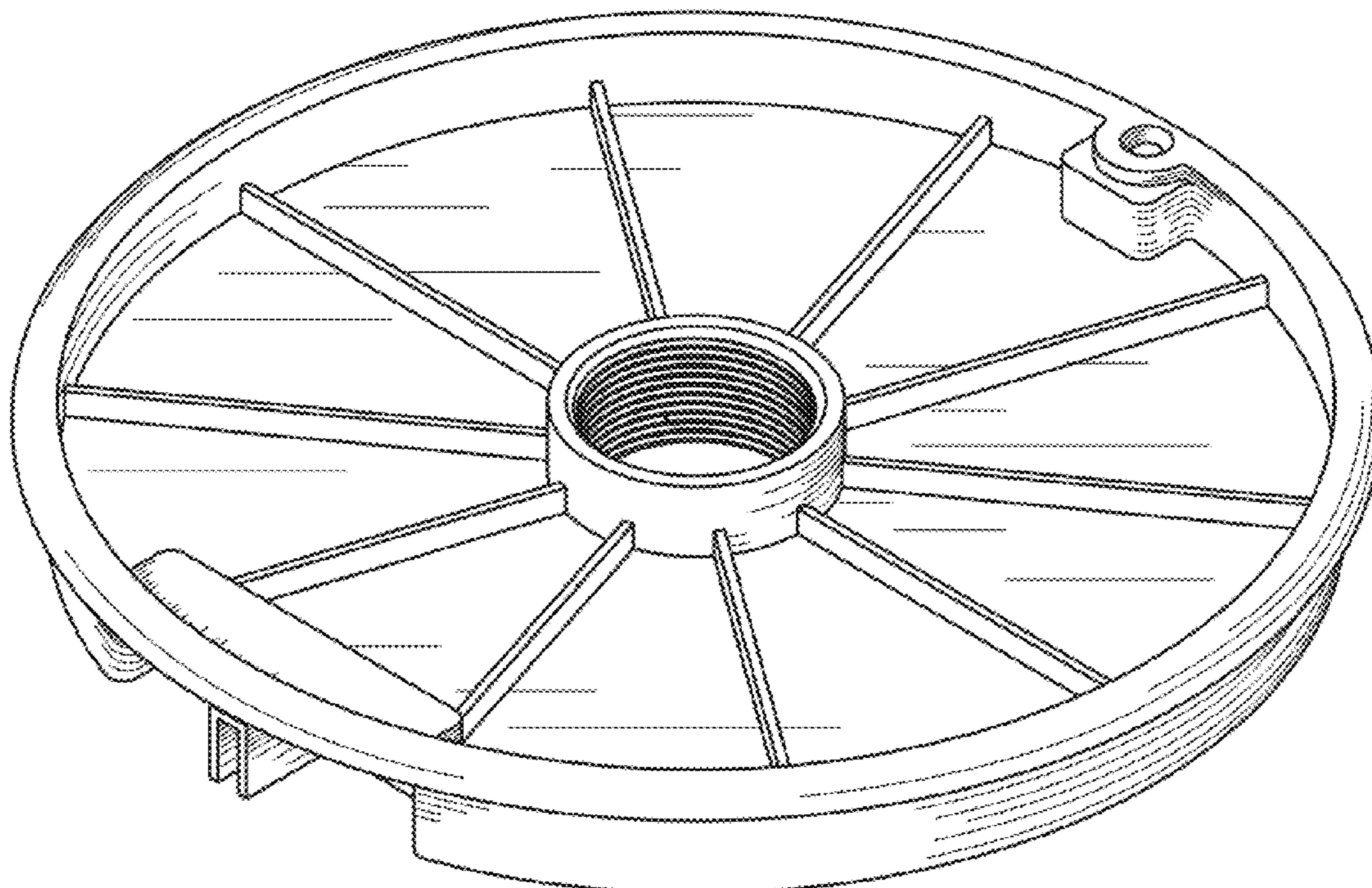


FIG. 1

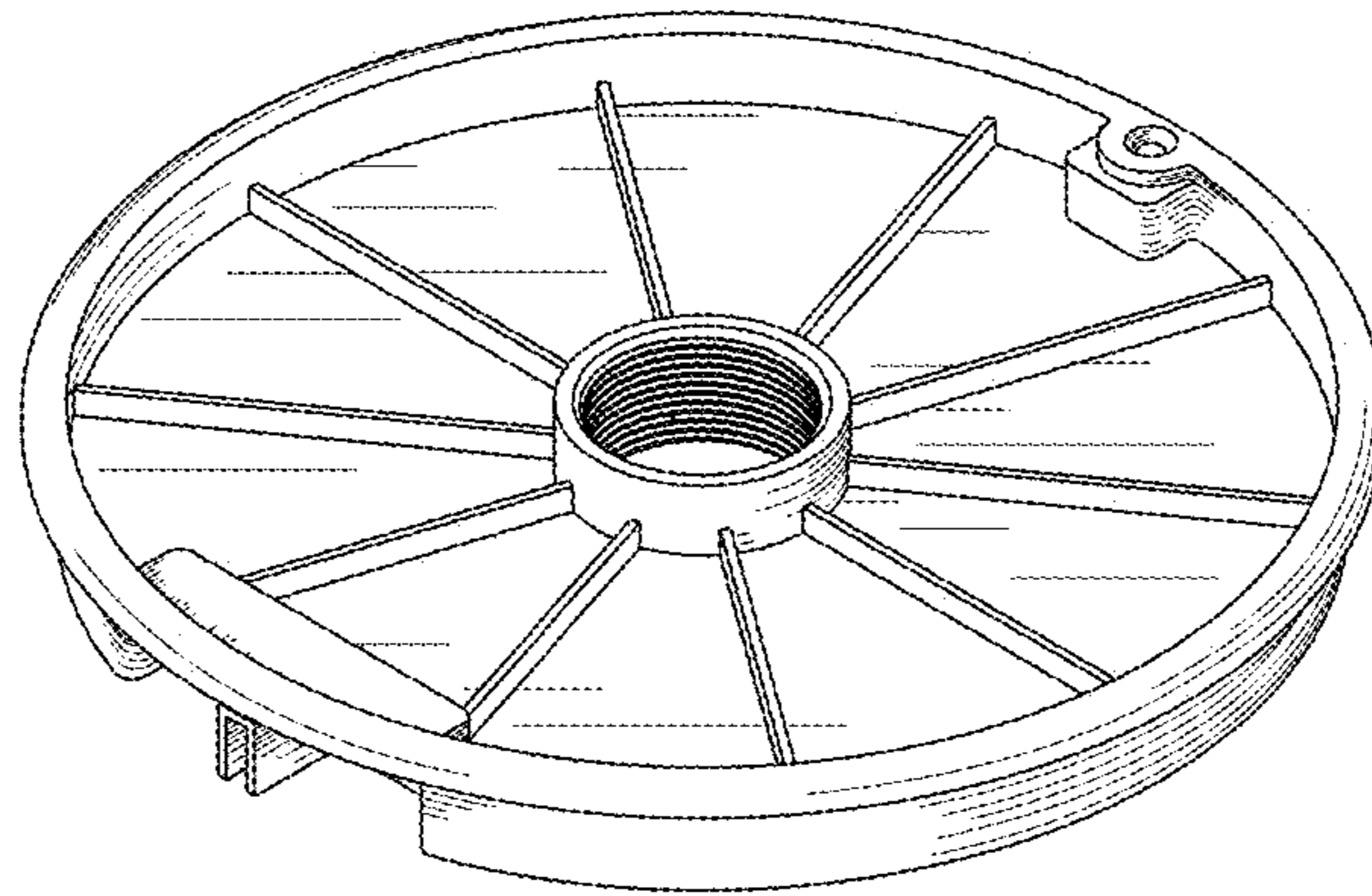


FIG. 2

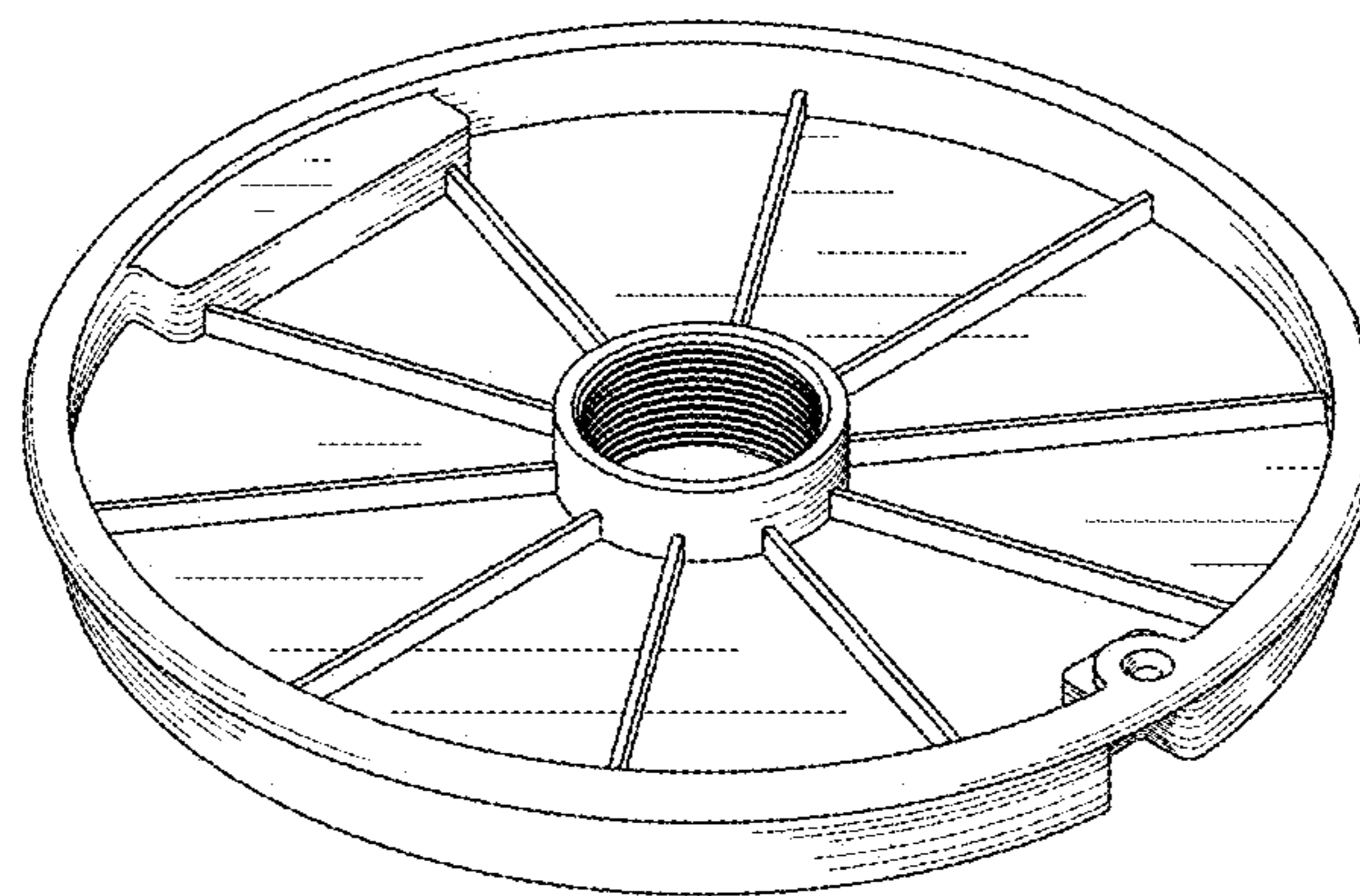


FIG. 3

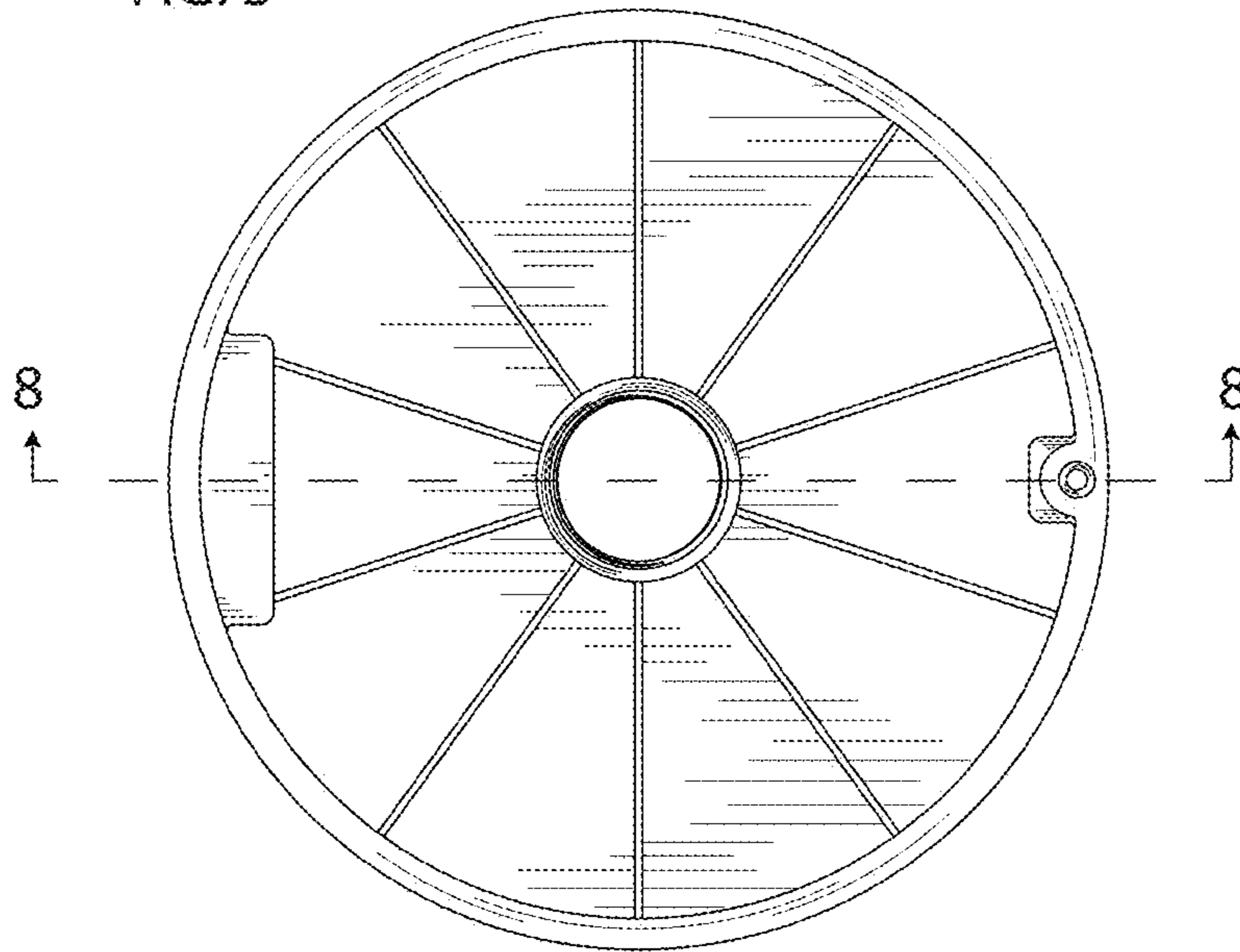


FIG. 4



FIG. 5

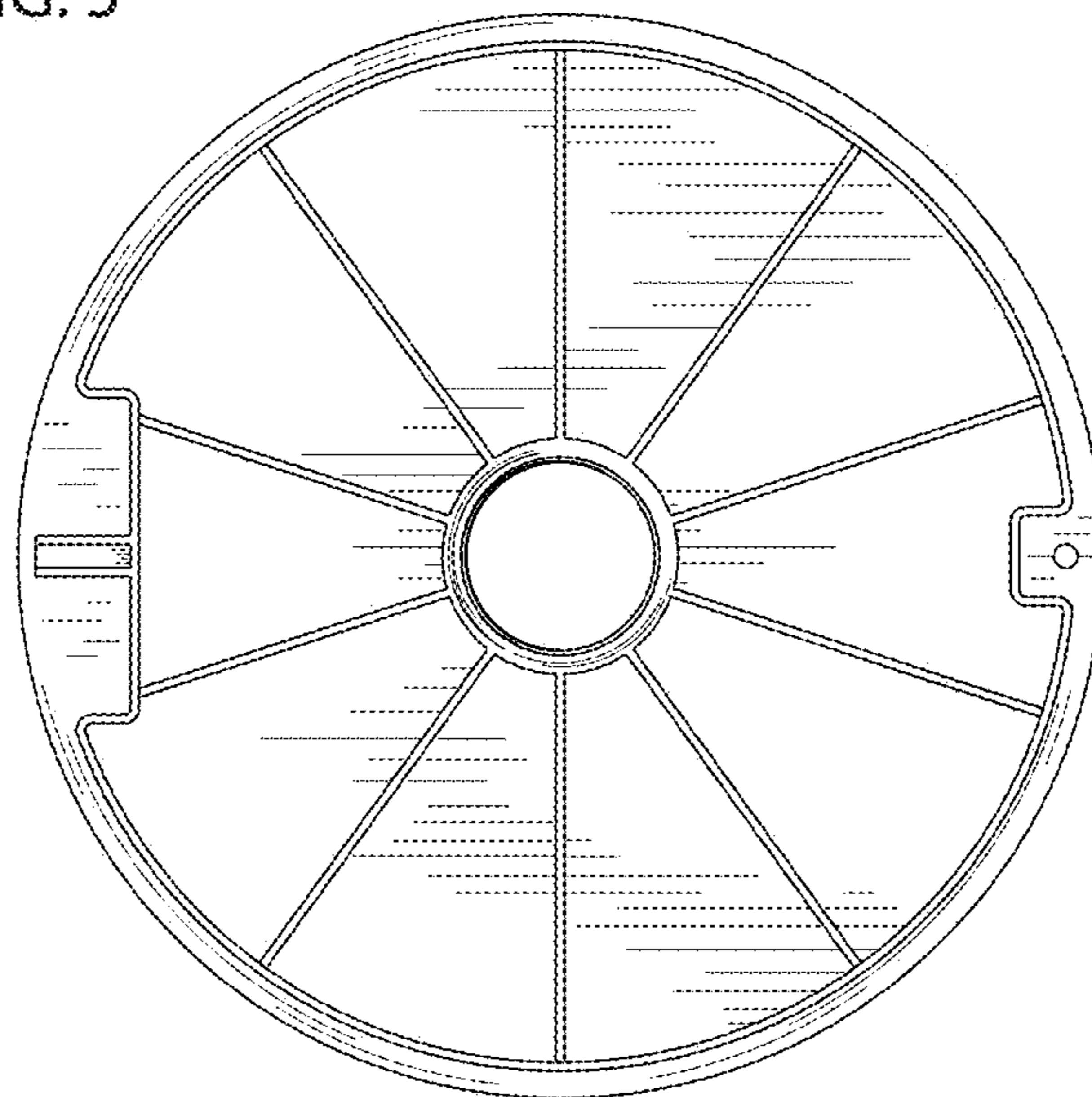


FIG. 6

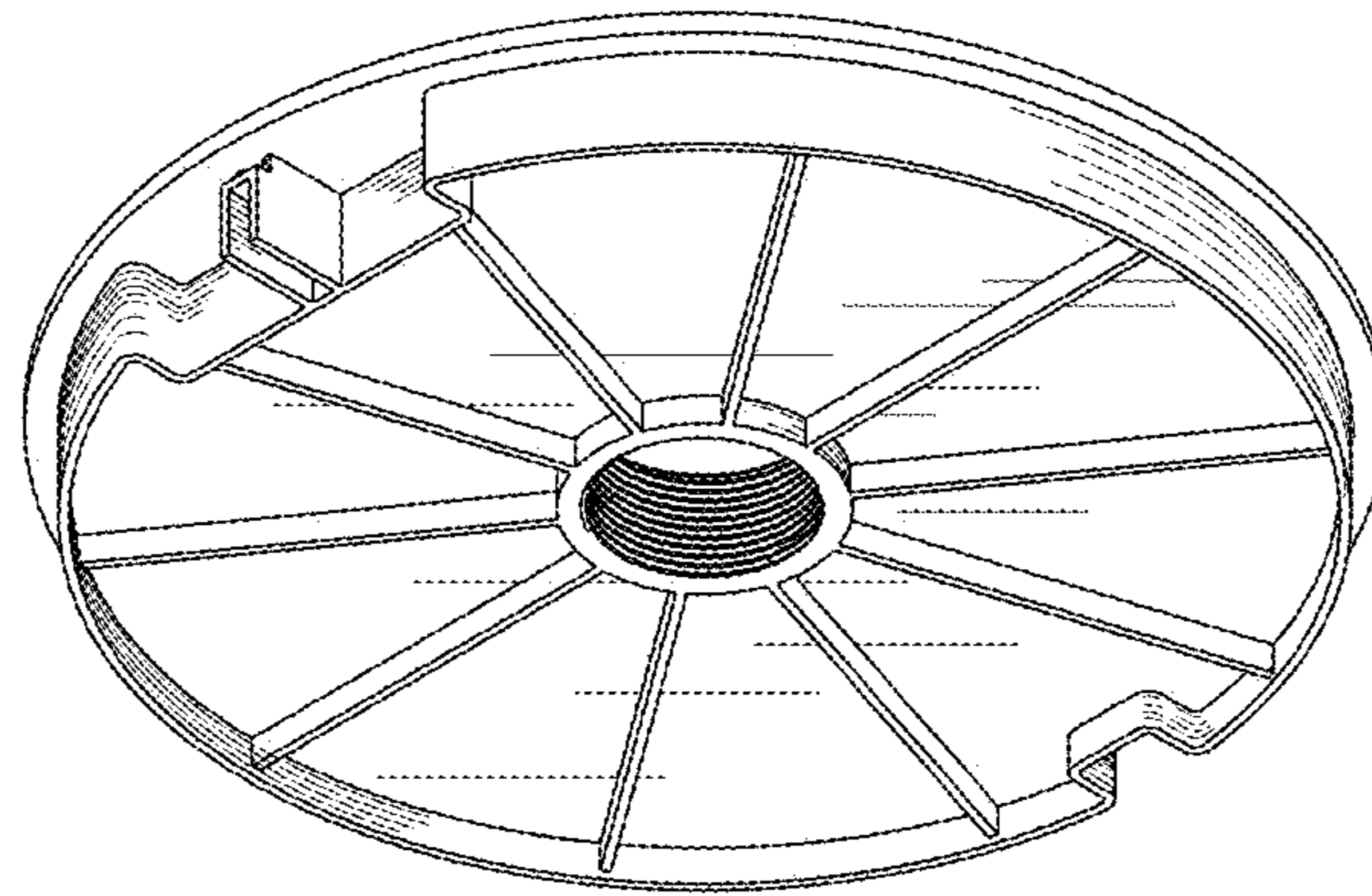


FIG. 7

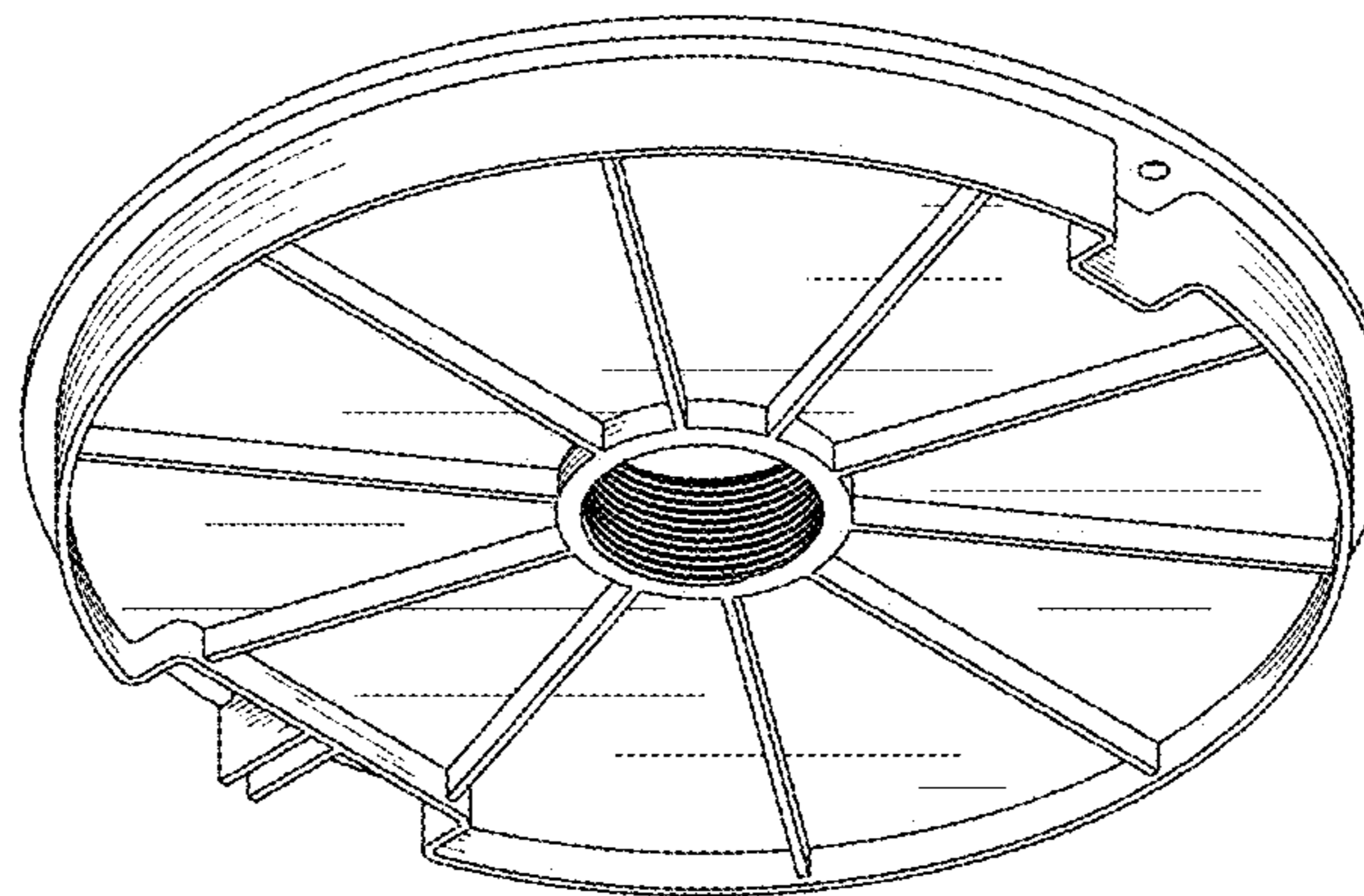


FIG. 8

