



US00D932681S

(12) **United States Design Patent** (10) **Patent No.:** **US D932,681 S**
Chen (45) **Date of Patent:** **** Oct. 5, 2021**

(54) **LIGHT FOR CHRISTMAS TREES**
(71) Applicant: **Eyun Chen**, Puning (CN)
(72) Inventor: **Eyun Chen**, Puning (CN)
(**) Term: **15 Years**
(21) Appl. No.: **29/755,496**
(22) Filed: **Oct. 21, 2020**
(51) **LOC (13) Cl.** **26-05**
(52) **U.S. Cl.**
USPC **D26/104; D26/106**
(58) **Field of Classification Search**
USPC D26/49, 60, 63, 72, 79, 85, 89, 92, 93,
D26/104, 106, 111, 118, 123, 124, 138;
D16/136, 237, 239, 244, 245, 250;
D28/9, 15, 16, 17, 99; D14/253; D8/71,
D8/72
CPC F21V 21/00; F21V 21/14; F21V 21/30;
F21V 21/096; F21V 1/00; F21V 1/12;
F21V 17/06; F21V 15/01; F21V 14/00;
F21V 14/02; G03B 2215/0575; G03B
2215/0539; G03B 2215/0592; G03B
2215/0589; G03B 15/03; G03B 15/05;
A45F 2200/0508-0533; F21K 5/00; F21K
5/02; F21S 8/003; F21S 8/043
See application file for complete search history.

D712,073 S * 8/2014 Hirabayashi D26/2
D804,694 S 12/2017 Campagna
D827,180 S * 8/2018 Mou D26/72
D854,227 S * 7/2019 Yu D26/106
D855,242 S * 7/2019 Chen D26/106
D860,485 S * 9/2019 Yu D26/24
D872,348 S * 1/2020 Liu D26/106
D895,877 S * 9/2020 Kaiser D26/72
D907,836 S * 1/2021 Zhou D26/106
D909,649 S * 2/2021 Chu D26/63
D910,220 S * 2/2021 Wang D26/63
D910,221 S * 2/2021 Wang D26/63
D924,454 S * 7/2021 Xiong D26/51
2016/0069548 A1* 3/2016 Wessel F21S 9/02
362/183
2017/0118385 A1* 4/2017 Vargas G03B 17/561
2019/0003699 A1* 1/2019 Mondora F21V 33/004
2020/0281054 A1* 9/2020 Li H05B 45/10
2021/0180783 A1* 6/2021 Frydenger F21V 23/003

* cited by examiner

Primary Examiner — Wan Laymon
Assistant Examiner — Clint A Samuel

(57) **CLAIM**

The ornamental design for a light for christmas trees, as shown and described.

DESCRIPTION

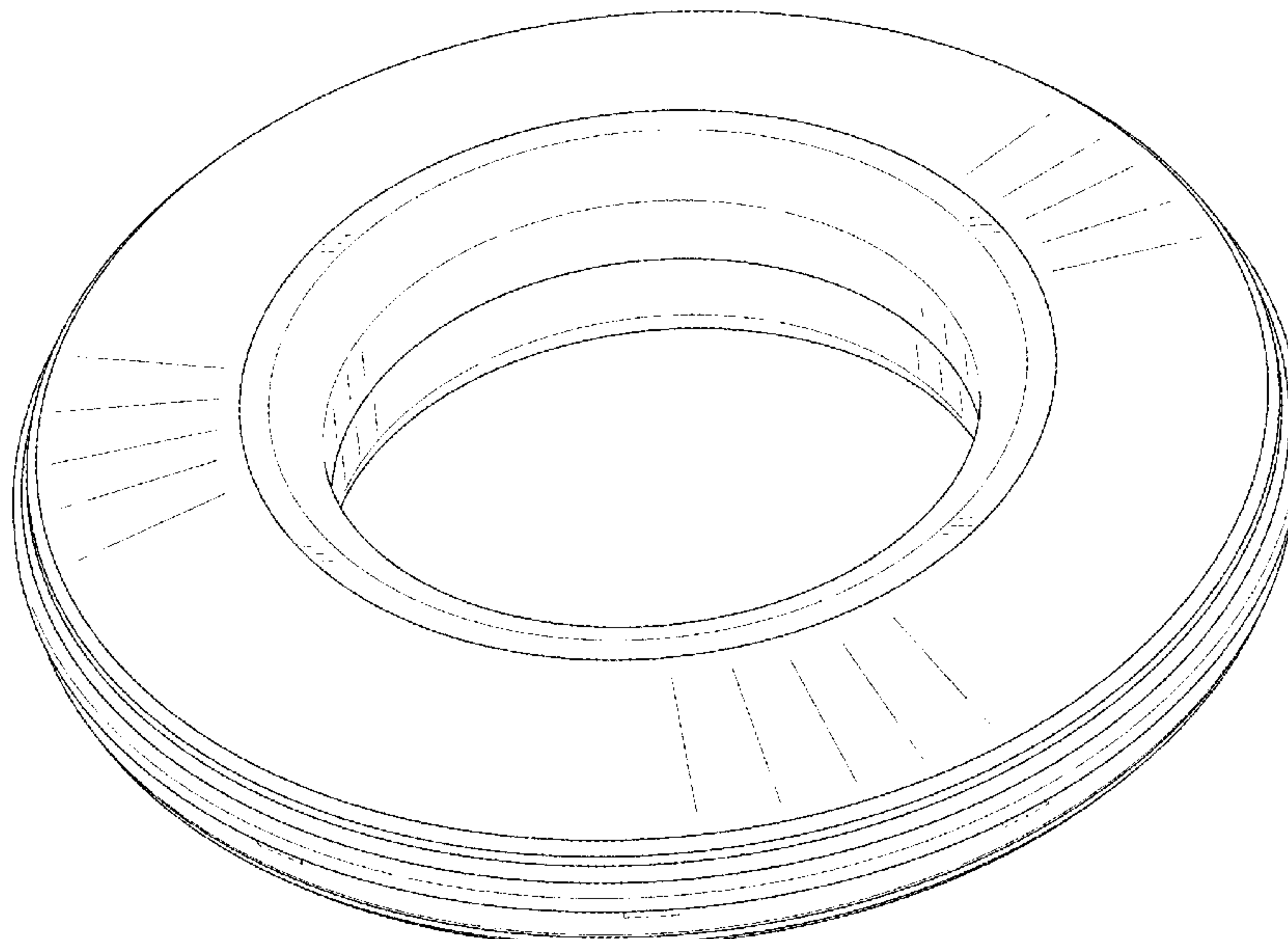
FIG. 1 is a perspective view of a light for christmas trees showing my new design;
FIG. 2 is another perspective view thereof;
FIG. 3 is a front elevational view thereof;
FIG. 4 is a rear elevational view thereof;
FIG. 5 is a left side elevational view thereof;
FIG. 6 is a right side elevational view thereof;
FIG. 7 is a top plan view thereof; and,
FIG. 8 is a bottom plan view thereof.
The broken lines in the drawings depict portions of the light for christmas trees that form no part of the claimed design.

1 Claim, 8 Drawing Sheets

(56) **References Cited**

U.S. PATENT DOCUMENTS

D250,968 S * 1/1979 Combest D26/152
D364,241 S * 11/1995 Jaynes D26/106
D482,806 S 11/2003 Lofton
D580,580 S * 11/2008 Lodhie D26/67
D611,178 S * 3/2010 Waring D26/34
D617,035 S * 6/2010 Sabernig D26/89
D636,513 S * 4/2011 Furtsch D26/51
D666,764 S * 9/2012 Gilad D26/87



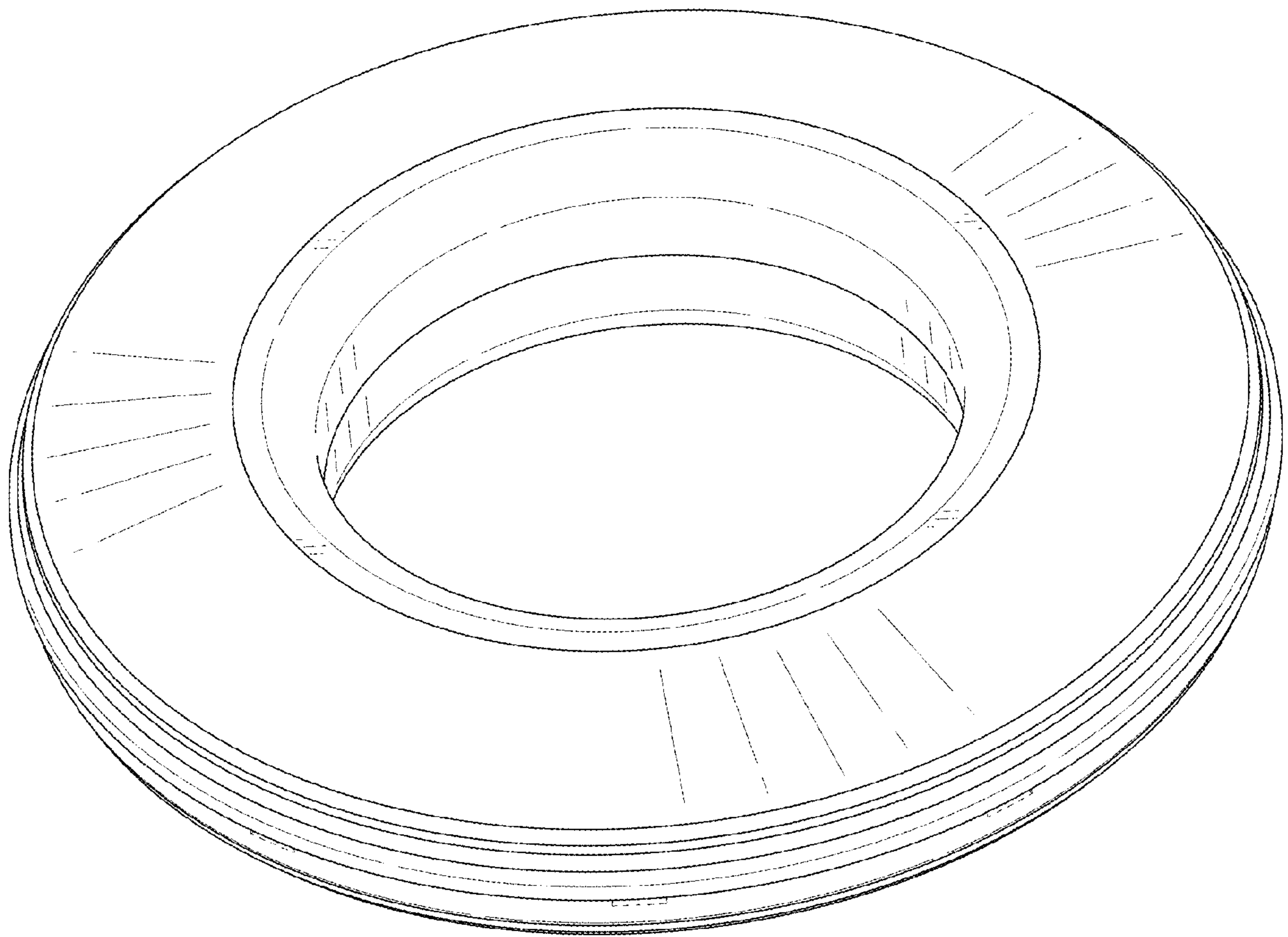


FIG. 1

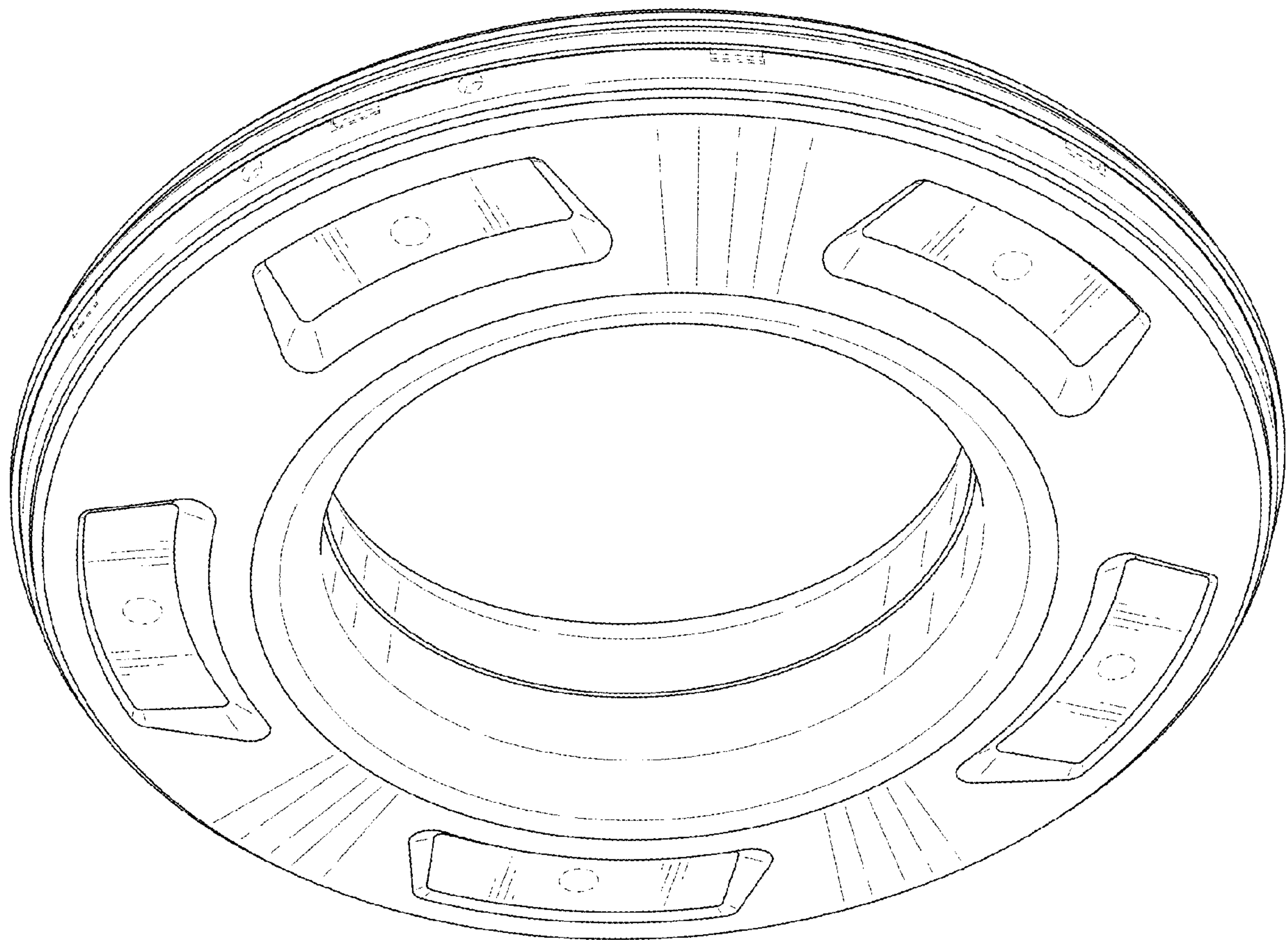


FIG. 2

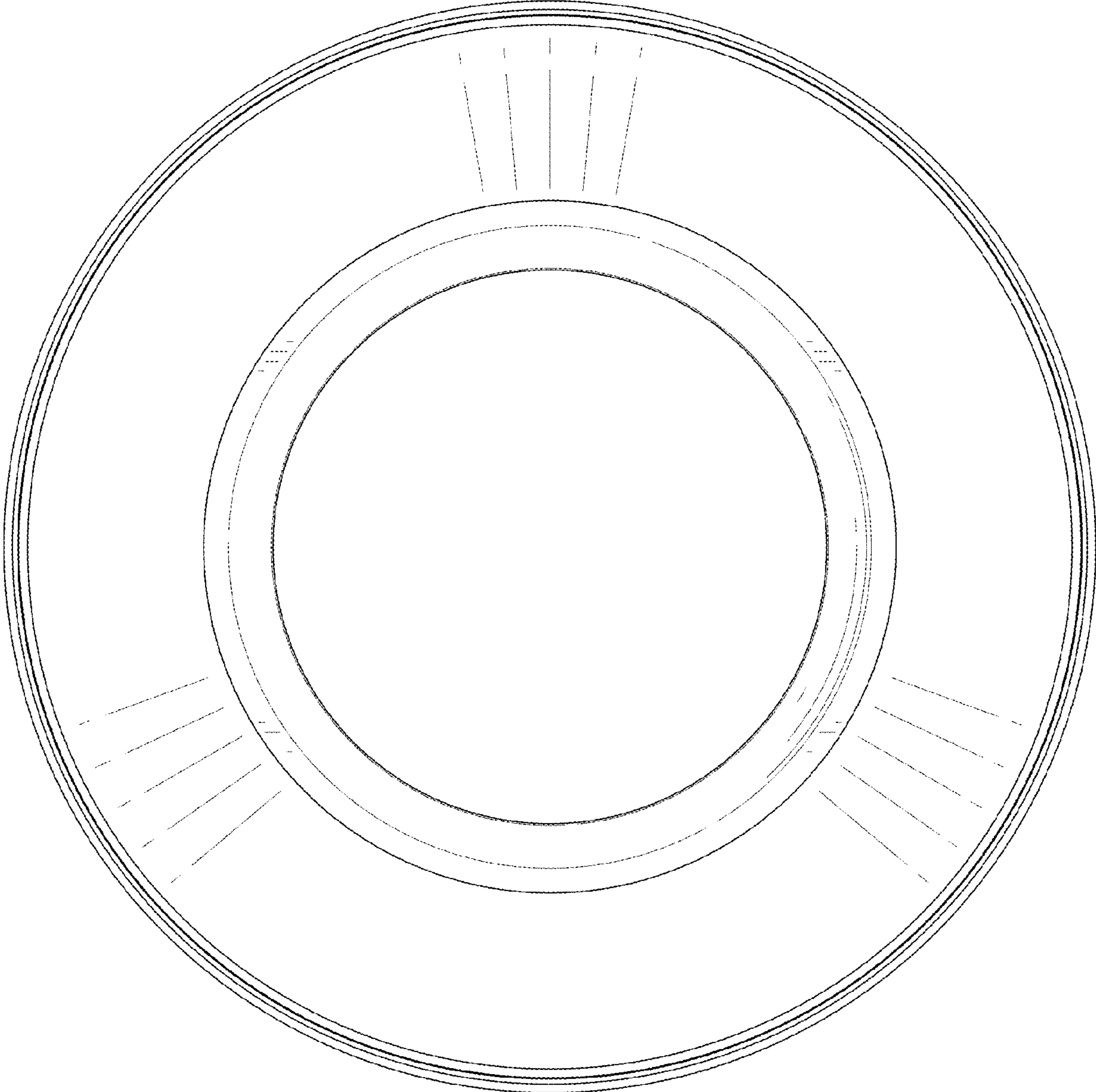


FIG. 3

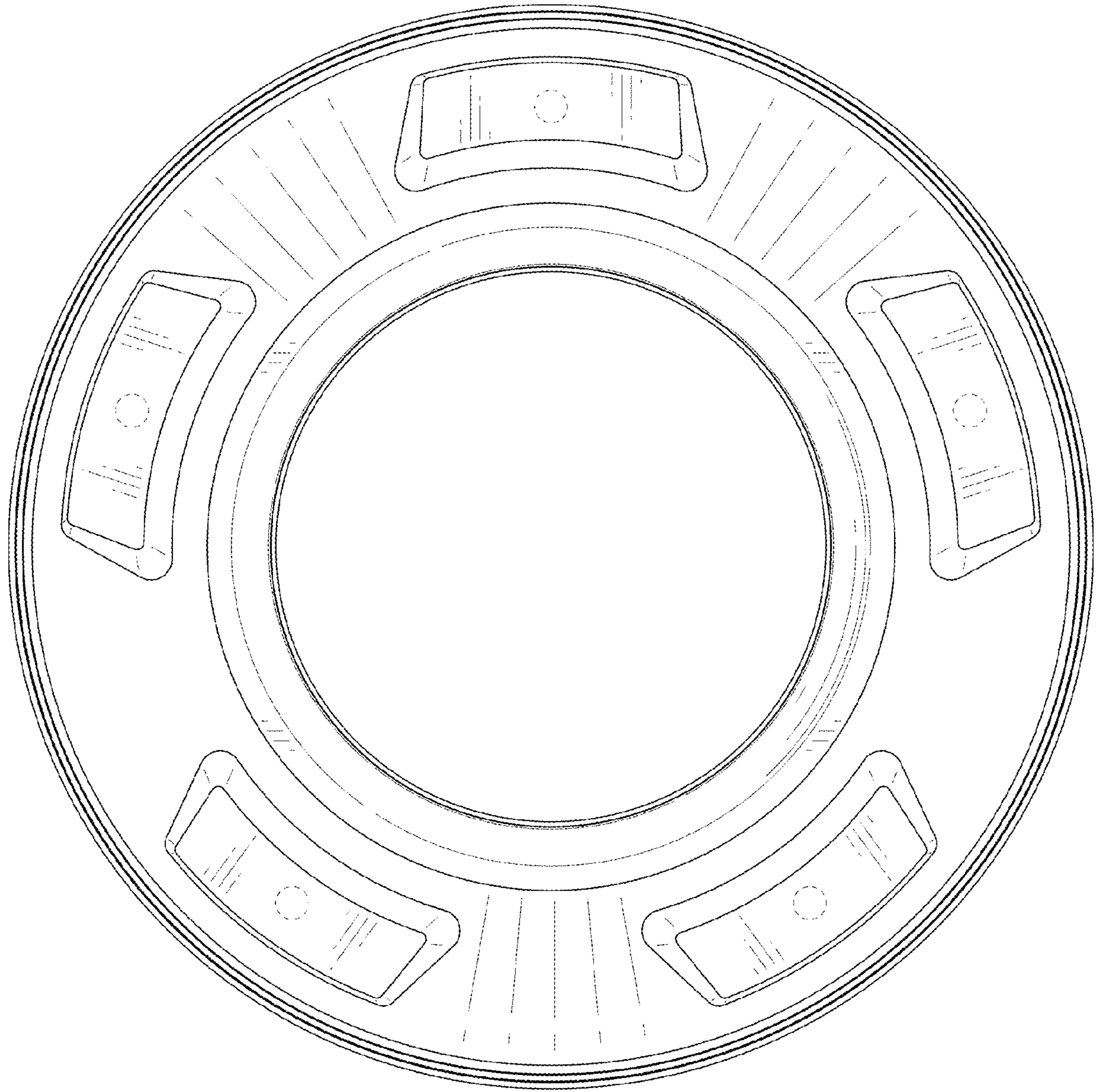


FIG. 4

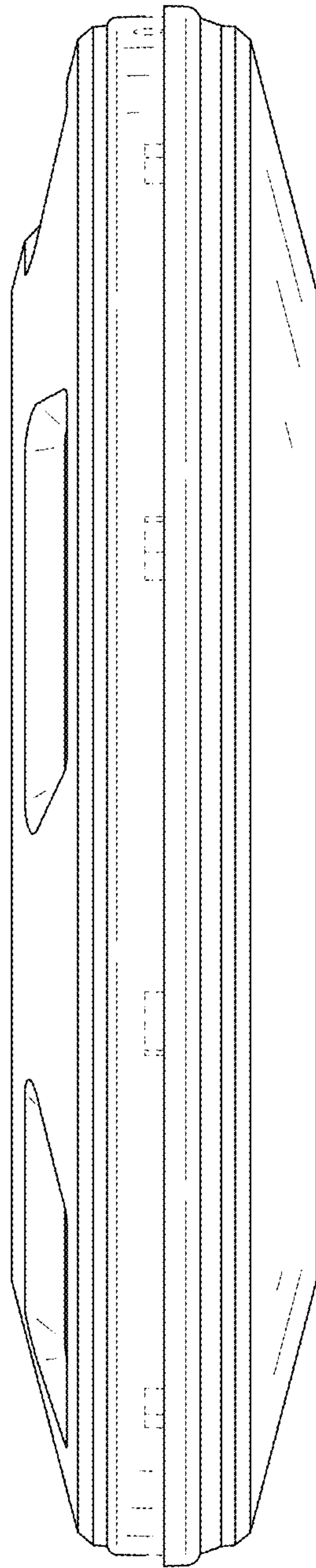


FIG. 5

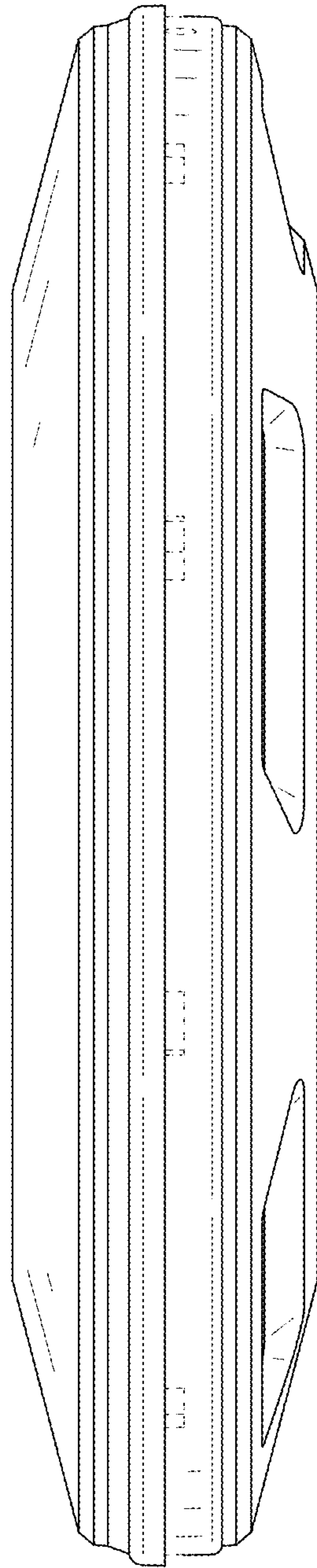


FIG. 6

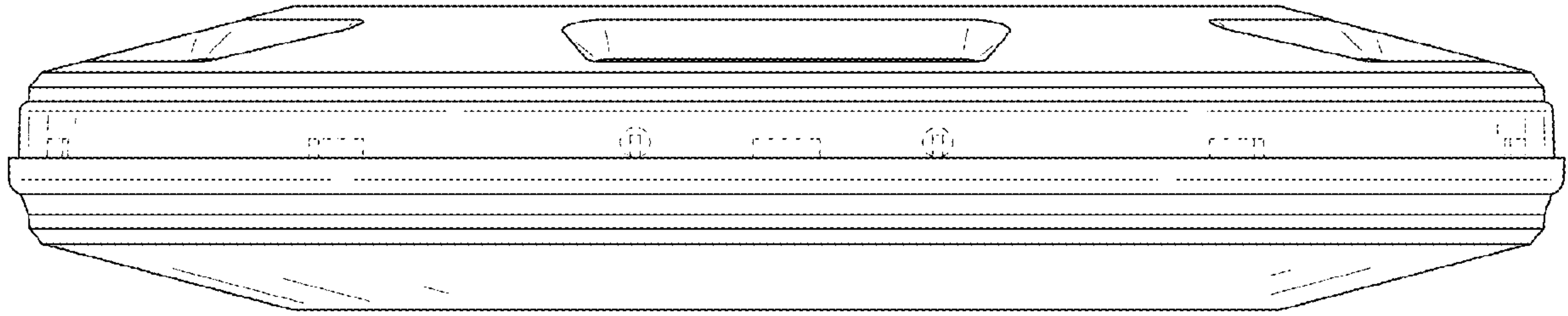


FIG. 7

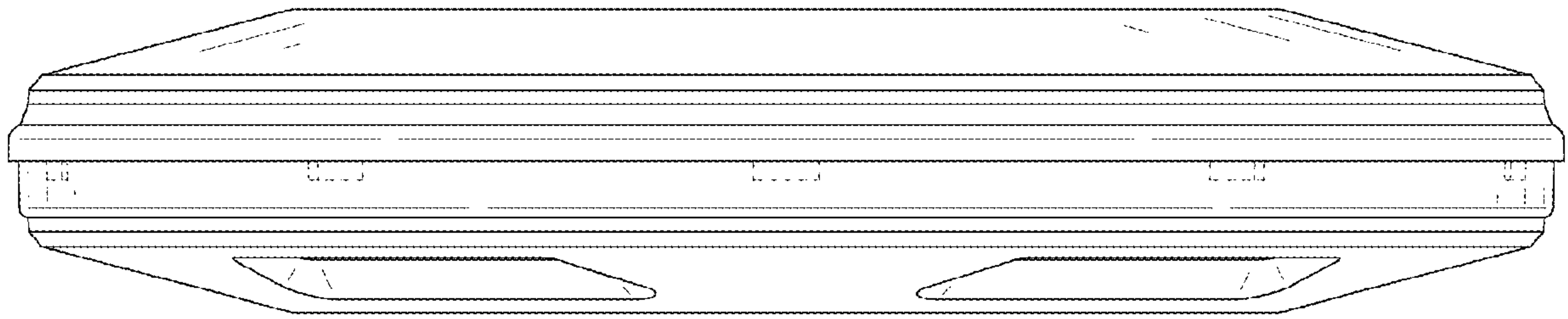


FIG. 8