



US00D932679S

(12) **United States Design Patent** (10) **Patent No.:** **US D932,679 S**  
**Johnson** (45) **Date of Patent:** **\*\* Oct. 5, 2021**

(54) **CIRCULAR LIGHT**

OTHER PUBLICATIONS

(71) Applicant: **London Johnson, Inc.**, Dallas, TX (US)

U.S. Appl. No. 29/573,376, filed Aug. 4, 2016, Brian Johnson.  
U.S. Appl. No. 29/601,462, filed Apr. 21, 2017, Brian Johnson.

(72) Inventor: **Brian P. Johnson**, Dallas, TX (US)

\* cited by examiner

(\*\*) Term: **15 Years**

*Primary Examiner* — Michelle E. Wilson  
(74) *Attorney, Agent, or Firm* — Wolf, Greenfield & Sacks, P.C.

(21) Appl. No.: **29/629,537**

(22) Filed: **Dec. 13, 2017**

(57) **CLAIM**

(51) **LOC (13) Cl.** ..... **26-05**

The ornamental design for a circular light, as shown and described.

(52) **U.S. Cl.**

USPC ..... **D26/89**

**DESCRIPTION**

(58) **Field of Classification Search**

USPC ..... D26/37-51, 72, 76, 80, 85, 89, 90  
CPC ..... F21L 2003/00; F21L 4/00; F21L 4/005;  
F21L 4/02; F21L 4/025; F21L 4/027;  
F21L 4/04; F21L 4/08; F21L 2005/00;  
F21L 7/00; F21L 11/00; F21L 13/00;  
F21L 13/04; F21L 13/08; F21L 14/02;  
F21L 17/00; F21L 19/00; F21L 25/00

See application file for complete search history.

FIG. 1 is a perspective view of a circular light showing a first embodiment of my new design, as viewed from the top and front.

FIG. 2 is a top plan view thereof.

FIG. 3 is a bottom plan view thereof.

FIG. 4 is a front profile view thereof.

FIG. 5 is a back profile view thereof.

FIG. 6 is a first side profile view thereof.

FIG. 7 is an opposite second profile view thereof.

FIG. 8 is a perspective view of a circular light showing a second embodiment of my new design, as viewed from the top and front.

FIG. 9 is a top plan view thereof.

FIG. 10 is a bottom plan view thereof.

FIG. 11 is a front profile view thereof.

FIG. 12 is a back profile view thereof.

FIG. 13 is a first side profile view thereof; and,

FIG. 14 is an opposite second profile view thereof.

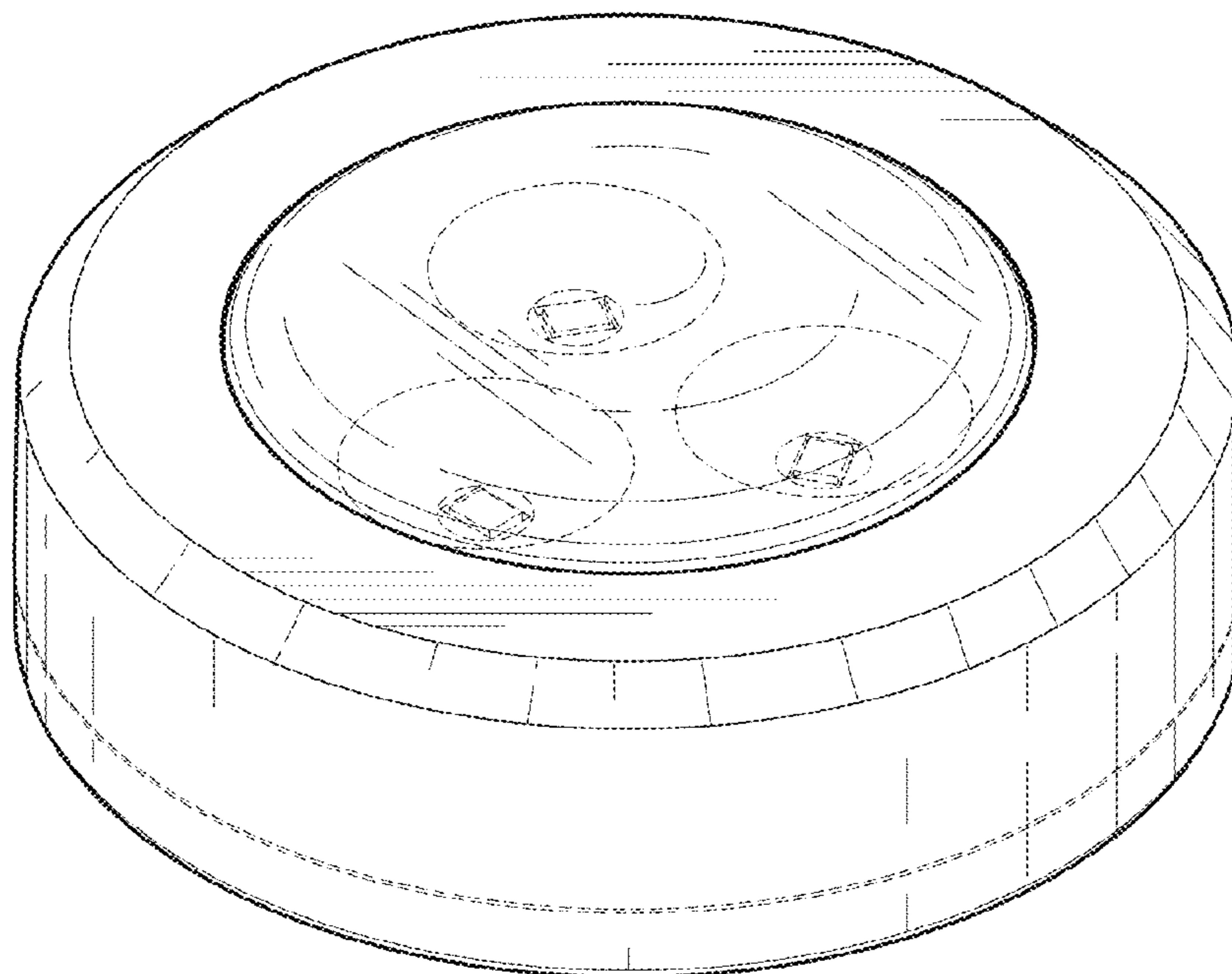
The details shown in broken lines illustrate features that form no part of the claimed design.

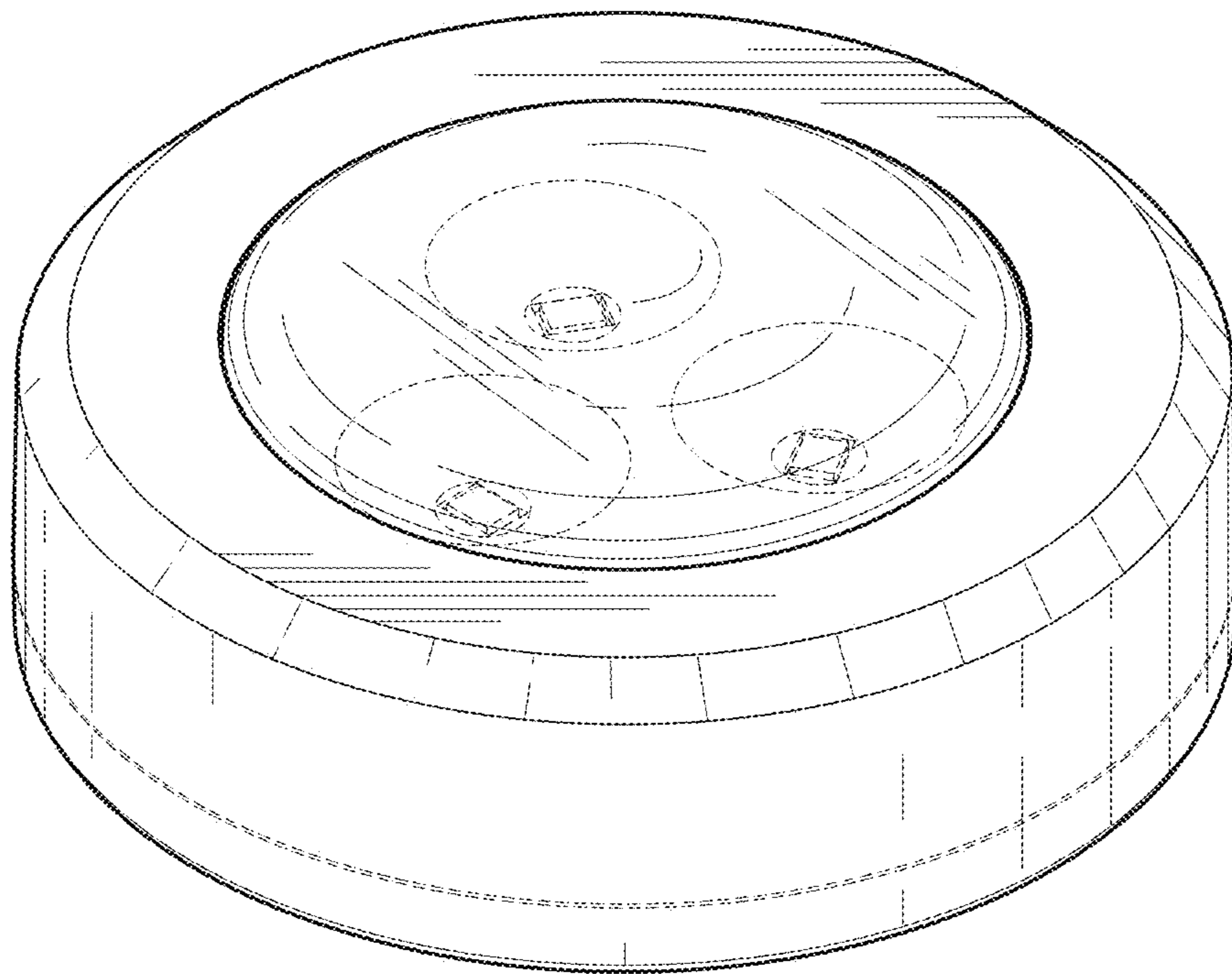
(56) **References Cited**

U.S. PATENT DOCUMENTS

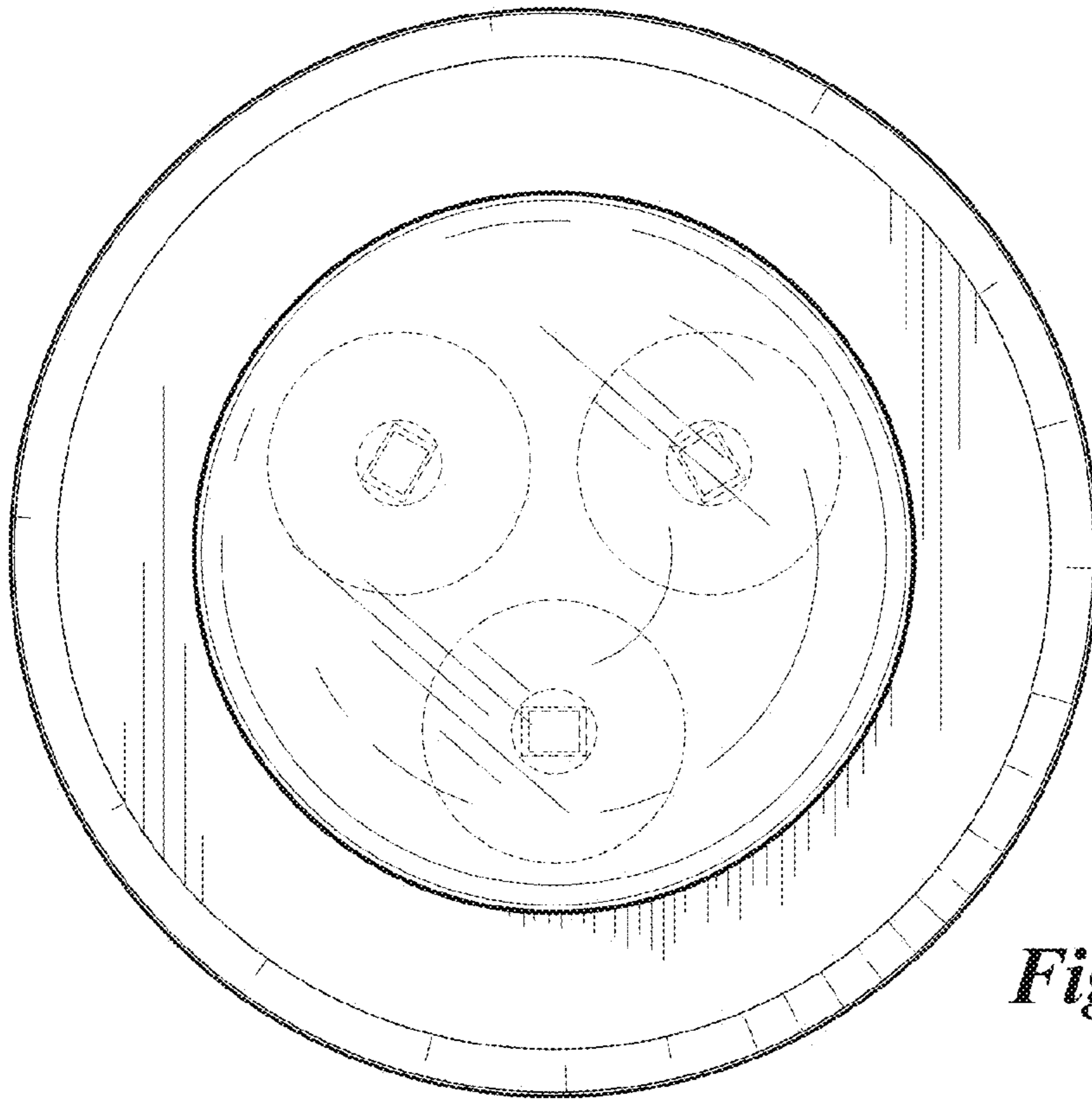
D544,618 S *	6/2007	Coushaine	.....	D26/37
D544,972 S *	6/2007	Coushaine	.....	D26/37
D561,925 S	2/2008	Levine		
D577,836 S *	9/2008	Engebrigtsen	.....	D26/24
D734,518 S *	7/2015	Zimmermann	.....	D26/39
D743,073 S *	11/2015	Schmidt	.....	D26/37
D828,606 S	9/2018	Johnson		
D831,268 S	10/2018	Johnson		
D840,070 S *	2/2019	Cramer	.....	D26/37
D841,222 S	2/2019	Johnson		
D879,341 S *	3/2020	Kassin	.....	D26/37

**1 Claim, 6 Drawing Sheets**

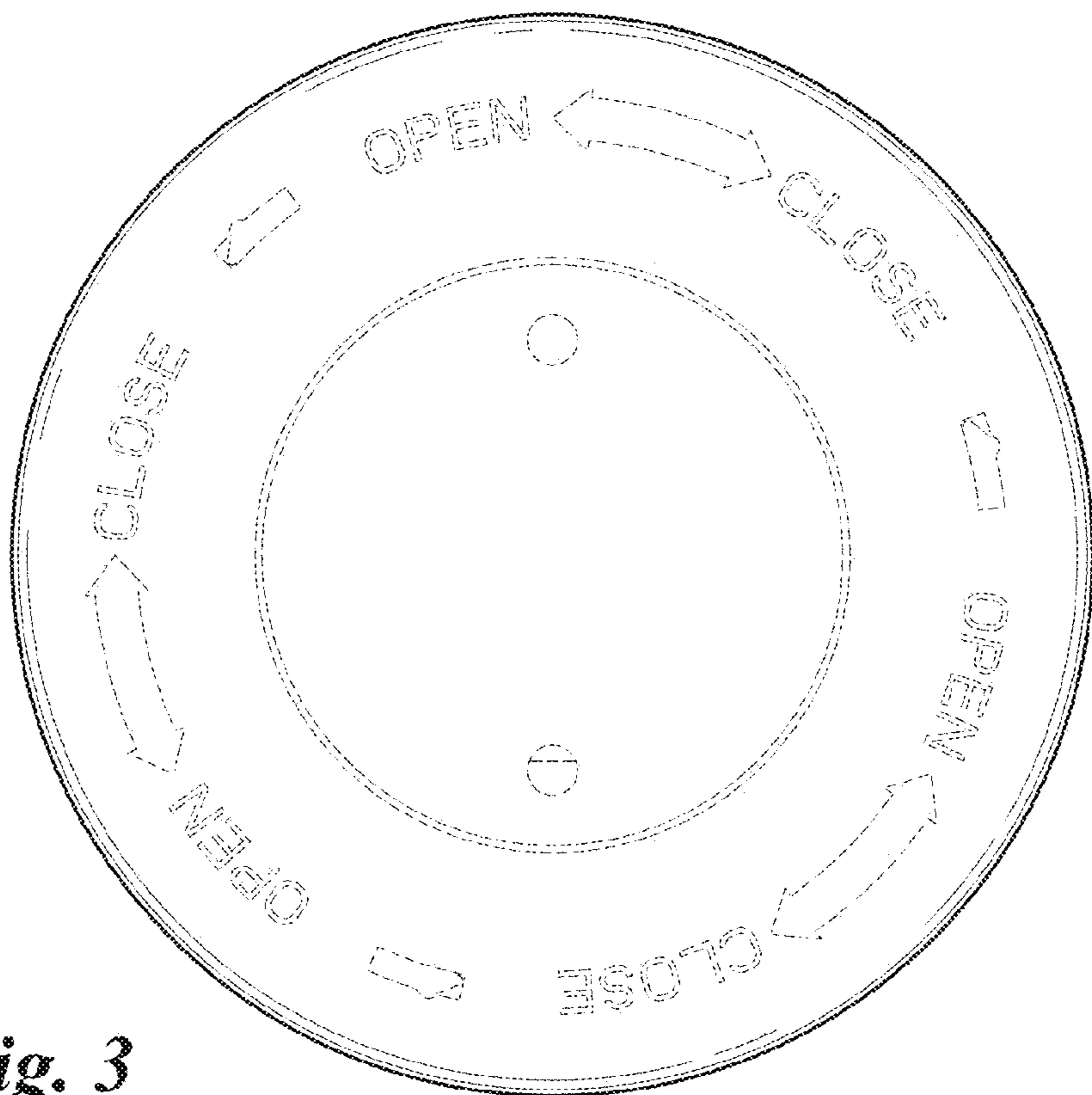




*Fig. 1*

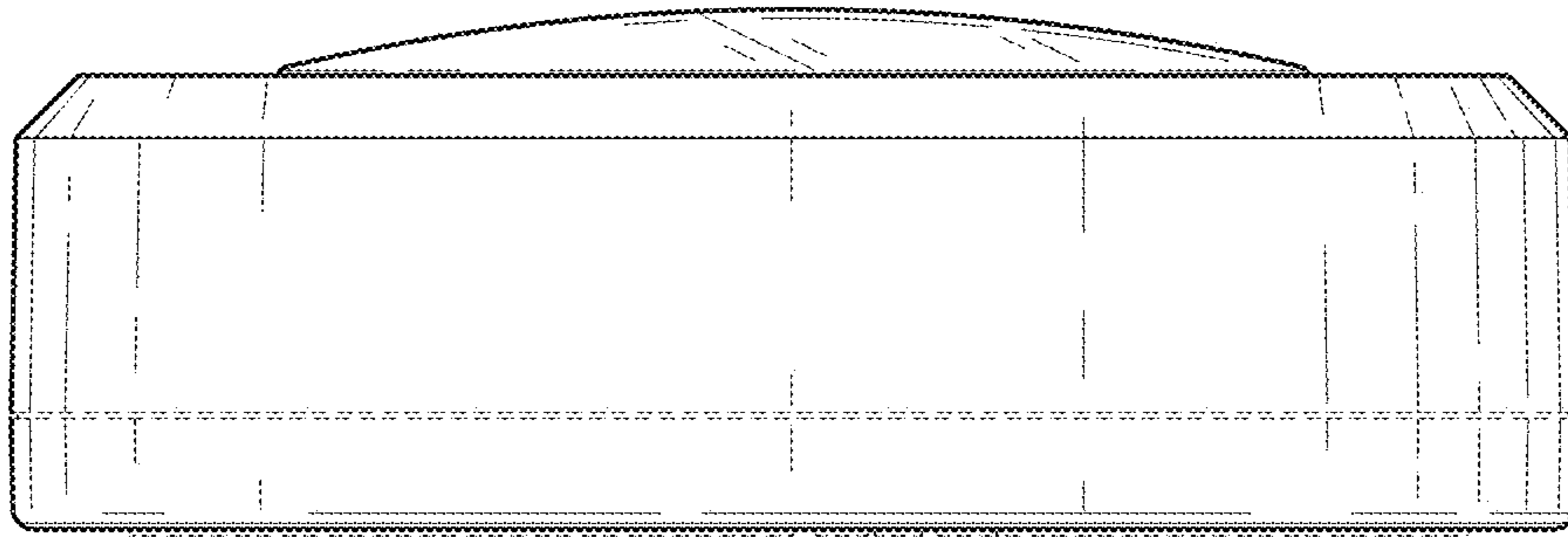


*Fig. 2*

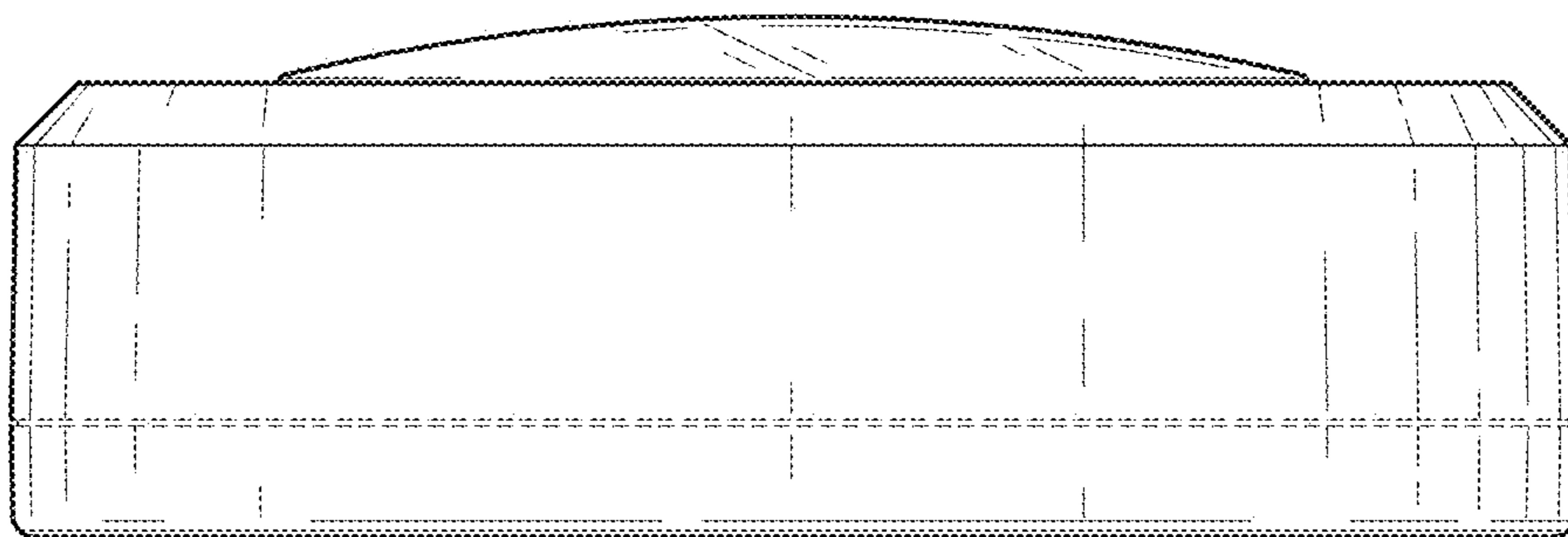


*Fig. 3*

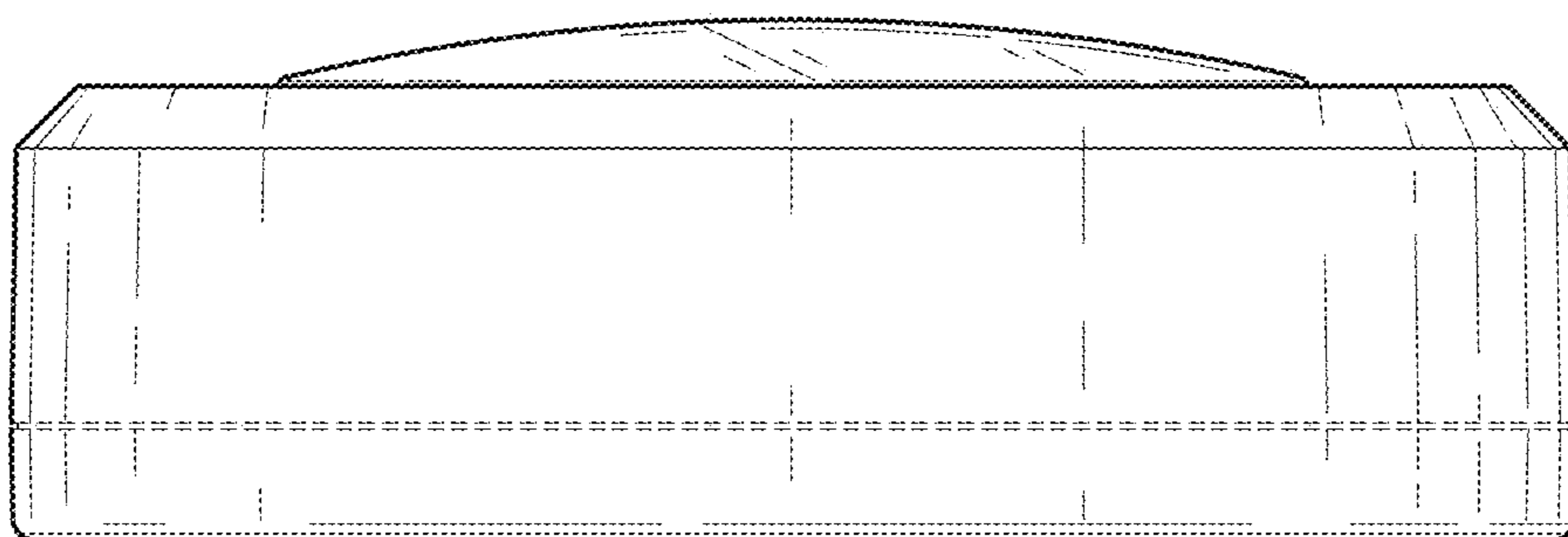




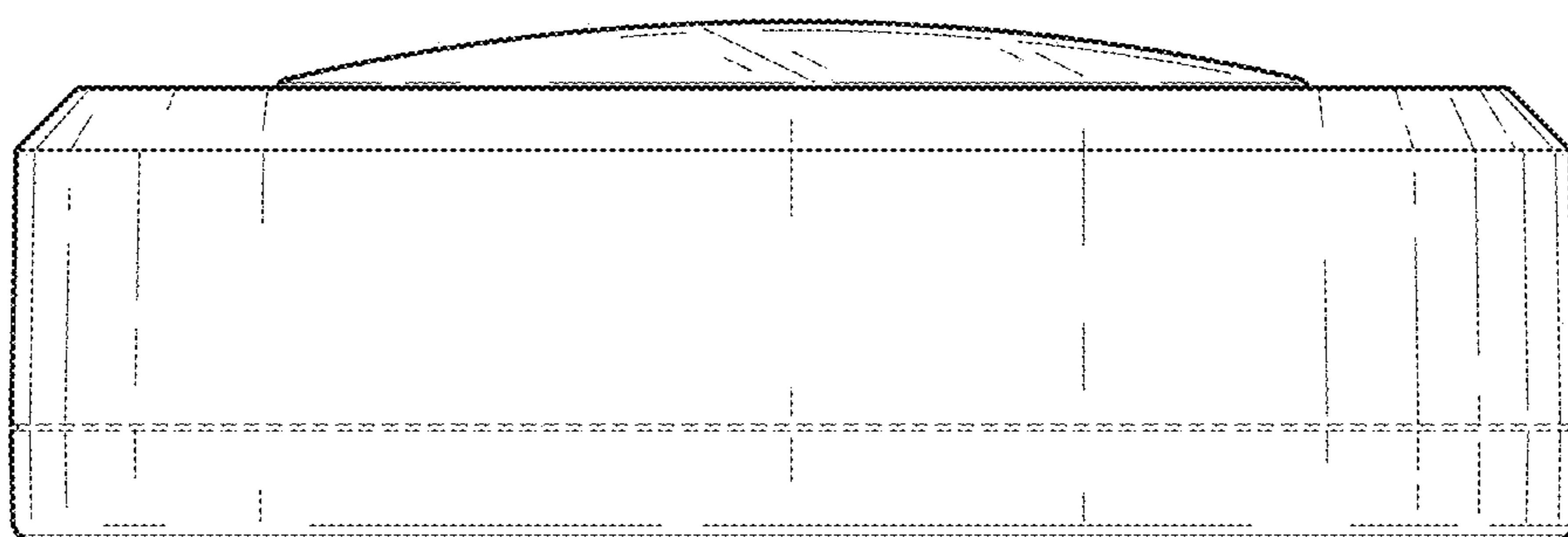
*Fig. 4*



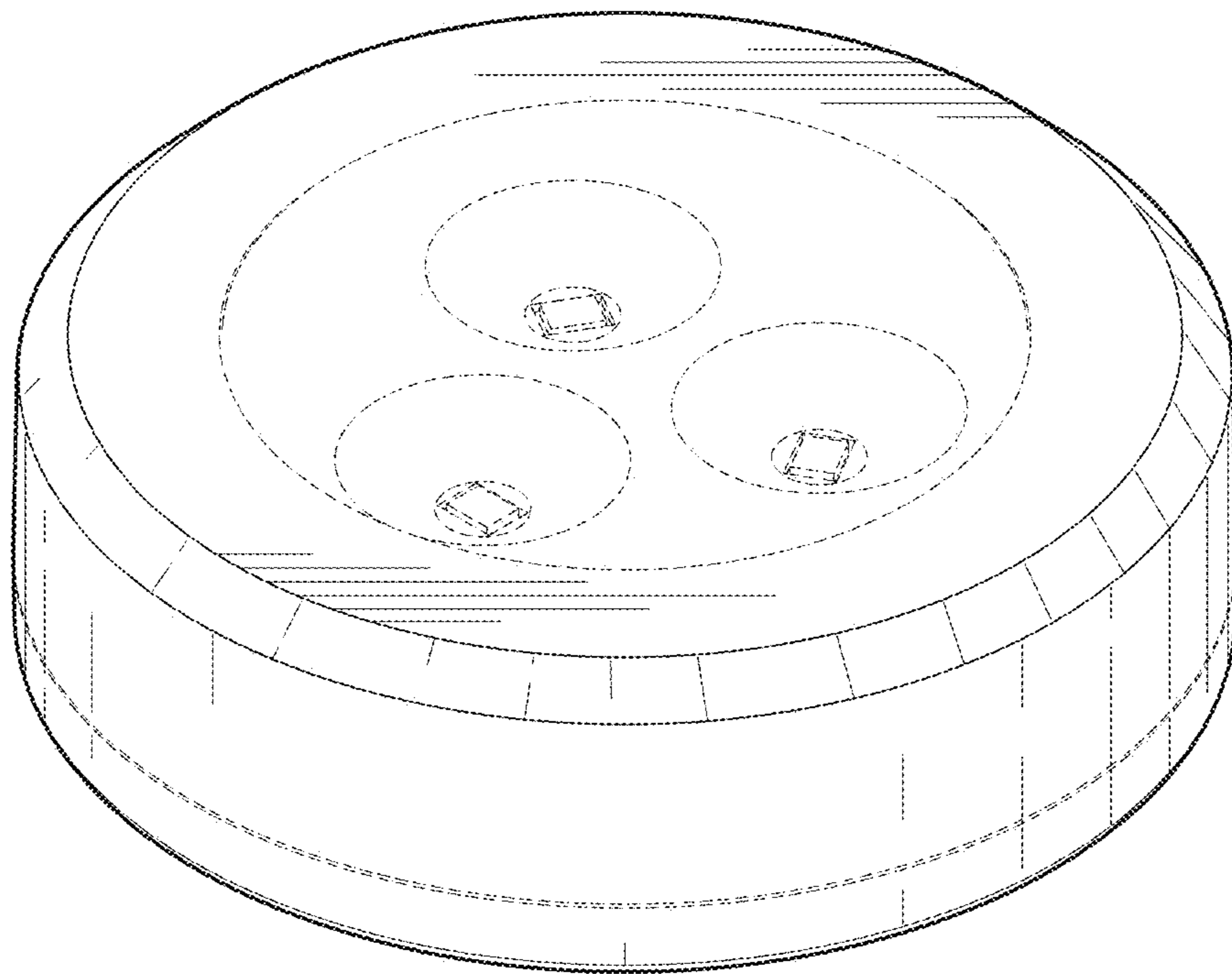
*Fig. 5*



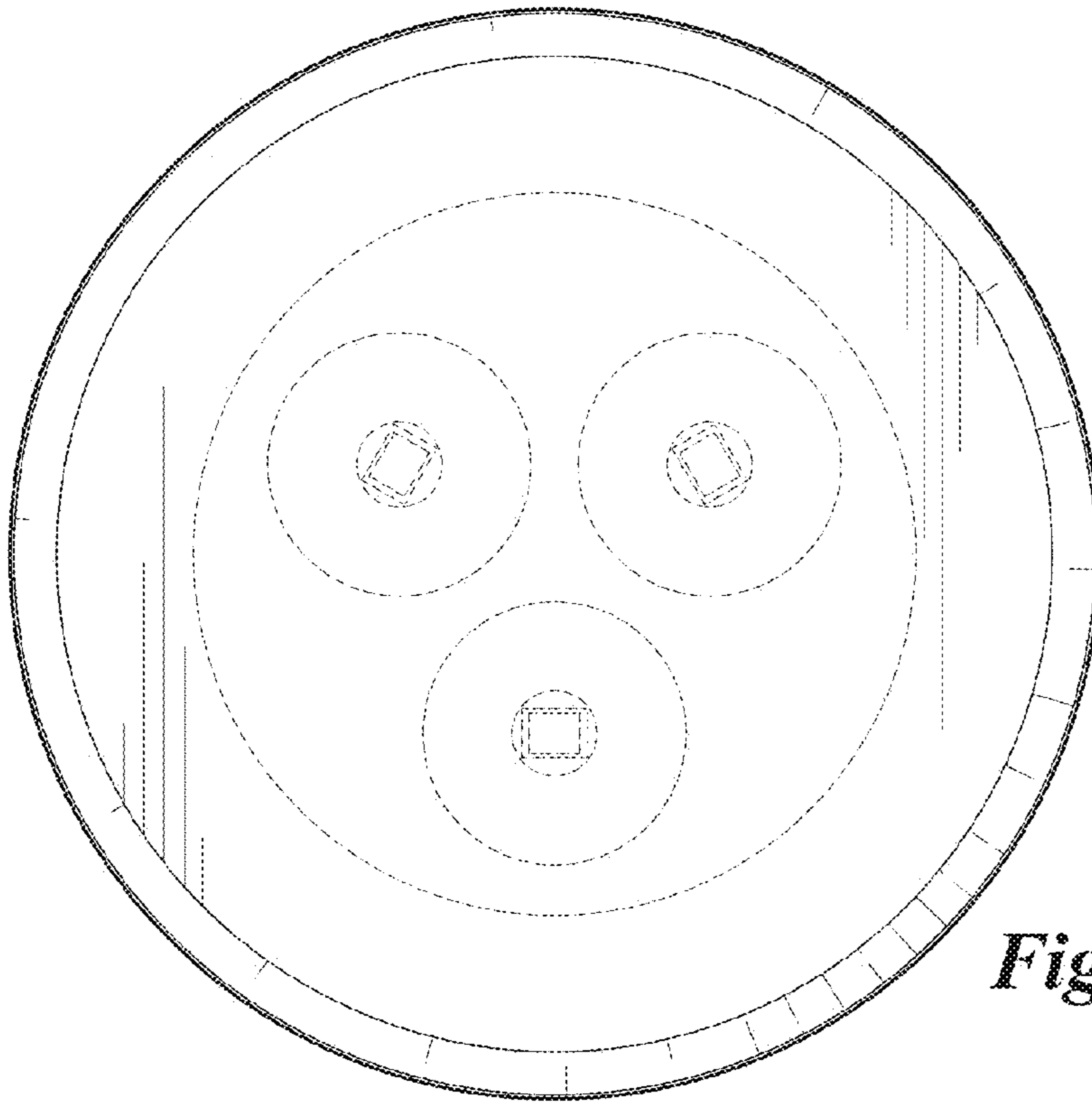
*Fig. 6*



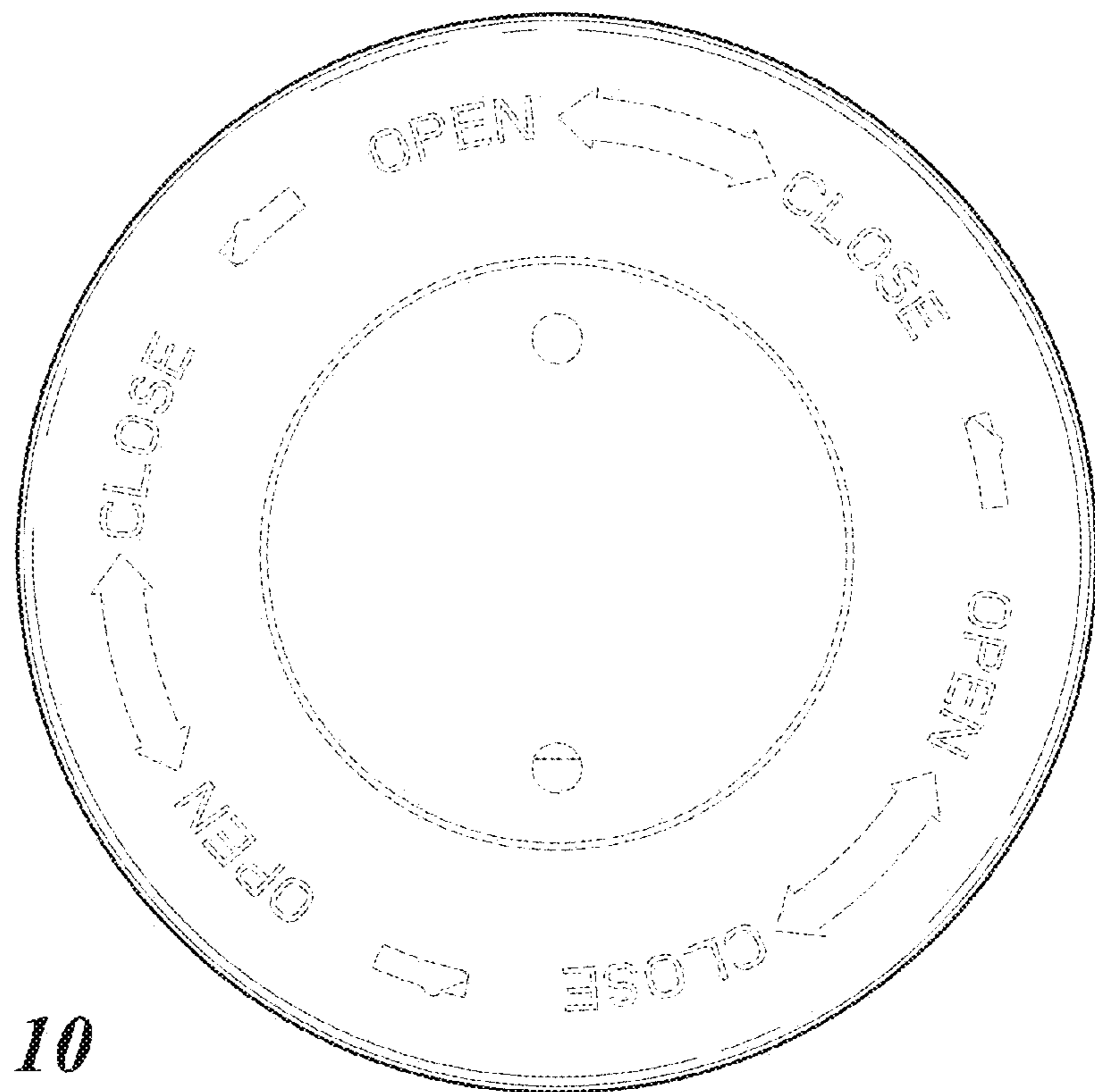
*Fig. 7*



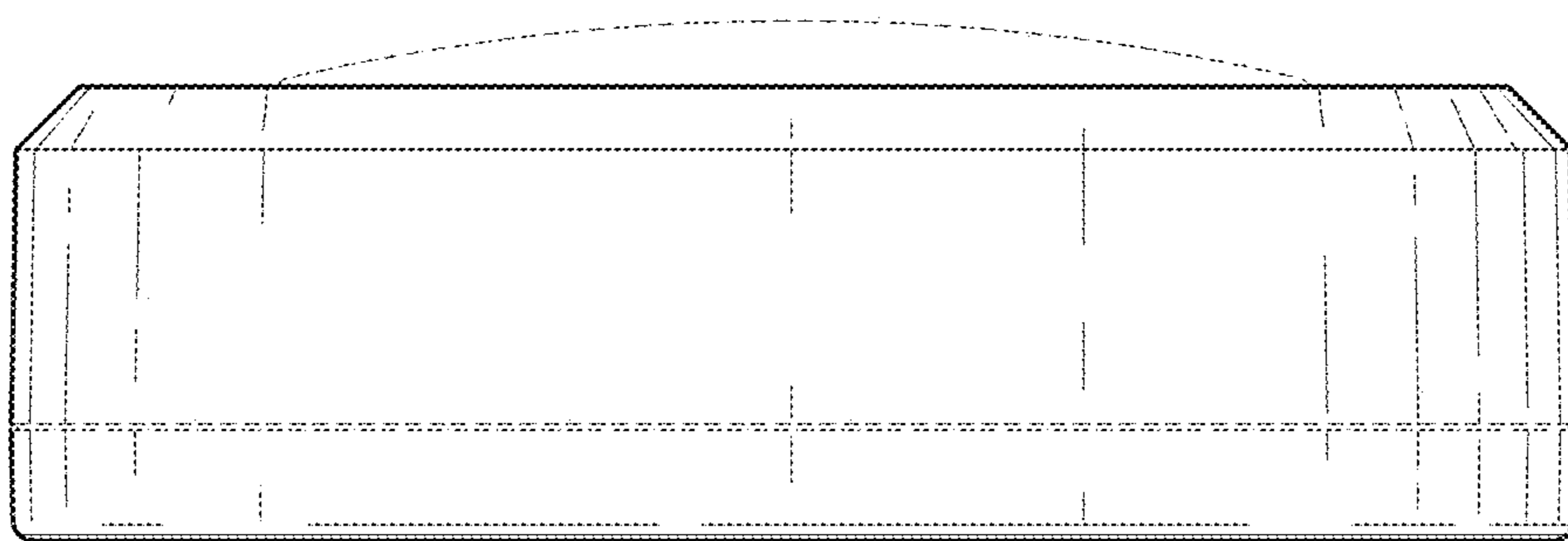
*Fig. 8*



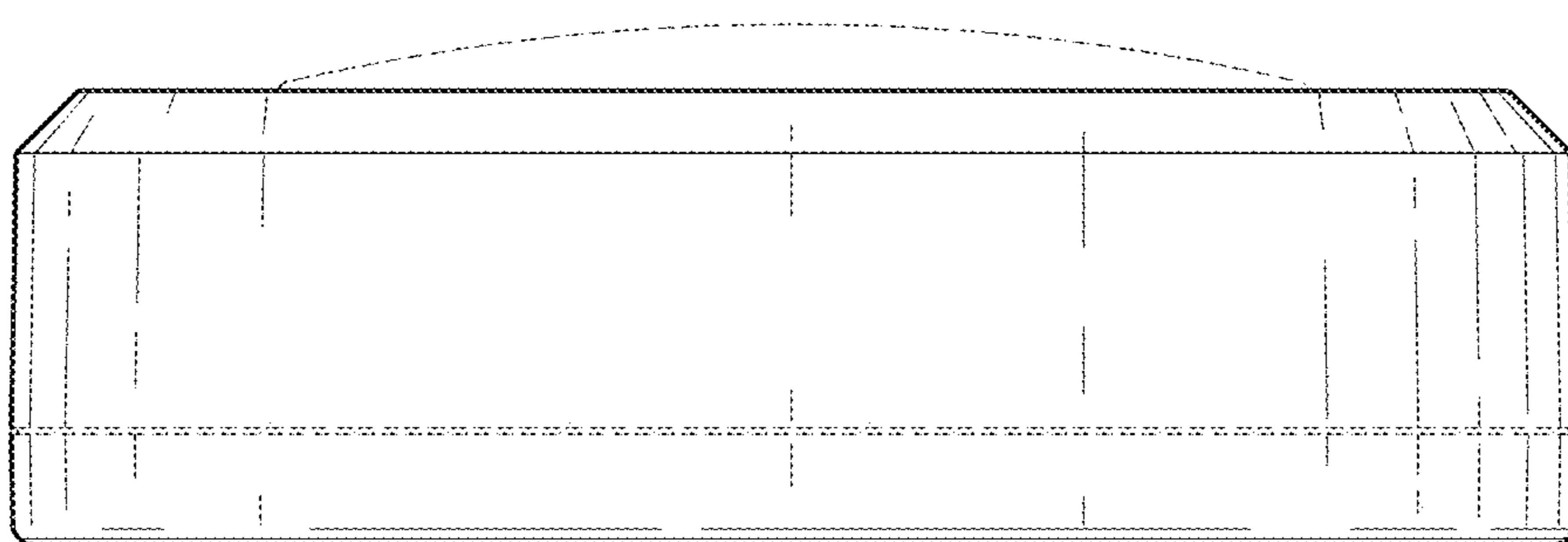
*Fig. 9*



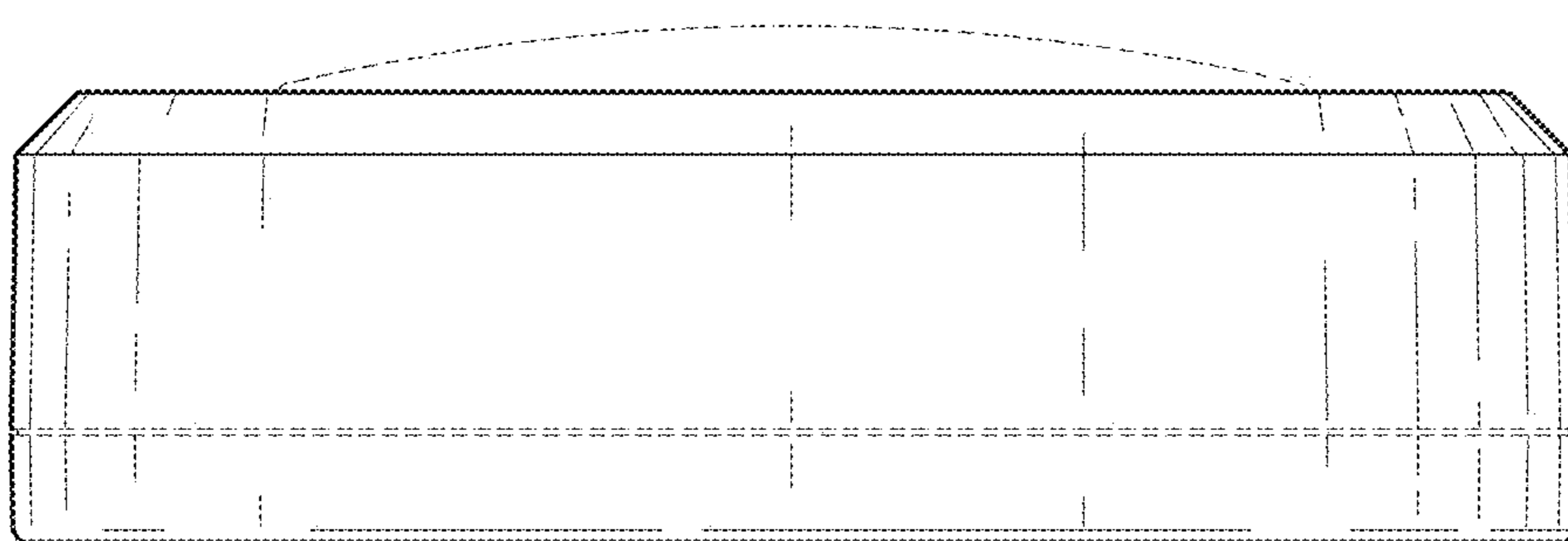
*Fig. 10*



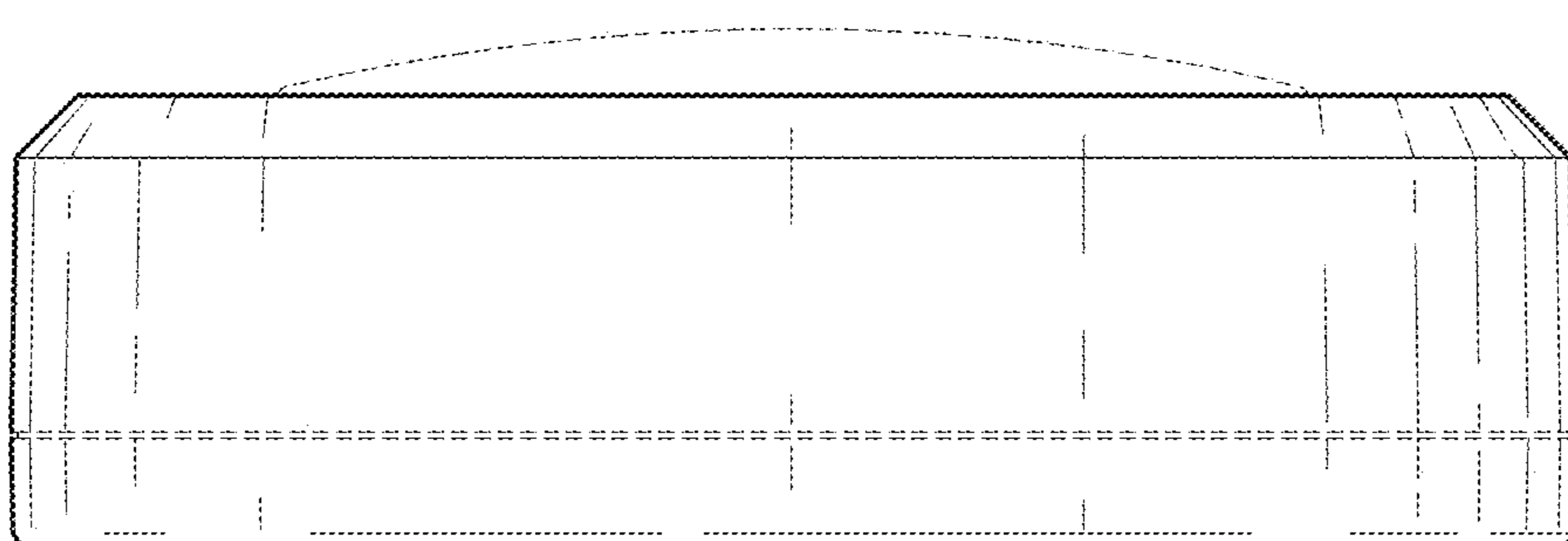
*Fig. 11*



*Fig. 12*



*Fig. 13*



*Fig. 14*