



US00D932678S

(12) **United States Design Patent**
Dulley et al.

(10) **Patent No.:** **US D932,678 S**
(45) **Date of Patent:** **** Oct. 5, 2021**

(54) **LIGHT FIXTURE**

- (71) Applicant: **Buster and Punch Limited**, Stamford (GB)
- (72) Inventors: **Iain Dulley**, Winchester (GB); **Massimo Minale**, London (GB)
- (73) Assignee: **Buster and Punch Limited**, Stamford (GB)
- (**) Term: **15 Years**
- (21) Appl. No.: **29/734,506**
- (22) Filed: **May 13, 2020**

Related U.S. Application Data

- (62) Division of application No. 29/617,213, filed on Sep. 12, 2017, now Pat. No. Des. 887,067.

(30) **Foreign Application Priority Data**

- Mar. 13, 2017 (EM) 003797158-0001
 - Mar. 13, 2017 (EM) 003797158-0002
- (Continued)

- (51) **LOC (13) Cl.** **26-03**
 - (52) **U.S. Cl.**
USPC **D26/87; D26/85**
 - (58) **Field of Classification Search**
USPC **D26/63, 72, 85, 87, 92**
- (Continued)

(56) **References Cited**

U.S. PATENT DOCUMENTS

- D85,931 S * 1/1932 Graff D26/87
 - D206,454 S 12/1966 Rosen
- (Continued)

OTHER PUBLICATIONS

Quoizel Westover 20" High Earth Black Outdoor Wall Light, available from lampsplus.com as early as Dec. 7, 2020. (Year: 2020).*

(Continued)

Primary Examiner — Clare E Heflin

(74) *Attorney, Agent, or Firm* — Dascenzo Gates Intellectual Property Law, P.C.

(57) **CLAIM**

The ornamental design for a light fixture, as shown and described.

DESCRIPTION

FIG. 1 is an isometric view of a light fixture showing a first embodiment of the design according to the present disclosure;

FIG. 2 is a front view of the design of FIG. 1, with the back view not forming part of the claimed design.

FIG. 3 is a side view of the design of FIG. 1, with the opposing side view being the mirror image thereof.

FIG. 4 is a top view of the design of FIG. 1.

FIG. 5 is a bottom view of the design of FIG. 1.

FIG. 6 is an isometric view of a light fixture showing a second embodiment of the design according to the present disclosure;

FIG. 7 is a front view of the design of FIG. 6, with the back view not forming part of the claimed design.

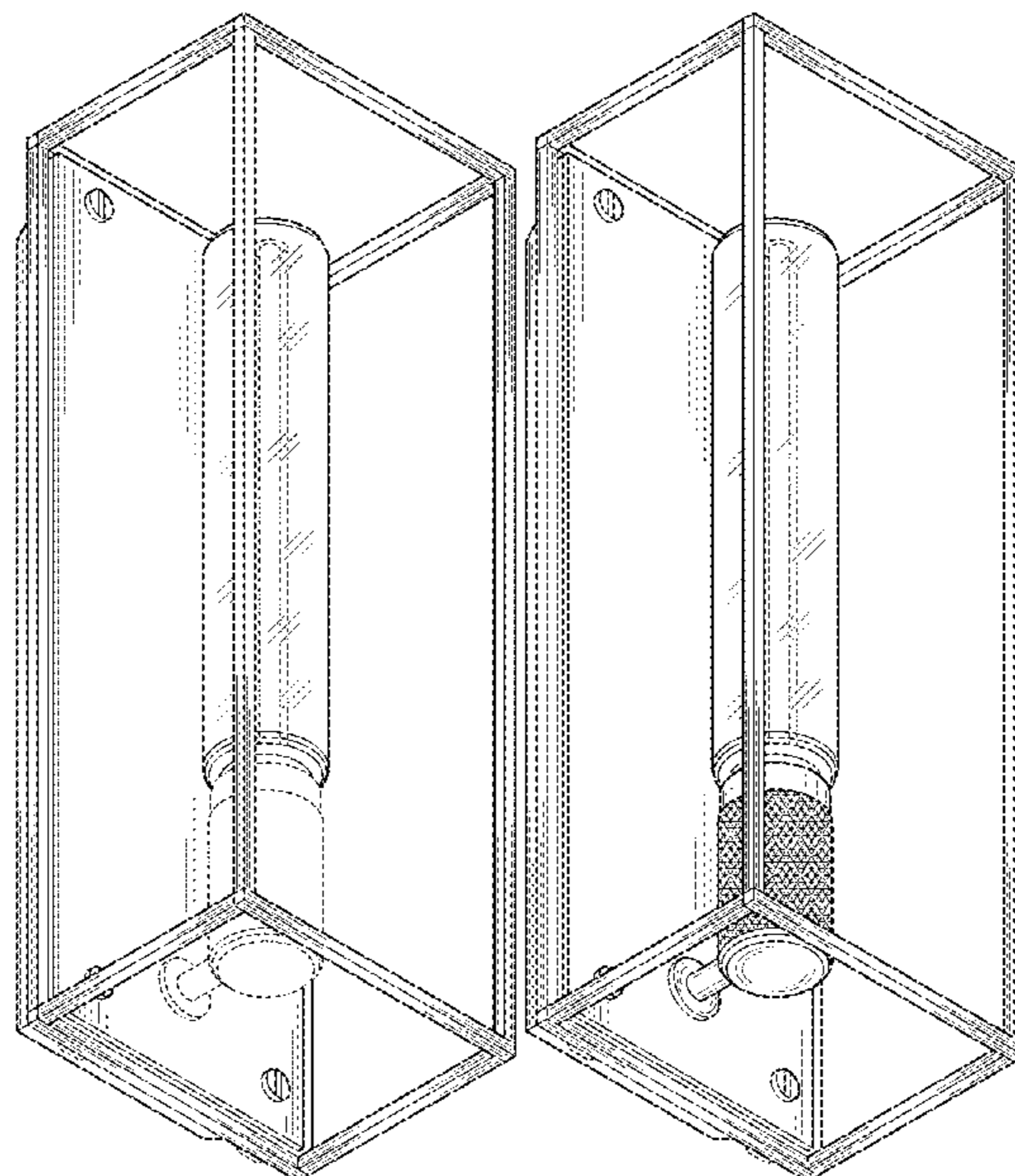
FIG. 8 is a side view of the design of FIG. 6, with the opposing side view being the mirror image thereof.

FIG. 9 is a top view of the design of FIG. 6; and,

FIG. 10 is a bottom view of the design of FIG. 6.

The shading lines shown in the drawings represent the three-dimensional contour of the claimed design and are not intended to indicate surface decoration. The broken lines shown in the drawings illustrate portions of the light fixture that form no part of the claimed design.

1 Claim, 8 Drawing Sheets



(30) **Foreign Application Priority Data**

Mar. 13, 2017 (EM) 003797158-0003
 Mar. 13, 2017 (EM) 003797158-0004
 Mar. 13, 2017 (EM) 003797158-0005
 Mar. 13, 2017 (EM) 003797158-0006
 Mar. 13, 2017 (EM) 003797158-0007
 Mar. 13, 2017 (EM) 003797158-0008

D837,436 S 1/2019 Orozco
 D838,401 S 1/2019 Joyeux
 D851,318 S * 6/2019 Amato D26/87
 D851,319 S * 6/2019 Amato D26/87
 D887,067 S * 6/2020 Dulley D26/87
 10,670,203 B1 * 6/2020 Glazer F21S 8/036
 D892,383 S * 8/2020 McDennon D26/87
 2009/0262535 A1 * 10/2009 Maillet-Jegou F21S 8/033
 362/253
 2019/0203890 A1 * 7/2019 Moore F21S 8/033

(58) **Field of Classification Search**

CPC F21S 8/03; F21S 8/033; F21S 8/035; F21S
 8/036

See application file for complete search history.

OTHER PUBLICATIONS

Hinkley Max 18½" High Black Outdoor Wall Light Style # 84A81, available from lampsplus.com, visited Jun. 9, 2021. (Year: 2021).*

Z-Lite 584B-BK Dunbroch 1-Light 24 inch Black Outdoor Wall Sconce, available from zlitelightinglights.com as early as Jun. 9, 2020. (Year: 2020).*

Astro Homefield Outdoor Pendant Ceiling Light, Product code: 70270104 from johnlewis.com visited Jul. 17, 2019. (Year: 2019). Homefield Lantern with Motion Sensor by Astro Lighting. Date first available at amazon.com.uk Jun. 4, 2014. (Year: 2014).

Messina # 130 7861 from Astro Lighting. Date first available at amazon.com.uk Oct. 29, 2017. (Year: 2017).

(56) **References Cited**

U.S. PATENT DOCUMENTS

D244,310 S 5/1977 Dunning
 D271,528 S 11/1983 Muller
 D439,361 S 3/2001 Berry
 D442,317 S * 5/2001 Crosby D26/87
 D483,143 S 12/2003 Orozco
 D646,833 S 10/2011 Chen
 D713,089 S 9/2014 Orozco
 D815,334 S 4/2018 Hu

* cited by examiner

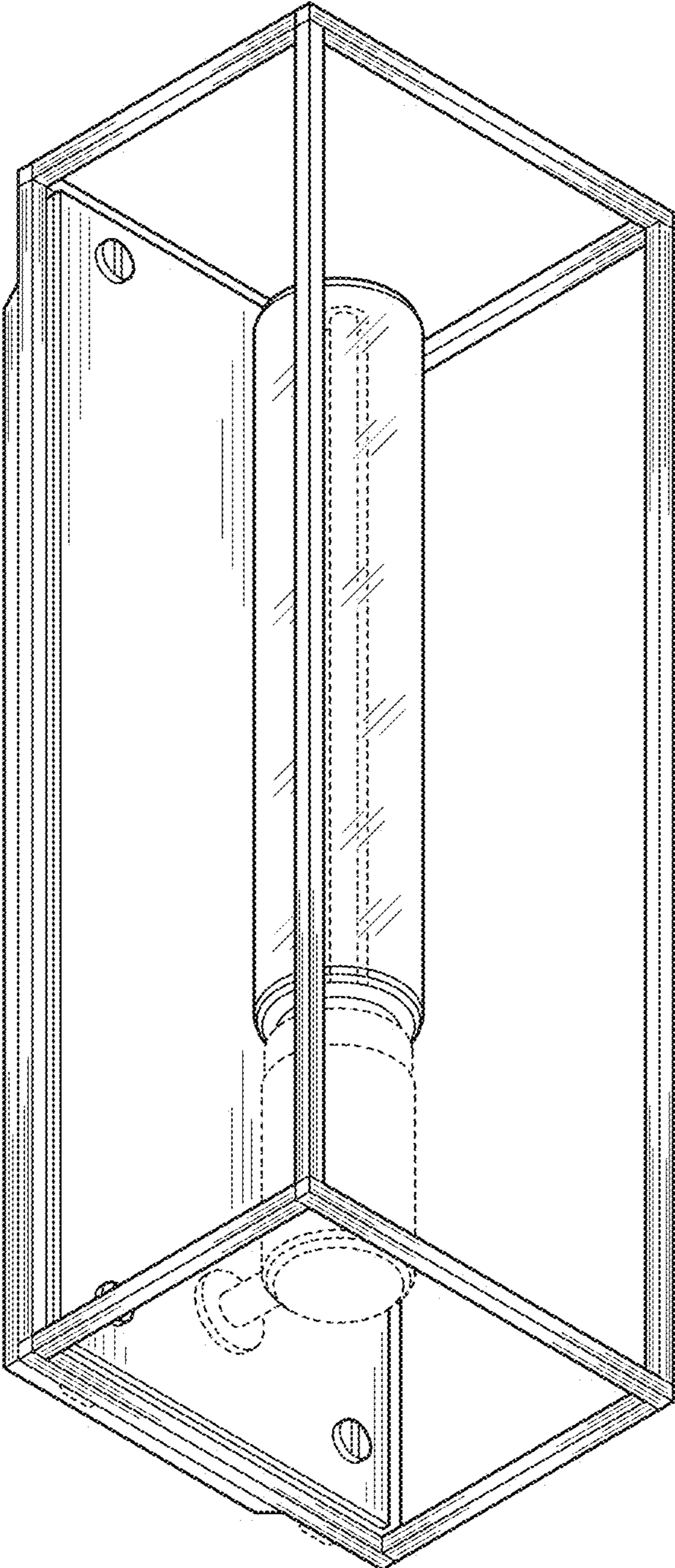


FIG. 1

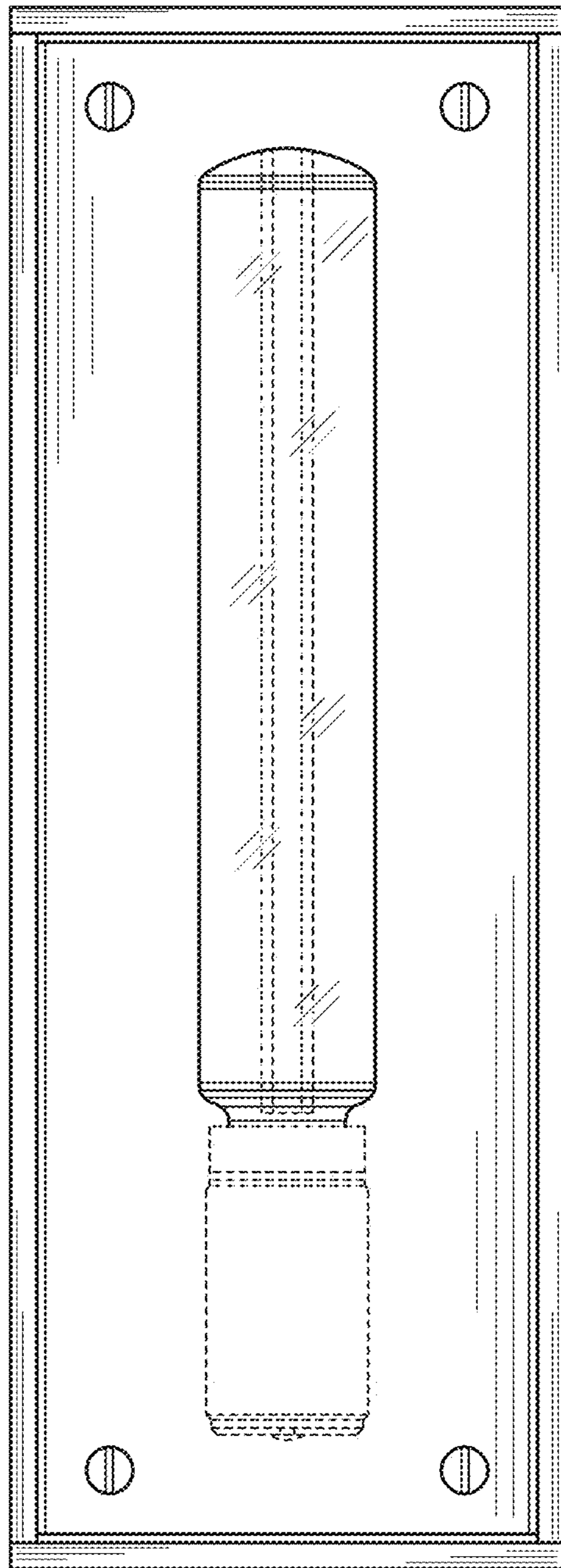


FIG. 2

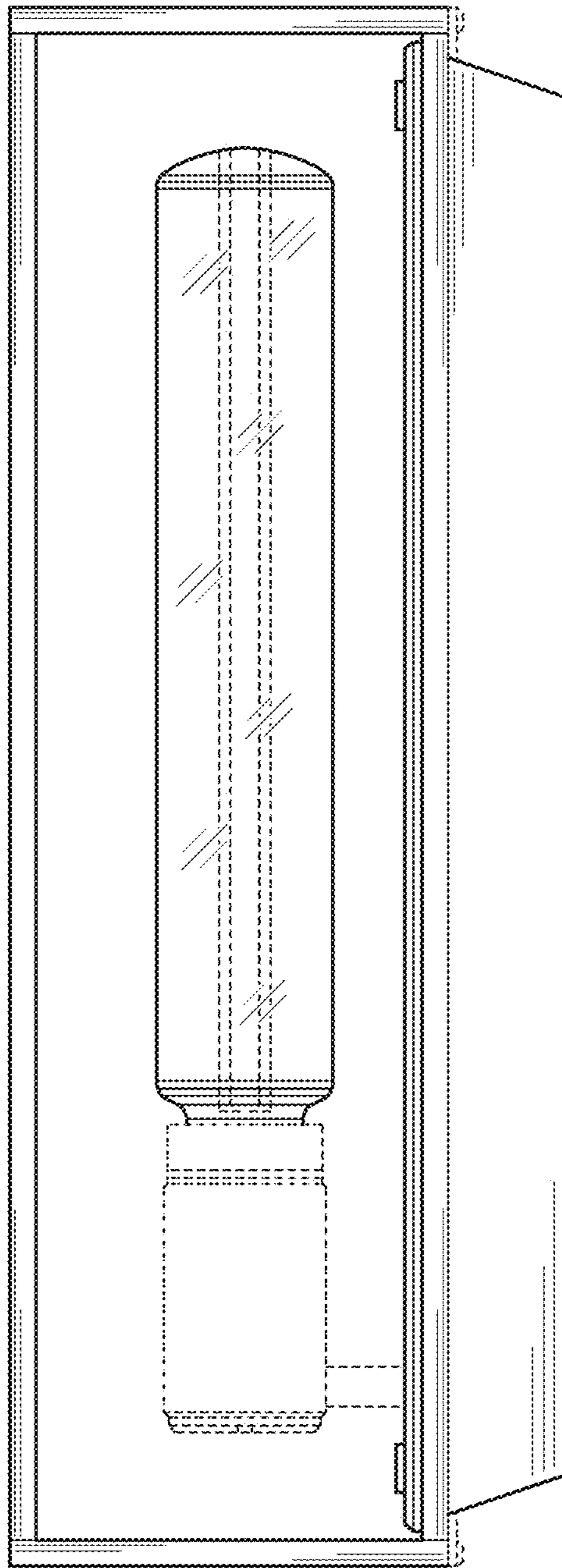


FIG. 3

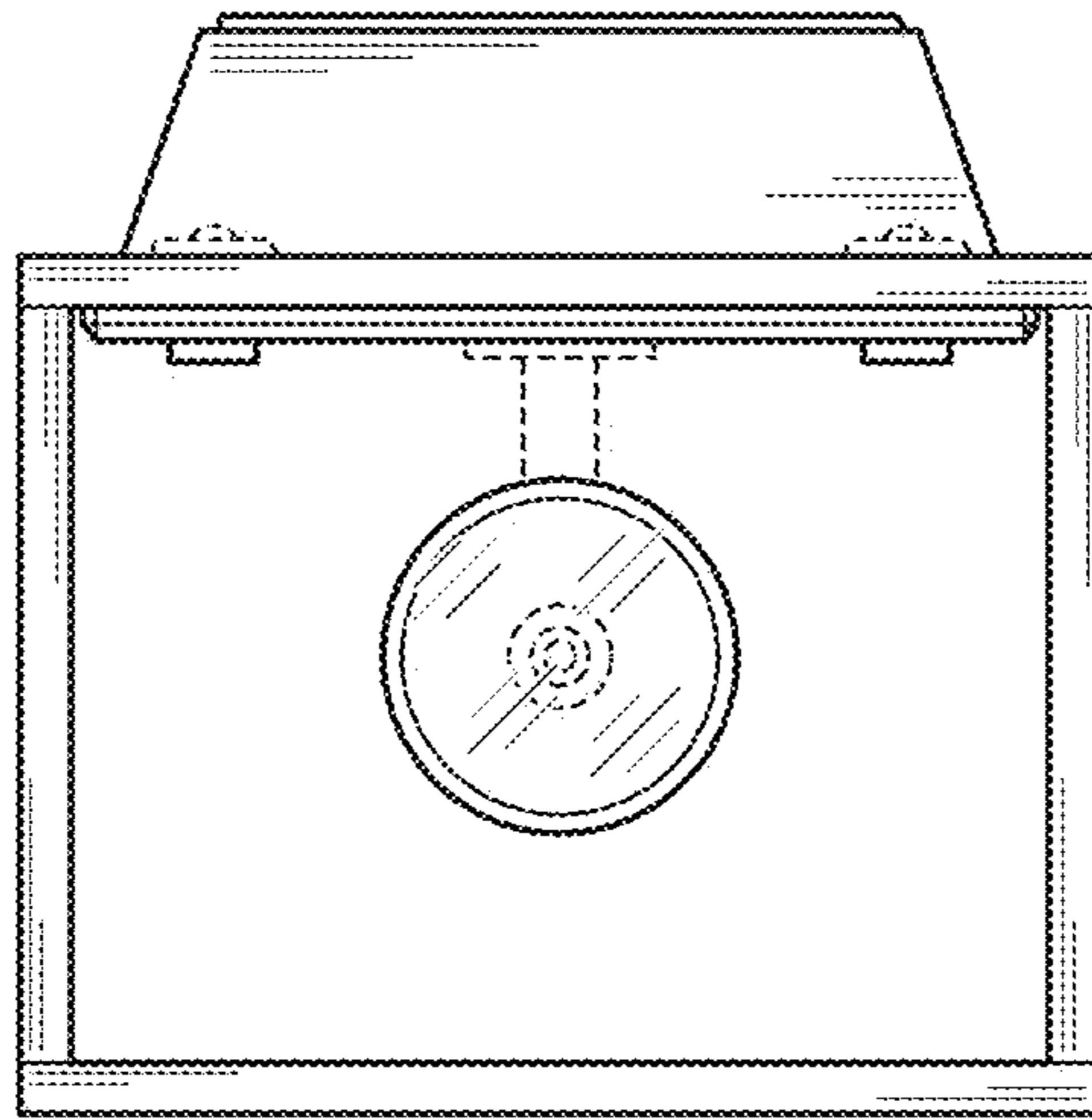


FIG. 4

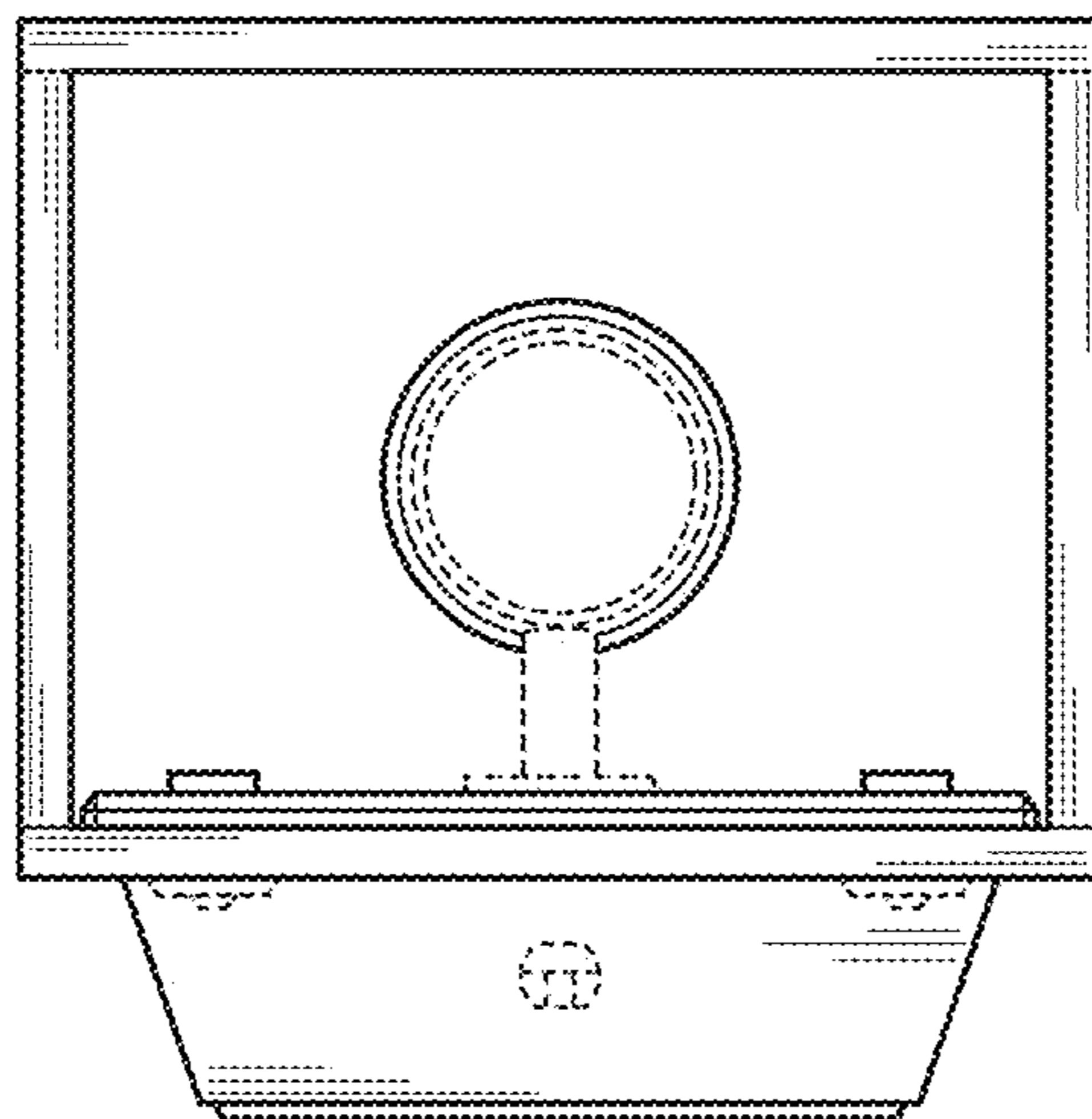


FIG. 5

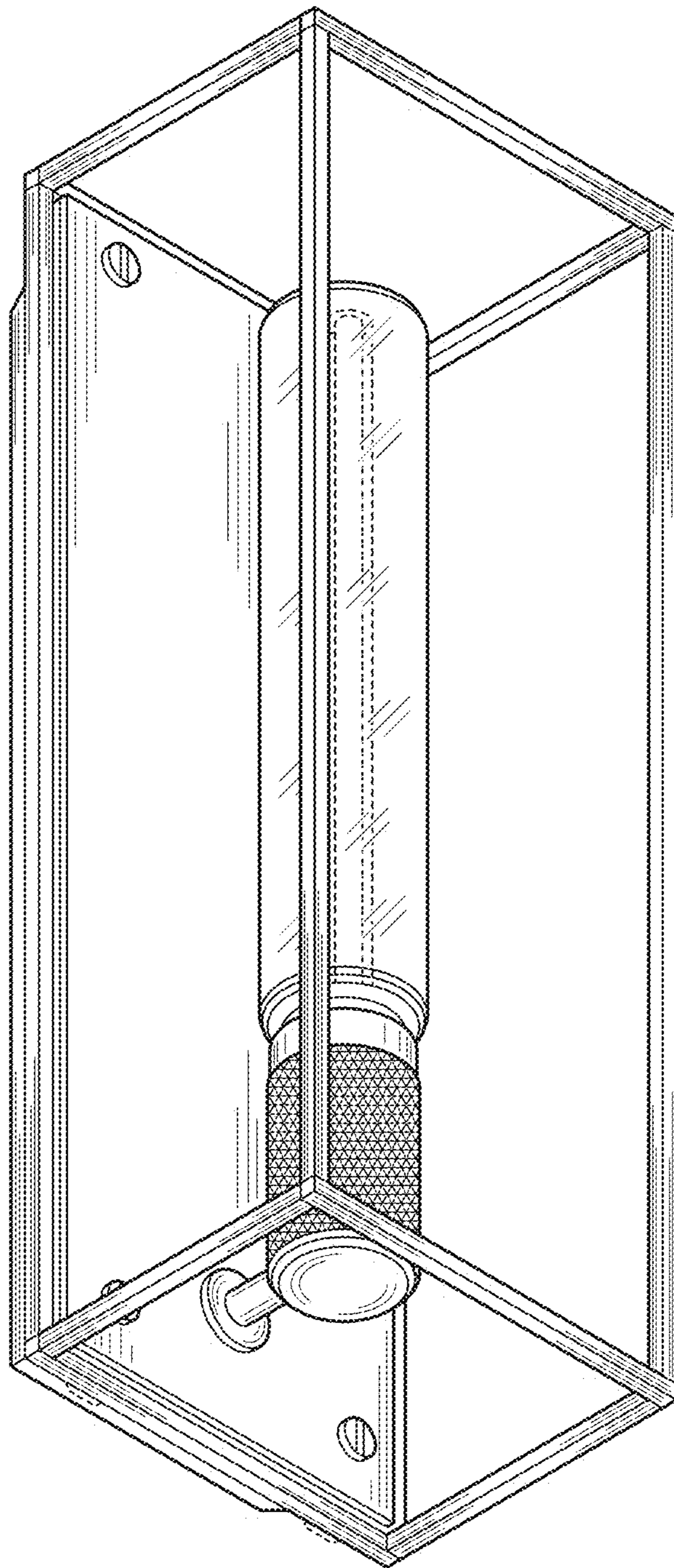


FIG. 6

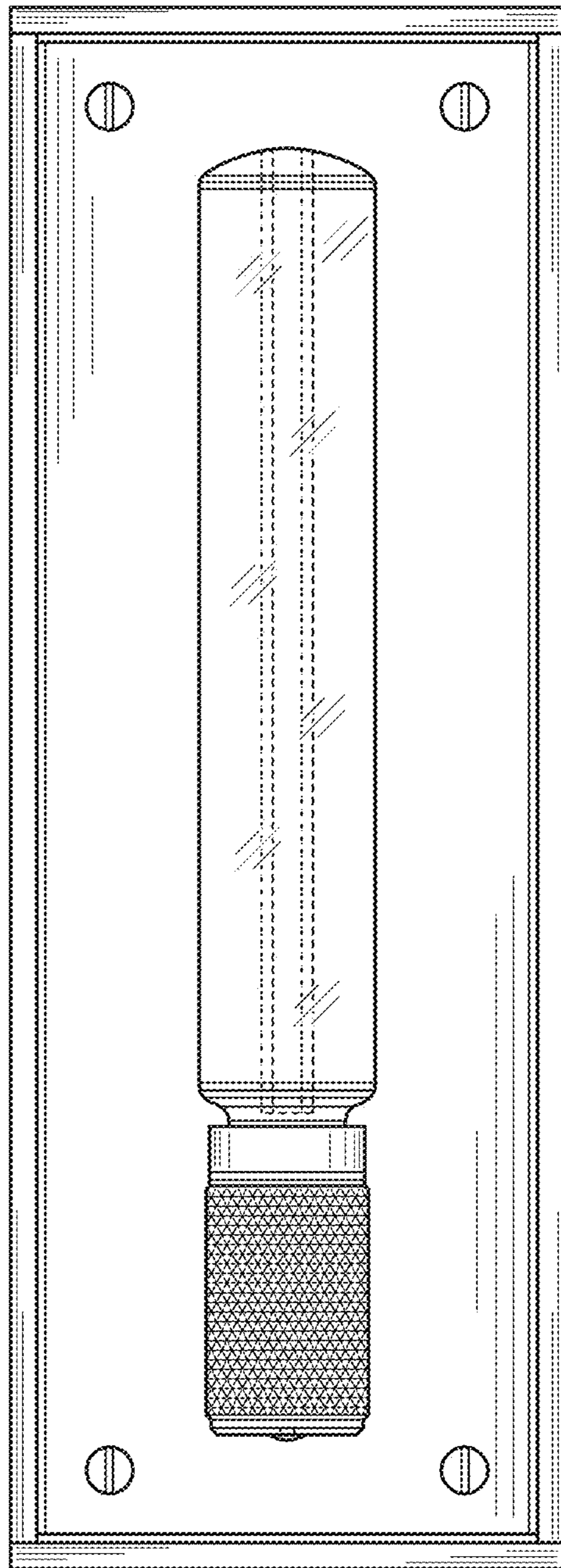


FIG. 7

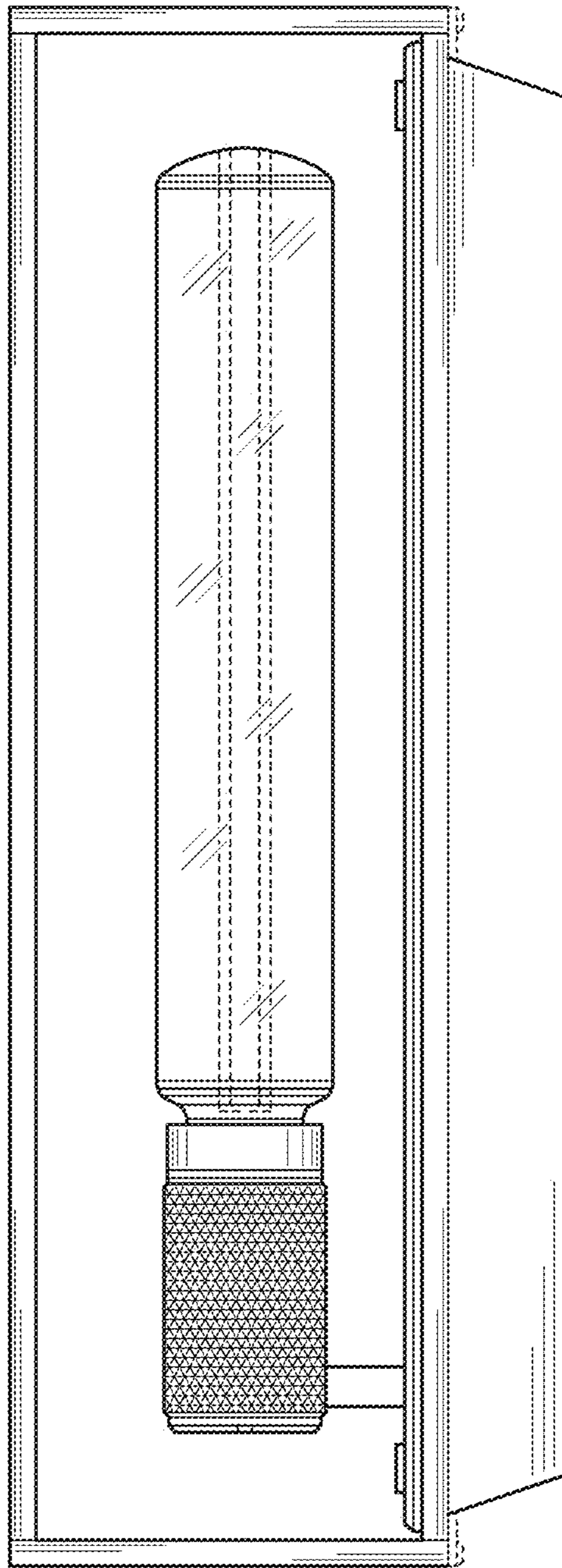


FIG. 8

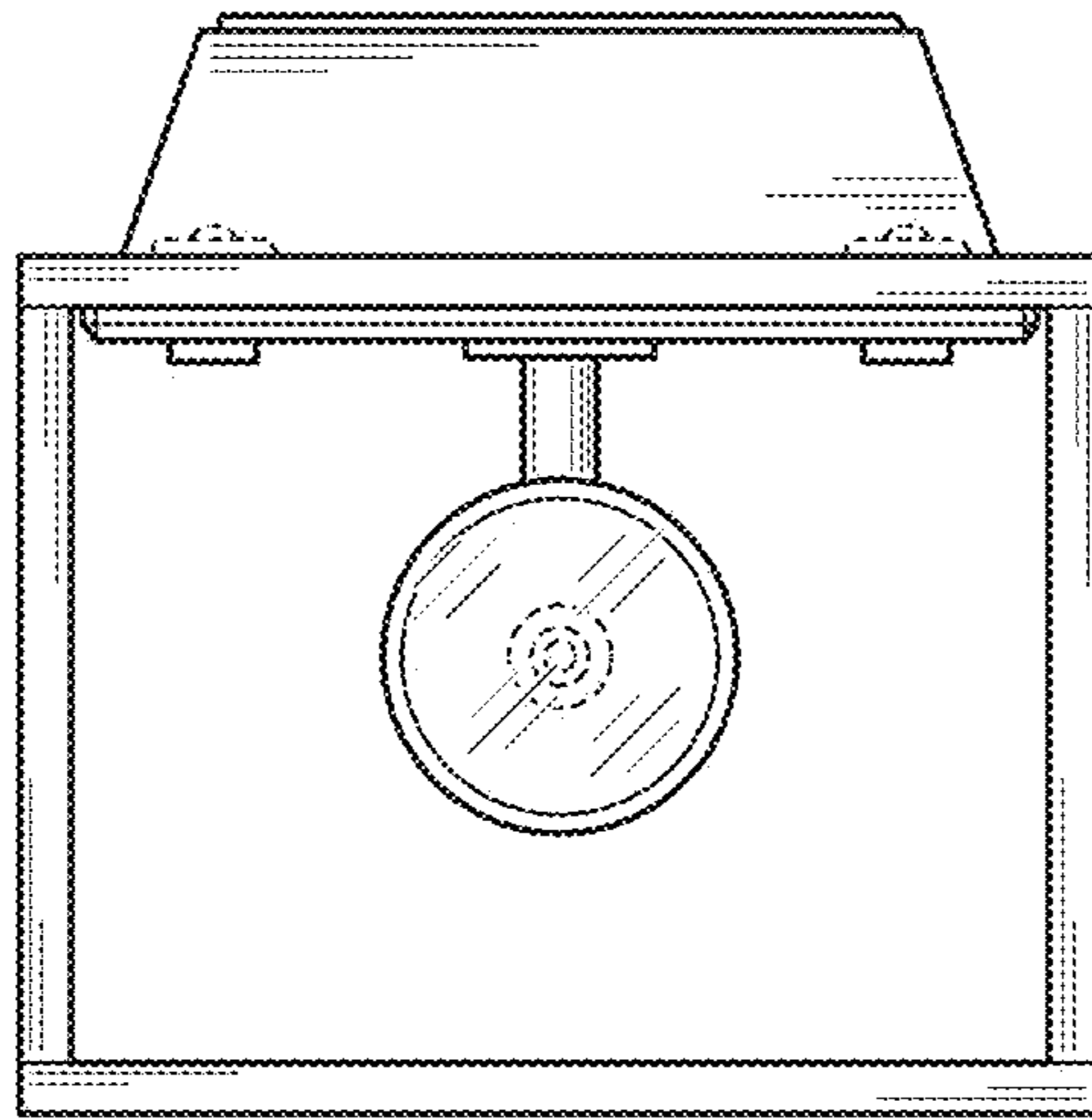


FIG. 9

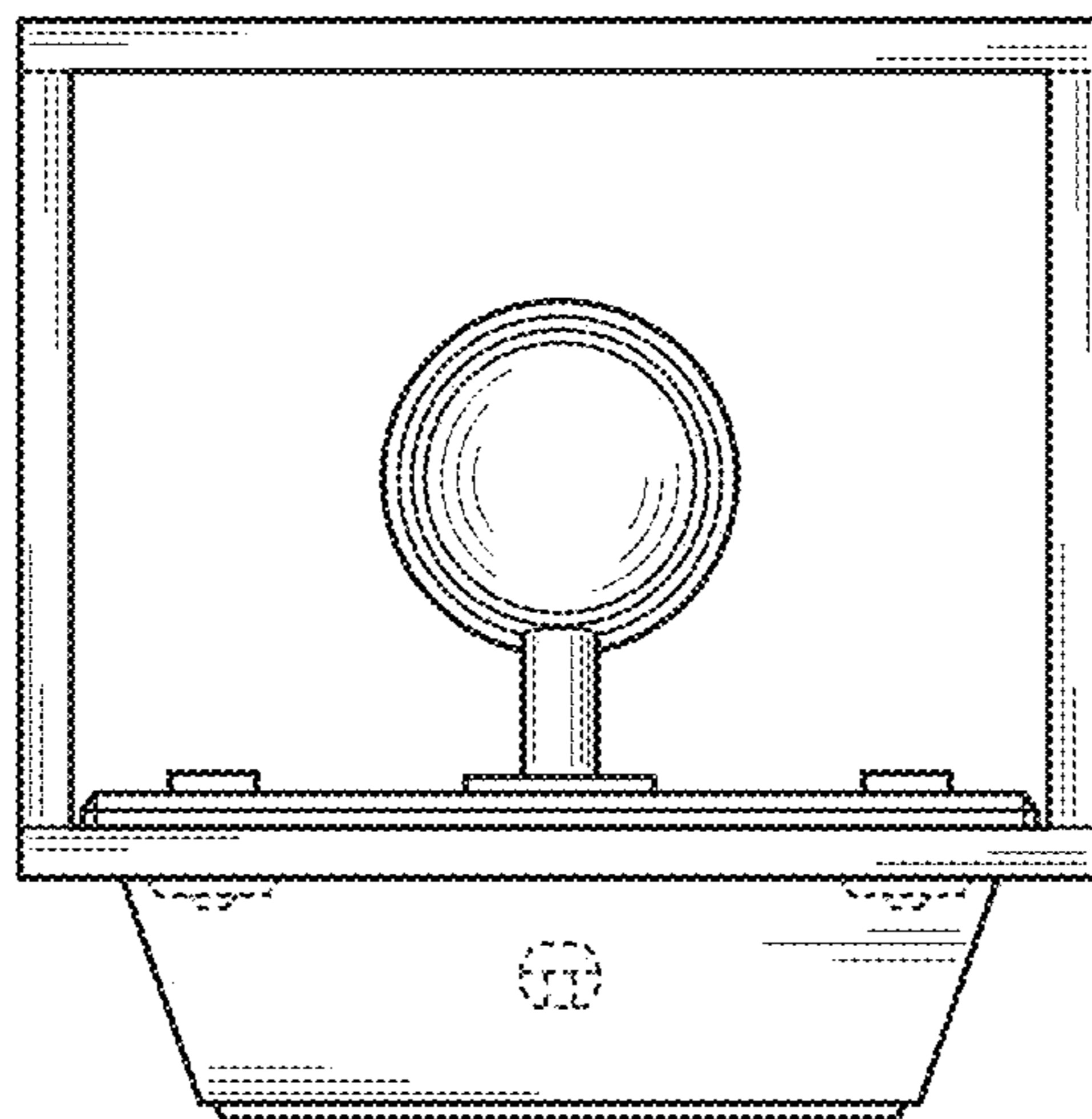


FIG. 10