



US00D932676S

(12) **United States Design Patent** (10) **Patent No.:** **US D932,676 S**  
**Leahy et al.** (45) **Date of Patent:** **\*\* Oct. 5, 2021**

(54) **LIGHTING FIXTURE**  
(71) Applicant: **Lumenture, LLC**, Redding, CT (US)  
(72) Inventors: **James D. Leahy**, Redding, CT (US);  
**Andrew F. Sack**, Redding, CT (US)  
(73) Assignee: **Lumenture, Inc.**, Monroe, CT (US)  
(\*\*) Term: **15 Years**  
(21) Appl. No.: **29/693,151**  
(22) Filed: **May 31, 2019**

D592,348 S 5/2009 Trott  
D638,975 S 5/2011 Hyland  
D646,827 S \* 10/2011 Van Gompel ..... D26/74  
D646,831 S \* 10/2011 Pan ..... D26/74  
D652,559 S \* 1/2012 Beghelli ..... D26/74  
D677,818 S \* 3/2013 Steele ..... D26/74  
D701,341 S \* 3/2014 Mayfield, III ..... D26/74  
D706,481 S 6/2014 Holland  
D720,488 S \* 12/2014 Toyohisa ..... D26/74  
D724,774 S \* 3/2015 Mayfield, III ..... D26/74  
D730,556 S 5/2015 Toyohisa  
D744,689 S \* 12/2015 Maxik ..... D26/74  
D767,193 S \* 9/2016 Jung ..... D26/74  
D807,557 S \* 1/2018 Stromborg ..... D26/74  
D862,765 S \* 10/2019 Leahy ..... D26/74

\* cited by examiner

**Related U.S. Application Data**

(63) Continuation-in-part of application No. 29/629,786,  
filed on Dec. 15, 2017.  
(51) **LOC (13) Cl.** ..... **26-05**  
(52) **U.S. Cl.**  
USPC ..... **D26/74**  
(58) **Field of Classification Search**  
USPC ..... D26/74, 72, 75, 76, 77, 78, 85, 88, 89,  
D26/118, 138, 141, 67, 70; 362/364,  
362/365, 373, 145, 146, 147, 148, 150,  
362/153, 153.1, 294, 296.01, 296.07,  
362/296.08  
CPC ..... F21V 29/2262; F21V 7/06; F21V 21/044;  
F21V 21/047; F21V 29/2212; F21V  
29/2225; F21V 29/2256; F21V 29/225;  
F21V 29/2268; F21Y 2111/002; F21S  
8/02; F21S 8/026  
See application file for complete search history.

*Primary Examiner* — Angela J Lee

(74) *Attorney, Agent, or Firm* — Winthrop & Weinstine,  
P.A.

(57) **CLAIM**

The ornamental design for a lighting fixture, as shown and  
described.

**DESCRIPTION**

FIG. 1 is a top, right perspective view of the lighting fixture;  
FIG. 2 is a top, left perspective view thereof;  
FIG. 3 is a top view thereof;  
FIG. 4 is a left side view thereof;  
FIG. 5 is a front end view thereof;  
FIG. 6 is a right side view thereof;  
FIG. 7 is a bottom left perspective view thereof;  
FIG. 8 is a bottom view thereof;  
FIG. 9 is a bottom right perspective view thereof; and,  
FIG. 10 is a back end view thereof.

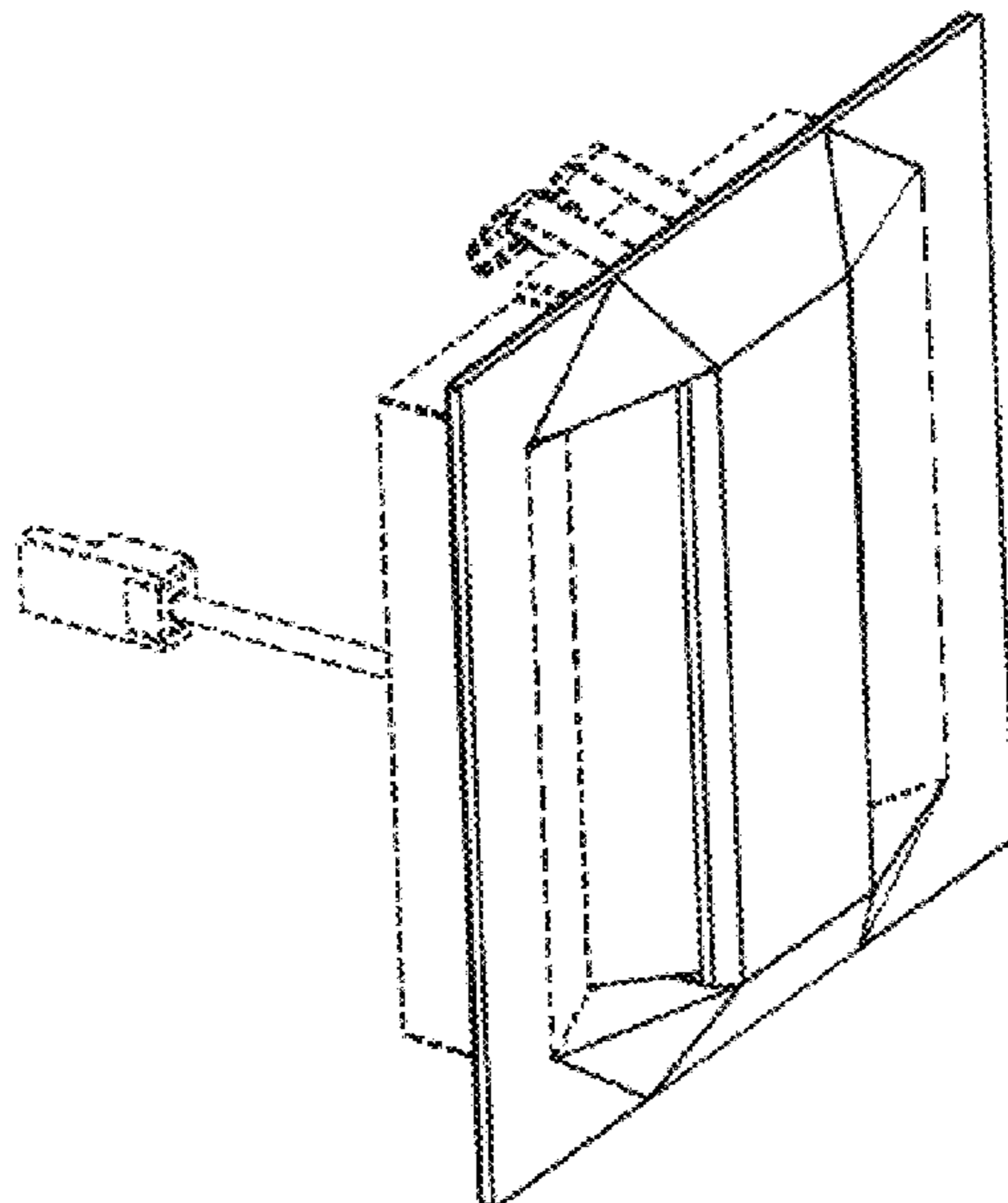
The broken lines are included for the purpose of illustrating  
the portions of the lighting fixture that form no part of the  
claimed design.

(56) **References Cited**

**U.S. PATENT DOCUMENTS**

D348,533 S \* 7/1994 Herst ..... D26/76  
D348,534 S \* 7/1994 Herst ..... D26/76  
D574,478 S 8/2008 Hiroshi

**1 Claim, 10 Drawing Sheets**



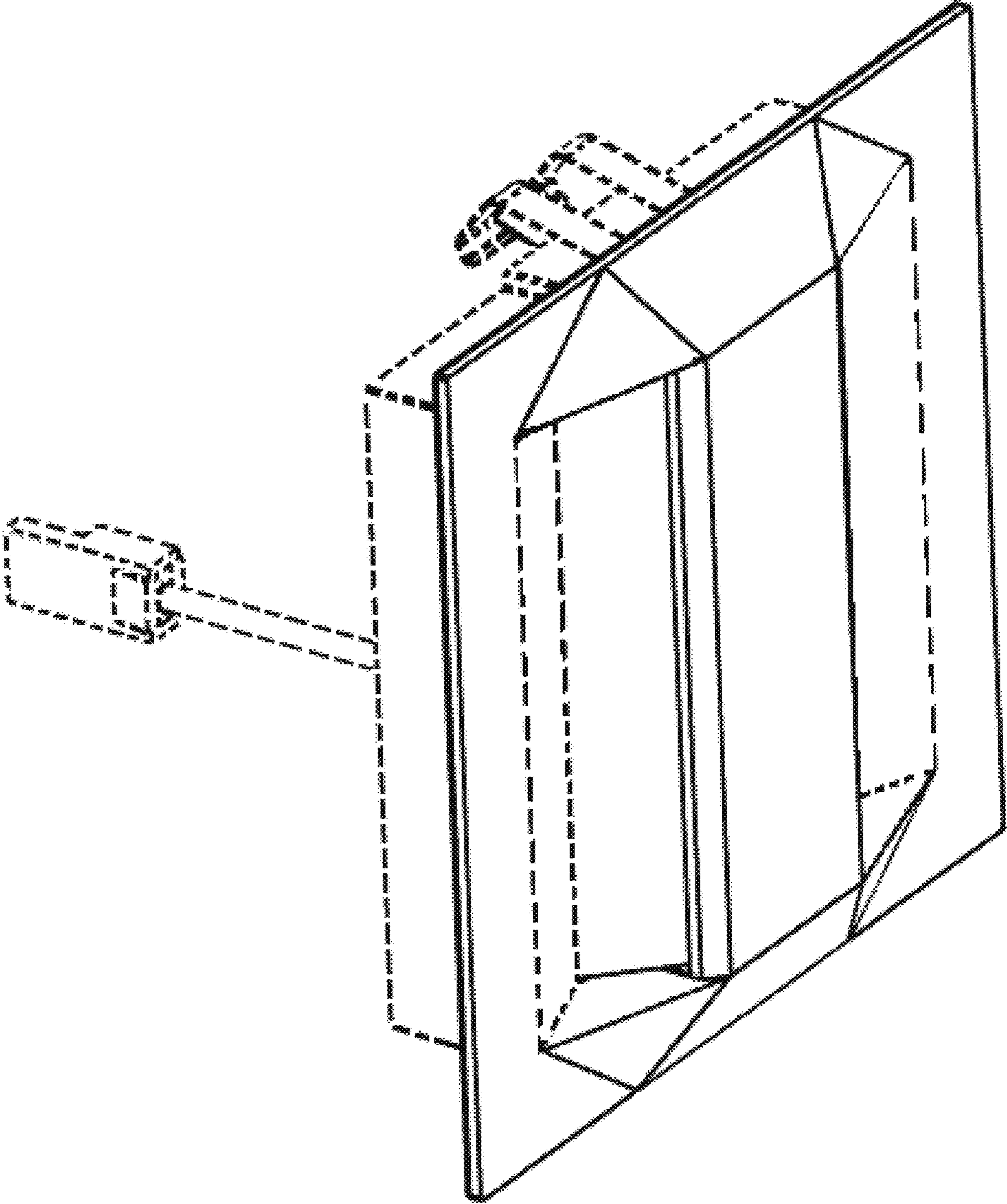


FIG. 1

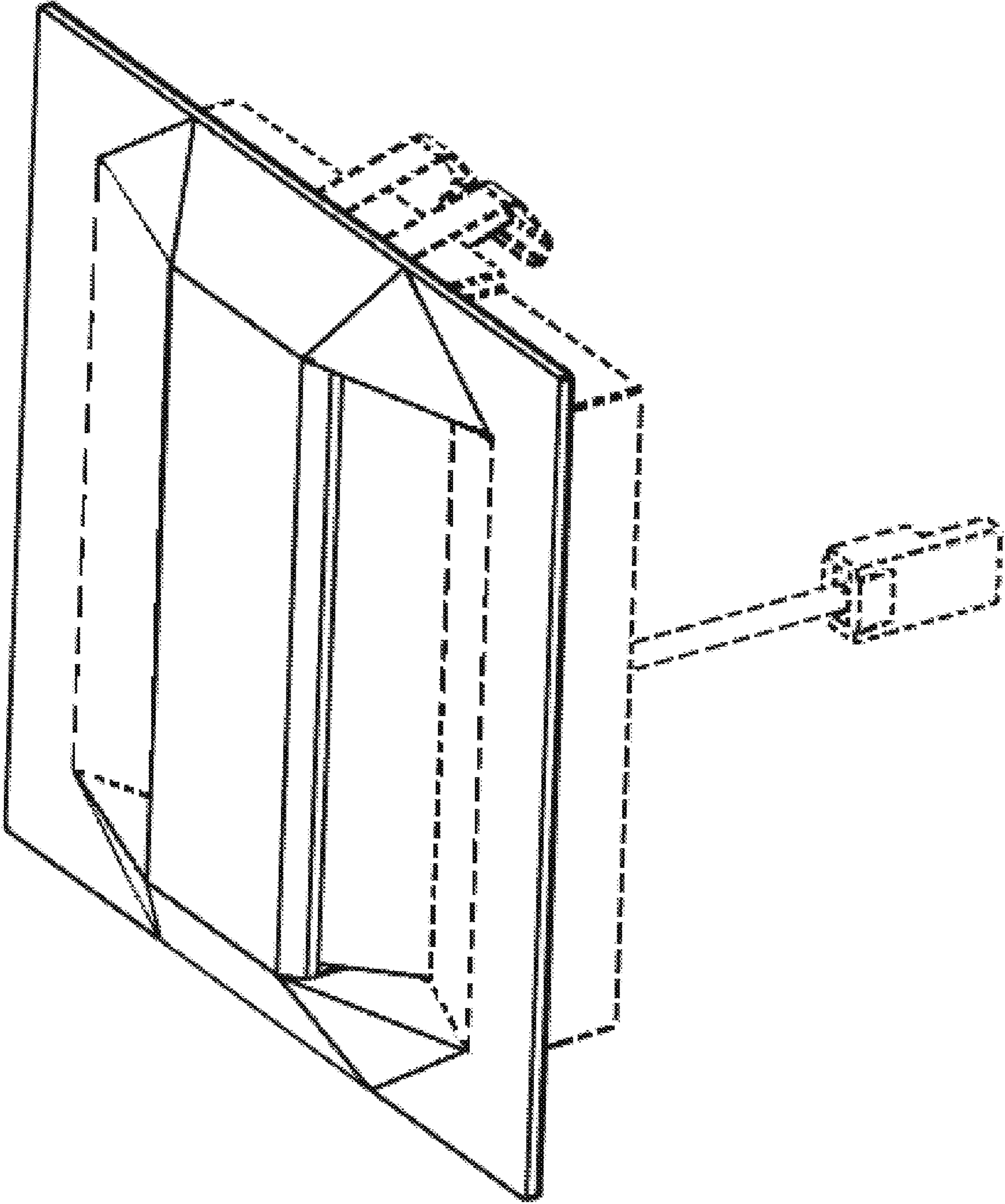


FIG. 2

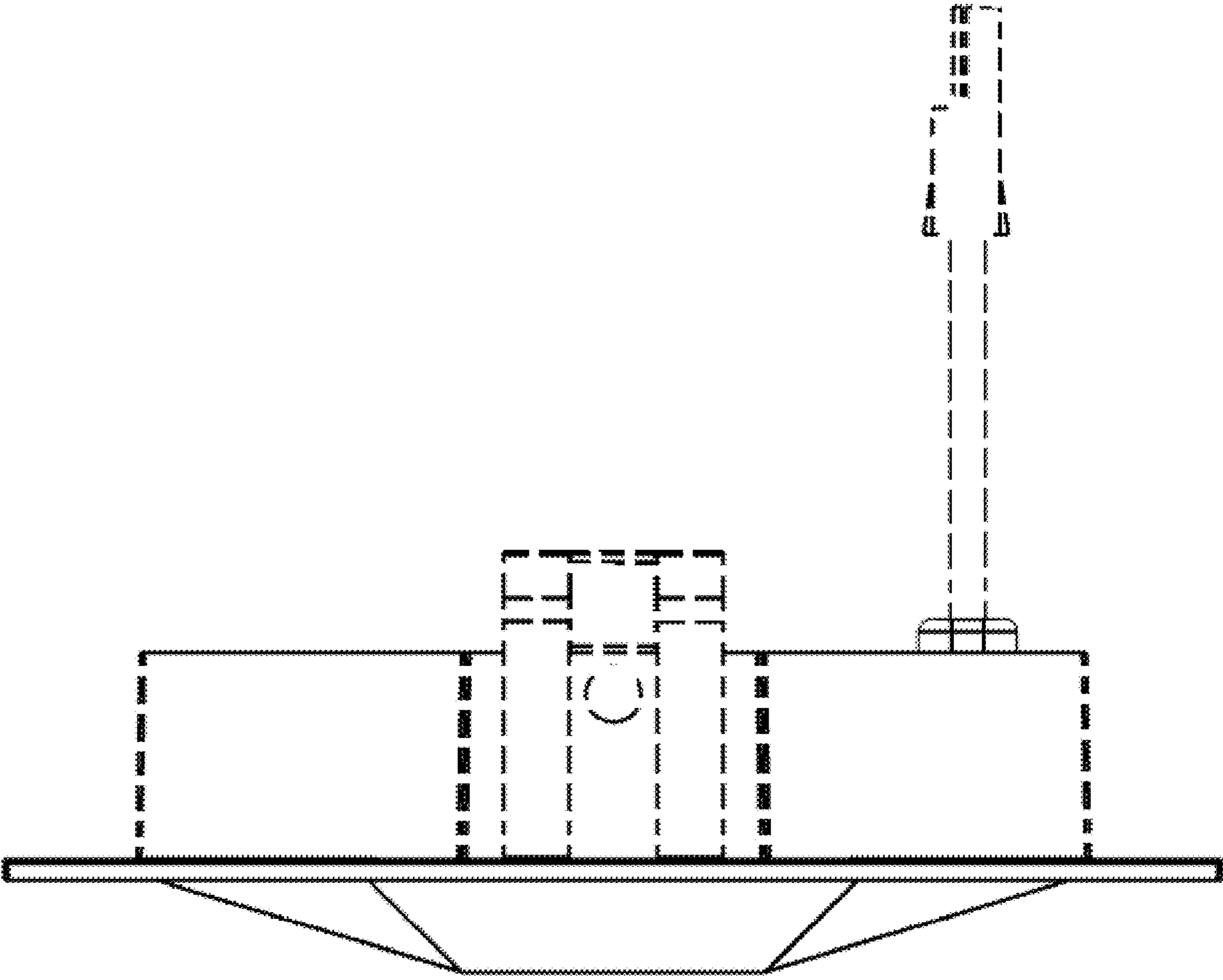


FIG. 3

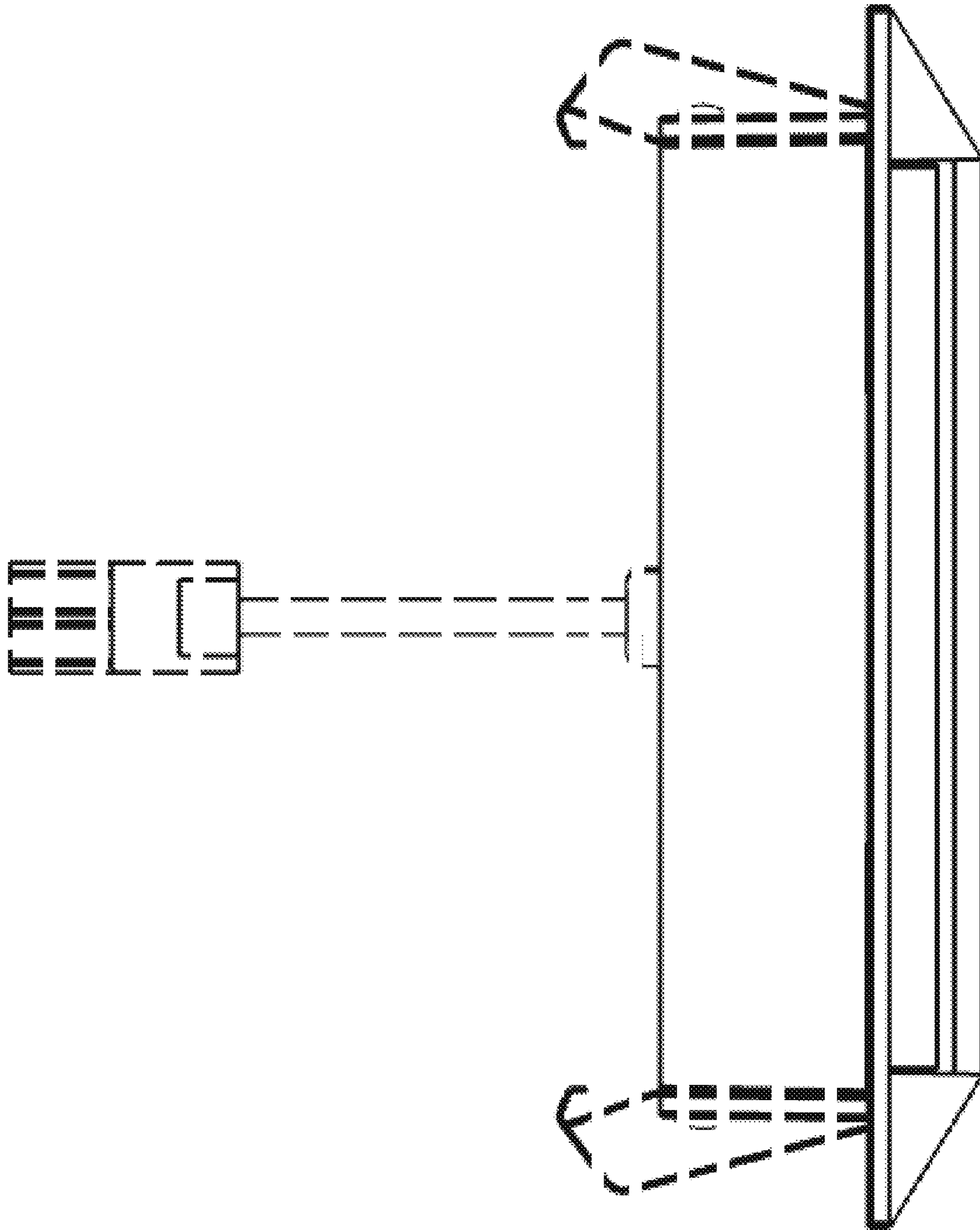


FIG. 4

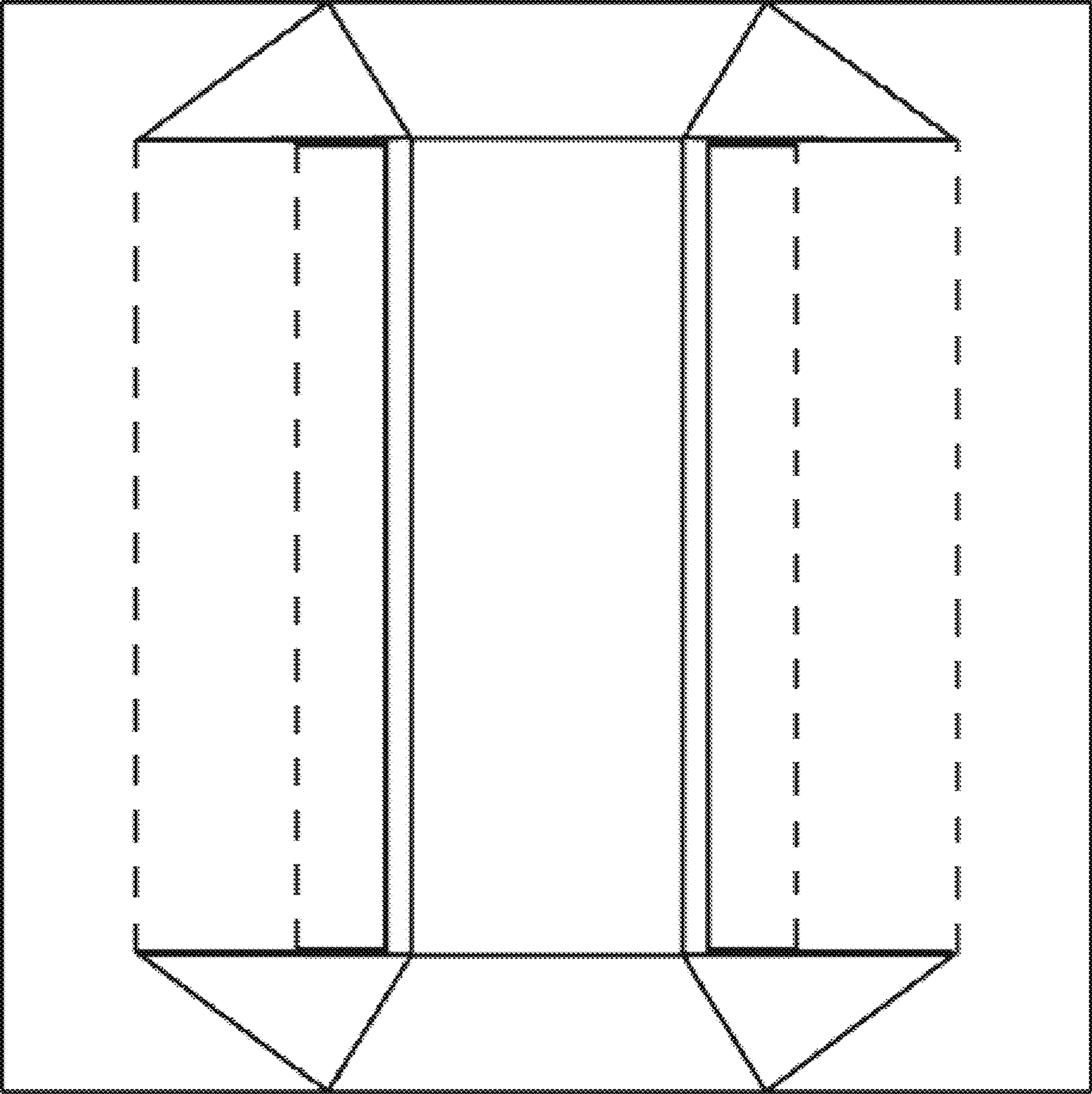


FIG. 5

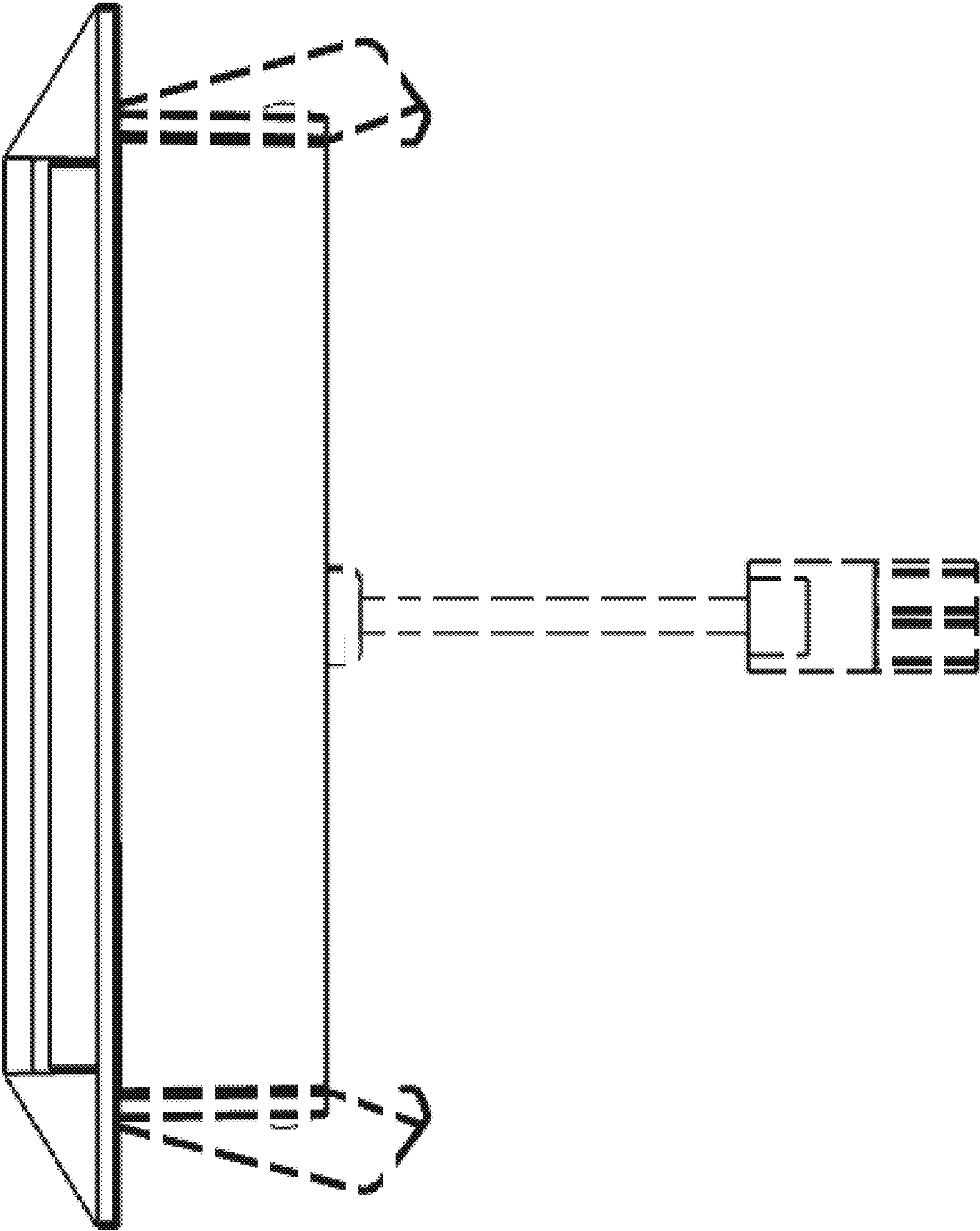


FIG. 6

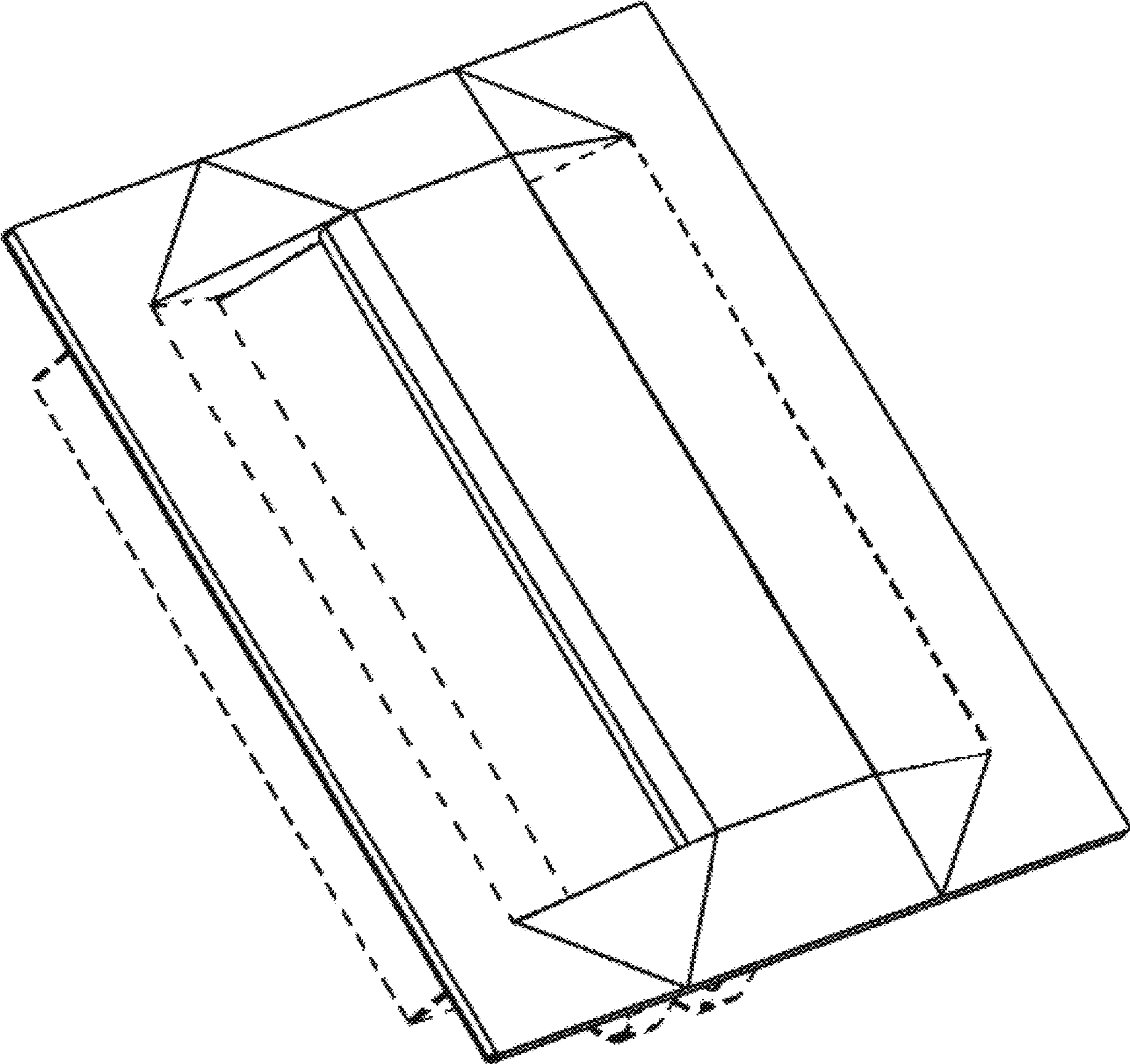


FIG. 7



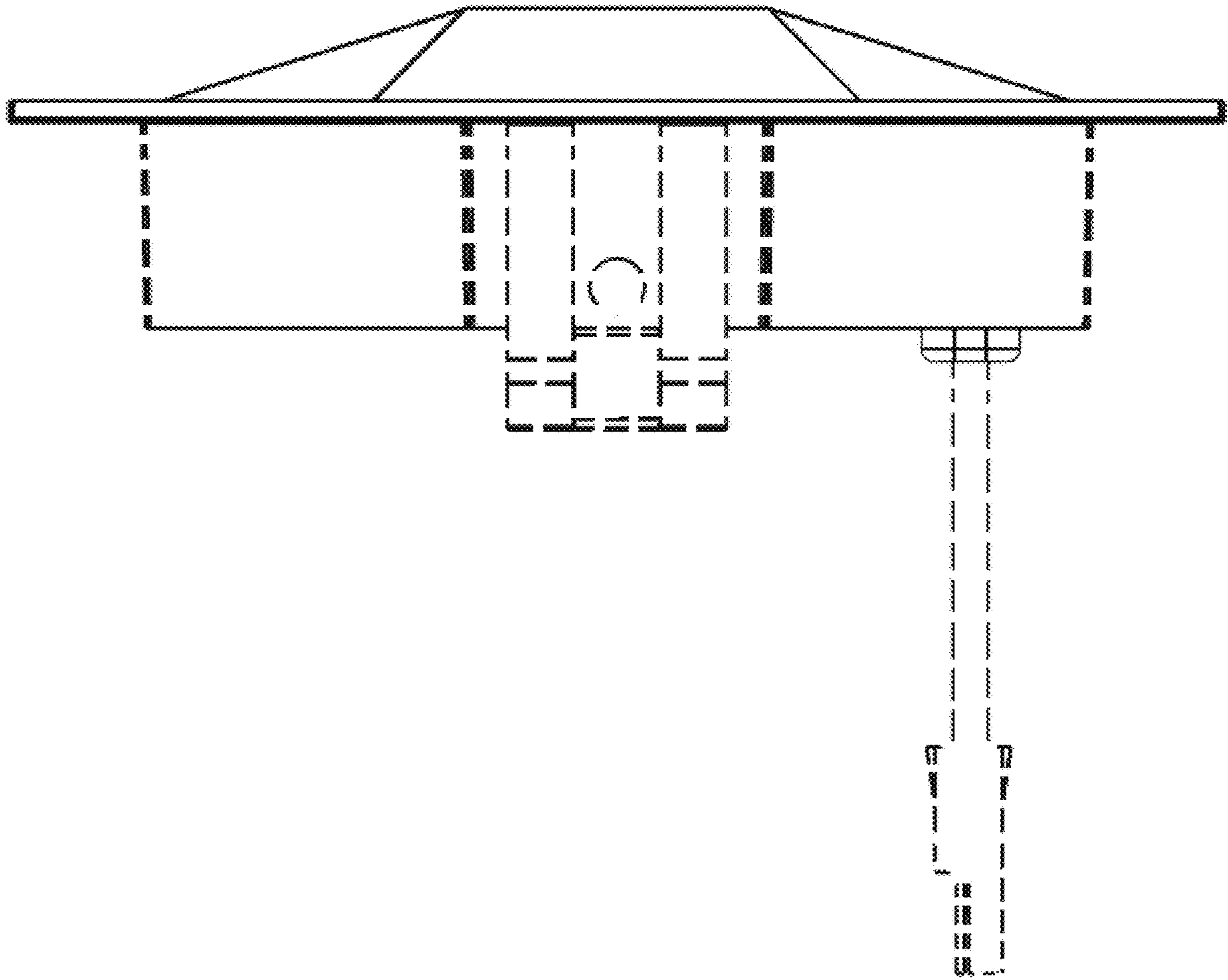


FIG. 8

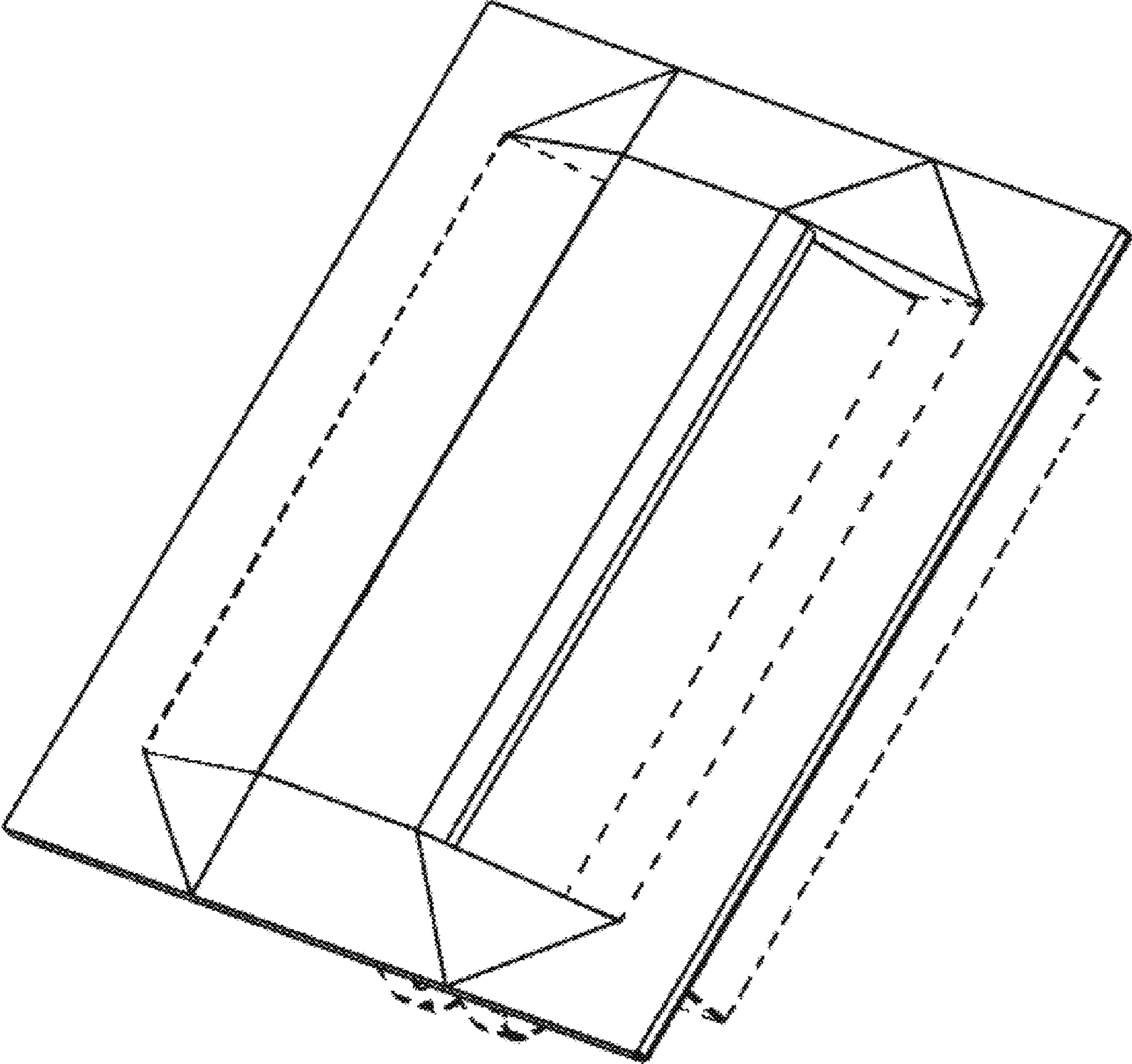


FIG. 9

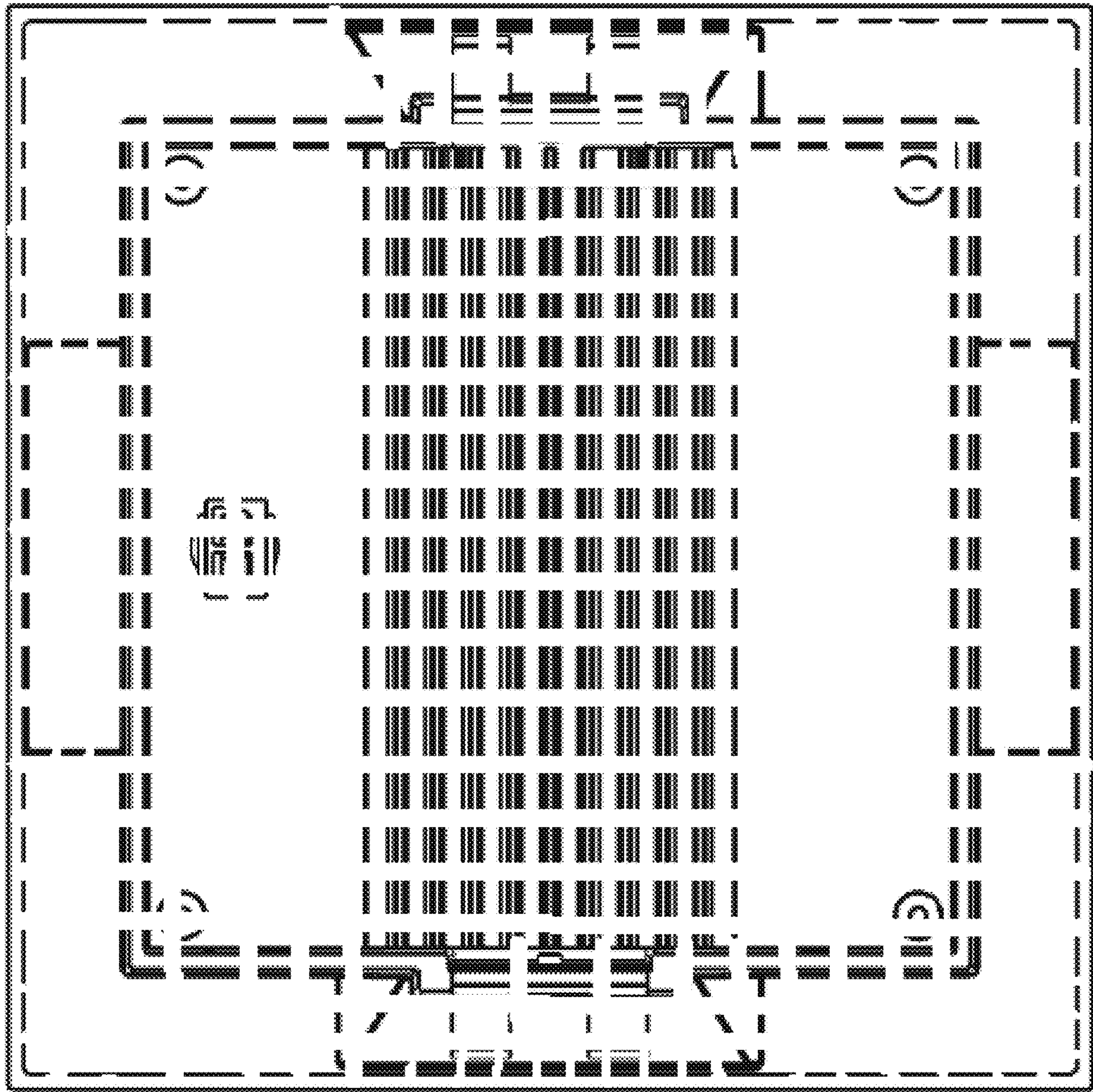


FIG. 10