



US00D932674S

(12) **United States Design Patent**
Liu

(10) **Patent No.:** **US D932,674 S**
(45) **Date of Patent:** **** Oct. 5, 2021**

(54) **TABLE LAMP**

(71) Applicant: **Wenxiong Liu**, Shenzhen (CN)

(72) Inventor: **Wenxiong Liu**, Shenzhen (CN)

(**) Term: **15 Years**

(21) Appl. No.: **29/761,876**

(22) Filed: **Dec. 11, 2020**

(30) **Foreign Application Priority Data**

Nov. 27, 2020 (EM) 008288823-0001

(51) **LOC (13) Cl.** **26-05**

(52) **U.S. Cl.**

USPC **D26/61**; D26/63; D26/104; D26/110

(58) **Field of Classification Search**

USPC D26/1, 24, 37, 38, 40-42, 44, 50-52, 54,
D26/57, 61-63, 65-67, 72, 76, 78-83,
D26/85-88, 90, 92-96, 102, 104-113,
D26/118-122, 138-142, 145, 152, 155

CPC F21S 2/00; F21S 6/00; F21S 6/002-008;
F21S 8/00; F21S 8/03; F21S 8/031; F21S
8/033; F21S 8/035-037; F21S 8/04; F21S
8/043; F21S 8/063; F21S 8/08; F21V
1/00; F21V 21/00; F21V 21/02; F21V
21/10; F21V 21/108; F21V 21/14; F21V
21/26; F21V 21/28; F21V 21/30; F21W
2121/00; F21W 2131/30

See application file for complete search history.

(56) **References Cited**

U.S. PATENT DOCUMENTS

D166,316 S * 4/1952 Juergens D26/63
D619,745 S * 7/2010 Kung D26/61
D652,555 S * 1/2012 Palese D26/61

(Continued)

FOREIGN PATENT DOCUMENTS

CN 306233217 * 12/2020
EM 008288823-0001 * 12/2020
GB 9008288823-0001 * 11/2020

OTHER PUBLICATIONS

Innersetting Donut Touch Sensor Light, Nov. 16, 2018, Amazon.com, site visited: Aug. 2, 2021, url: <https://www.amazon.in/dp/B07KLRQXCC> (Year: 2018).*

(Continued)

Primary Examiner — T Chase Nelson

Assistant Examiner — Rachel Wolfe

(74) *Attorney, Agent, or Firm* — ScienBiziP, P.C.

(57) **CLAIM**

The ornamental design for a table lamp, as shown and described.

DESCRIPTION

FIG. 1 is a left, front, and top perspective view of a table lamp, showing my design.

FIG. 2 is a right, rear, and bottom perspective view thereof.

FIG. 3 is a front elevation view thereof.

FIG. 4 is a rear elevation view thereof.

FIG. 5 is a left side elevation thereof.

FIG. 6 is a right side elevation thereof.

FIG. 7 is a top plan view thereof.

FIG. 8 is a bottom plan view thereof.

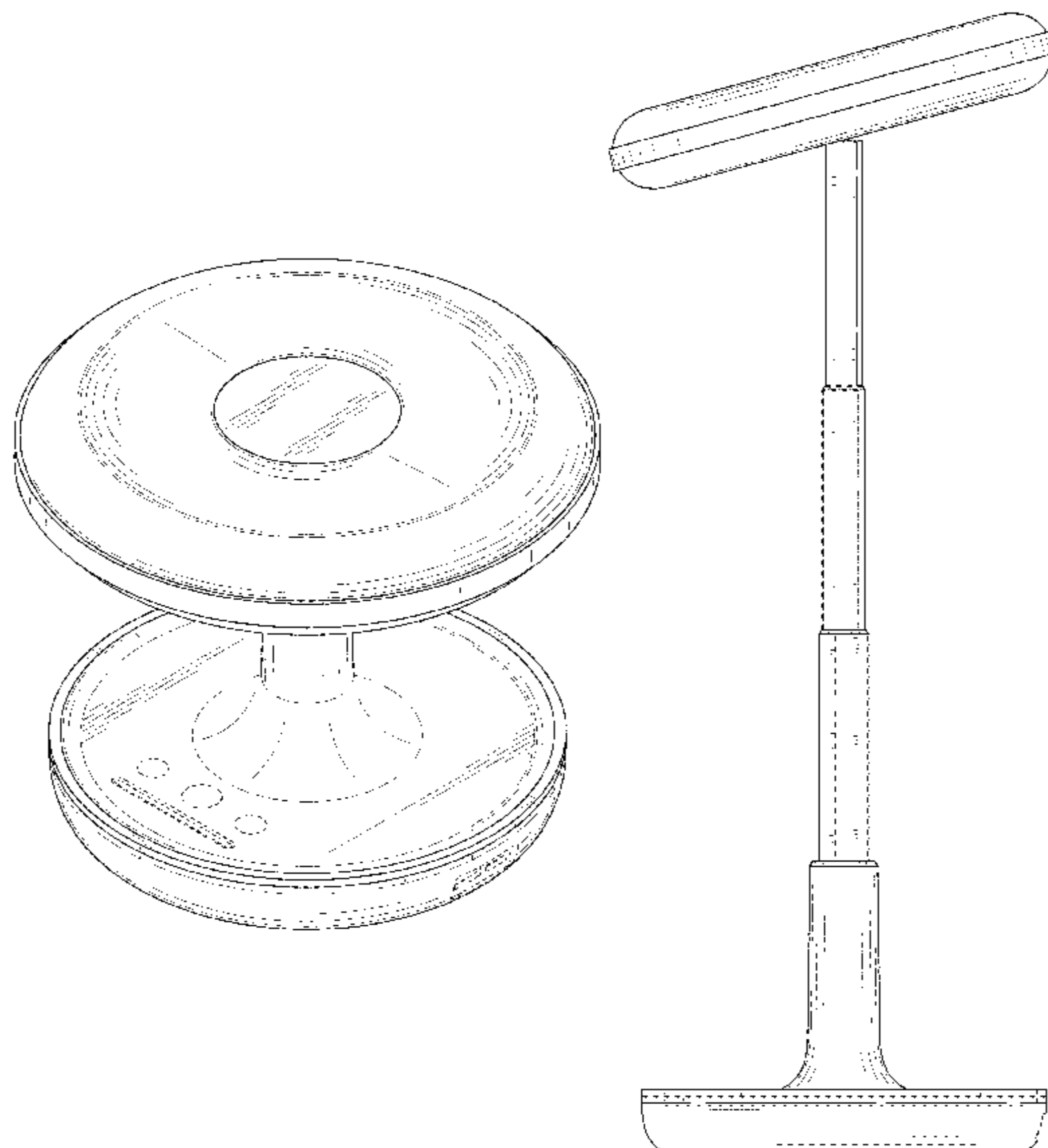
FIG. 9 is a perspective view of the table lamp of FIG. 1 wherein a rotation shaft of the table lamp is elongated.

FIG. 10 is an elevation view of the table lamp of FIG. 5 wherein a rotation shaft of the table lamp is elongated; and,

FIG. 11 is an elevation view of the table lamp of FIG. 5 wherein a rotation shaft of the table lamp is elongated and the top of the table lamp is swiveling.

The broken lines shown in the drawings are included for the purpose of illustrating portions of the table lamp that form no part of the claimed design.

1 Claim, 11 Drawing Sheets



(56)

References Cited

U.S. PATENT DOCUMENTS

D724,254 S * 3/2015 Sun D26/101
 D741,536 S * 10/2015 Ellis D26/110
 D745,210 S * 12/2015 Serwacki D26/138
 D765,904 S * 9/2016 Pouzet D26/110
 D779,705 S * 2/2017 Starck D26/110
 D779,706 S * 2/2017 Starck D26/110
 D790,109 S * 6/2017 Starck D26/110
 D790,748 S * 6/2017 Starck D26/110
 9,714,763 B1 * 7/2017 Hsieh F21S 6/002
 D808,063 S * 1/2018 Starck D26/110
 D810,352 S * 2/2018 Bibby D26/107
 D825,094 S 8/2018 Hendifar et al.
 D828,614 S * 9/2018 Ellis D26/110
 D837,443 S * 1/2019 Slaatto D26/118
 D848,052 S * 5/2019 Qiu D26/110
 D878,664 S * 3/2020 De Majo D26/93
 D880,760 S * 4/2020 Yi D26/106

D891,675 S * 7/2020 Liu D26/85
 D903,186 S * 11/2020 Chang D26/110
 D905,899 S * 12/2020 Smrstick D26/110
 D925,087 S * 7/2021 Chen D26/65
 2008/0247193 A1 * 10/2008 Hsu H01R 33/97
 362/650
 2011/0255274 A1 * 10/2011 Coleman F21L 4/04
 362/183
 2019/0323694 A1 * 10/2019 McDonald F21S 8/08

OTHER PUBLICATIONS

Oct. 17 Makeup Mirror Lighted Lamp, Nov. 10, 2018, Amazon.com, site visited: Aug. 2, 2021, url: <https://www.amazon.com/dp/B06Y3Q5PXQ/> (Year: 2018).*
 Livelit Ring Lights, Dec. 26, 2019, Facebook.com, site visited: Aug. 2, 2021, url: <https://www.facebook.com/LivelitOfficial/photos/a.103800364472948/103802157806102/?type=3&theater> (Year: 2019).*

* cited by examiner

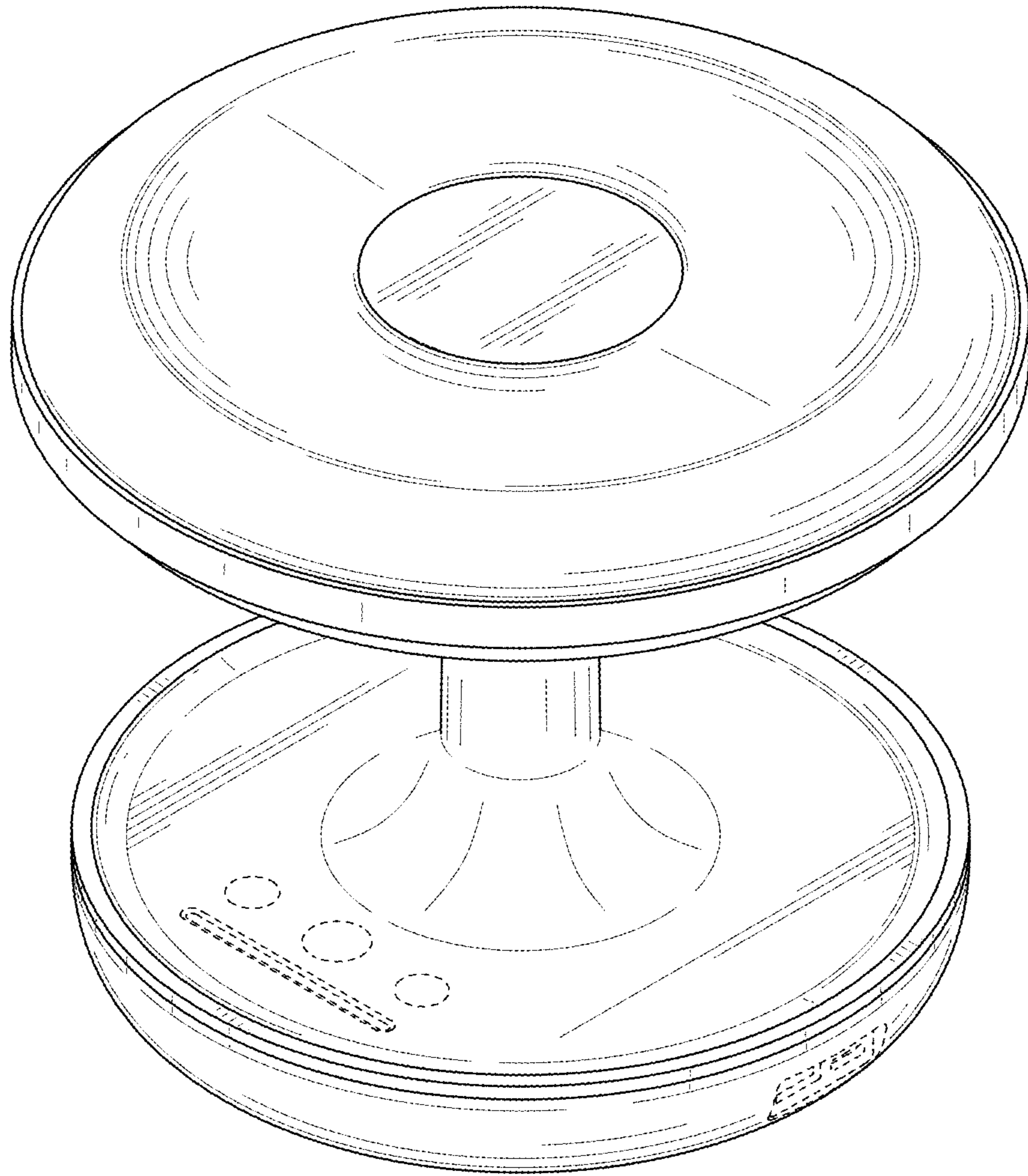


FIG. 1

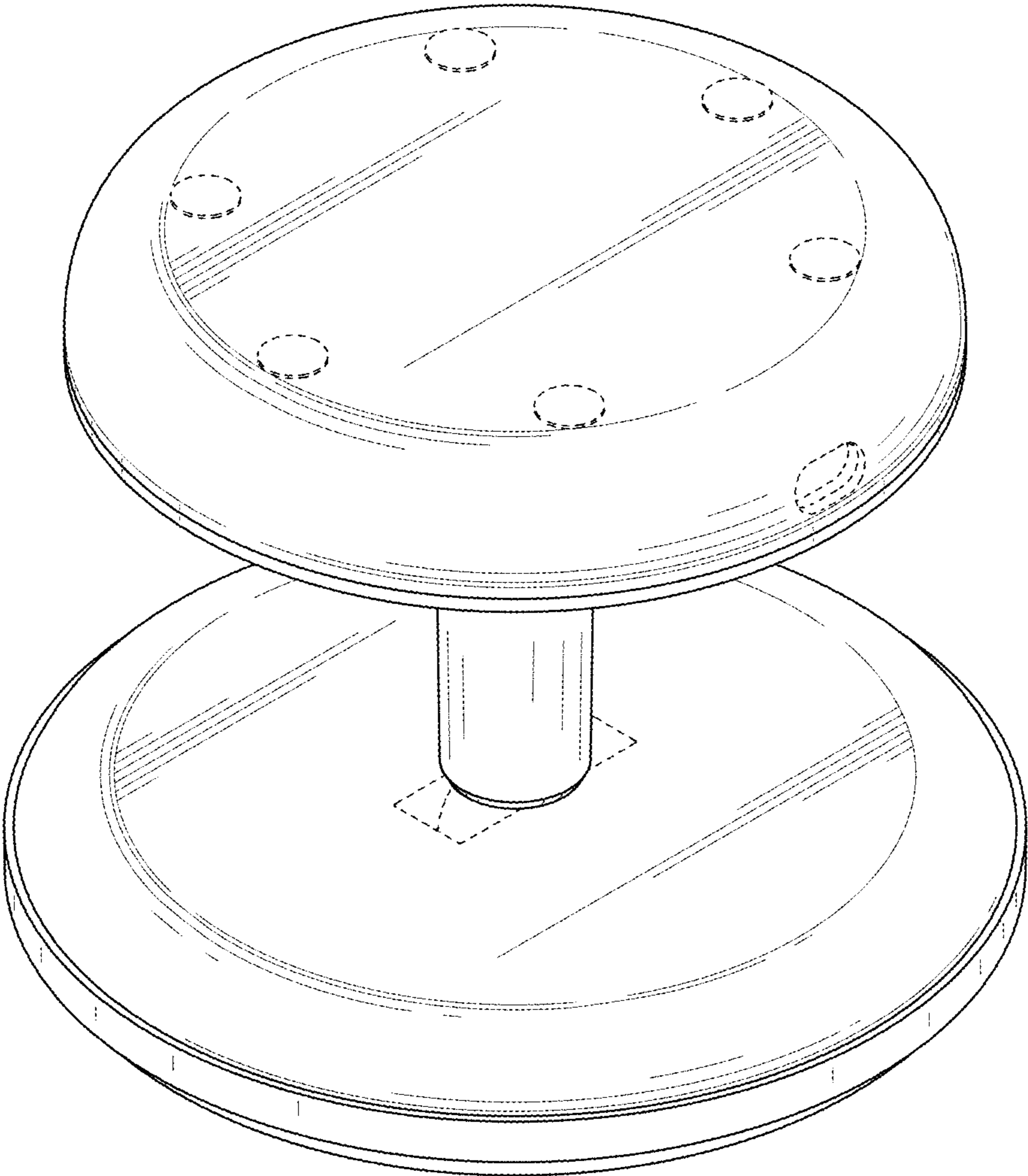


FIG. 2

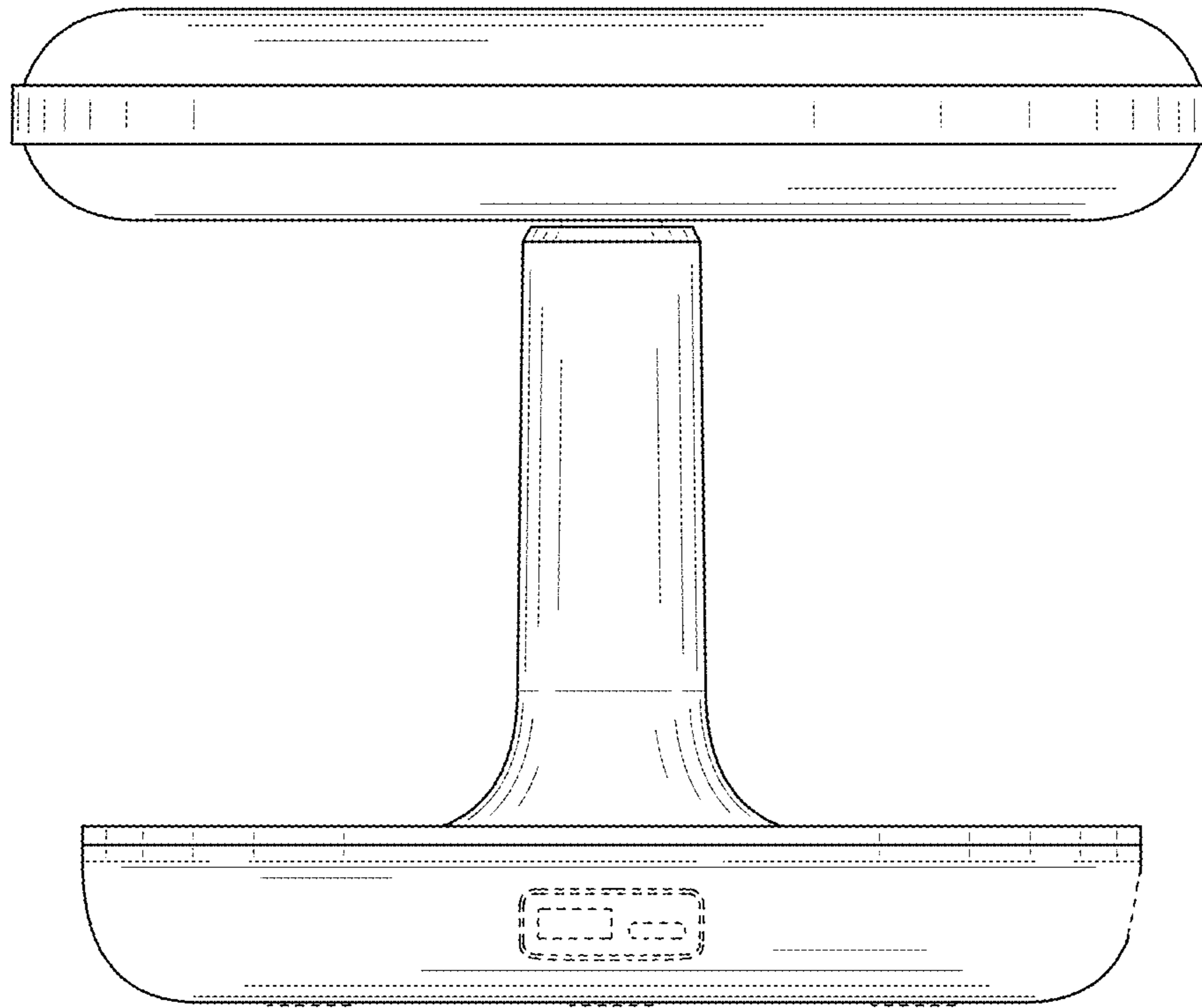


FIG. 3

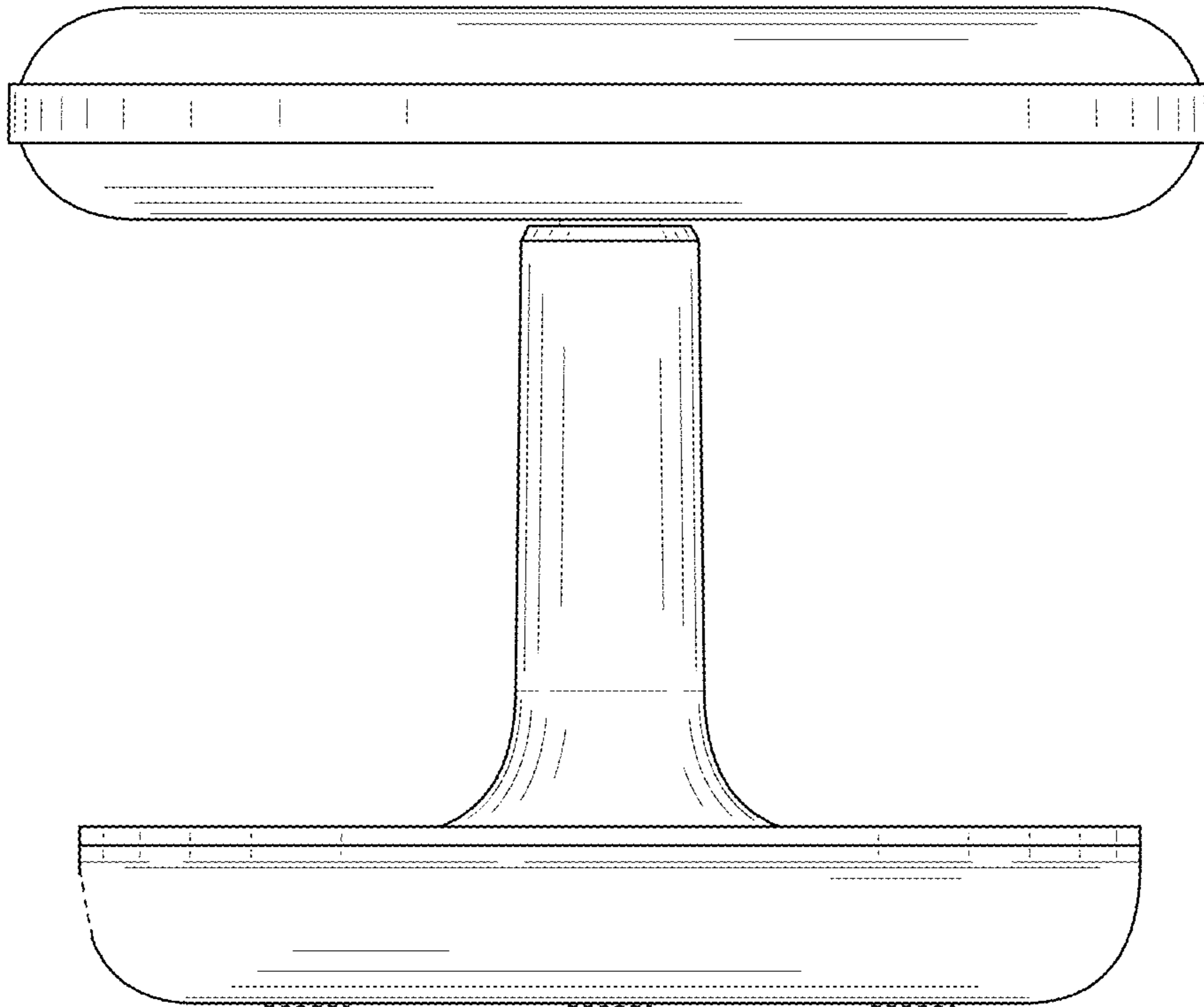


FIG. 4

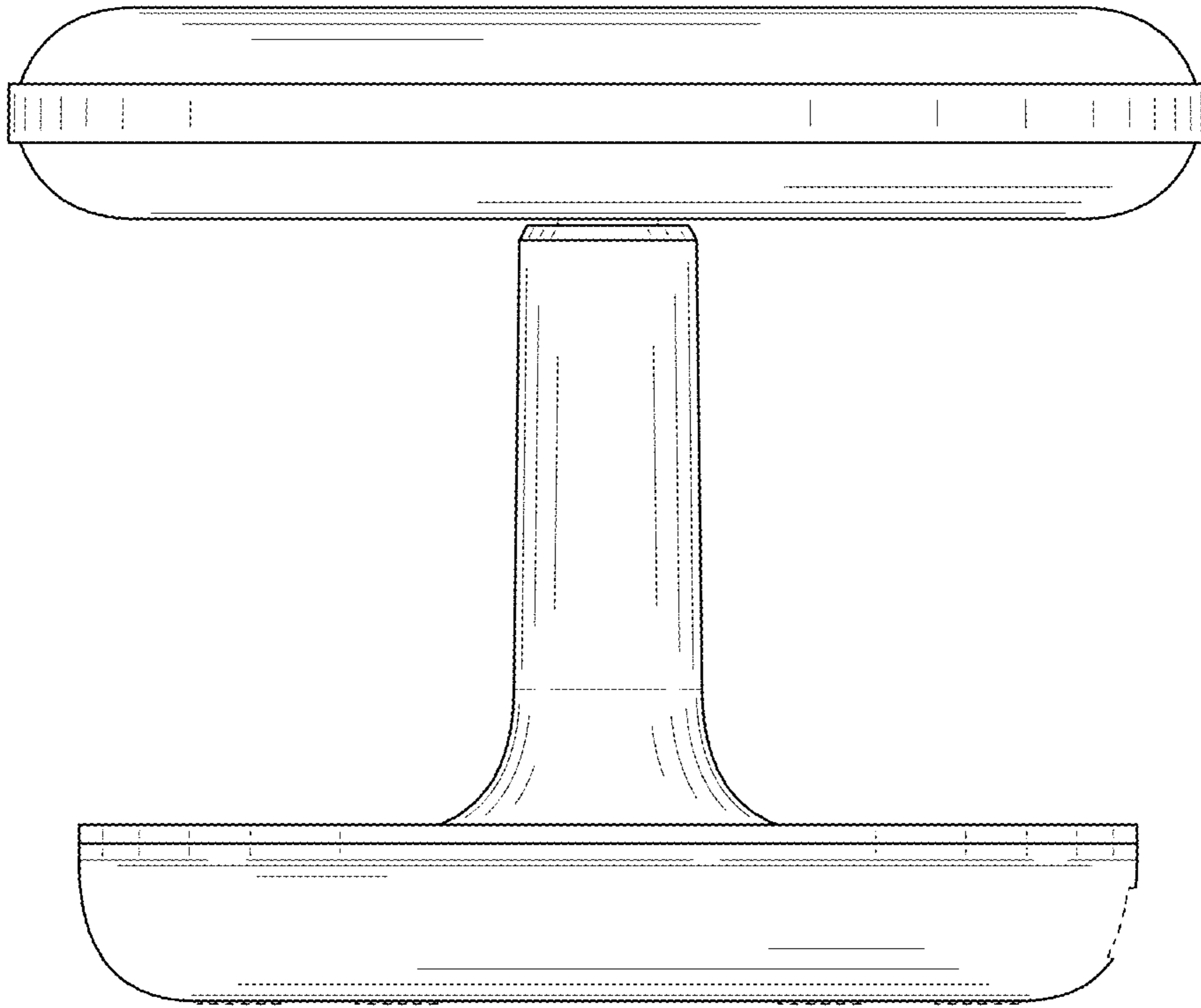


FIG. 5

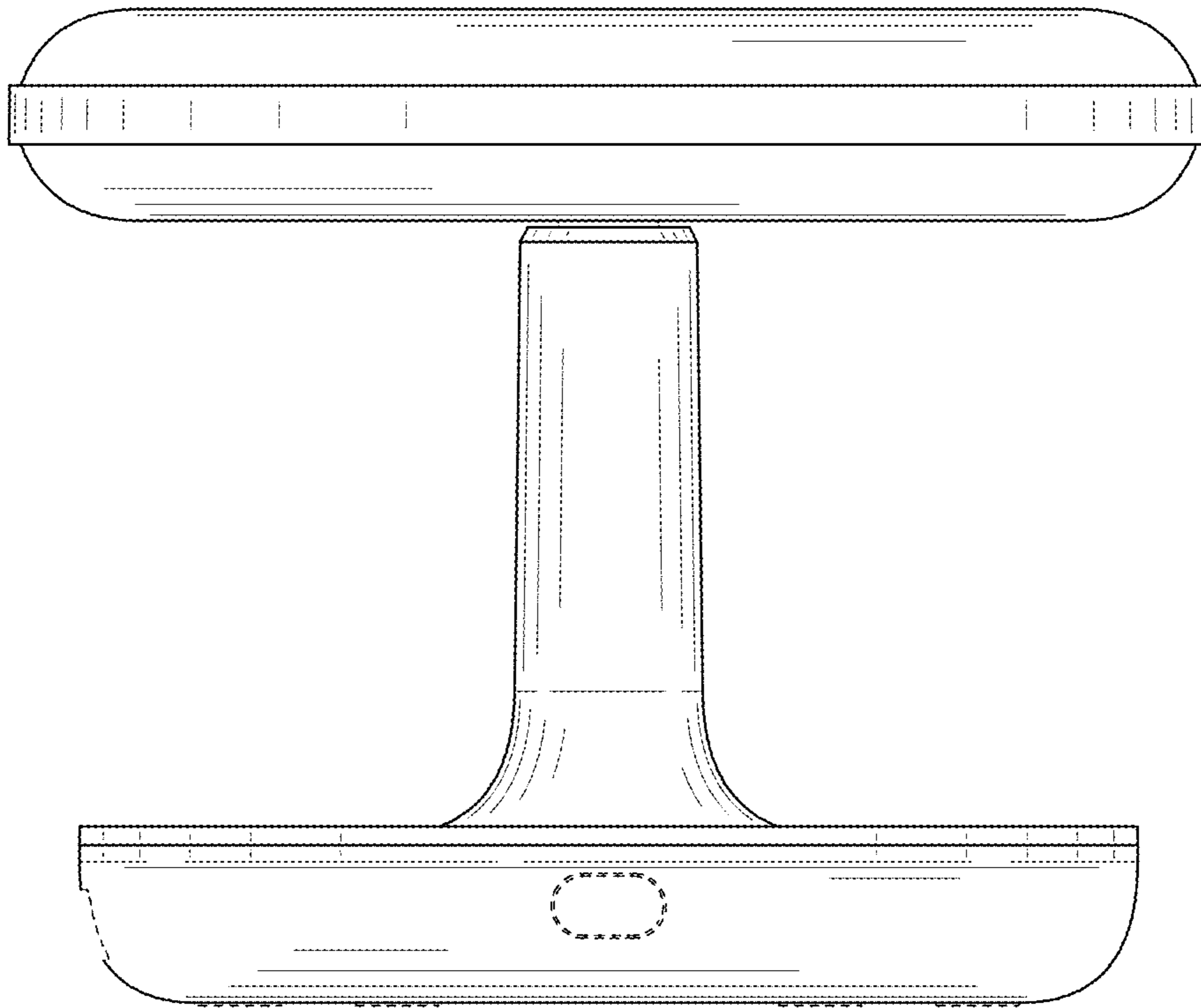


FIG. 6

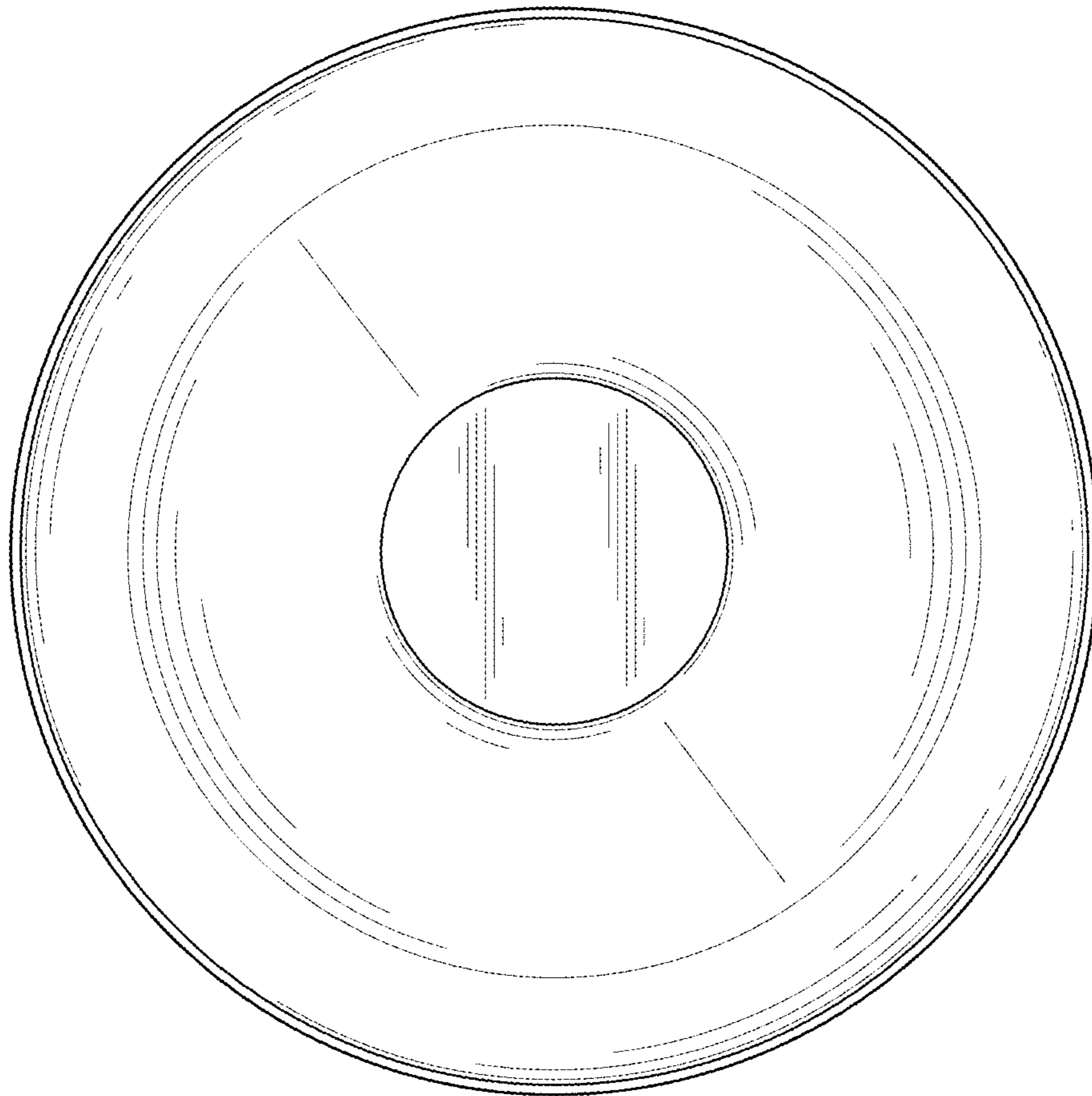


FIG. 7

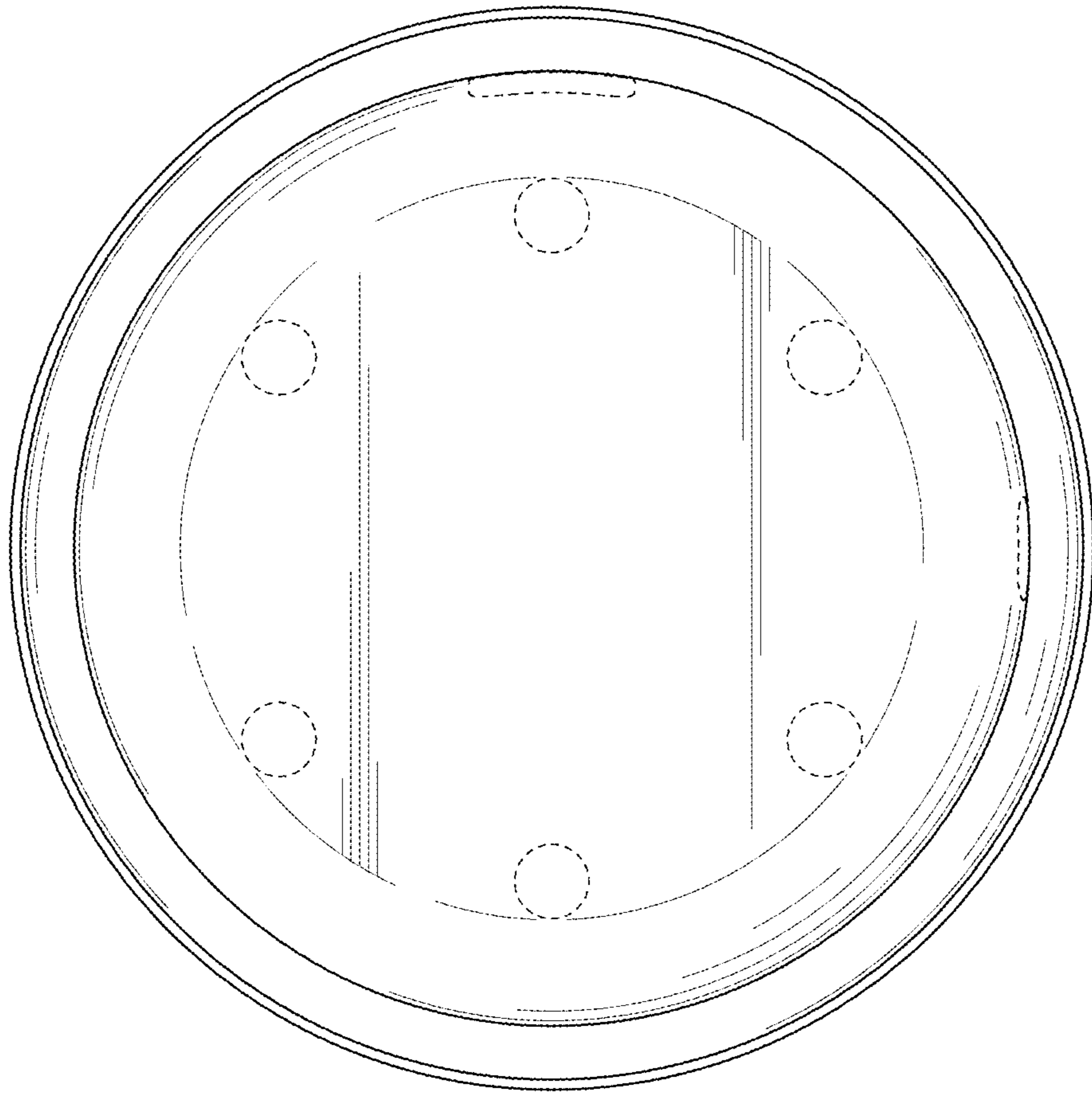


FIG. 8

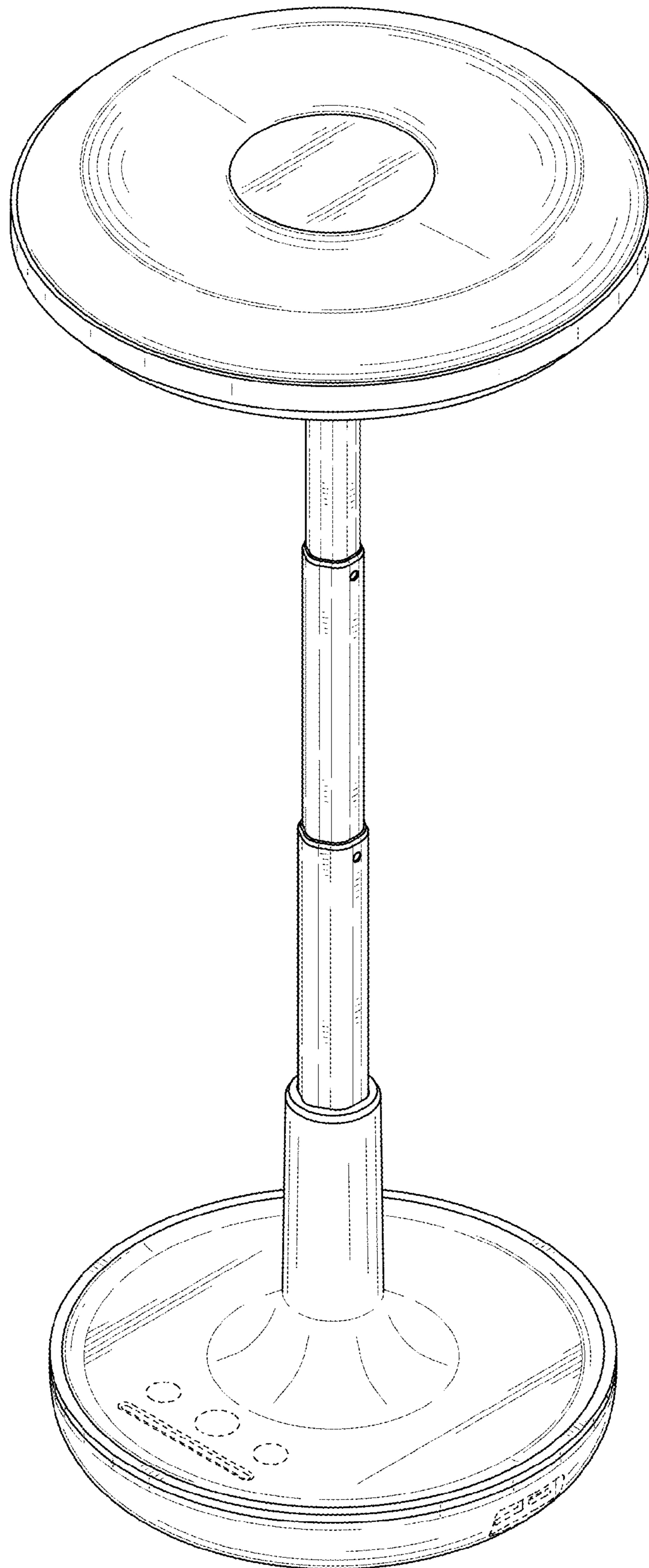


FIG. 9

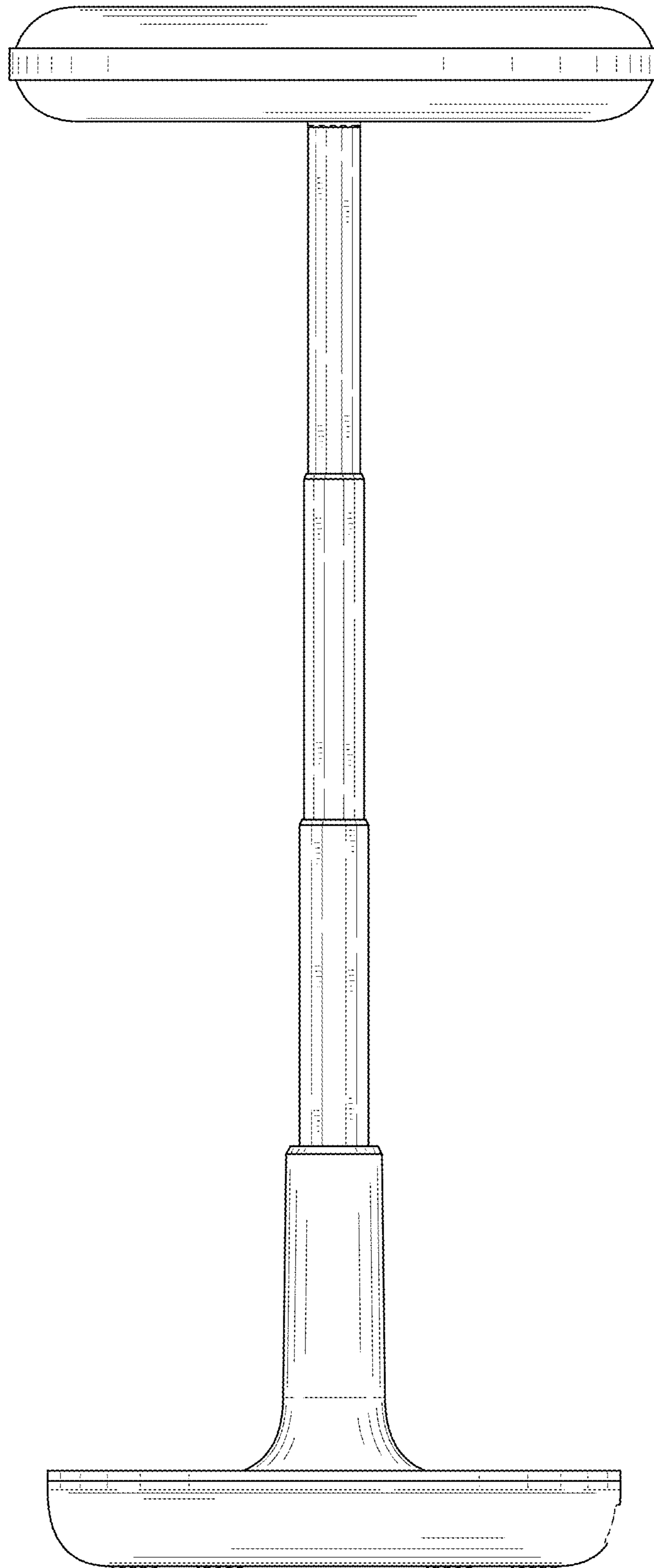


FIG. 10

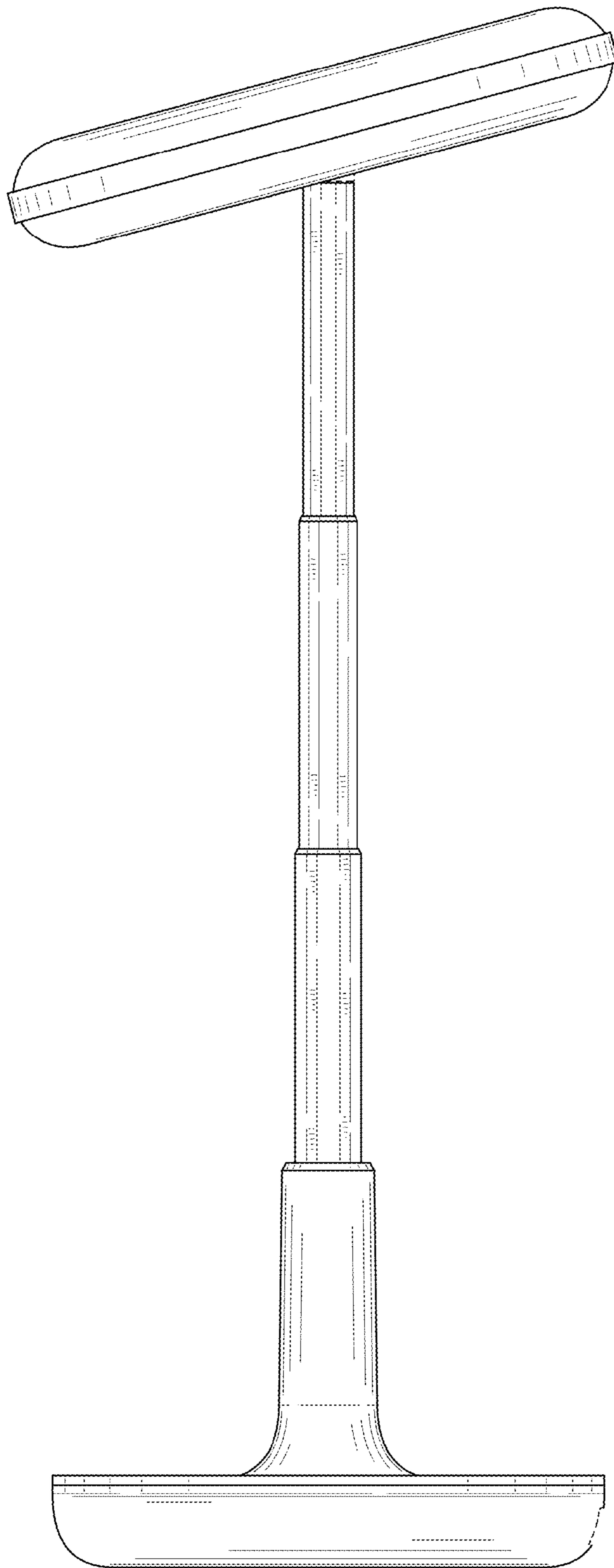


FIG. 11