



US00D932669S

(12) **United States Design Patent** (10) **Patent No.:** **US D932,669 S**
Zhao (45) **Date of Patent:** **** Oct. 5, 2021**

(54) **LED LIGHT BULB PAIR**
(71) Applicant: **HaiHong Zhao**, Bazhong (CN)
(72) Inventor: **HaiHong Zhao**, Bazhong (CN)
(**) Term: **15 Years**
(21) Appl. No.: **29/763,903**
(22) Filed: **Dec. 25, 2020**
(51) **LOC (13) Cl.** **26-04**
(52) **U.S. Cl.**
USPC **D26/25**
(58) **Field of Classification Search**
USPC D26/24, 25, 42, 43, 61, 88, 107, 113,
D26/118, 119; D13/133
CPC F21S 4/00; F21S 4/10; F21S 4/15; F21S
4/20; F21S 4/22; F21S 4/24; F21S 4/26;
F21S 8/00; F21S 8/06; F21S 8/063; F21S
2/00; F21S 2/005; F21V 21/00; F21V
21/02; F21V 21/008; F21V 19/00; F21V
19/008; F21V 15/00; F21V 15/01; F21Y
2103/00
See application file for complete search history.

(56) **References Cited**
U.S. PATENT DOCUMENTS
D243,933 S * 4/1977 Johns D10/111
6,371,637 B1 4/2002 Atchinson et al.
6,566,824 B2 5/2003 Panagotacos et al.
D720,307 S 12/2014 Freeman
D768,892 S * 10/2016 Lockart D26/25
D825,793 S 8/2018 McKinven
D863,060 S 10/2019 Ou
D863,606 S * 10/2019 Ou D26/1
10,454,009 B2 * 10/2019 Altamura F21S 4/10
D873,445 S 1/2020 Chen
D900,356 S * 10/2020 Zhu D26/25
2012/0039070 A1 * 2/2012 Shen F21S 4/10
362/103

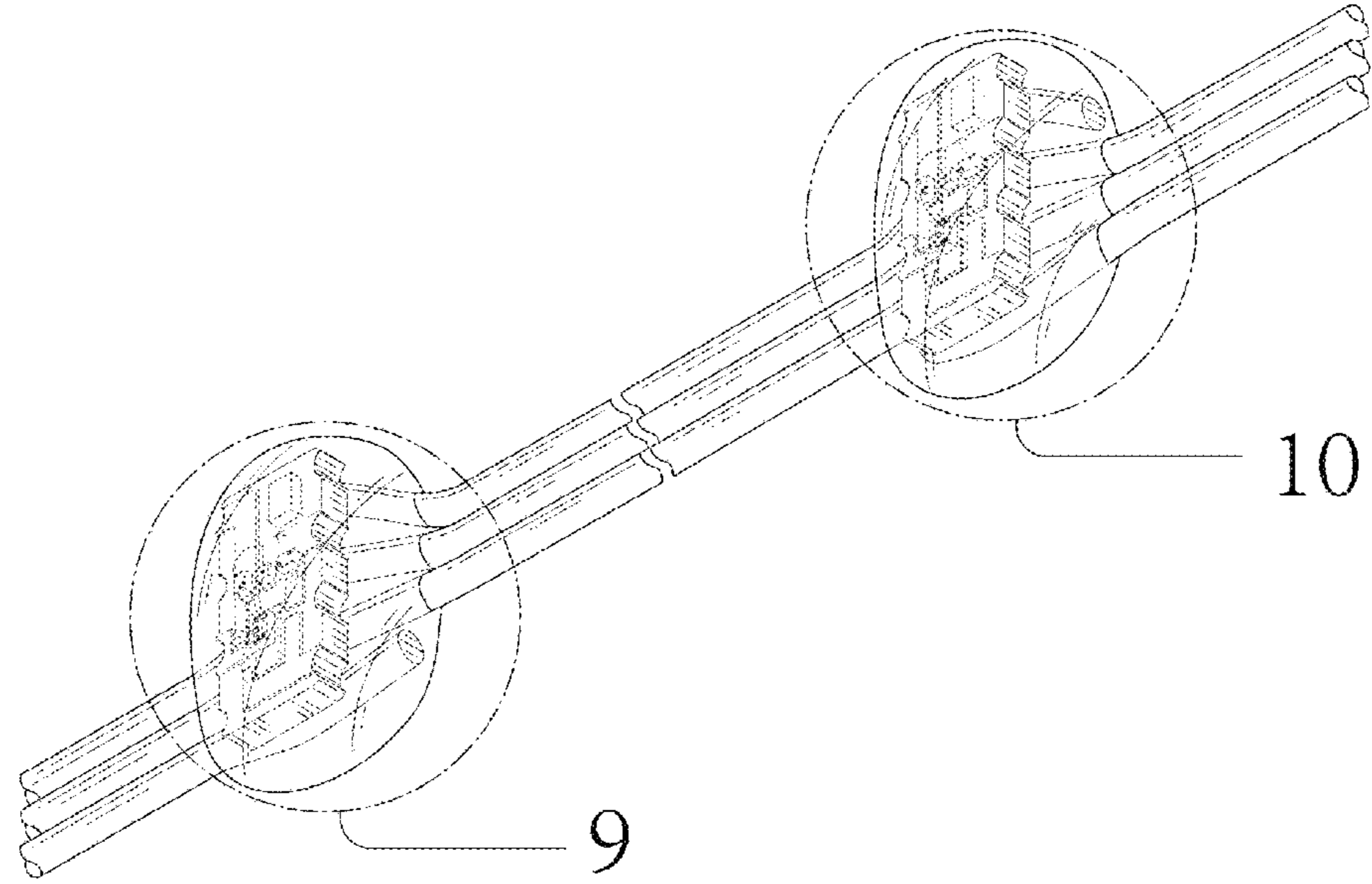
2015/0369464 A1* 12/2015 Chang F21S 4/10
362/219
2016/0341408 A1* 11/2016 Altamura F21S 4/10
2017/0023223 A1* 1/2017 Tsai F21V 23/003
2018/0340676 A1 11/2018 Tsai
* cited by examiner

Primary Examiner — Clint A Samuel
(74) *Attorney, Agent, or Firm* — iPA & iPM

(57) **CLAIM**
The ornamental design for a LED light bulb pair, as shown and described.

DESCRIPTION
FIG. 1 is a first perspective view from above of a LED light bulb pair showing my new design, with areas 9 and 10 further enlarged for illustrating details in FIGS. 9-10 respectively;
FIG. 2 is a perspective view from below thereof, with area 11 further enlarged for illustrating details in FIG. 11;
FIG. 3 is a top view thereof;
FIG. 4 is a bottom view thereof;
FIG. 5 is left side view thereof;
FIG. 6 is a right side view thereof;
FIG. 7 is a back view thereof;
FIG. 8 is a front view thereof;
FIG. 9 is an enlarged detailed perspective view of area 9 in FIG. 1;
FIG. 10 is an enlarged detailed perspective view of area 10 in FIG. 1; and,
FIG. 11 is an enlarged detailed perspective view of area 11 in FIG. 2.
The broken lines showing in the drawings are for the purpose of illustrating portions of the LED light bulb pair and form no part of the claimed design.
The LED light bulb pair is shown with a symbolic break in its length. The appearance of any portion of the article between the break lines forms no part of the claimed design.

1 Claim, 11 Drawing Sheets



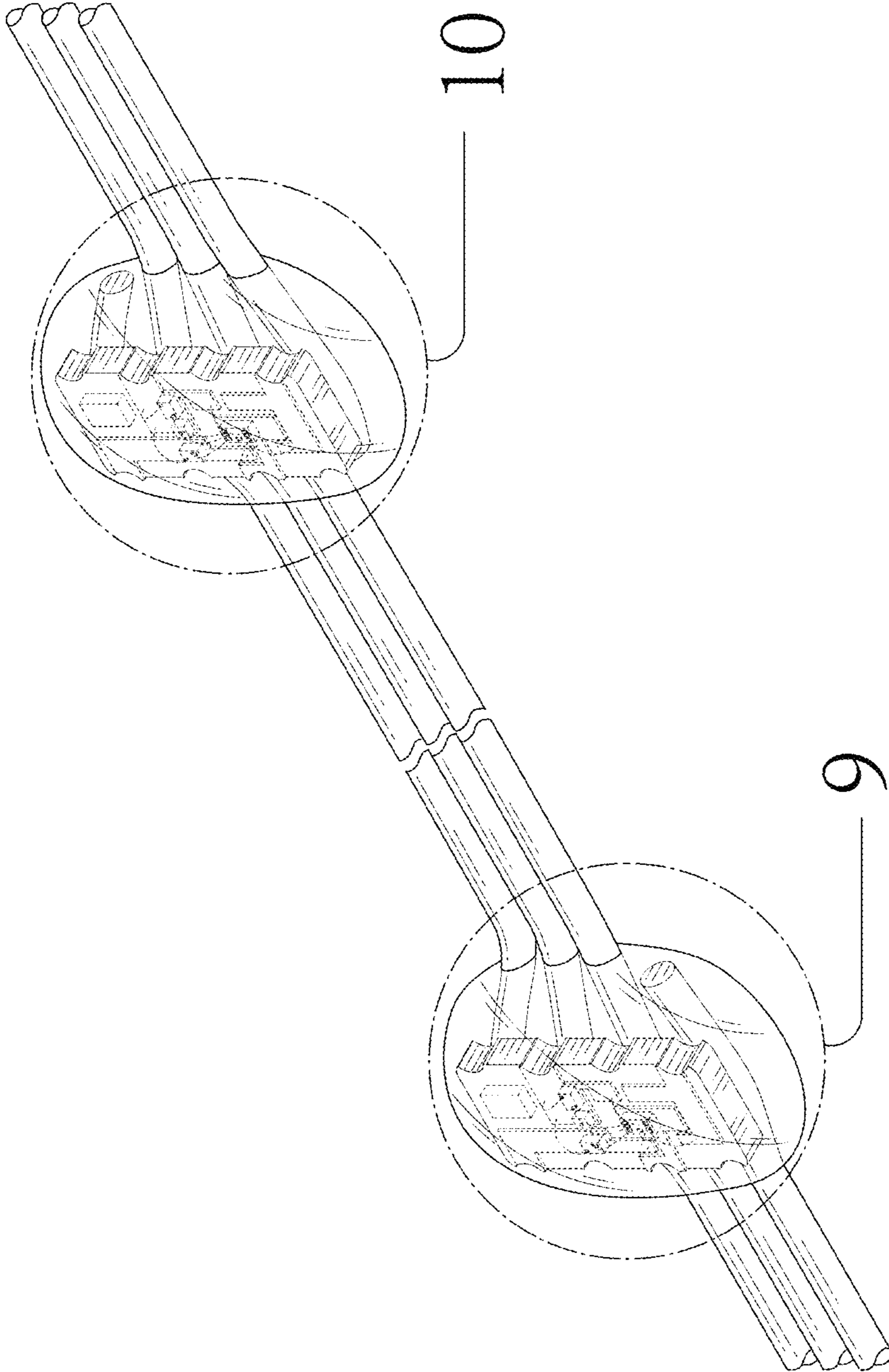


FIG.1

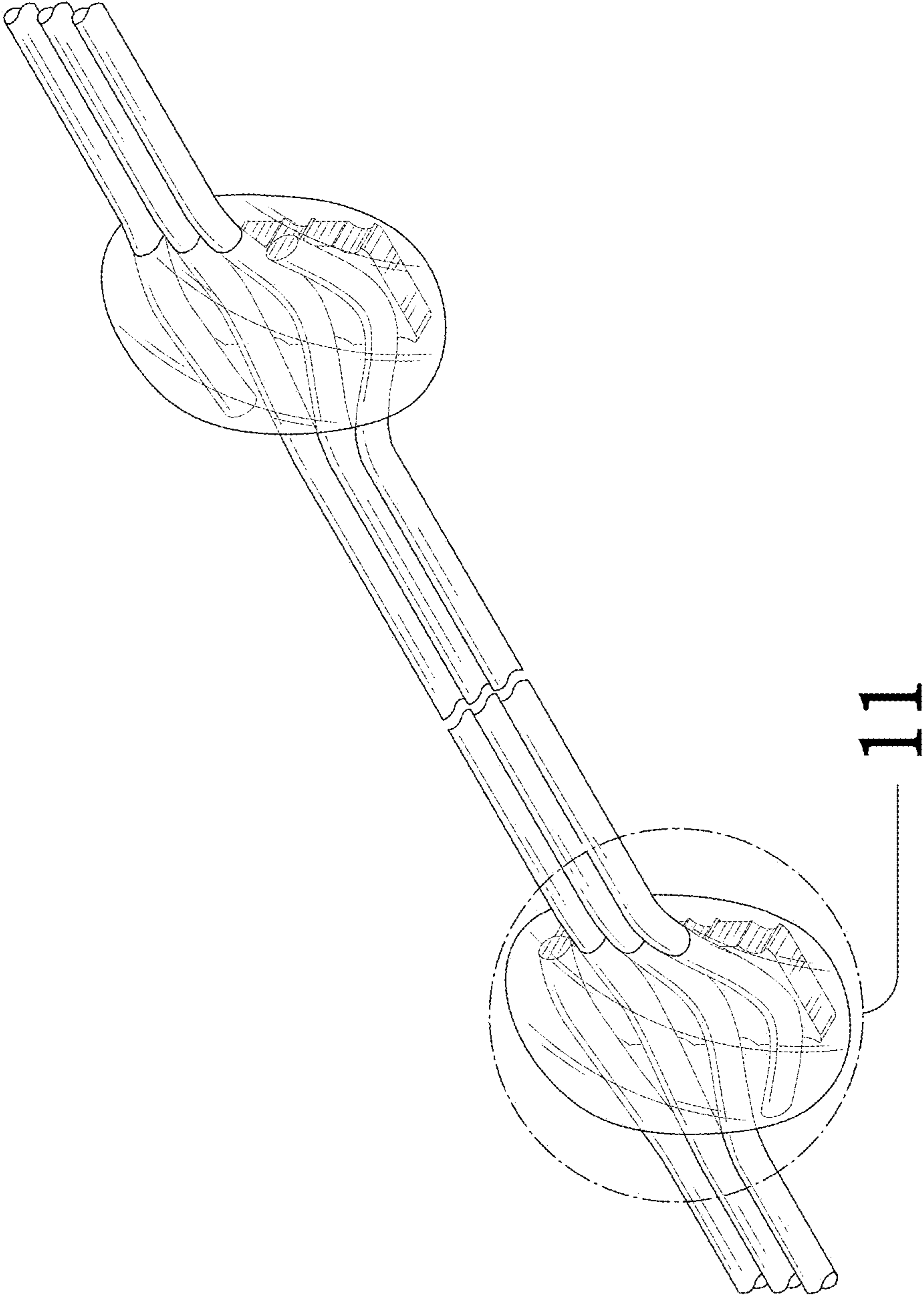


FIG.2

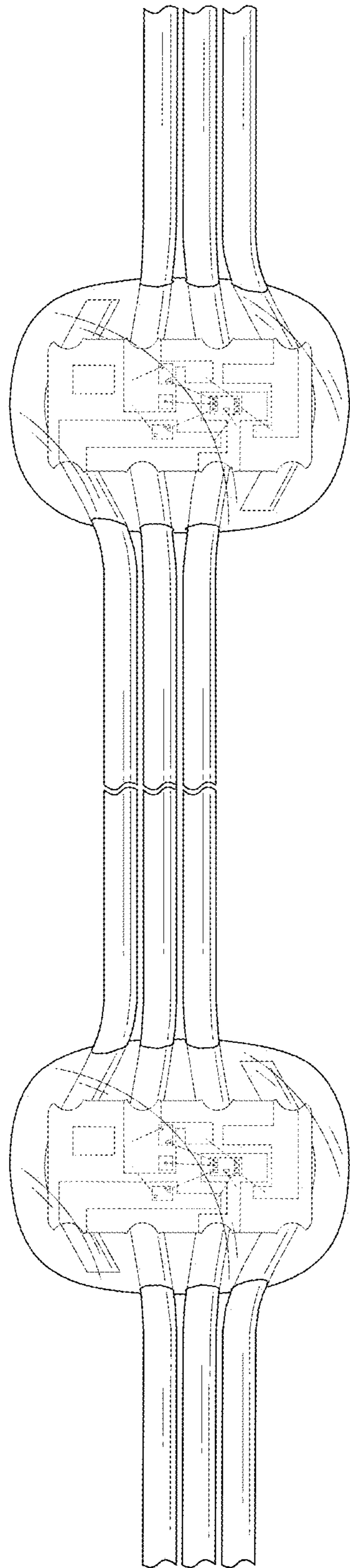


FIG.3

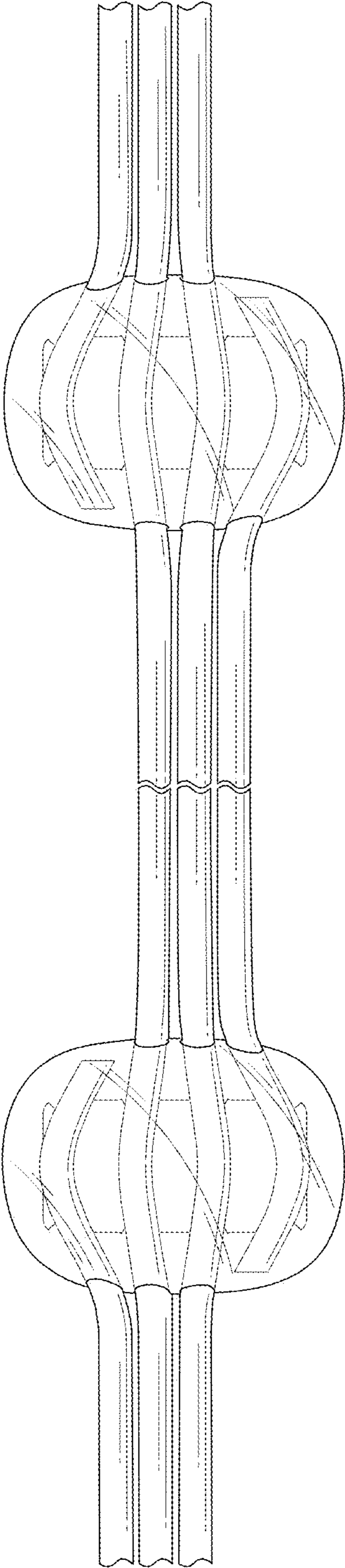


FIG.4

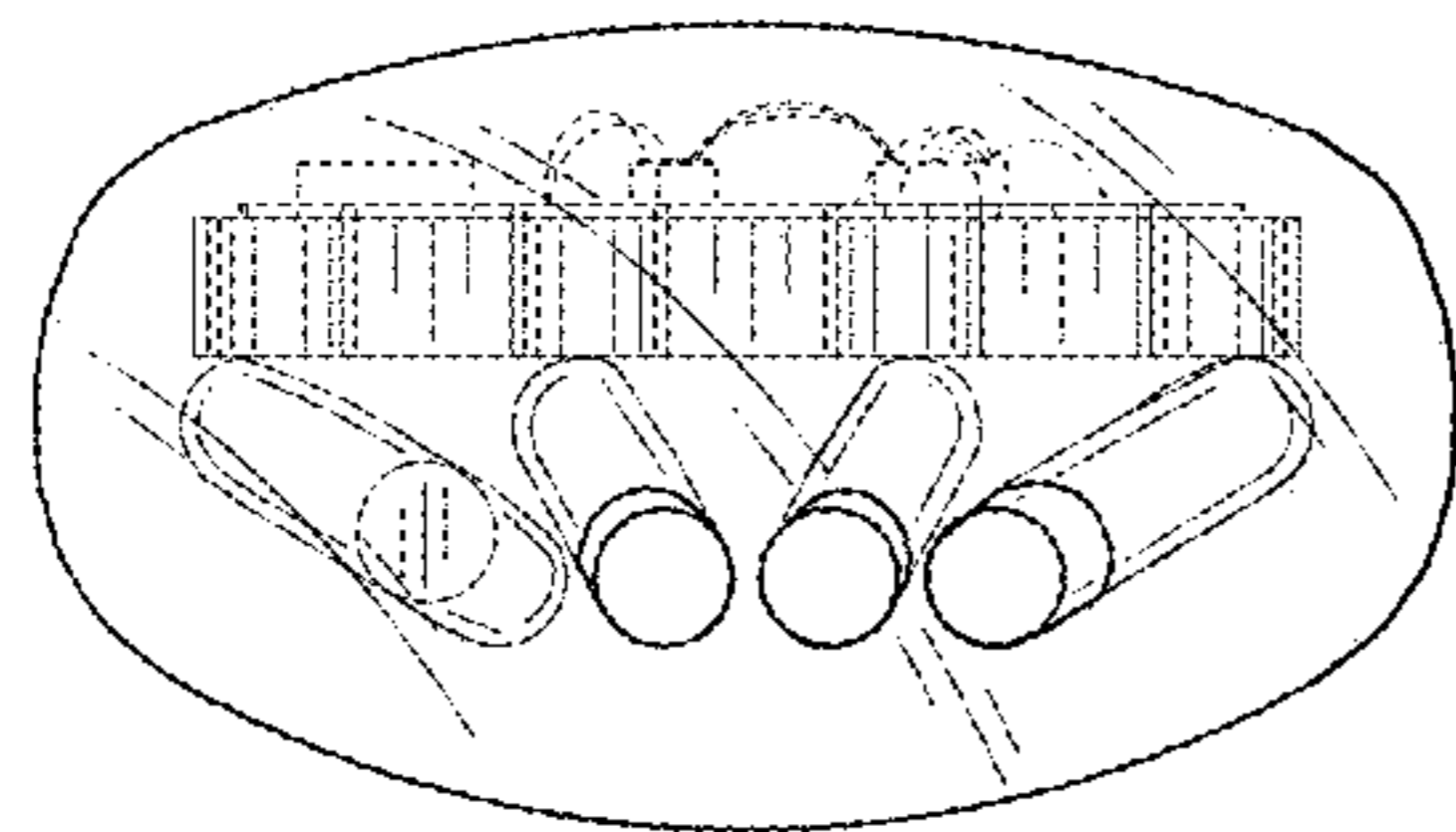


FIG. 5

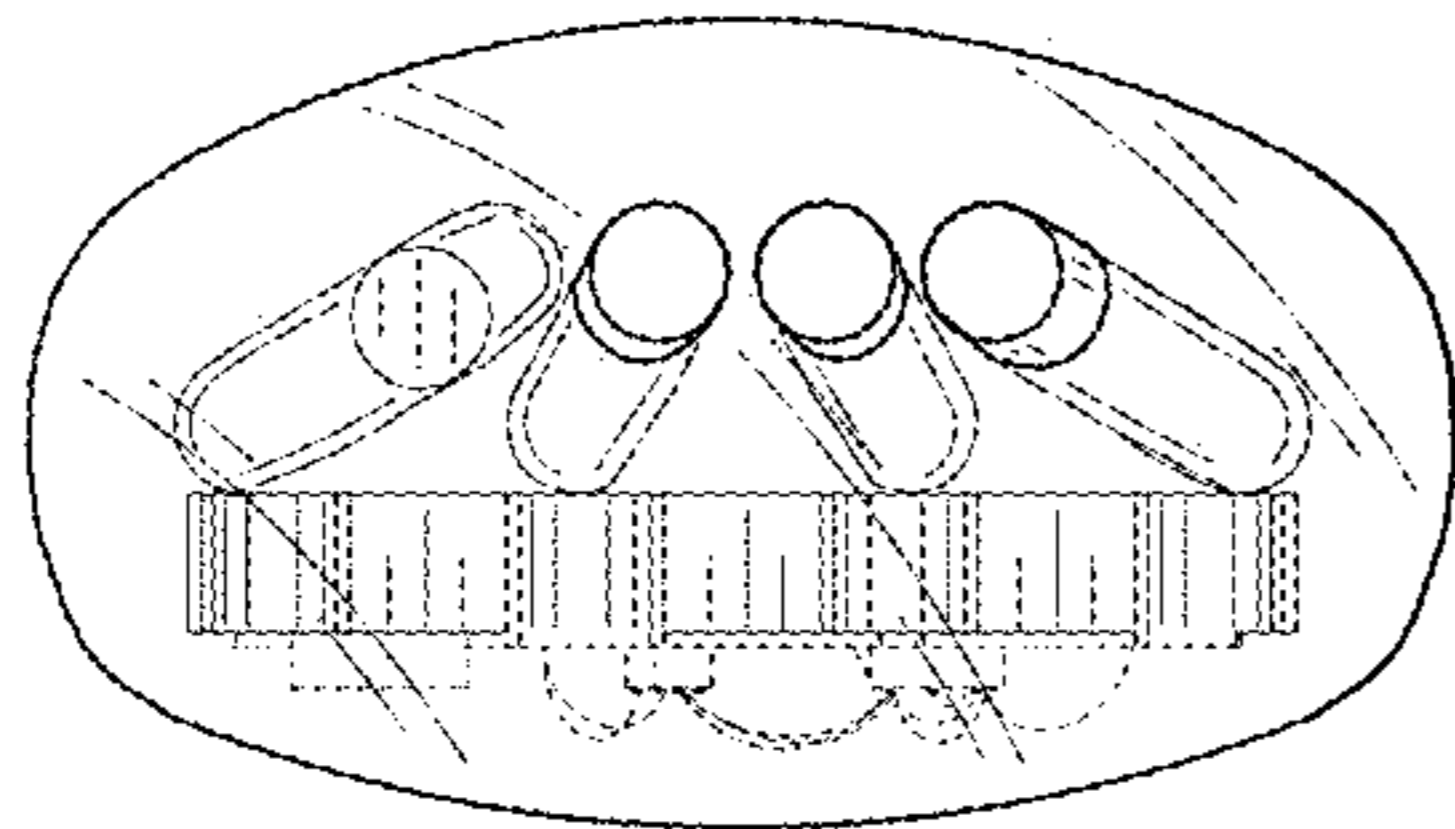


FIG.6

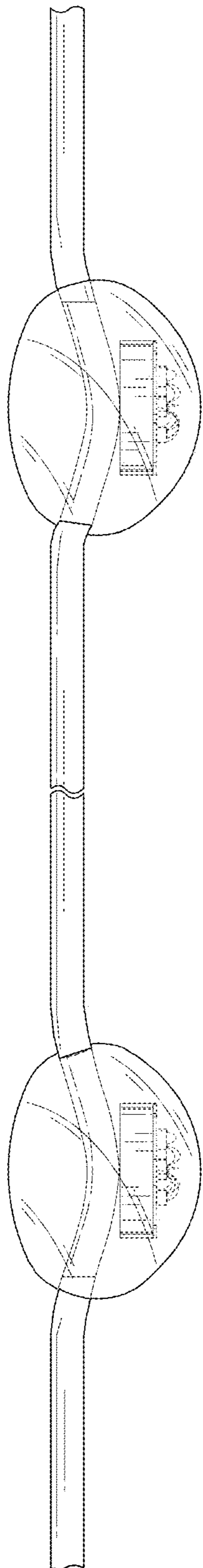


FIG.7

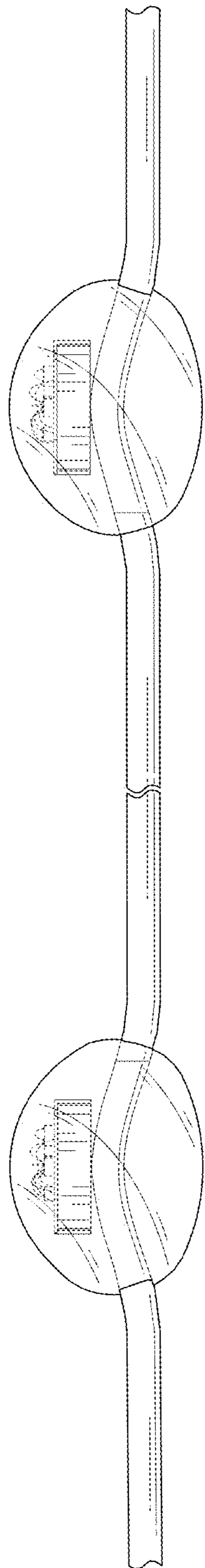


FIG.8

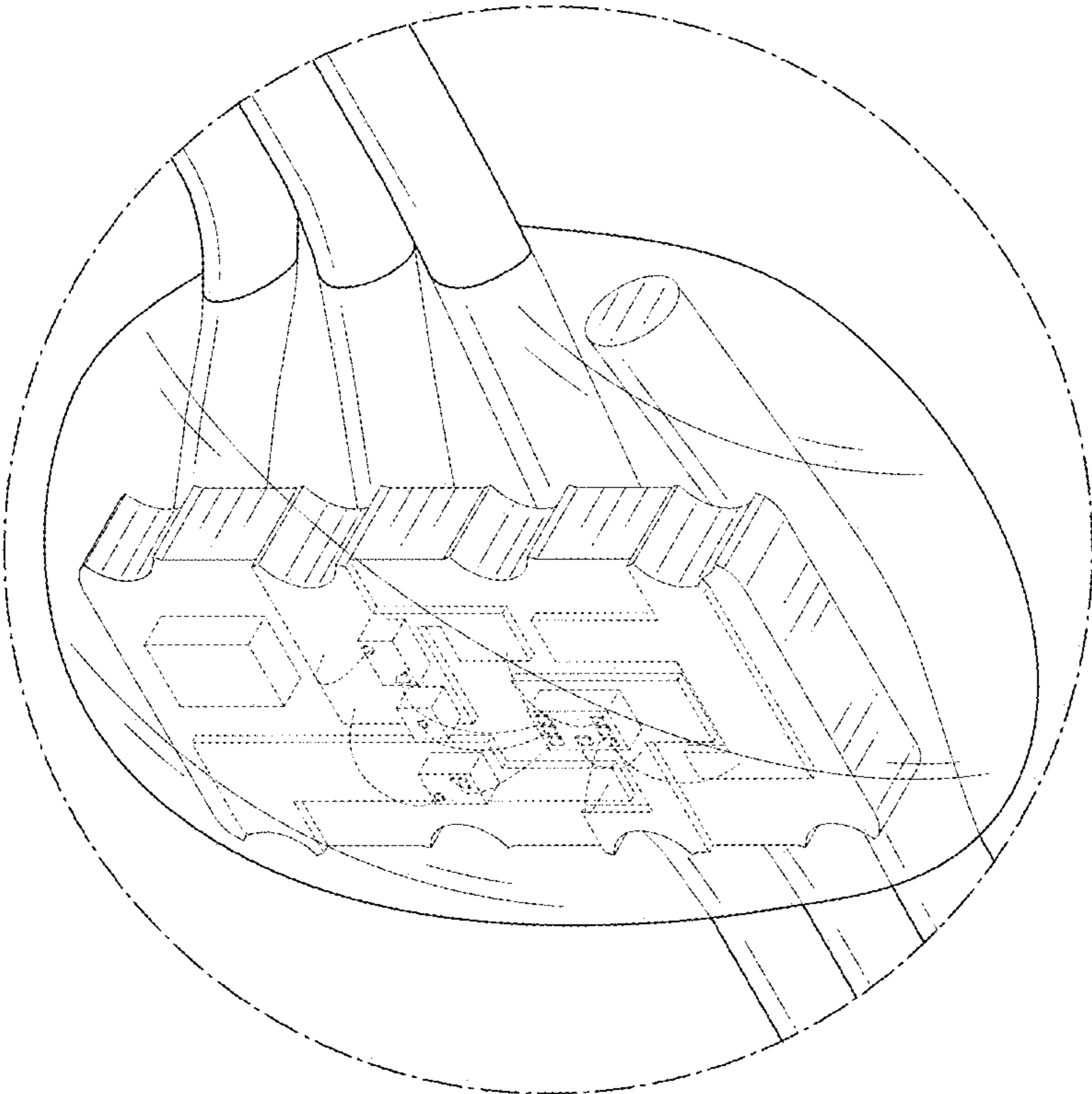


FIG.9

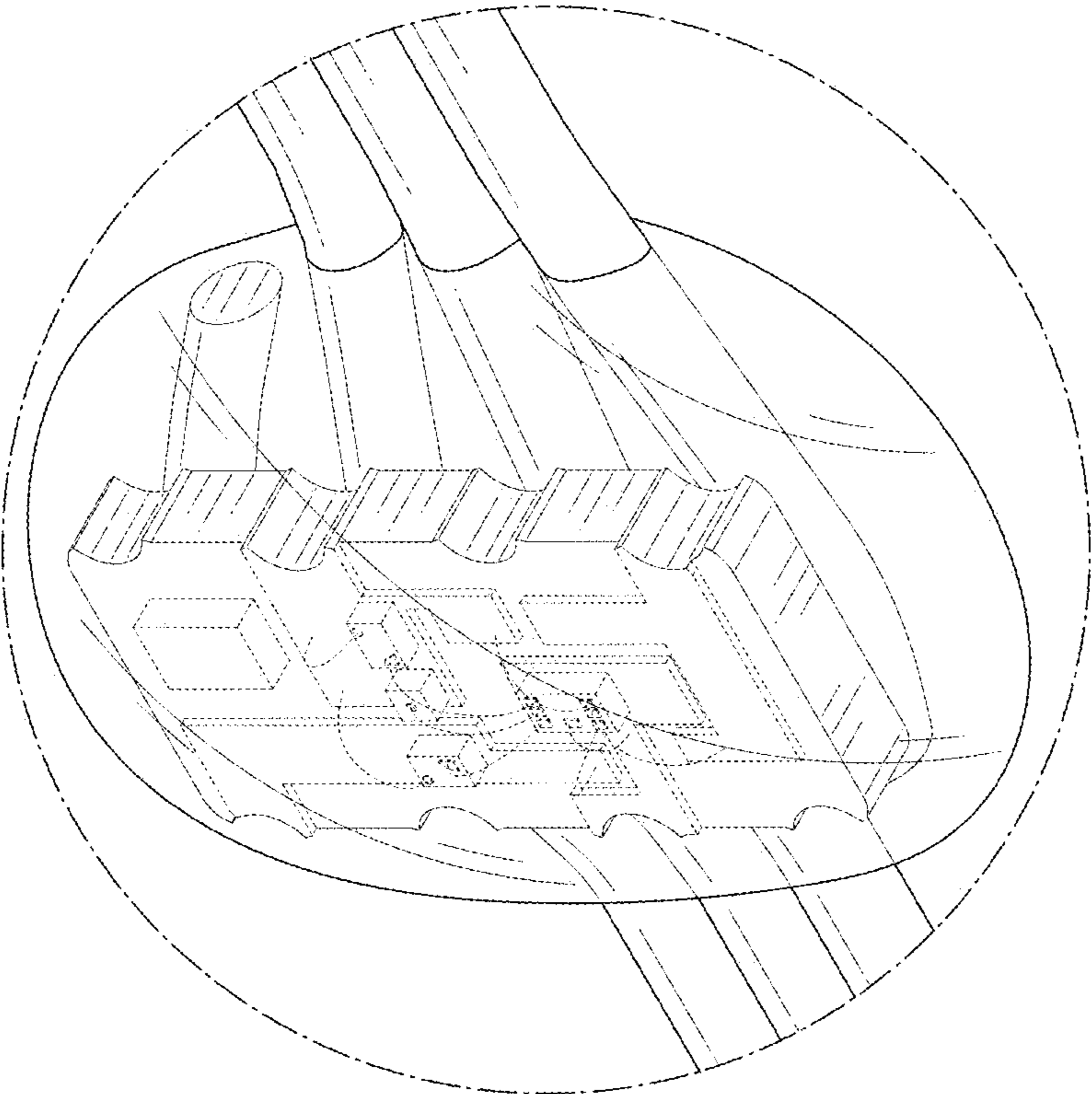


FIG.10

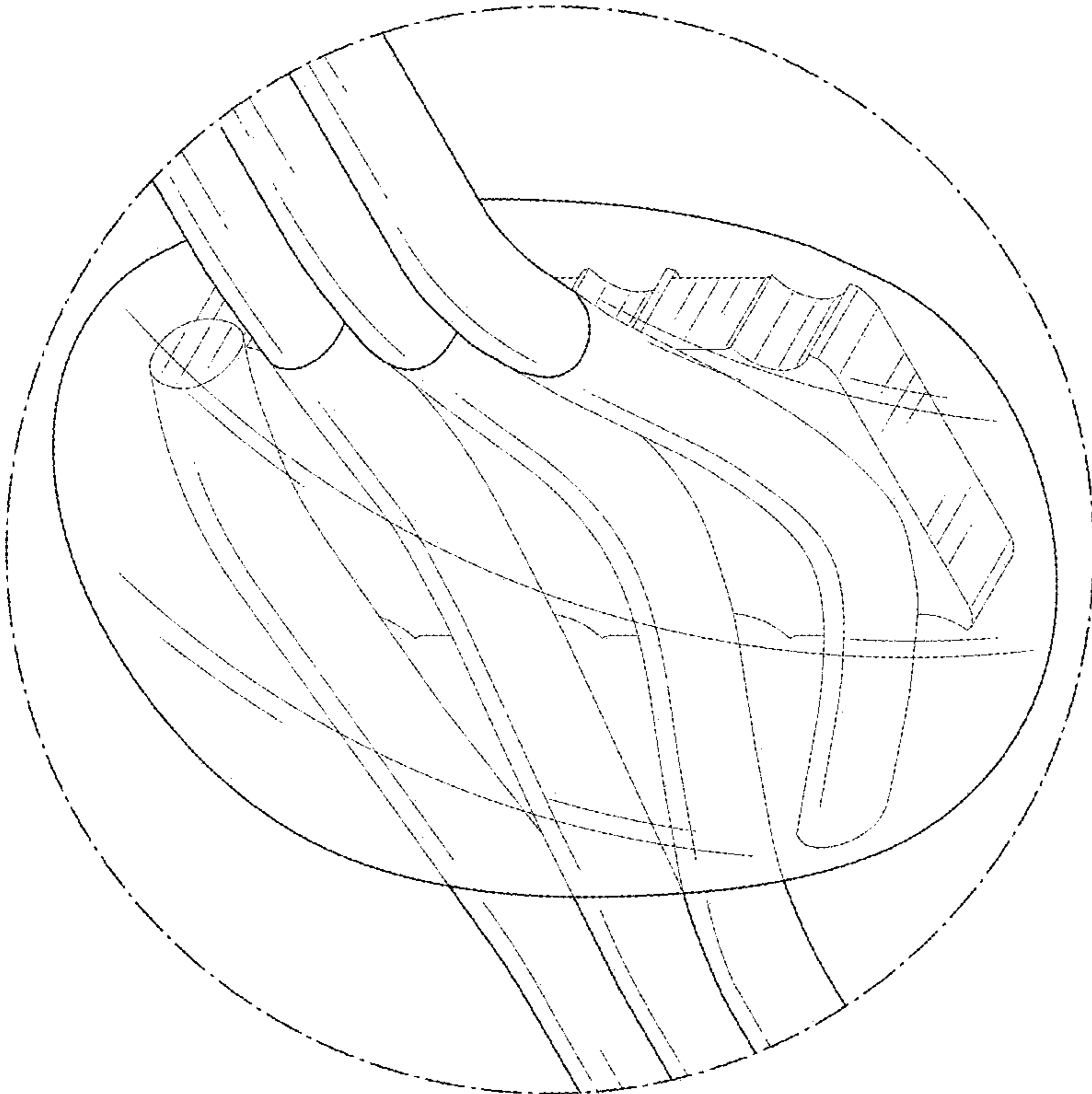


FIG.11