



US00D932668S

(12) **United States Design Patent** (10) **Patent No.:** **US D932,668 S**
Brenner et al. (45) **Date of Patent:** **** *Oct. 5, 2021**

(54) **SKATEBOARD WHEEL CANDLE**
(71) Applicants: **Albert Brenner**, Calabasas, CA (US);
Bryan Jordan, Calabasas, CA (US)
(72) Inventors: **Albert Brenner**, Calabasas, CA (US);
Bryan Jordan, Calabasas, CA (US)
(*) Notice: This patent is subject to a terminal disclaimer.
(**) Term: **15 Years**
(21) Appl. No.: **29/686,881**
(22) Filed: **Apr. 8, 2019**
(51) **LOC (13) Cl.** **26-04**
(52) **U.S. Cl.**
USPC **D26/6**
(58) **Field of Classification Search**
USPC D26/6-23; D21/763, 779; D12/583
CPC F21V 99/00; F21V 35/00; F21V 37/00;
C11C 5/008; C11C 5/00; Y10S 362/806;
F23D 3/08
See application file for complete search history.

D544,726 S * 6/2007 Cauley D6/674
D605,788 S * 12/2009 Ritzenhoff D26/9
D637,741 S * 5/2011 Horezniak D26/6
8,210,549 B1 * 7/2012 Swenson A63C 17/012
280/87.042
D672,891 S * 12/2012 McLaren D26/6
D718,501 S * 11/2014 Byrne D30/160
D762,159 S * 7/2016 Kristen D12/583
D766,127 S * 9/2016 Siegel D11/152
D769,148 S * 10/2016 Siegel D11/152
D814,345 S * 4/2018 Siegel D11/152
D835,741 S * 12/2018 Merz D21/779
D887,305 S * 6/2020 Siegel D11/152
2007/0138858 A1 * 6/2007 Burwell A63C 17/22
301/5.301

* cited by examiner

Primary Examiner — Marcus A Jackson

(74) *Attorney, Agent, or Firm* — Kevin Keener; Stephen Presutti

(57) **CLAIM**

The ornamental design for a skateboard wheel candle, as shown and described.

DESCRIPTION

FIG. 1 is a perspective view of a skateboard wheel candle showing our new design;
FIG. 2 is a side elevation view thereof;
FIG. 3 is a top plan view thereof;
FIG. 4 is a bottom plan view thereof; and,
FIG. 5 is a sectional view, taken along line 5-5 of FIG. 3 thereof.

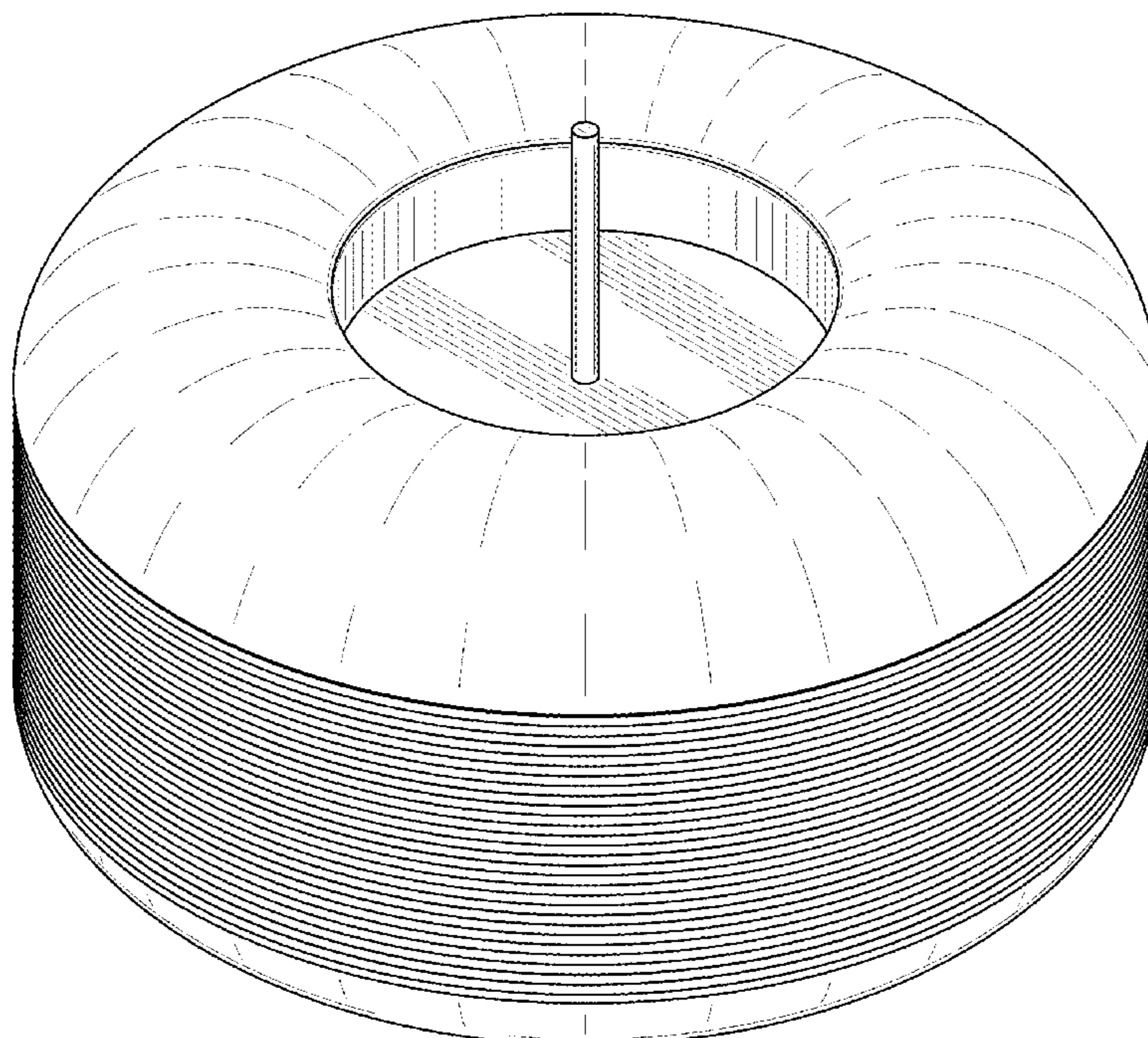
The broken lines in the drawings showing the skateboard wheel candle illustrate the portions of the wheel candle that form no part of the claimed design.

1 Claim, 5 Drawing Sheets

(56) **References Cited**

U.S. PATENT DOCUMENTS

D199,554 S * 11/1964 Jones D12/583
D299,733 S * 2/1989 Taminich D21/779
D321,566 S * 11/1991 Hoelterscheidt D26/9
D386,446 S * 11/1997 Favish D11/131
D426,326 S * 6/2000 Dearth D26/7
D439,682 S * 3/2001 Murdick D26/7
D450,861 S * 11/2001 Murdick D26/7
D489,110 S * 4/2004 Carlson D21/779
D496,474 S * 9/2004 Murdick D26/7



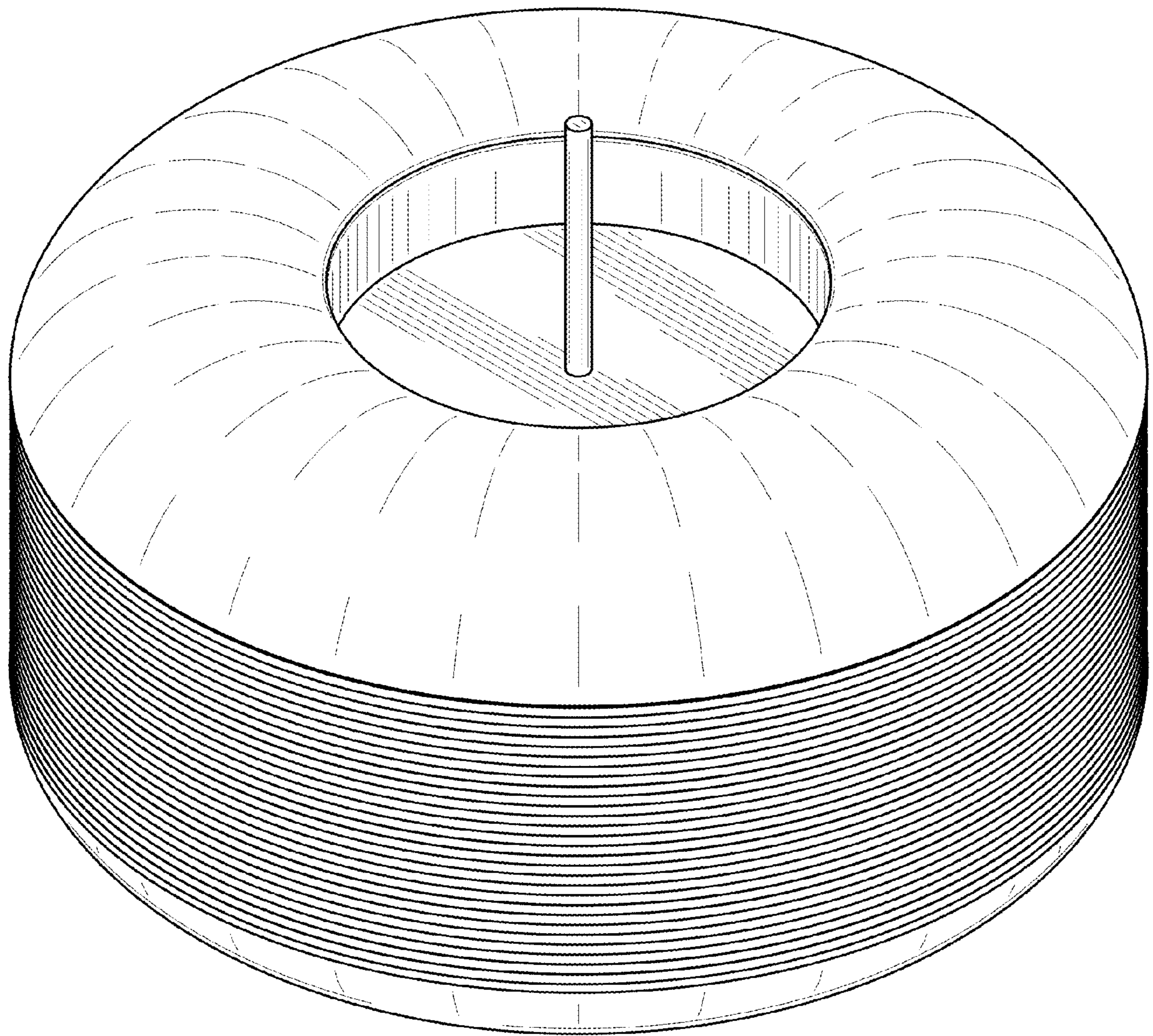


FIG. 1

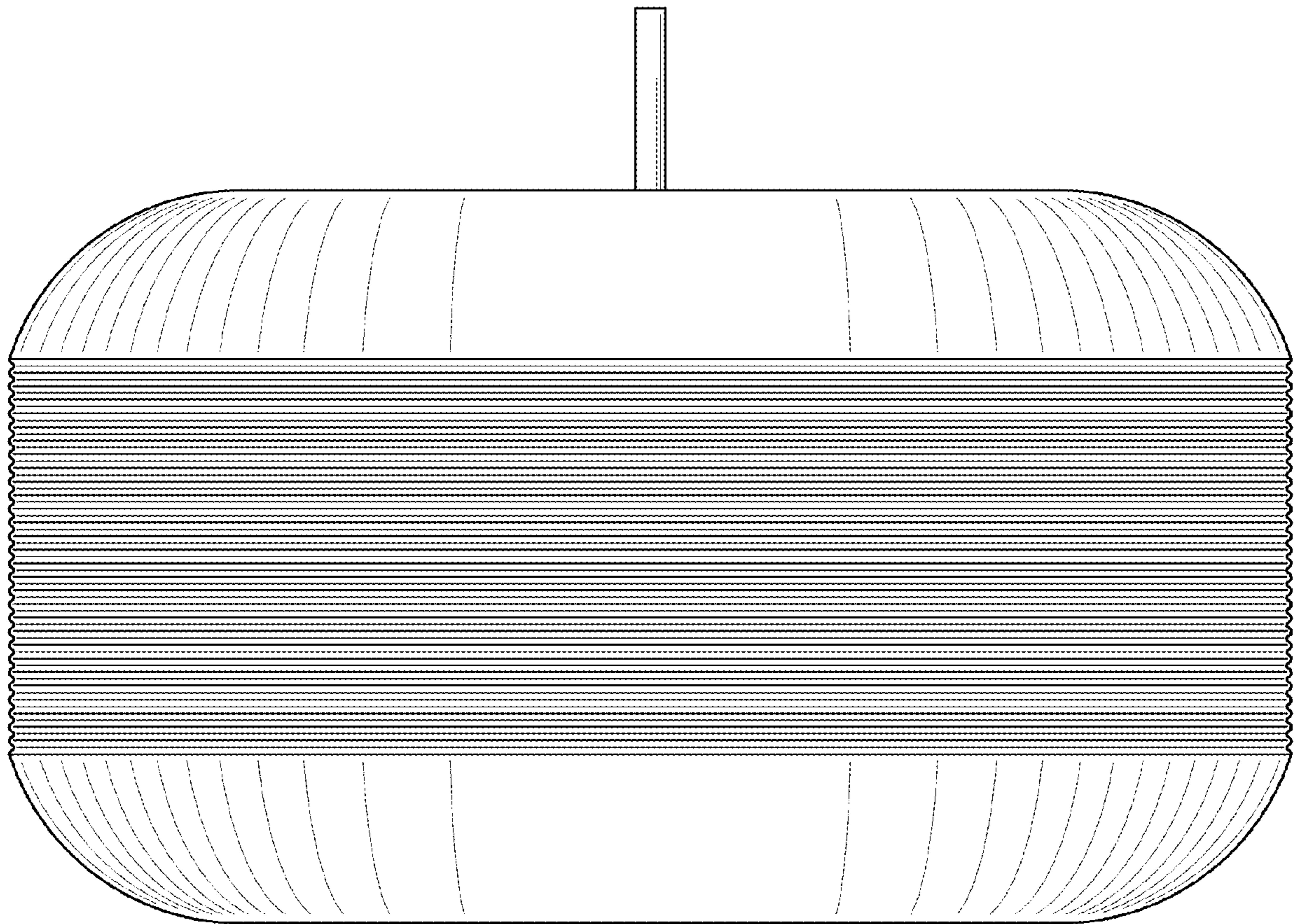


FIG. 2

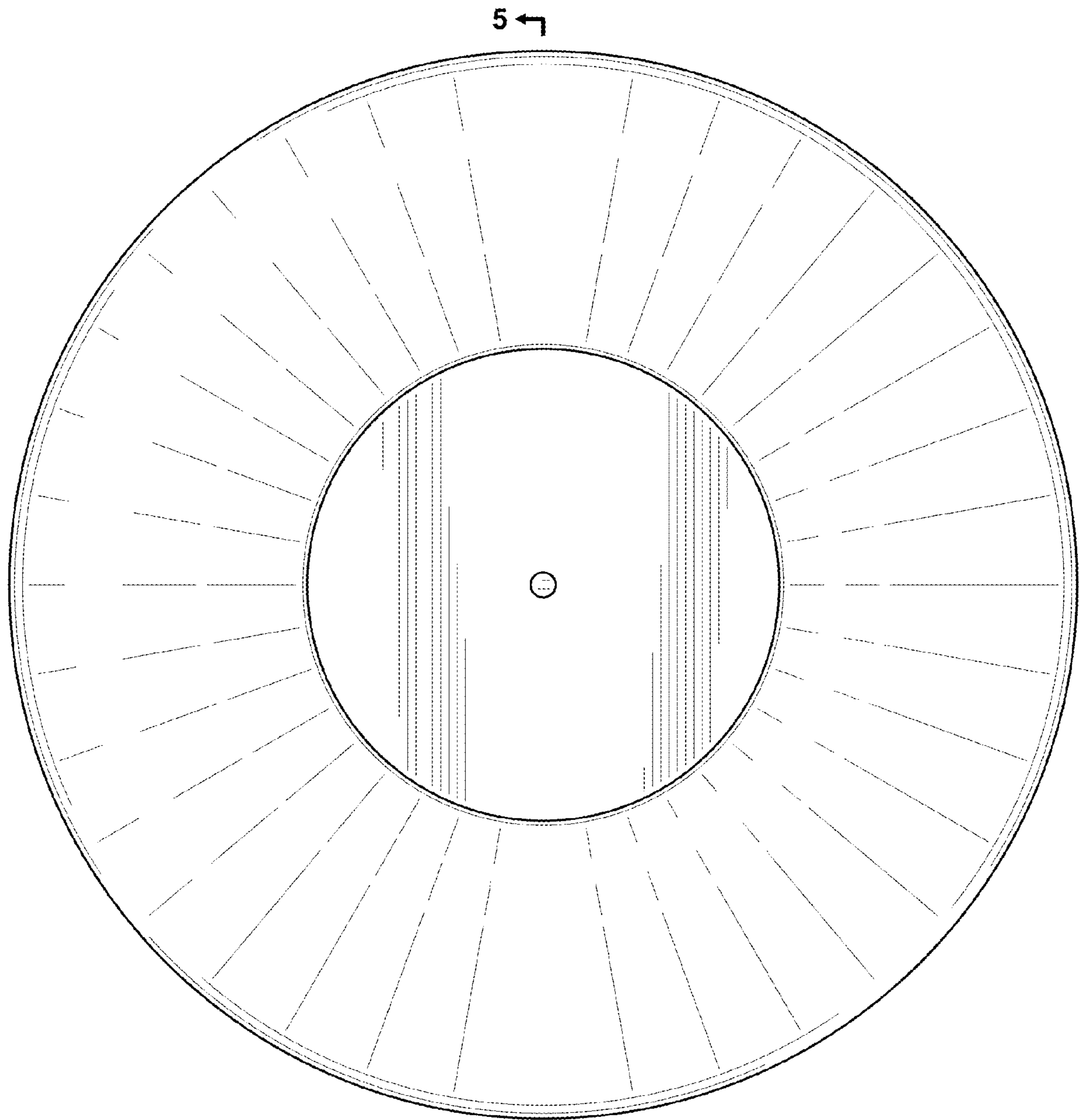


FIG. 3

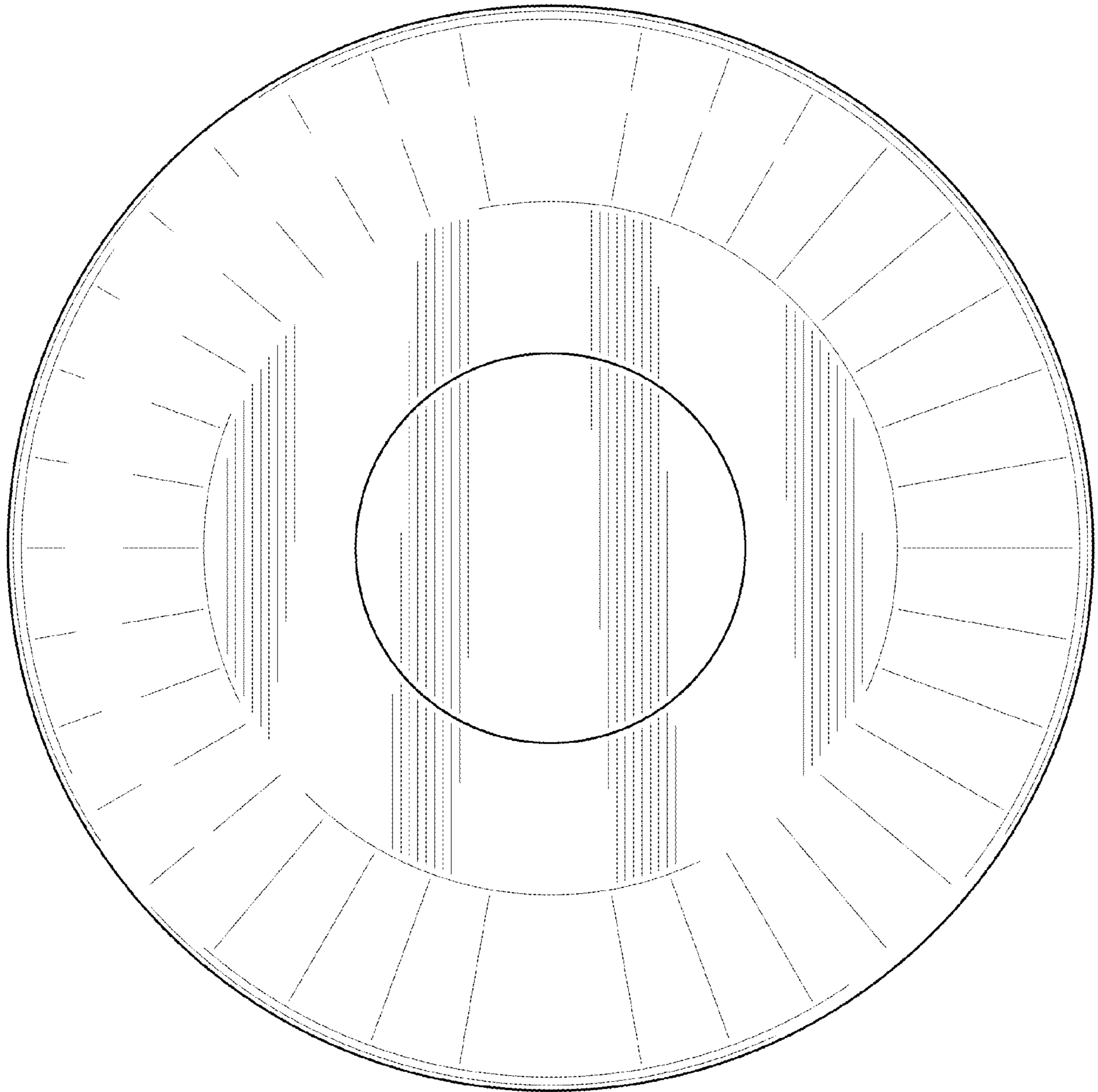


FIG. 4

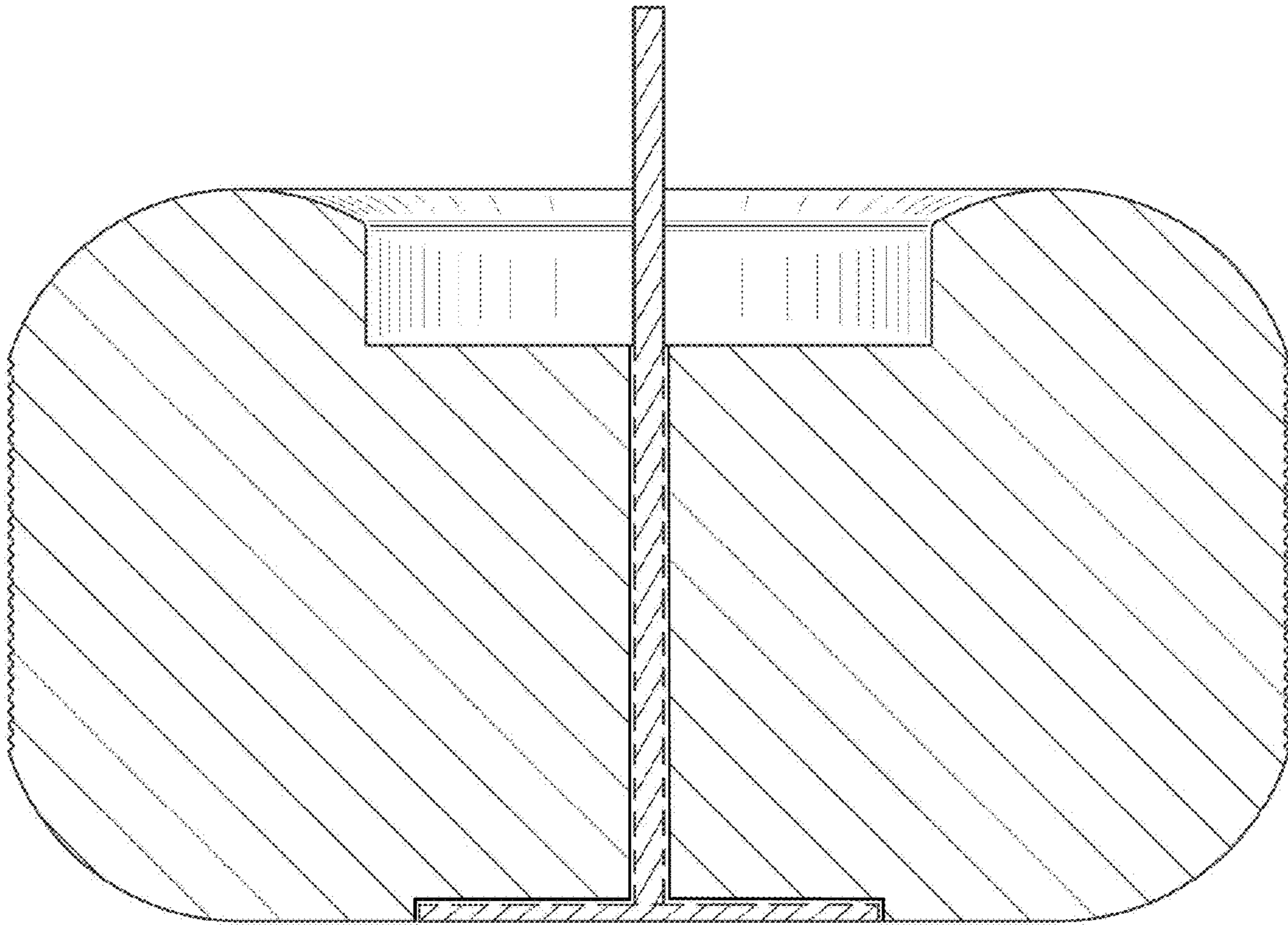


FIG. 5