



US00D932667S

(12) **United States Design Patent** (10) **Patent No.:** **US D932,667 S**  
**Wang** (45) **Date of Patent:** **\*\* Oct. 5, 2021**

(54) **LAMP BULB**

(56) **References Cited**

(71) Applicant: **SHENZHEN APEMAN INNOVATIONS TECHNOLOGY CO., LTD.**, Shenzhen (CN)

(72) Inventor: **Yuanhui Wang**, Shenzhen (CN)

(73) Assignee: **SHENZHEN APEMAN INNOVATIONS TECHNOLOGY CO., LTD.**, Shenzhen (CN)

(\*\*) Term: **15 Years**

(21) Appl. No.: **29/758,845**

(22) Filed: **Nov. 18, 2020**

(51) **LOC (13) Cl.** ..... **26-04**

(52) **U.S. Cl.**  
USPC ..... **D26/3**

(58) **Field of Classification Search**  
USPC ..... D26/1-11  
CPC ..... H01R 5/00; H01R 13/46; H01R 13/514;  
H01R 31/02; H01R 31/048; H01J 5/00;  
H01J 1/02; H01J 5/16; H01J 15/00; H01J  
5/48; H01J 5/50; H01J 19/54; F21V 5/00;  
F21K 9/00; F21K 13/00

See application file for complete search history.

U.S. PATENT DOCUMENTS

D479,887 S *	9/2003	Kakuno	.....	D26/3
D543,645 S *	5/2007	Hawass	.....	D26/3
D549,362 S *	8/2007	To	.....	D26/3
D560,288 S *	1/2008	Itaya	.....	D26/3
D577,133 S *	9/2008	Xu	.....	D26/3
D695,430 S	12/2013	Chen		
D721,446 S	1/2015	Carroll et al.		

\* cited by examiner

*Primary Examiner* — Marcus A Jackson

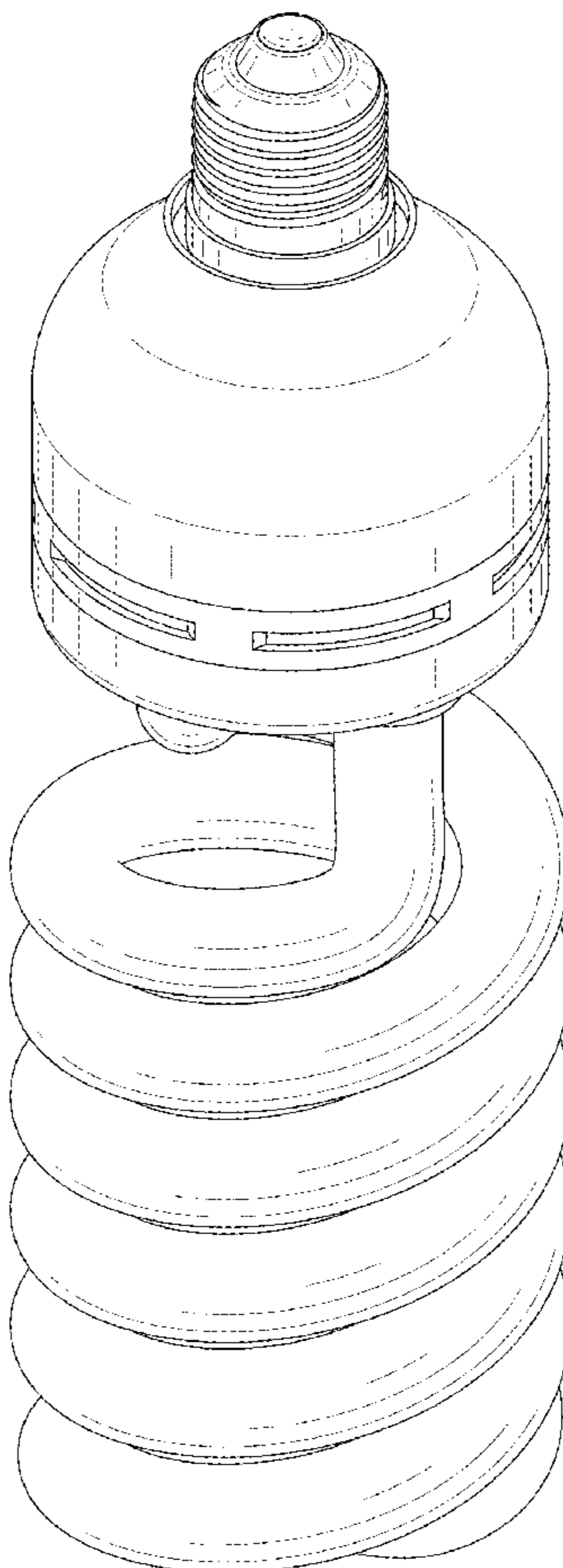
(57) **CLAIM**

The ornamental design for a lamp bulb, as shown and described.

**DESCRIPTION**

FIG. 1 is a perspective view of a lamp bulb showing my new design;  
FIG. 2 is another perspective view thereof;  
FIG. 3 is a front elevational view thereof;  
FIG. 4 is a rear elevational view thereof;  
FIG. 5 is a left side elevational view thereof;  
FIG. 6 is a right side elevational view thereof;  
FIG. 7 is a top plan view thereof; and,  
FIG. 8 is a bottom plan view thereof.

**1 Claim, 8 Drawing Sheets**



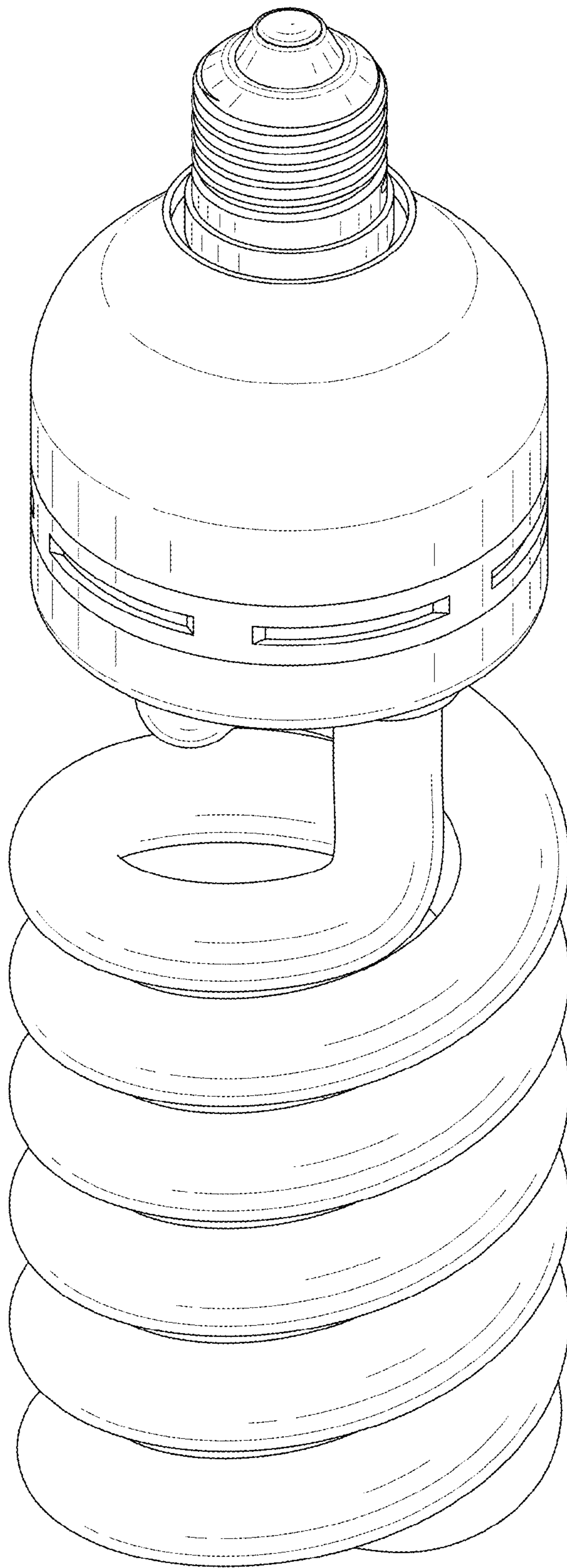


FIG. 1

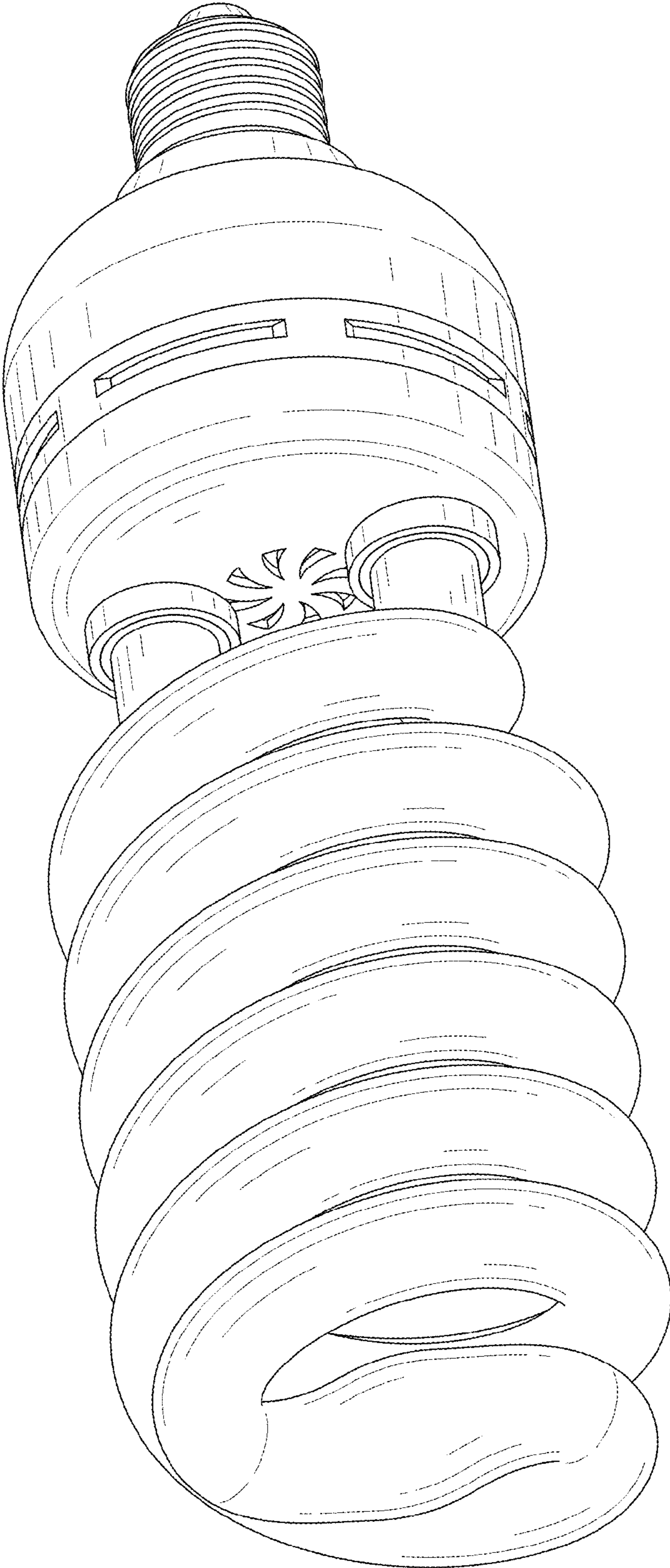


FIG. 2

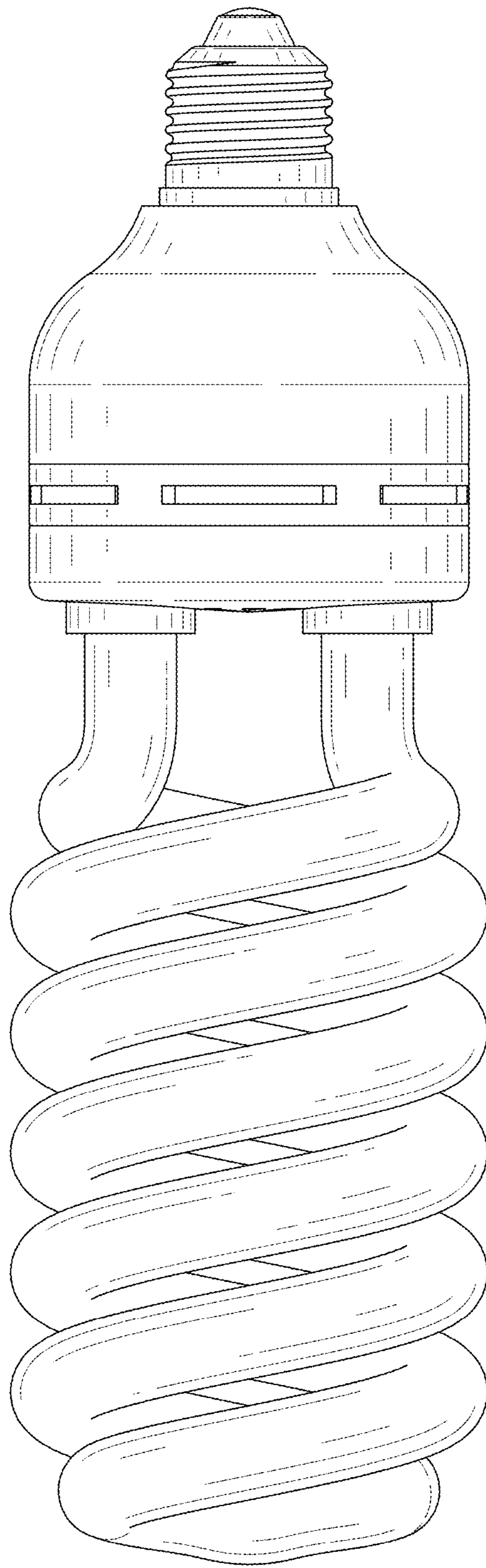


FIG. 3

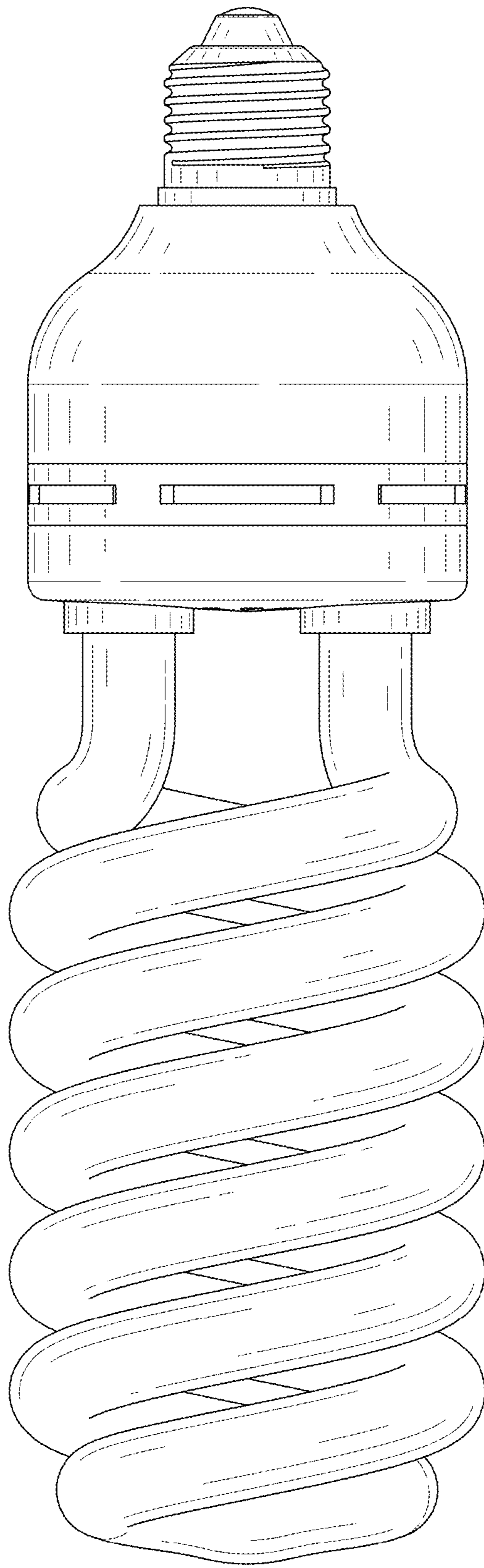


FIG. 4

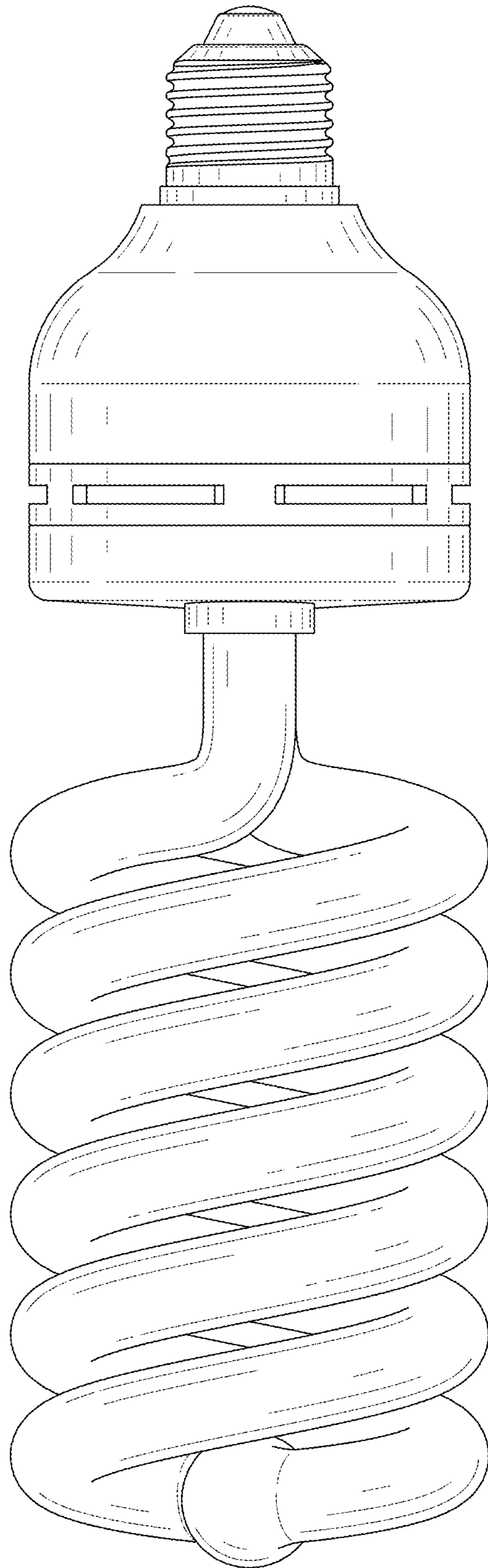


FIG. 5

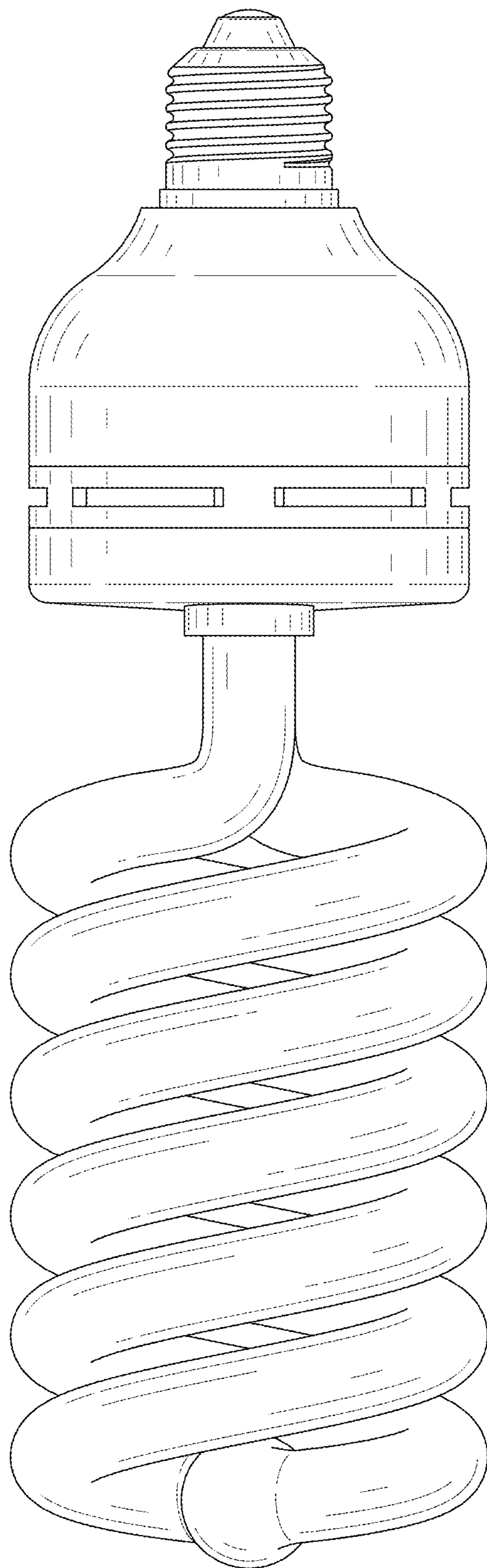


FIG. 6

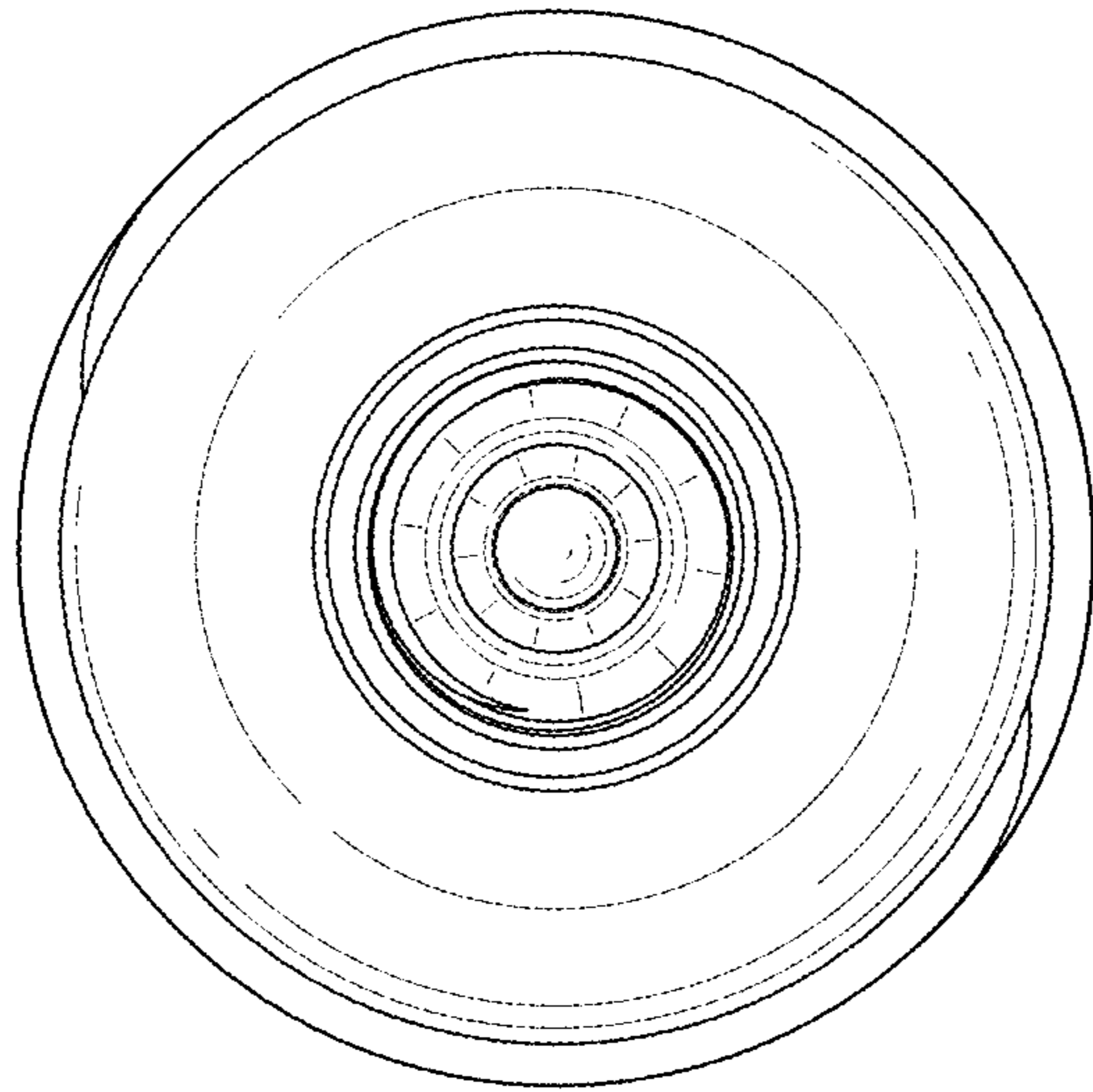


FIG. 7



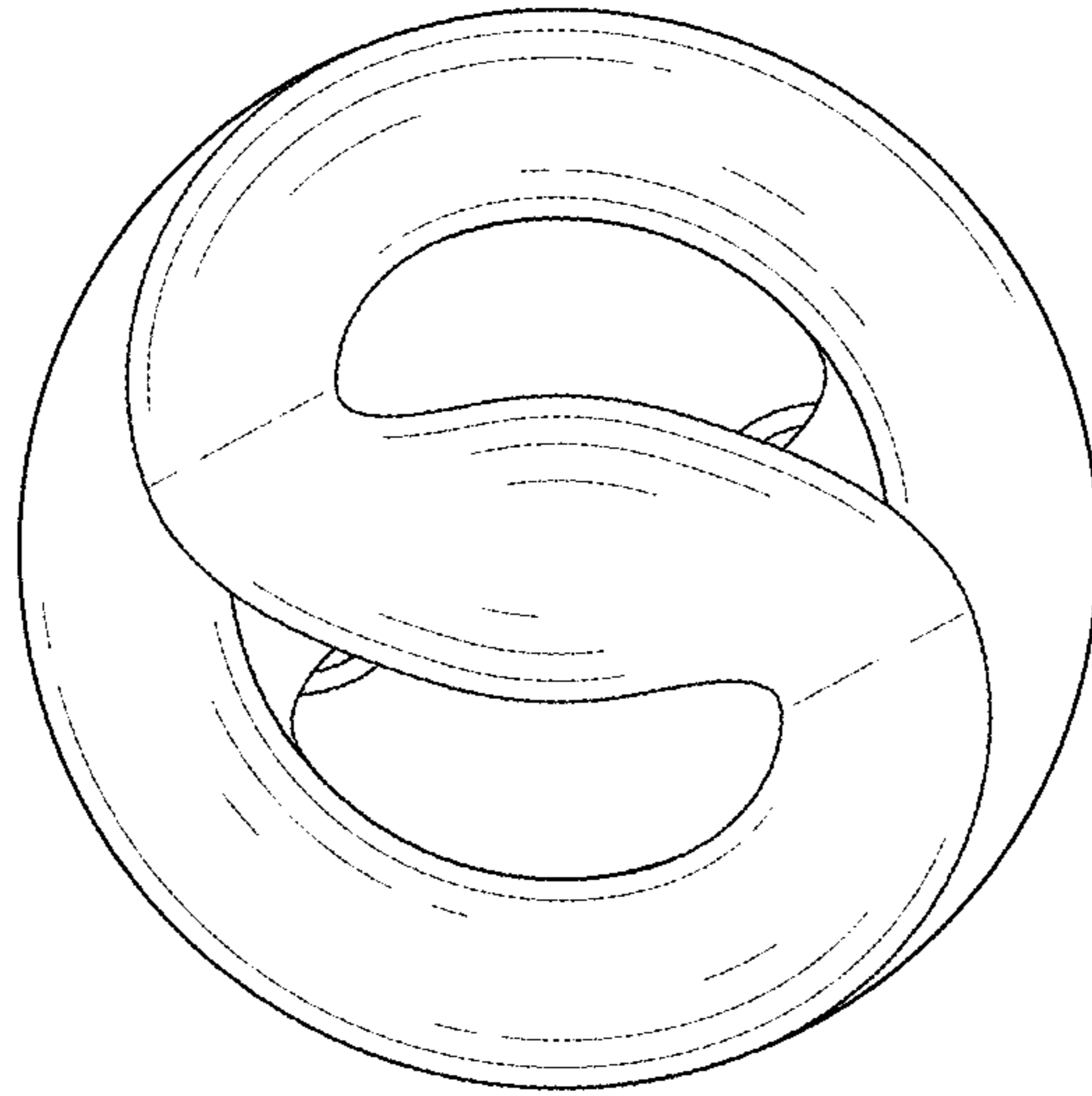


FIG. 8