



US00D932665S

(12) **United States Design Patent**
Shih

(10) **Patent No.:** **US D932,665 S**

(45) **Date of Patent:** **** Oct. 5, 2021**

(54) **LED LIGHT**

(71) Applicant: **Jen-Chieh Shih**, Changhua (TW)

(72) Inventor: **Jen-Chieh Shih**, Changhua (TW)

(**) Term: **15 Years**

(21) Appl. No.: **29/732,145**

(22) Filed: **Apr. 22, 2020**

(51) **LOC (13) Cl.** **26-04**

(52) **U.S. Cl.**
USPC **D26/2**

(58) **Field of Classification Search**
USPC D26/1-11
CPC H01R 5/00; H01R 13/46; H01R 13/514;
H01R 31/048; H01R 31/02; H01J 5/00;
H01J 5/16; H01J 1/02; H01J 15/00; H01J
5/48; H01J 5/50; H01J 19/54; F21V 5/00;
F21K 9/00; F21K 13/00
See application file for complete search history.

(56) **References Cited**

U.S. PATENT DOCUMENTS

D532,532 S * 11/2006 Maxik D26/2
D553,265 S * 10/2007 Maxik D26/2

D553,266 S * 10/2007 Maxik D26/2
D566,300 S * 4/2008 Lo D26/2
D584,838 S * 1/2009 To D26/2
D596,764 S * 7/2009 Yang D26/2
D620,154 S * 7/2010 Wang D26/2

* cited by examiner

Primary Examiner — Marcus A Jackson

(74) *Attorney, Agent, or Firm* — Leong C. Lei

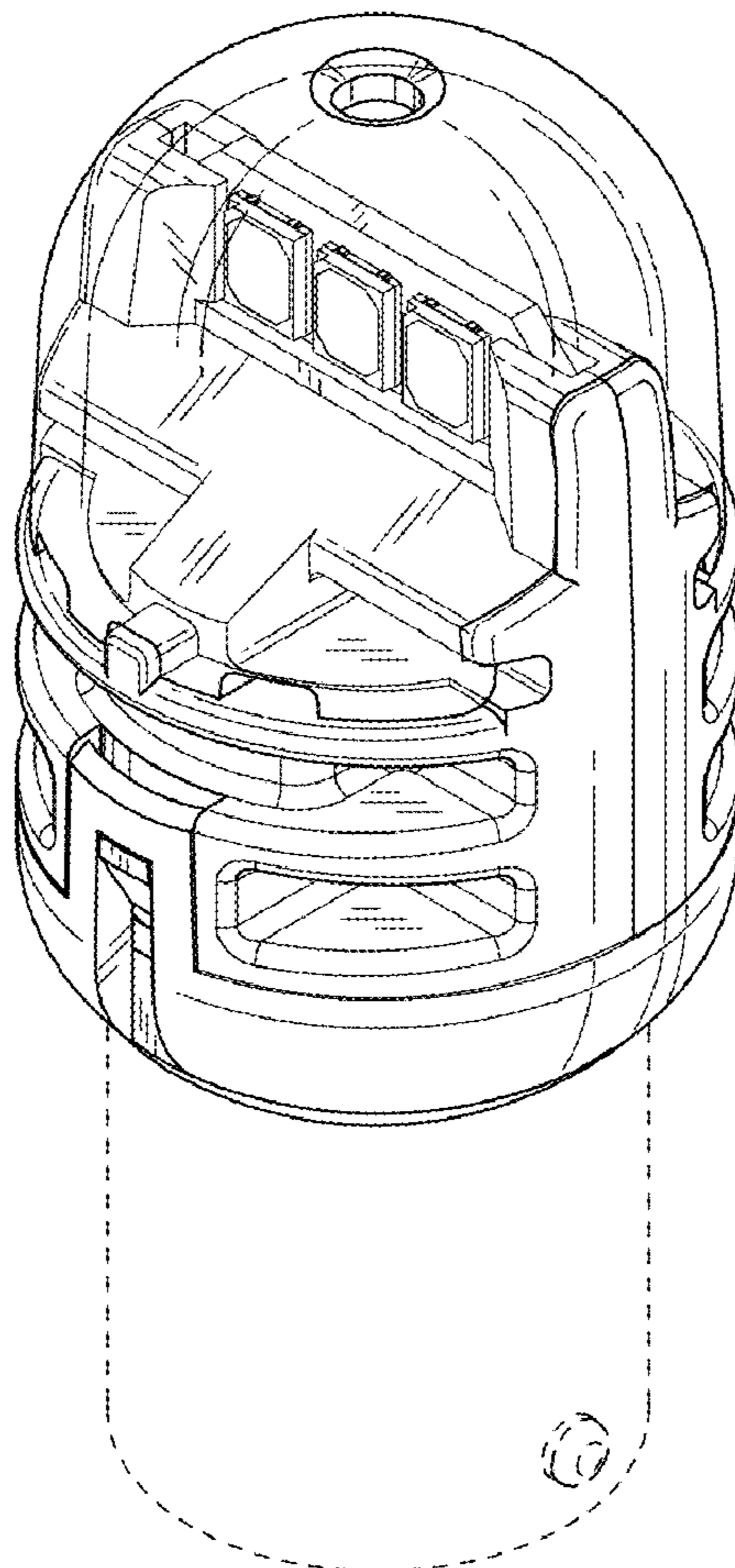
(57) **CLAIM**

The ornamental design for a LED light, as shown and described.

DESCRIPTION

FIG. 1 is a perspective view of a LED light showing my new design;
FIG. 2 is a front elevational view thereof;
FIG. 3 is a rear elevational view thereof;
FIG. 4 is a left side elevational view thereof;
FIG. 5 is a right side elevational view thereof;
FIG. 6 is a top plan view thereof;
FIG. 7 is a bottom plan view thereof; and,
FIG. 8 is another perspective view thereof.
The portions shown in broken lines form no part of the claimed design.

1 Claim, 8 Drawing Sheets



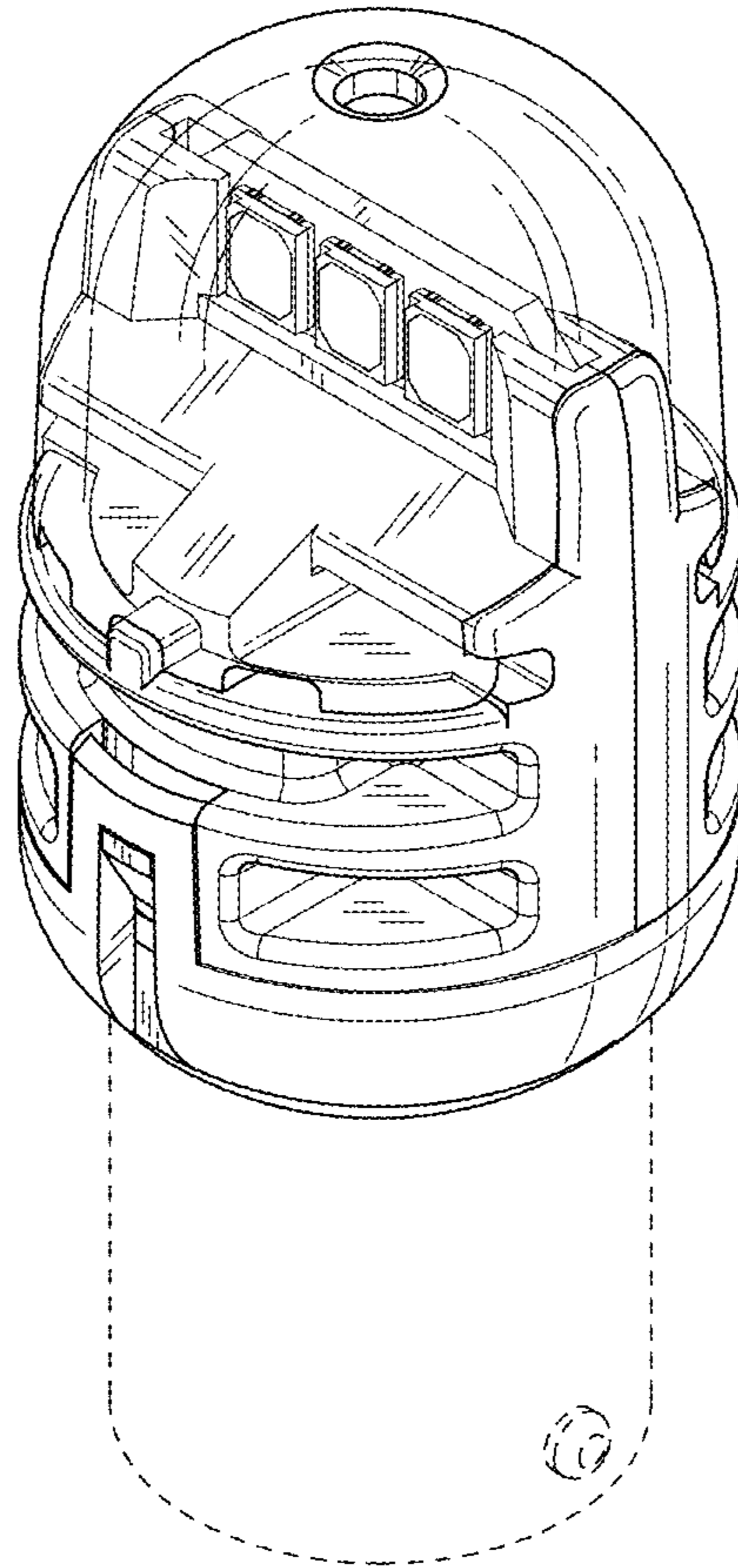


FIG. 1

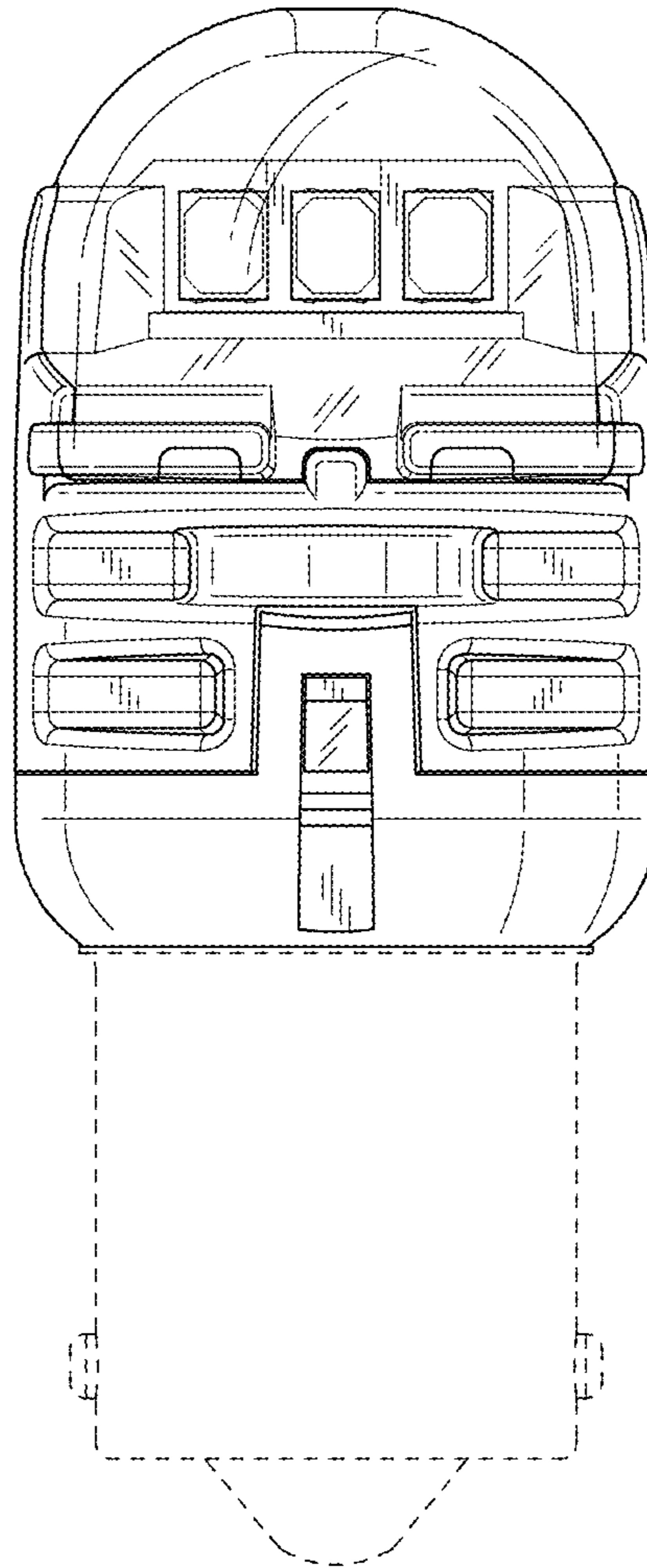


FIG. 2

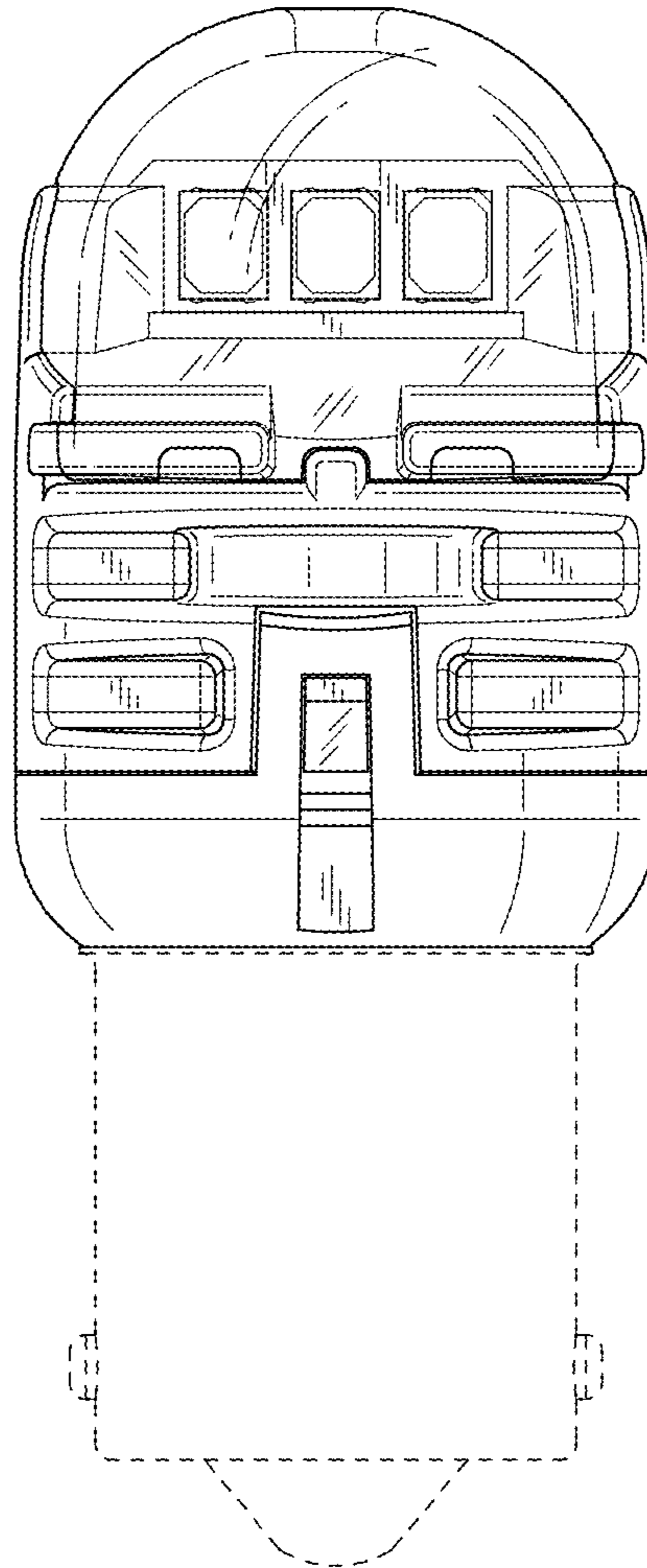


FIG. 3

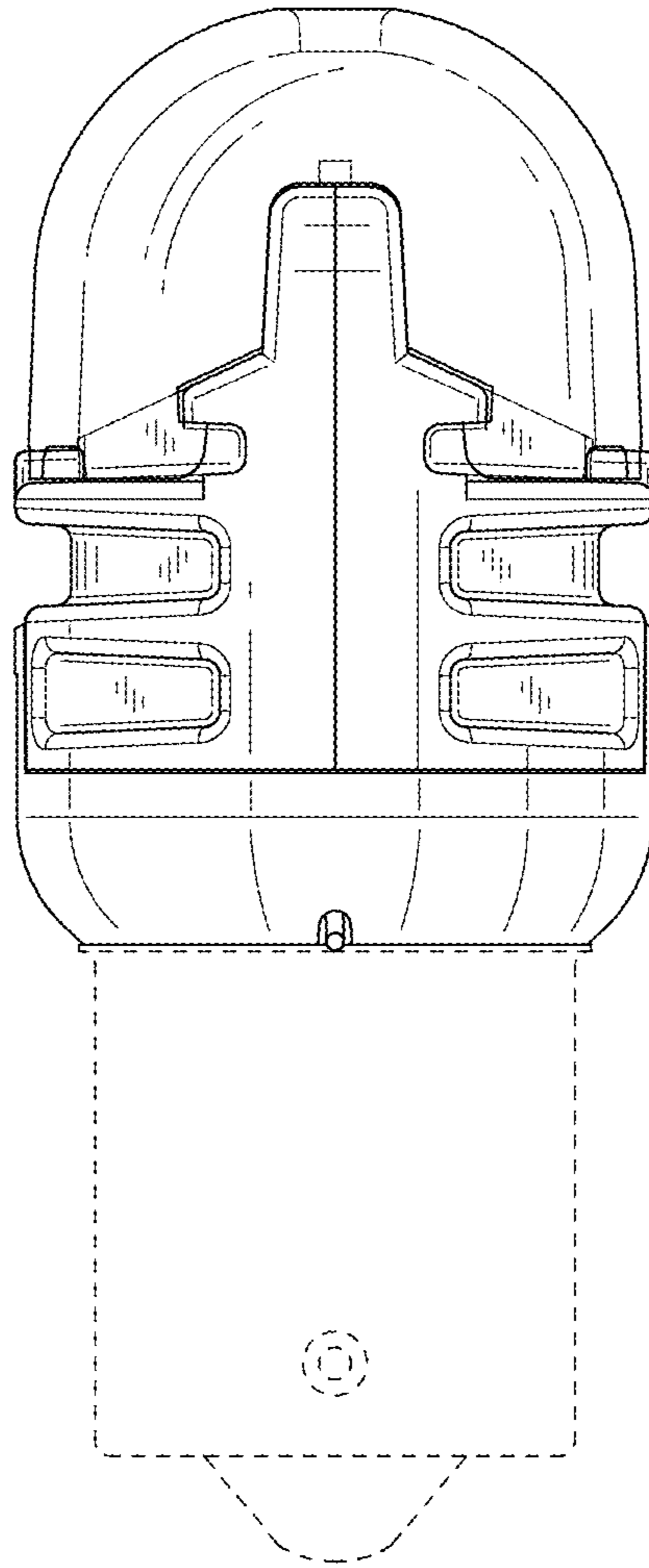


FIG. 4

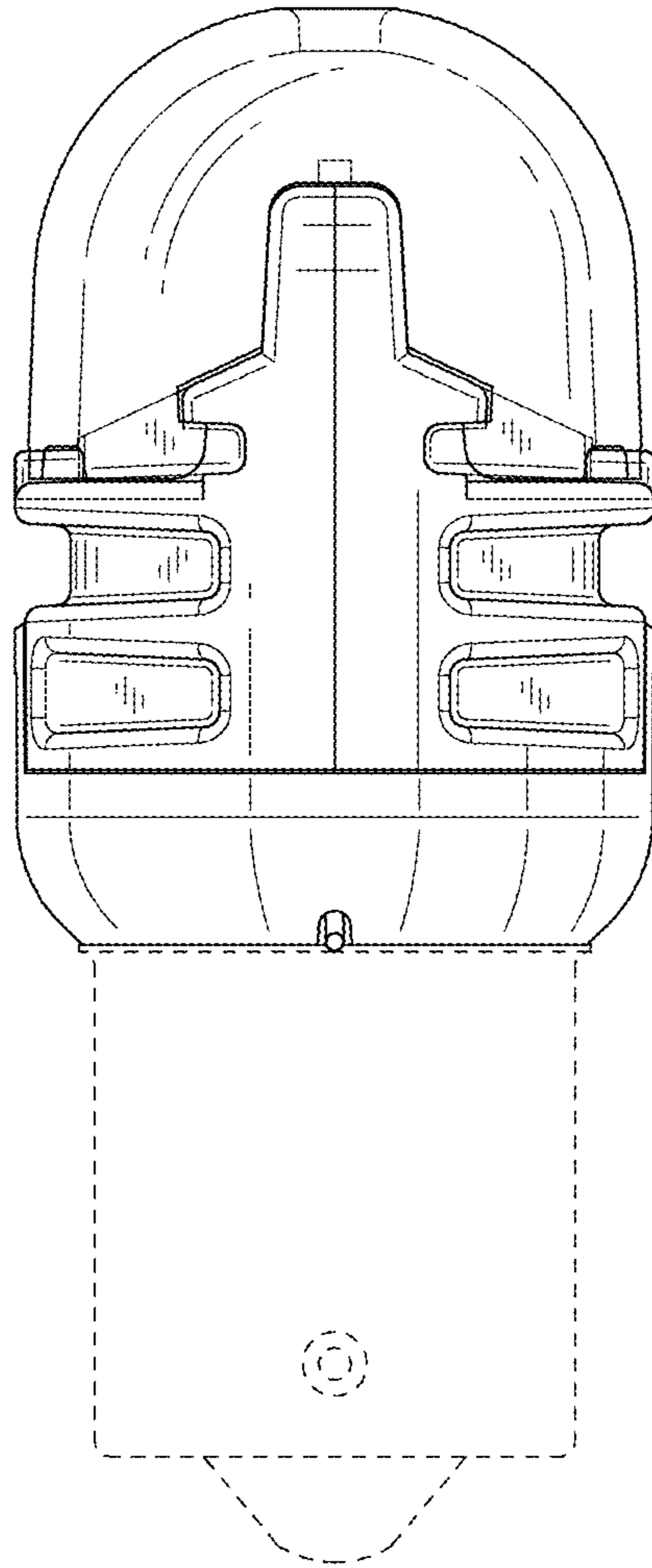


FIG. 5

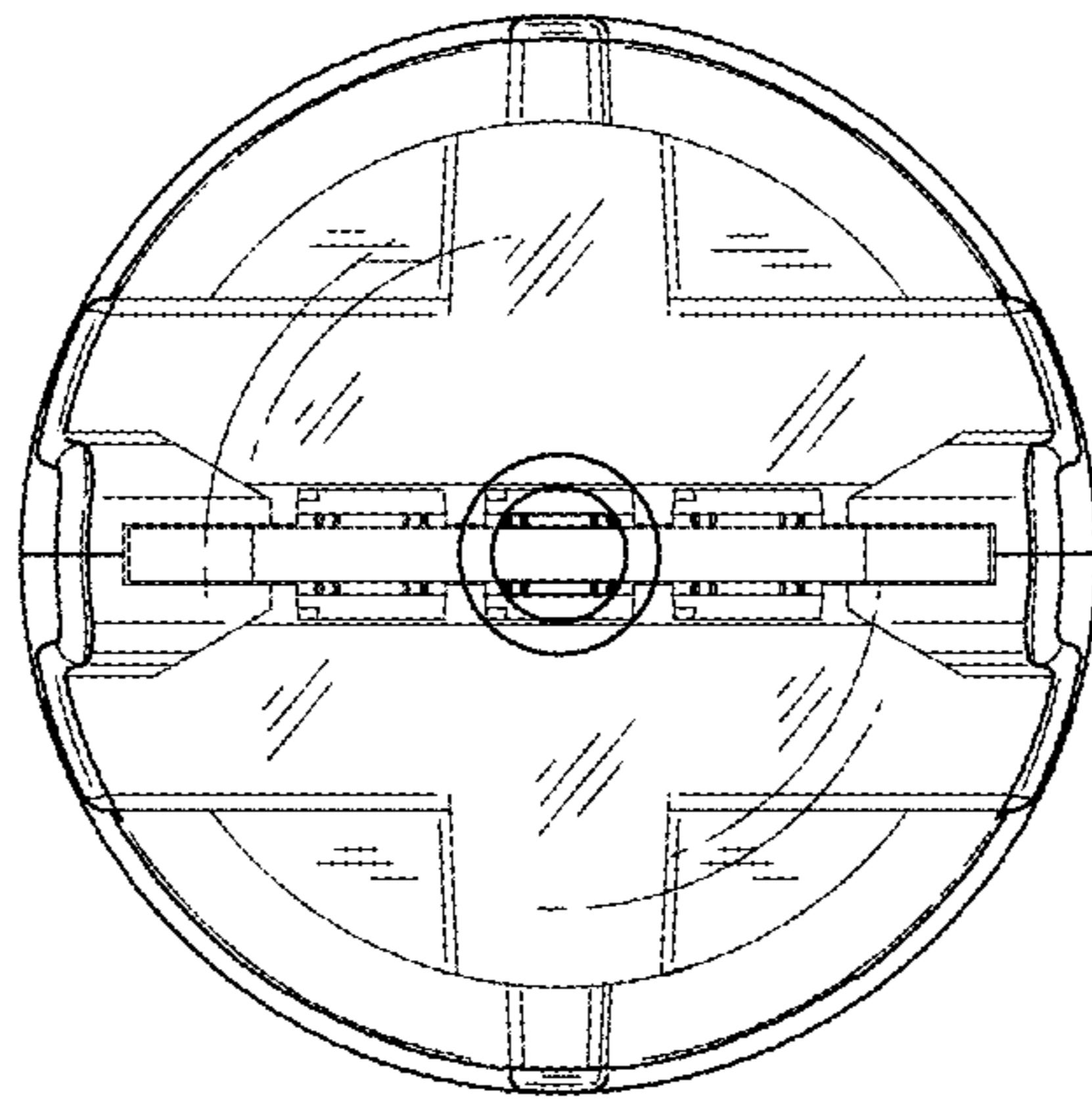


FIG. 6

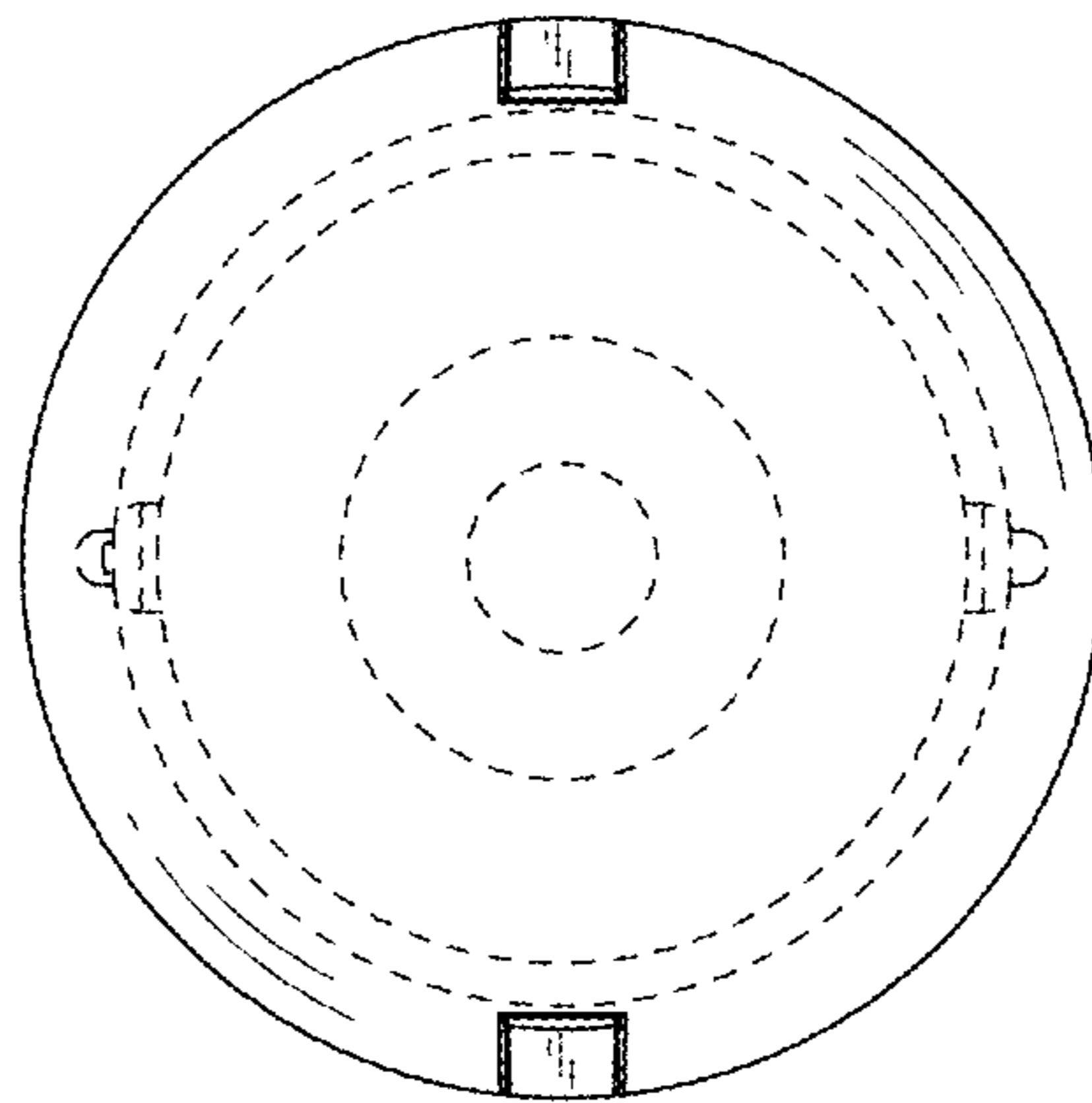


FIG. 7

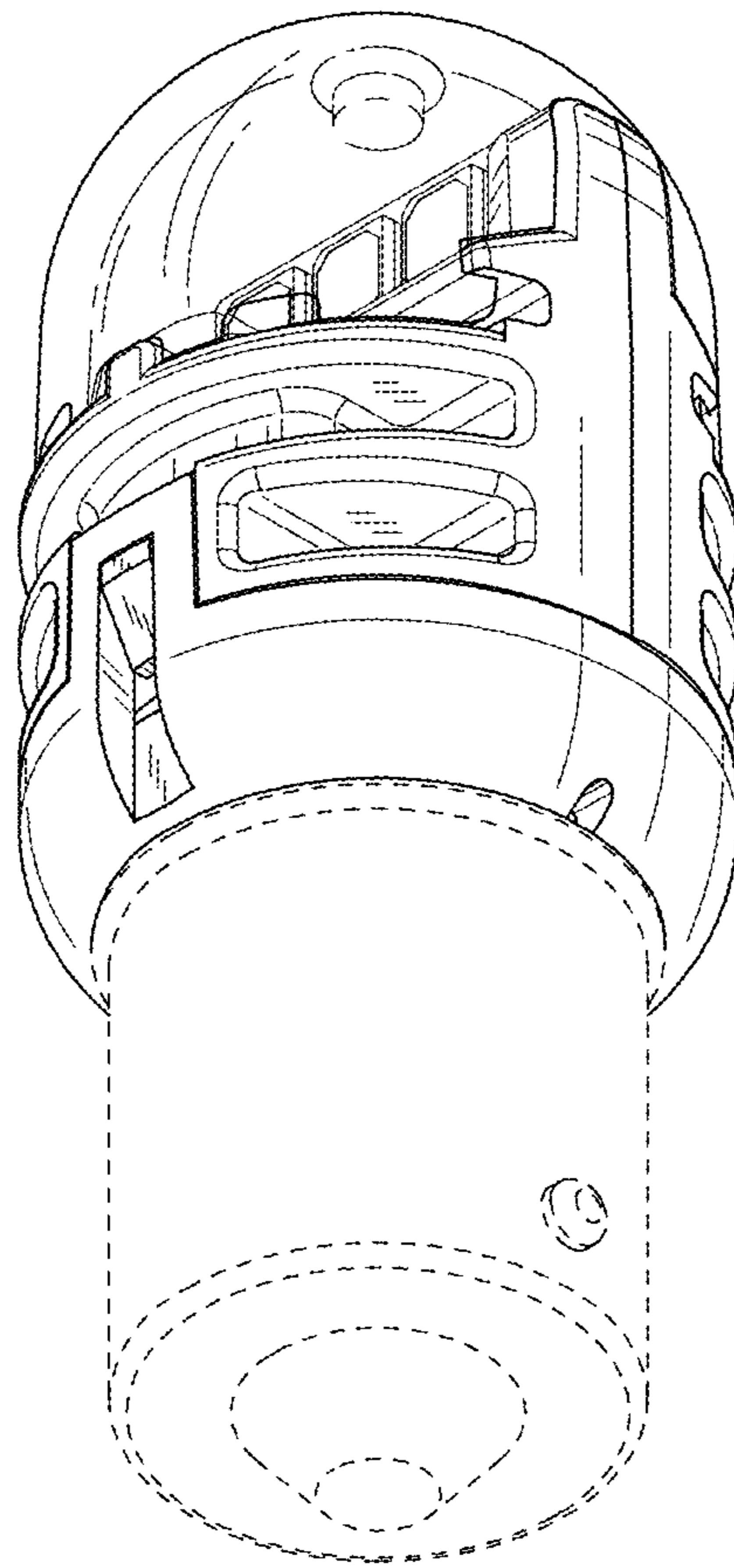


FIG. 8