

US00D932664S

(12) **United States Design Patent**  
**Shih**

(10) **Patent No.:** **US D932,664 S**

(45) **Date of Patent:** **\*\* Oct. 5, 2021**

(54) **LED LIGHT**

D405,201 S \* 2/1999 Lodhie ..... D26/2  
D426,899 S \* 6/2000 Au Yeng ..... D26/2  
D543,644 S \* 5/2007 Bembridge ..... D26/2

(71) Applicant: **Jen-Chieh Shih**, Changhua (TW)

\* cited by examiner

(72) Inventor: **Jen-Chieh Shih**, Changhua (TW)

*Primary Examiner* — Marcus A Jackson

(\*\*) Term: **15 Years**

(74) *Attorney, Agent, or Firm* — Leong C. Lei

(21) Appl. No.: **29/732,144**

(22) Filed: **Apr. 22, 2020**

(51) **LOC (13) Cl.** ..... **26-04**

(52) **U.S. Cl.**  
USPC ..... **D26/2**

(58) **Field of Classification Search**  
USPC ..... D26/1-11  
CPC ..... H01R 5/00; H01R 13/46; H01R 13/514;  
H01R 31/048; H01R 31/02; H01J 5/00;  
H01J 5/16; H01J 1/02; H01J 15/00; H01J  
5/48; H01J 5/50; H01J 19/54; F21V 5/00;  
F21K 9/00; F21K 13/00

See application file for complete search history.

(56) **References Cited**

U.S. PATENT DOCUMENTS

D392,057 S \* 3/1998 Chen ..... D26/2

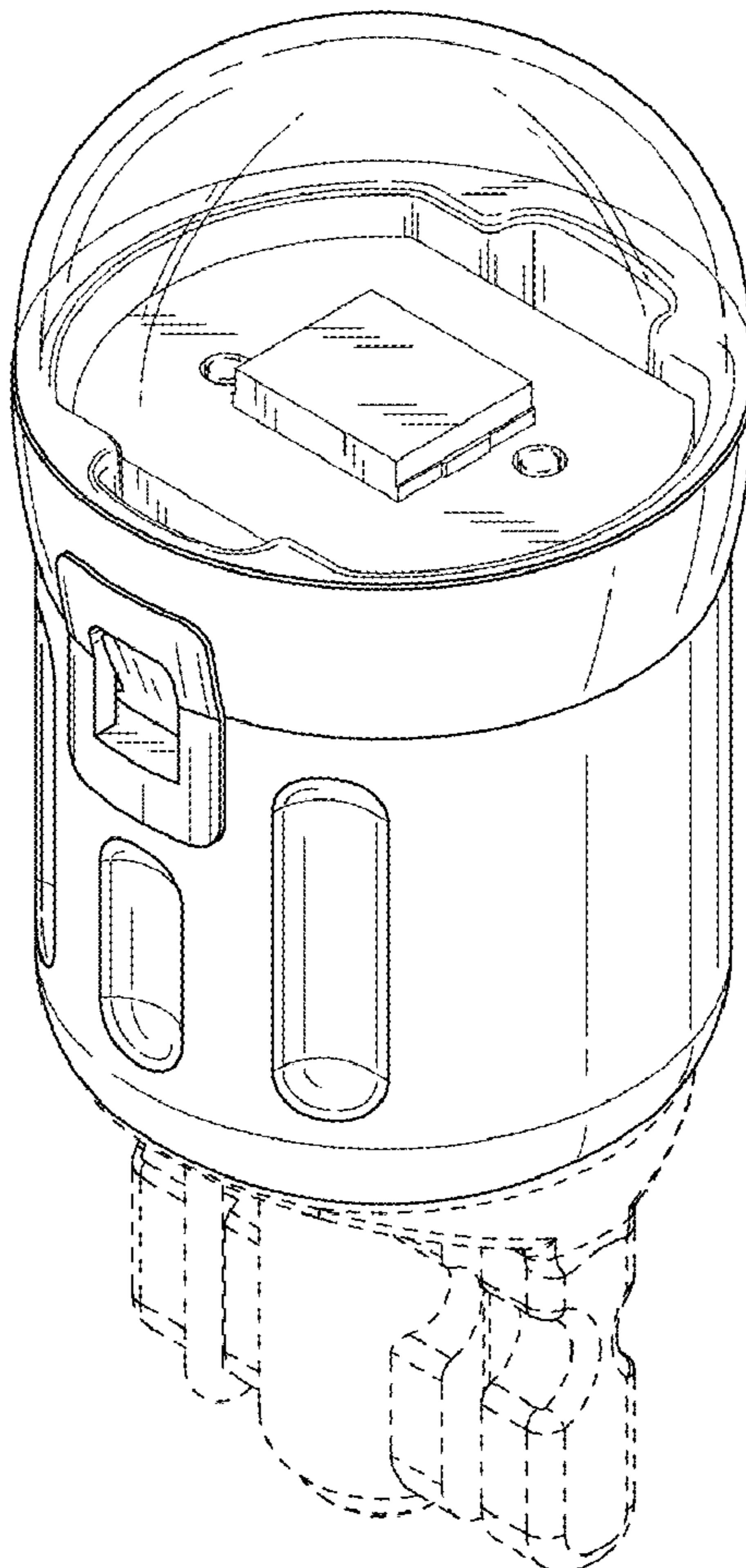
(57) **CLAIM**

The ornamental design for a LED light, as shown and described.

**DESCRIPTION**

FIG. 1 is a perspective view of a LED light showing my new design;  
FIG. 2 is a front elevational view thereof;  
FIG. 3 is a rear elevational view thereof;  
FIG. 4 is a left side elevational view thereof;  
FIG. 5 is a right side elevational view thereof;  
FIG. 6 is a top plan view thereof;  
FIG. 7 is a bottom plan view thereof; and,  
FIG. 8 is another perspective view thereof.  
The portions shown in broken lines form no part of the claimed design.

**1 Claim, 8 Drawing Sheets**



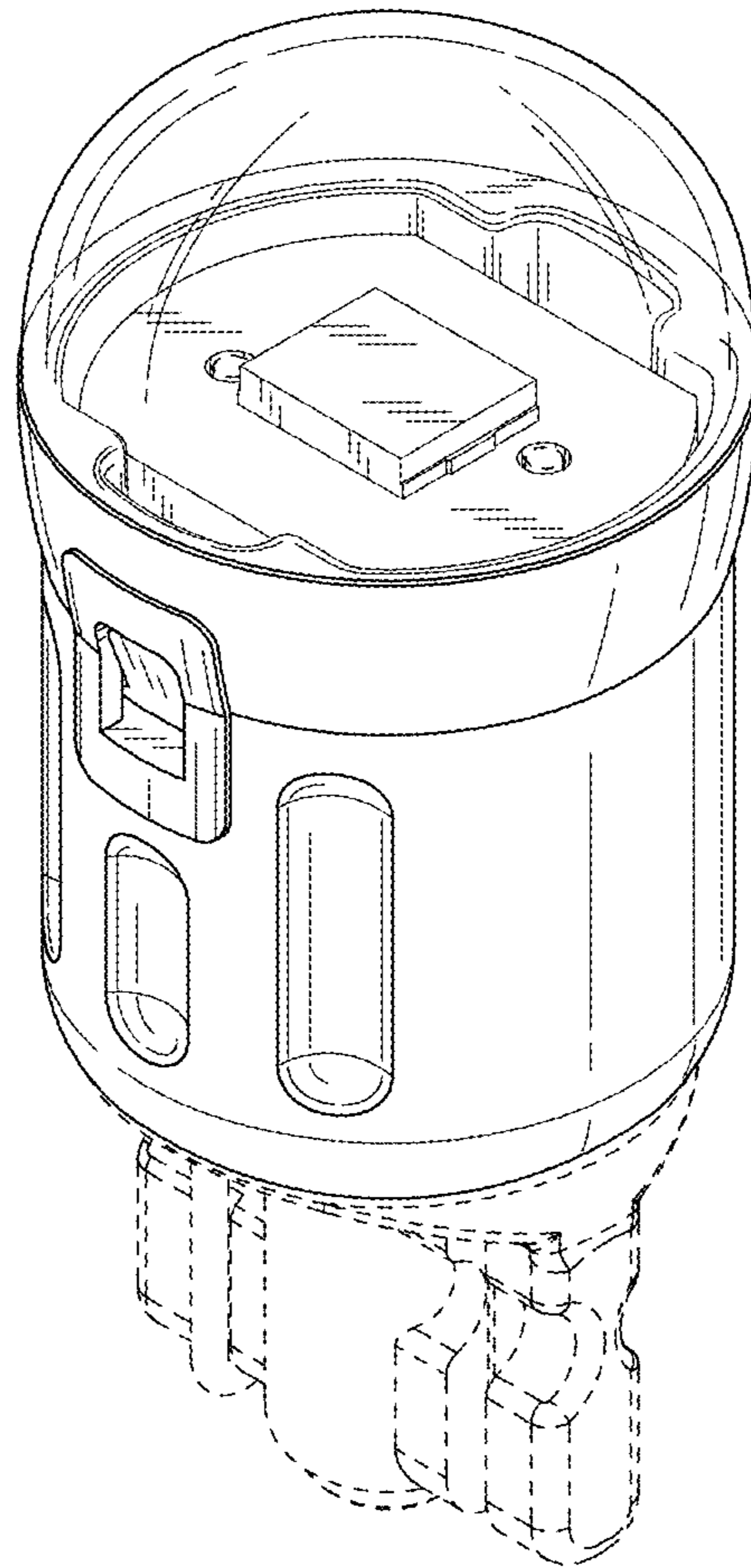


FIG. 1

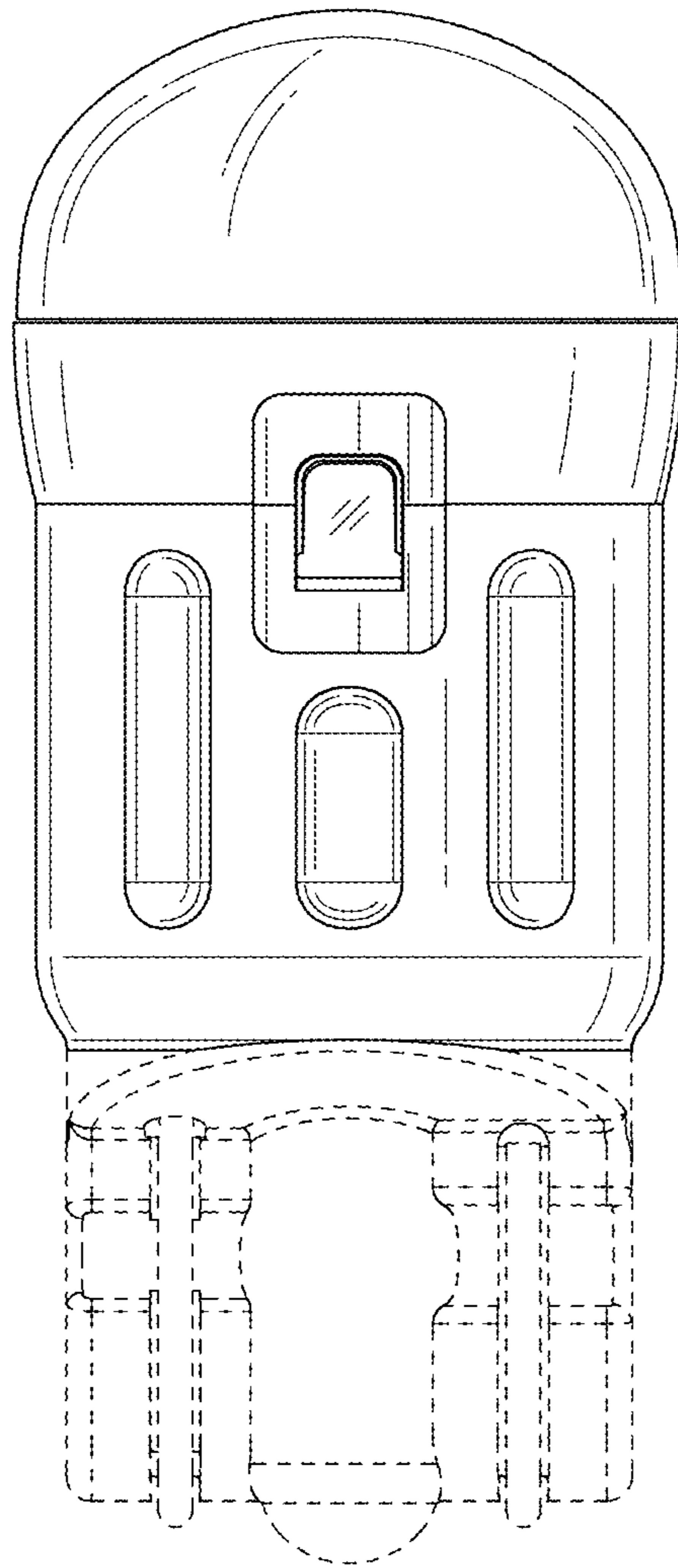


FIG. 2

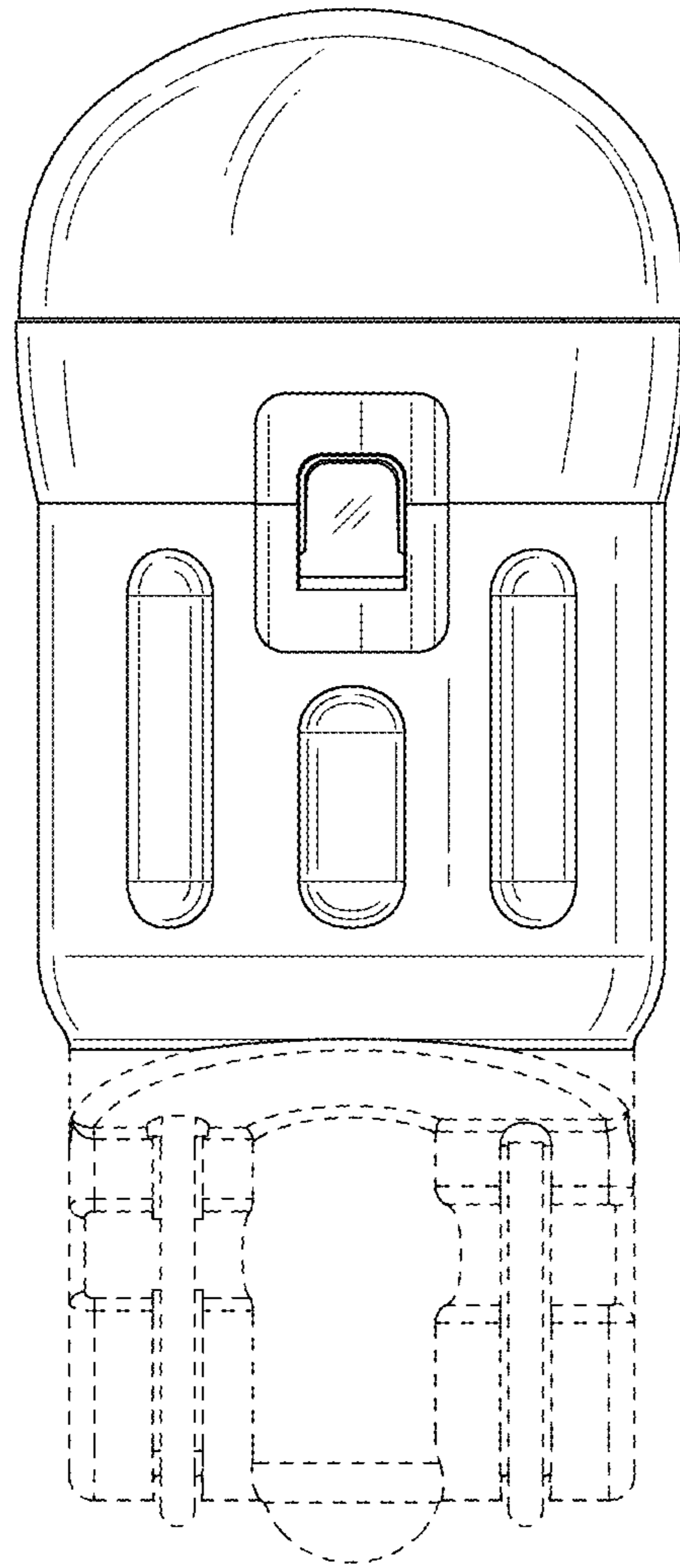


FIG. 3

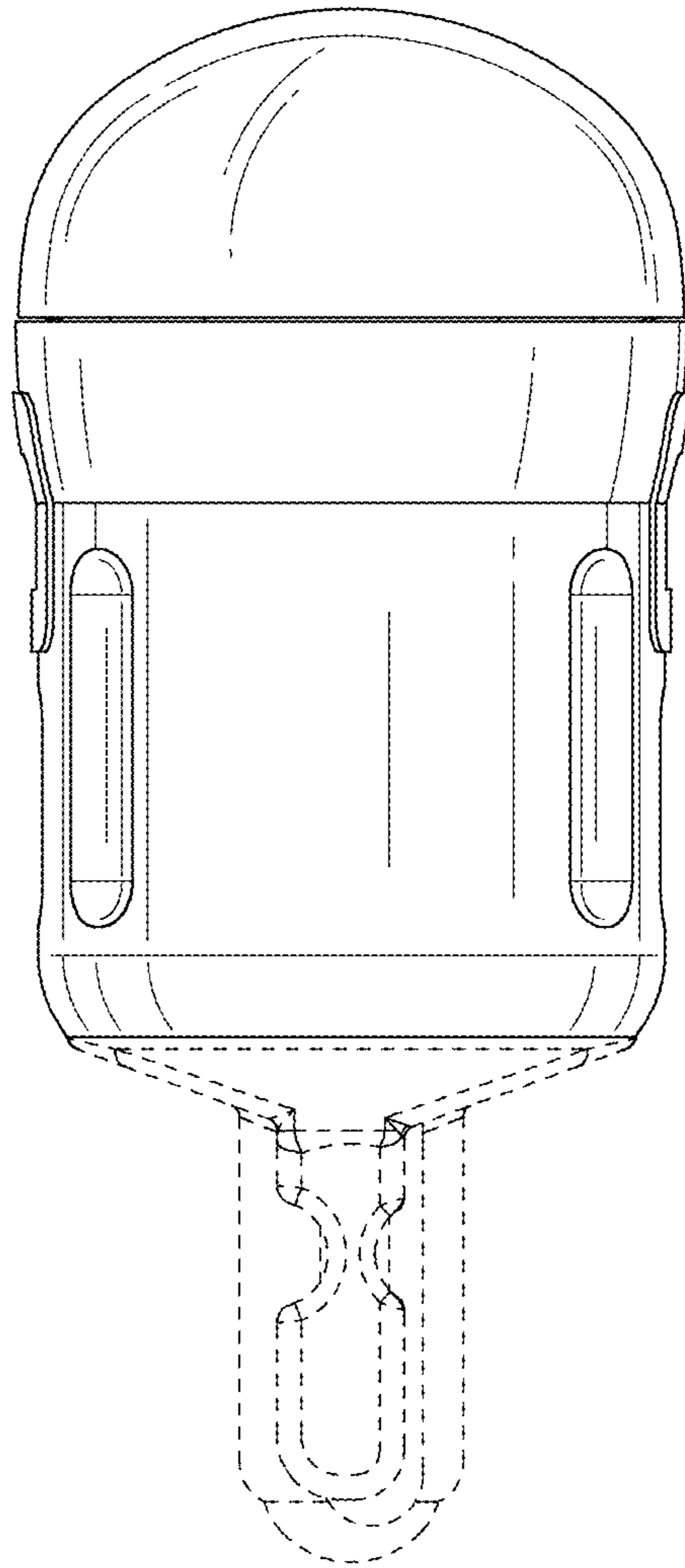


FIG. 4

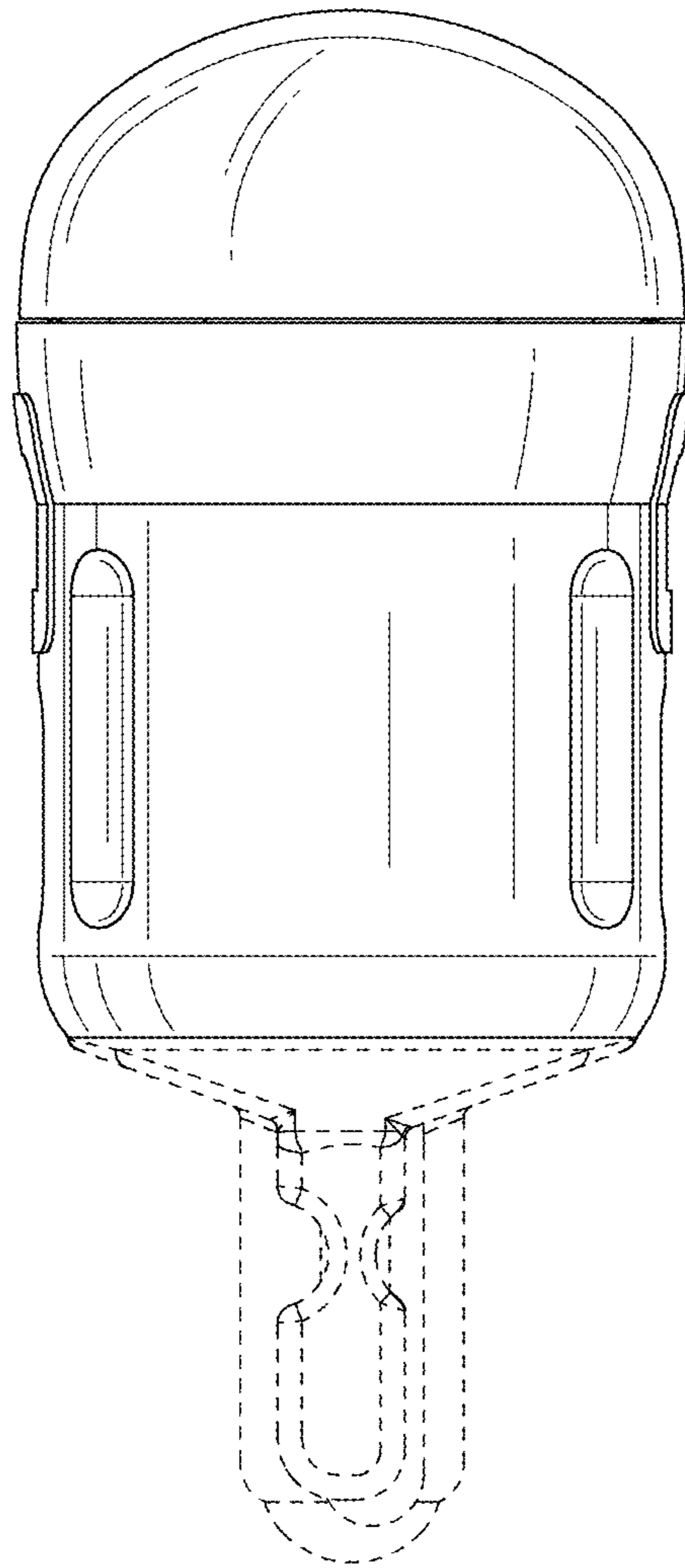


FIG. 5

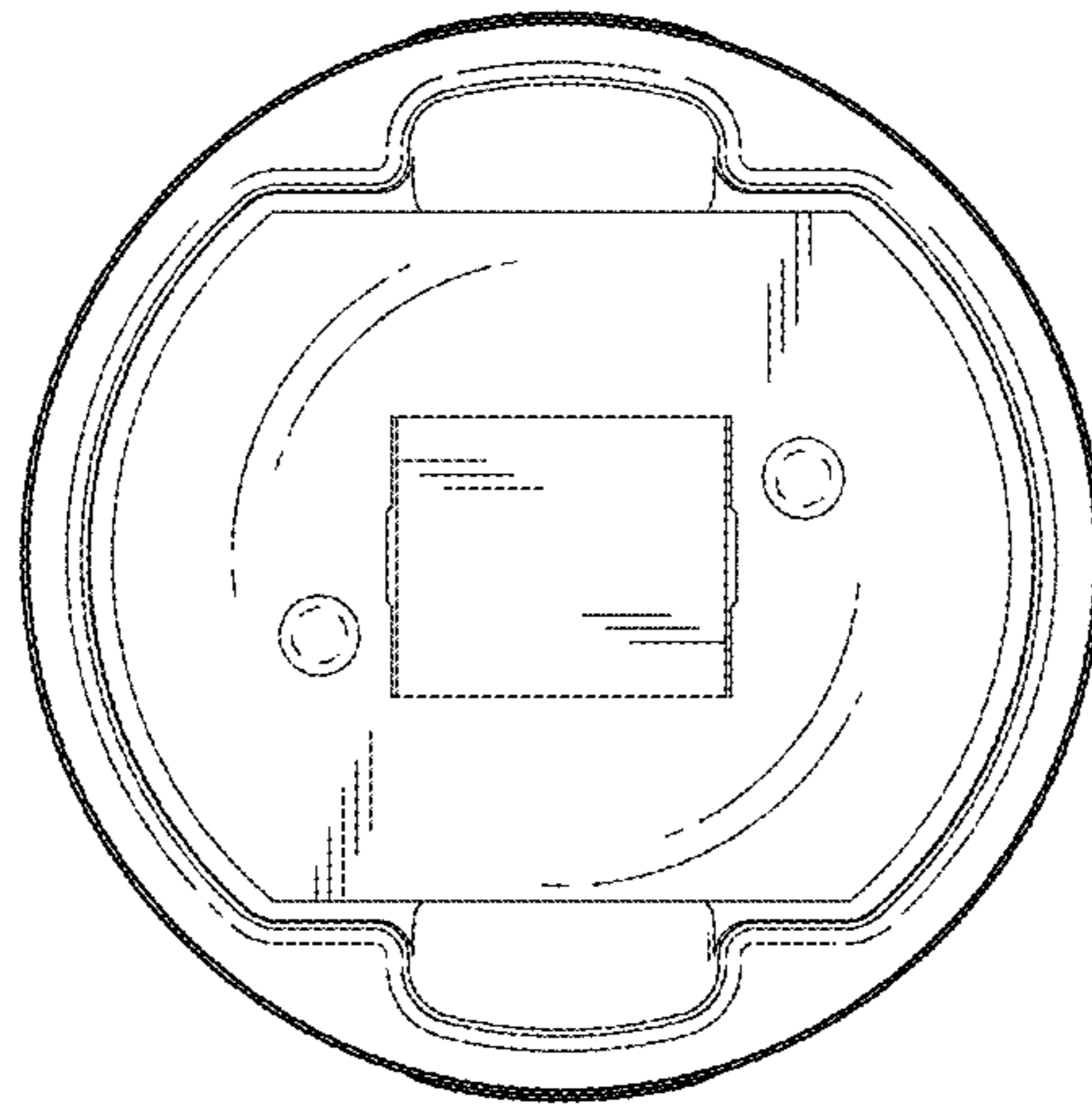


FIG. 6

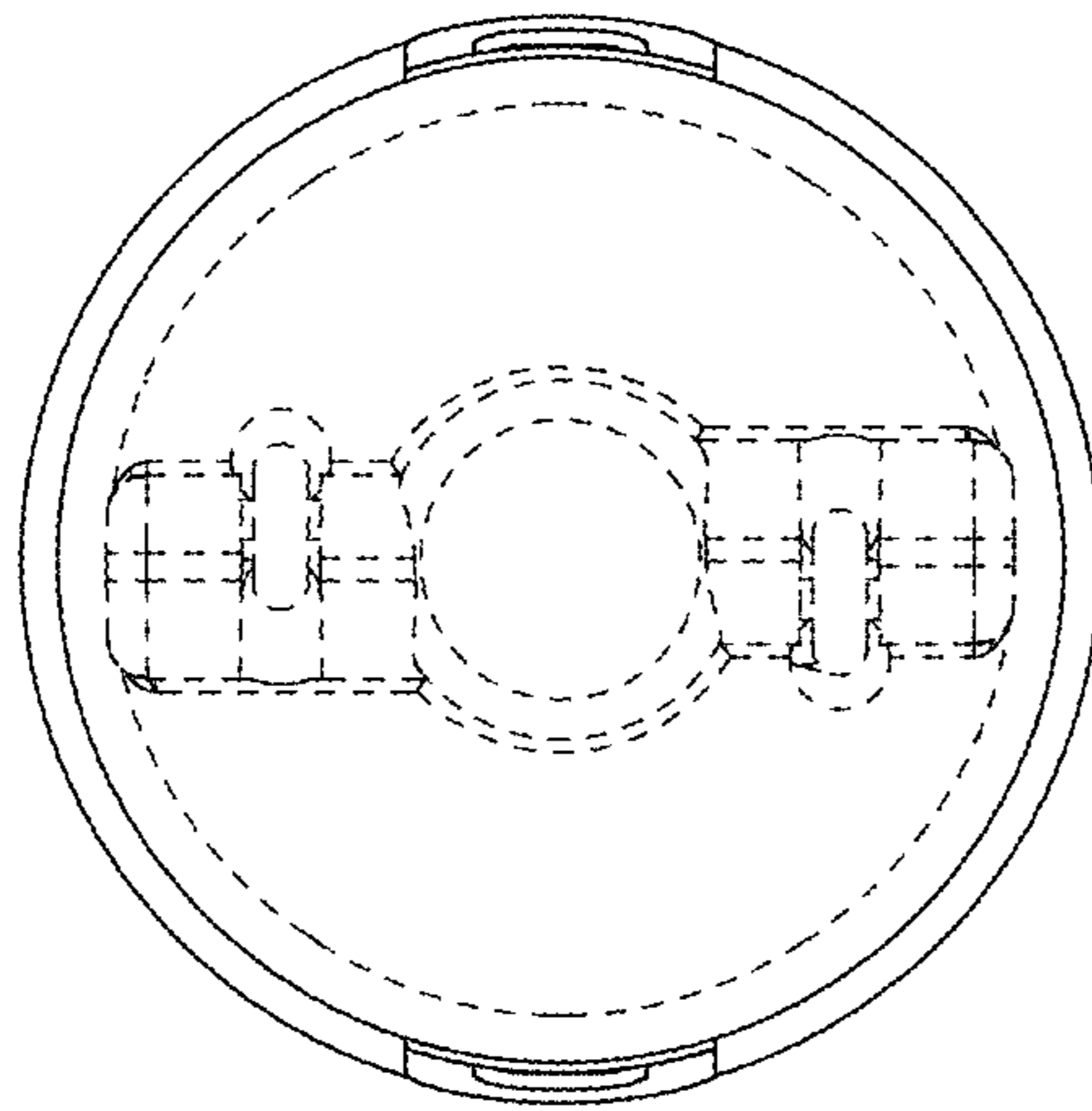


FIG. 7



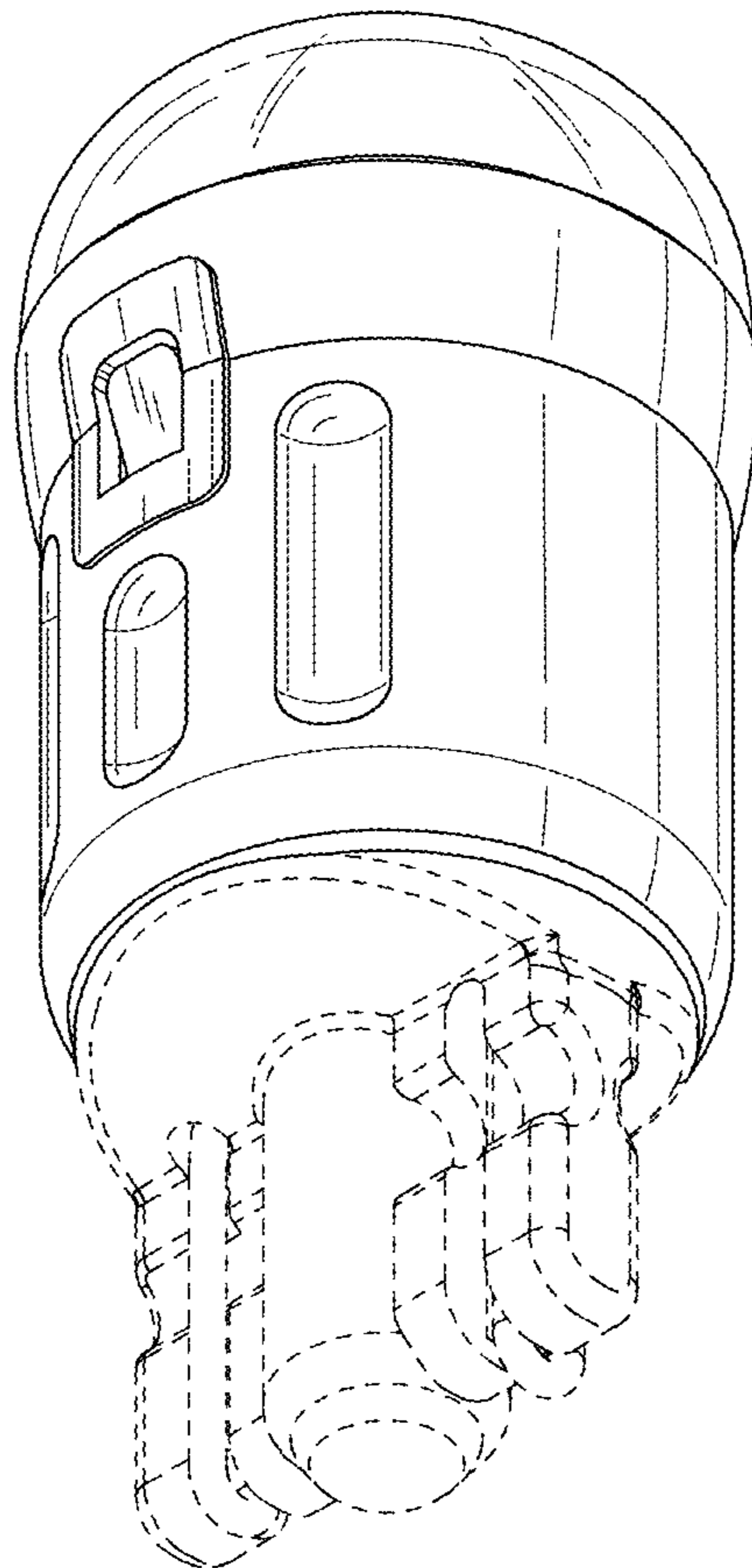


FIG. 8