



US00D932660S

(12) **United States Design Patent** (10) **Patent No.:** **US D932,660 S**  
**MacKarvich** (45) **Date of Patent:** **\*\* Oct. 5, 2021**

(54) **GUARDRAIL BASE**  
(71) Applicant: **Charles J. MacKarvich**, Atlanta, GA (US)  
(72) Inventor: **Charles J. MacKarvich**, Atlanta, GA (US)

D521,159 S 5/2006 Hansort  
7,232,098 B2 6/2007 Rawlings et al.  
RE39,842 E 9/2007 Purvis et al.  
D554,474 S 11/2007 Miller  
D556,015 S 11/2007 Muchnik  
(Continued)

(\*\*) Term: **15 Years**  
(21) Appl. No.: **29/783,040**

FOREIGN PATENT DOCUMENTS  
EP 1300518 4/2003  
WO 2008037023 4/2008

(22) Filed: **May 11, 2021**  
(51) **LOC (13) Cl.** ..... **25-01**  
(52) **U.S. Cl.**  
USPC ..... **D25/133**  
(58) **Field of Classification Search**  
USPC ..... D25/133  
CPC ..... E05B 5/02; E04H 17/22; E04H 12/22;  
E04H 12/2238; E04H 12/2284; E04H  
12/2253; E04H 12/2261; E04H 12/2269;  
E04H 12/2292

OTHER PUBLICATIONS  
Mackarvich, Charles J.; Applicant-Initiated Interview Summary for U.S. Patent and U.S. Appl. No. 15/901,407, filed Feb. 21, 2018, dated Sep. 2, 2020, 9 pgs.  
(Continued)

See application file for complete search history.

*Primary Examiner* — Doris Clark  
(74) *Attorney, Agent, or Firm* — Taylor English Duma LLP

(56) **References Cited**

(57) **CLAIM**  
I claim the ornamental design for a guardrail base, as shown and described.

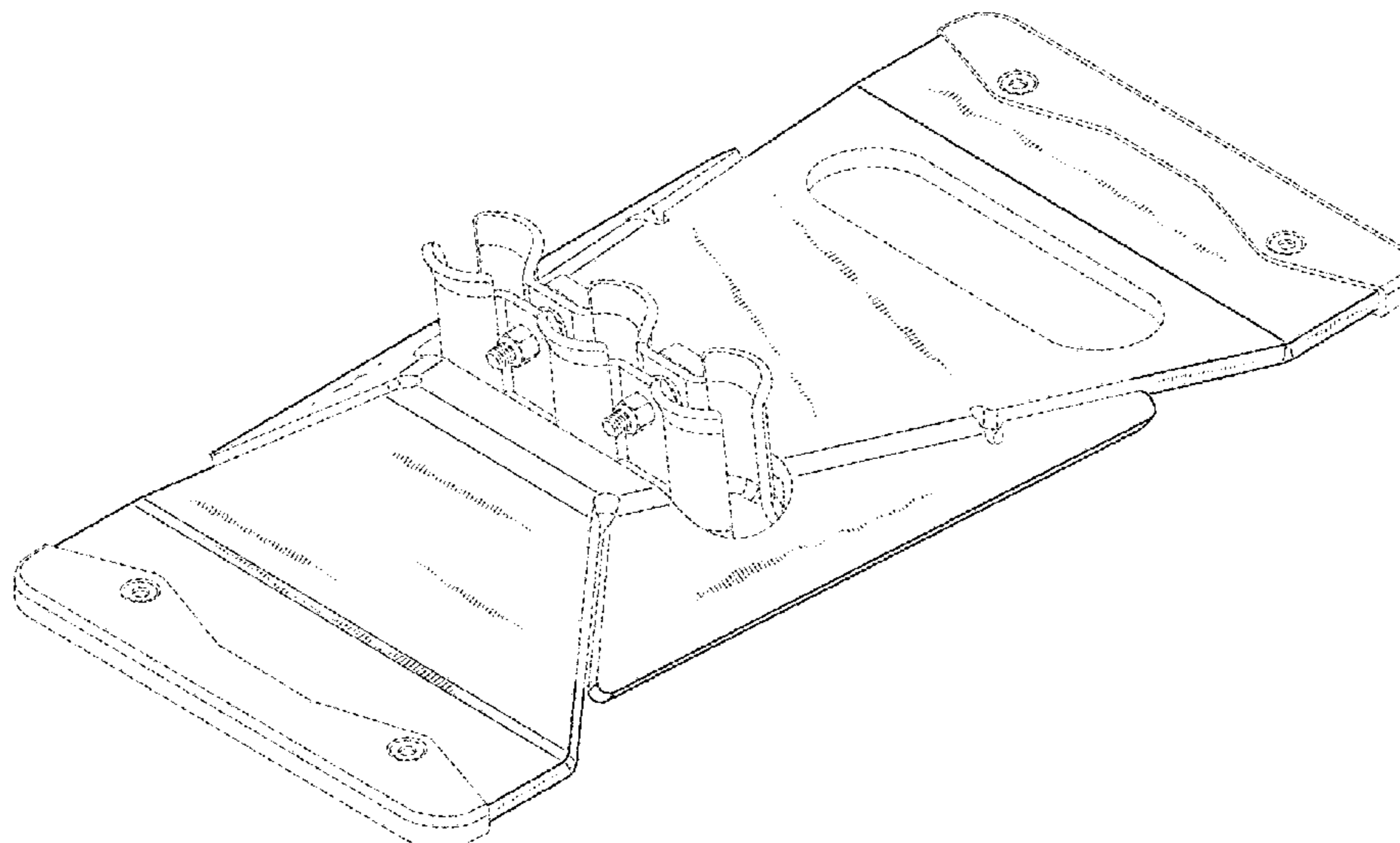
U.S. PATENT DOCUMENTS

**DESCRIPTION**

716,077	A	12/1902	Morrin	
1,030,383	A	6/1912	Buschman	
1,132,658	A	3/1915	Harrison	
1,477,685	A	12/1923	Bostwick	
1,760,955	A	6/1930	Moss	
1,775,558	A	9/1930	Jayne	
2,641,513	A	6/1953	Fryda	
3,020,023	A	2/1962	MacIntyre et al.	
3,150,891	A	9/1964	Kirkeby	
3,204,898	A	9/1965	Manning	
3,285,576	A	11/1966	Clark	
4,037,788	A	7/1977	Riley	
5,328,287	A	7/1994	Gilb	
5,372,447	A	12/1994	Chung	
D388,193	S *	12/1997	Villaescusa	D25/133
D389,252	S *	1/1998	Alberson	D25/133
6,554,257	B1	4/2003	Kenton	
D520,649	S	5/2006	Hansort	

FIG. 1 is a front perspective view of the claimed design.  
FIG. 2 is a left-side elevation view thereof.  
FIG. 3 is a right-side elevation view thereof.  
FIG. 4 is a top plan view thereof.  
FIG. 5 is a bottom plan view thereof.  
FIG. 6 is a front elevation view thereof.  
FIG. 7 is a rear elevation view thereof; and,  
FIG. 8 is a rear perspective view of three examples of the claimed design supporting a guardrail.  
The solid lines represent the bounds of the claimed design, whereas those features shown in broken lines, form no part of the claimed design.

**1 Claim, 8 Drawing Sheets**



(56)

References Cited

U.S. PATENT DOCUMENTS

7,338,033 B2 3/2008 Anson et al.  
 D599,915 S 9/2009 Godwin  
 7,631,409 B2\* 12/2009 Dehlsen ..... E04H 12/2238  
 256/24  
 8,014,168 B2 9/2011 Lanning et al.  
 8,925,904 B2 1/2015 Christoffer et al.  
 D732,374 S 6/2015 Herbertsson  
 D732,932 S 6/2015 Ng et al.  
 9,115,506 B2 8/2015 Hill  
 D752,954 S 4/2016 Lax et al.  
 D757,520 S 5/2016 Pratt  
 D758,609 S 6/2016 Schindler et al.  
 9,376,832 B2\* 6/2016 Deering ..... E04F 11/1865  
 D767,167 S 9/2016 Masuda et al.  
 9,863,162 B2\* 1/2018 Whiteley ..... E04H 12/2238  
 D810,965 S 2/2018 Whiteley  
 D813,647 S 3/2018 Burmeister-Brown et al.  
 D822,650 S 7/2018 Kanter  
 D823,286 S 7/2018 Kanter  
 D823,093 S 10/2018 Kanter  
 D830,812 S 10/2018 Kanter  
 D831,860 S 10/2018 Mackarvich  
 D833,851 S 11/2018 Kanter  
 10,180,011 B2\* 1/2019 White ..... E04H 12/2215  
 10,214,935 B2\* 2/2019 Whiteley ..... E01F 9/692  
 10,294,674 B2 5/2019 Guo  
 10,428,552 B2\* 10/2019 Sinclair ..... E04H 12/2269  
 D882,830 S 4/2020 Mackarvich  
 10,900,236 B2 1/2021 Winter  
 10,954,691 B2 3/2021 Mackarvich  
 2005/0056741 A1 3/2005 Higgs et al.  
 2006/0175594 A1 8/2006 Burkart et al.  
 2011/0017968 A1 1/2011 Christoffer et al.  
 2013/0082227 A1 4/2013 Budenbender et al.  
 2014/0231739 A1 8/2014 Marron  
 2015/0041744 A1 2/2015 Higgs  
 2017/0152674 A1 6/2017 Mackarvich

2017/0363124 A1 12/2017 Brown  
 2018/0155939 A1 6/2018 Aldridge  
 2019/0257112 A1 8/2019 Mackarvich

OTHER PUBLICATIONS

Mackarvich, Charles J.; Applicant-Initiated Interview Summary for U.S. Appl. No. 15/901,407, filed Feb. 21, 2018, dated Nov. 23, 2020, 6 pgs.  
 Mackarvich, Charles J.; Corrected Notice of Allowance for U.S. Appl. No. 15/901,407, filed Feb. 21, 2018, dated Feb. 22, 2021, 8 pgs.  
 Mackarvich, Charles J.; Final Office Action for U.S. Appl. No. 15/901,407, filed Feb. 21, 2018, dated Oct. 1, 2020, 15 pgs.  
 Mackarvich, Charles J.; Non-Final Office Action for U.S. Appl. No. 15/901,407, filed Feb. 21, 2018, dated May 18, 2020, 35 pgs.  
 Mackarvich, Charles J.; Notice of Allowance for U.S. Appl. No. 15/901,407, filed Feb. 21, 2018, dated Dec. 10, 2020, 12 pgs.  
 Mackarvich, Charles J.; Applicant-Initiated Interview Summary for U.S. Appl. No. 17/097,927, filed Nov. 13, 2020, dated Jun. 23, 2021, 5 pgs.  
 Mackarvich, Charles J.; Non-Final Office Action for U.S. Appl. No. 17/097,927, filed Nov. 13, 2020, dated Mar. 16, 2021, 18 pgs.  
 Mackarvich, Charles J.; Notice of Allowance for U.S. Appl. No. 17/097,927, filed Nov. 13, 2020, dated Jul. 15, 2021, 12 pgs.  
 Mackarvich, Charles J.; Requirement for Restriction/Election for U.S. Appl. No. 17/097,927, filed Nov. 13, 2020, dated Jan. 5, 2021, 6 pgs.  
 Mackarvich, Charles J.; Issue Notification for U.S. Design U.S. Appl. No. 29/616,098, filed Sep. 1, 2017, dated Oct. 3, 2018, 1 pg.  
 Mackarvich, Charles J.; Notice of Allowance for U.S. Appl. No. 29/616,098, filed Sep. 1, 2017, dated May 28, 2018, 12 pgs.  
 Mackarvich, Charles J.; Ex Parte Quayle Action for U.S. Appl. No. 29/663,351, filed Sep. 14, 2018, mailed Oct. 1, 2019, 15 pgs.  
 Mackarvich, Charles J.; Notice of Allowance for U.S. Appl. No. 29/663,351, filed Sep. 14, 2018, dated Dec. 27, 2019, 9 pgs.

\* cited by examiner

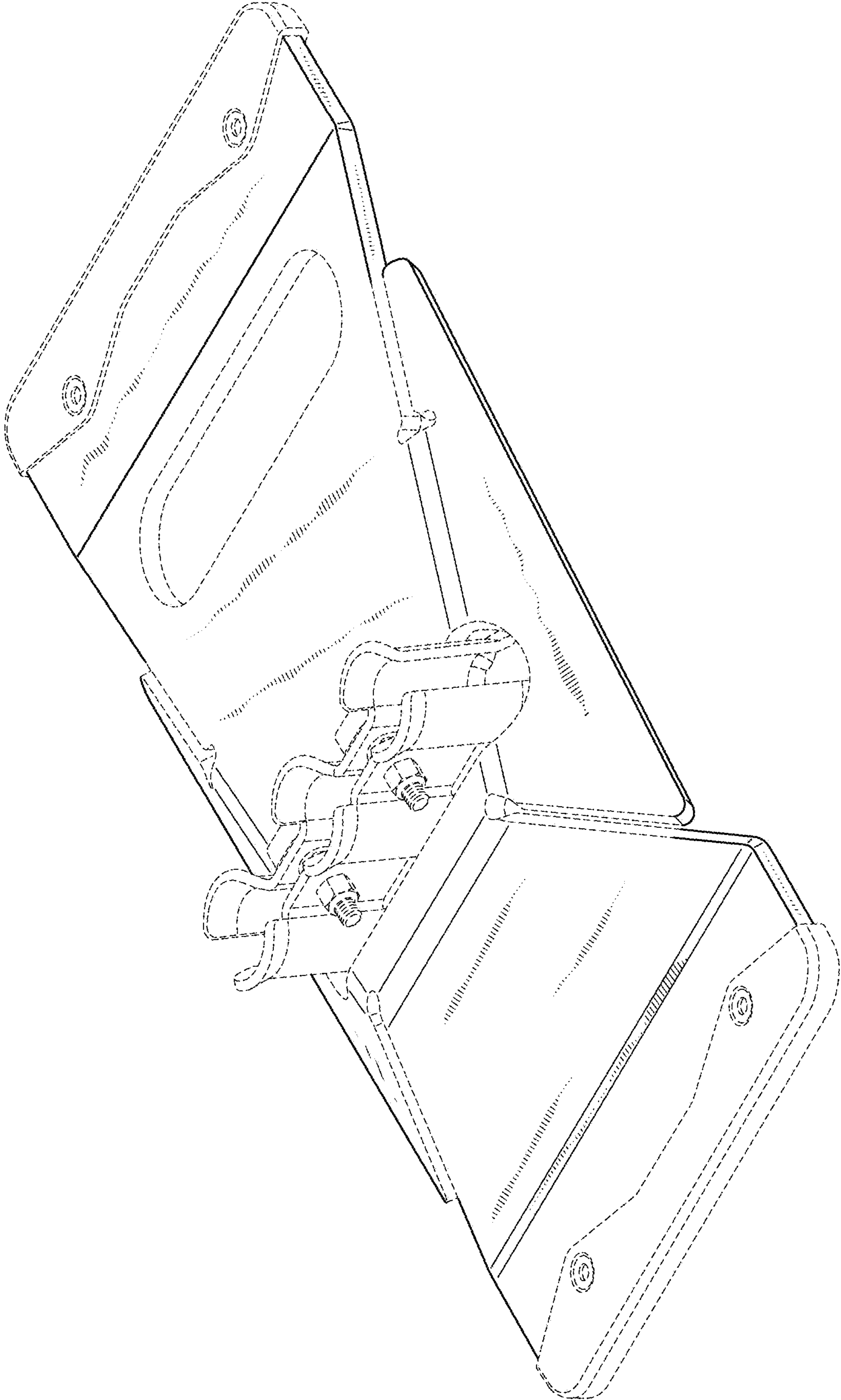


FIG. 1

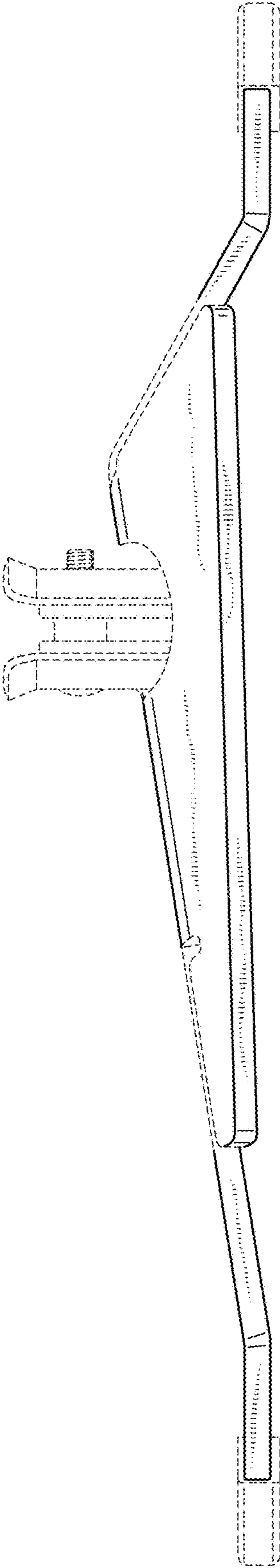


FIG. 2

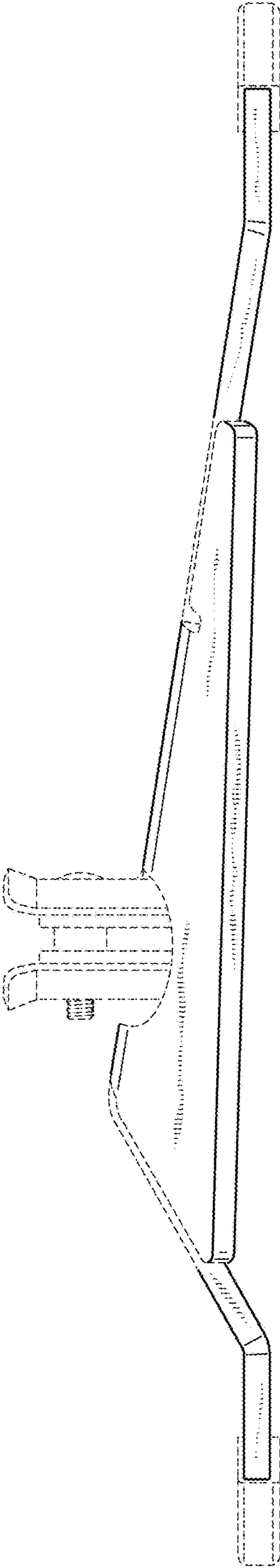


FIG. 3

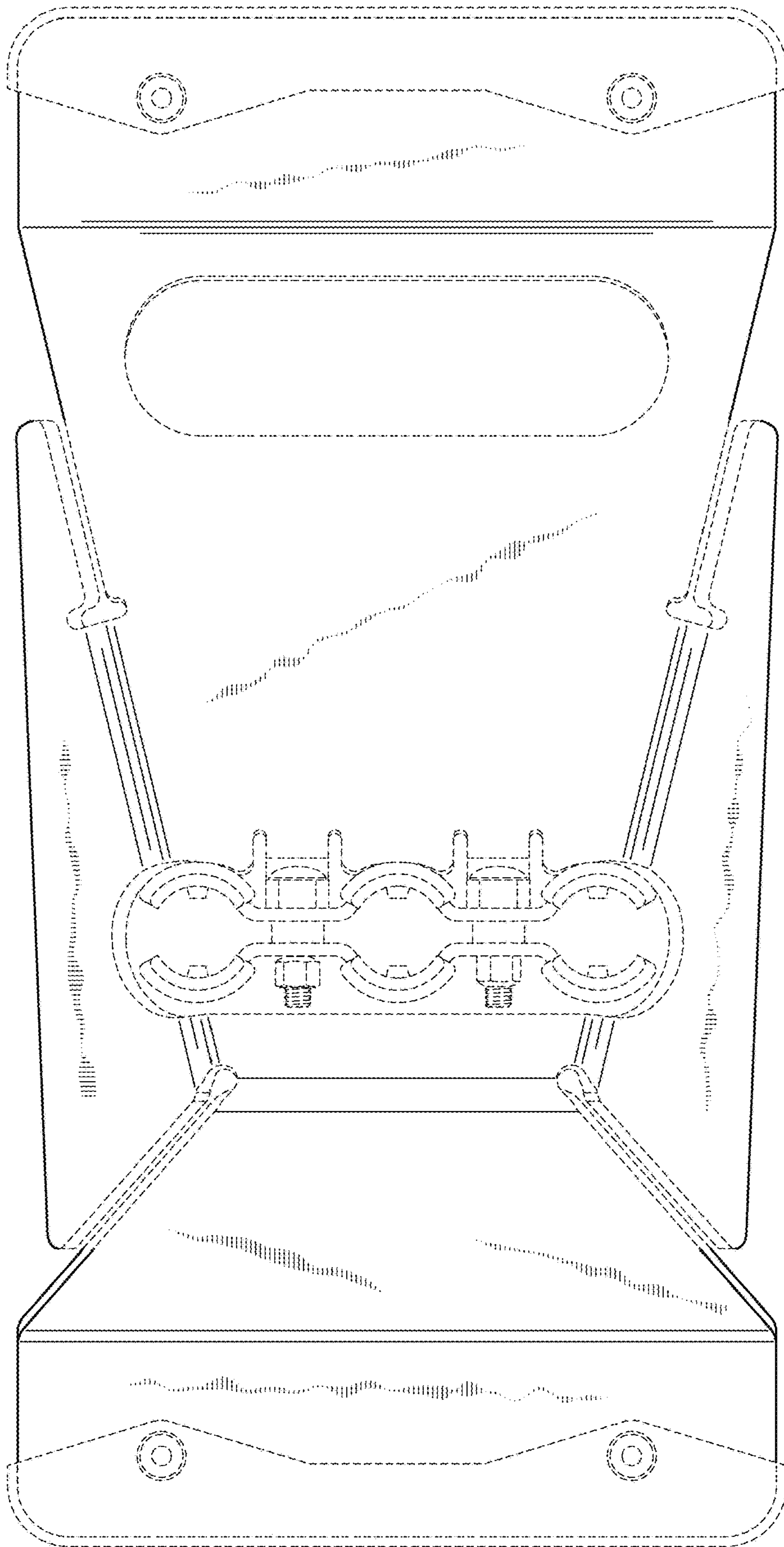


FIG. 4

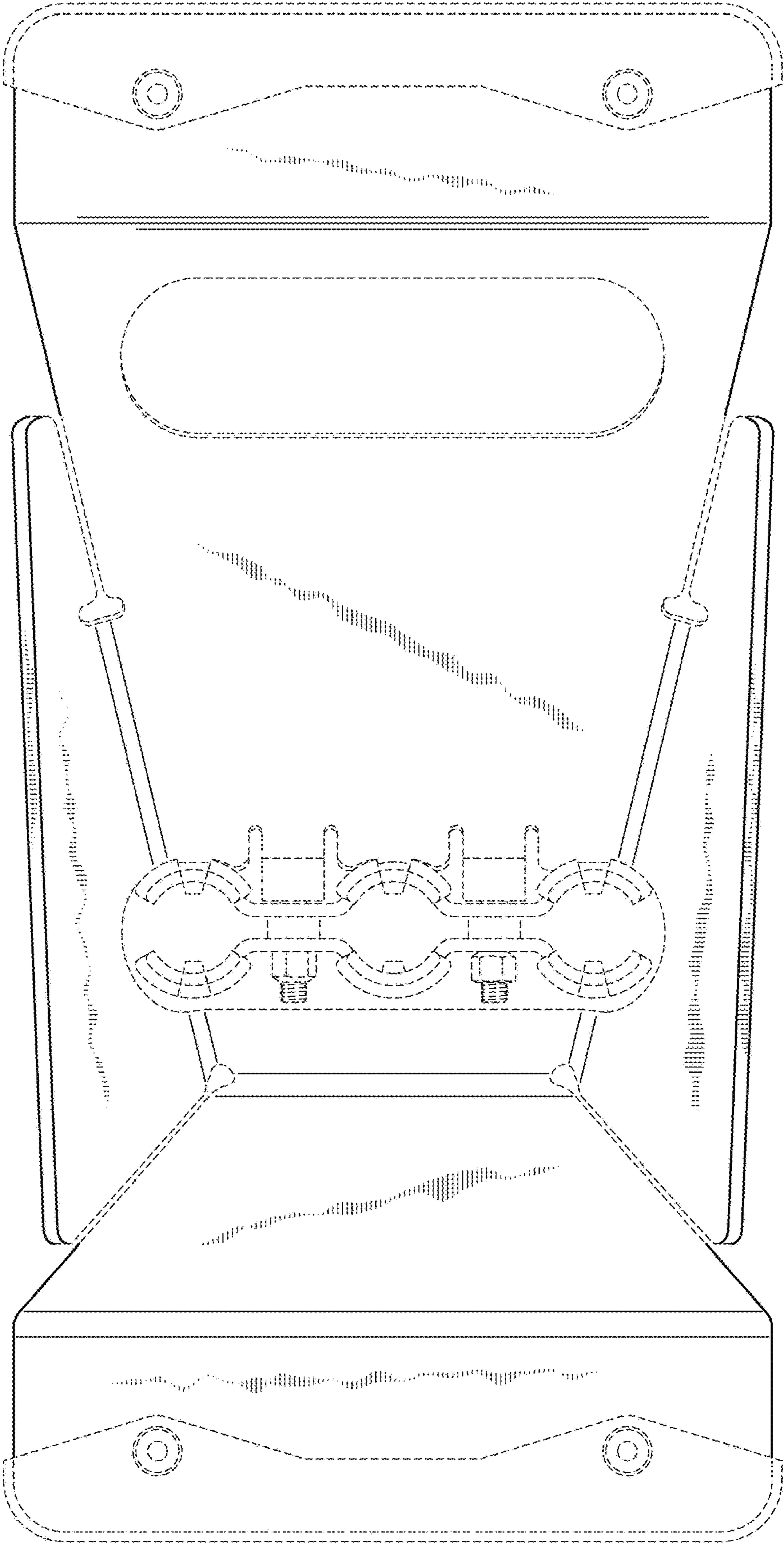


FIG. 5

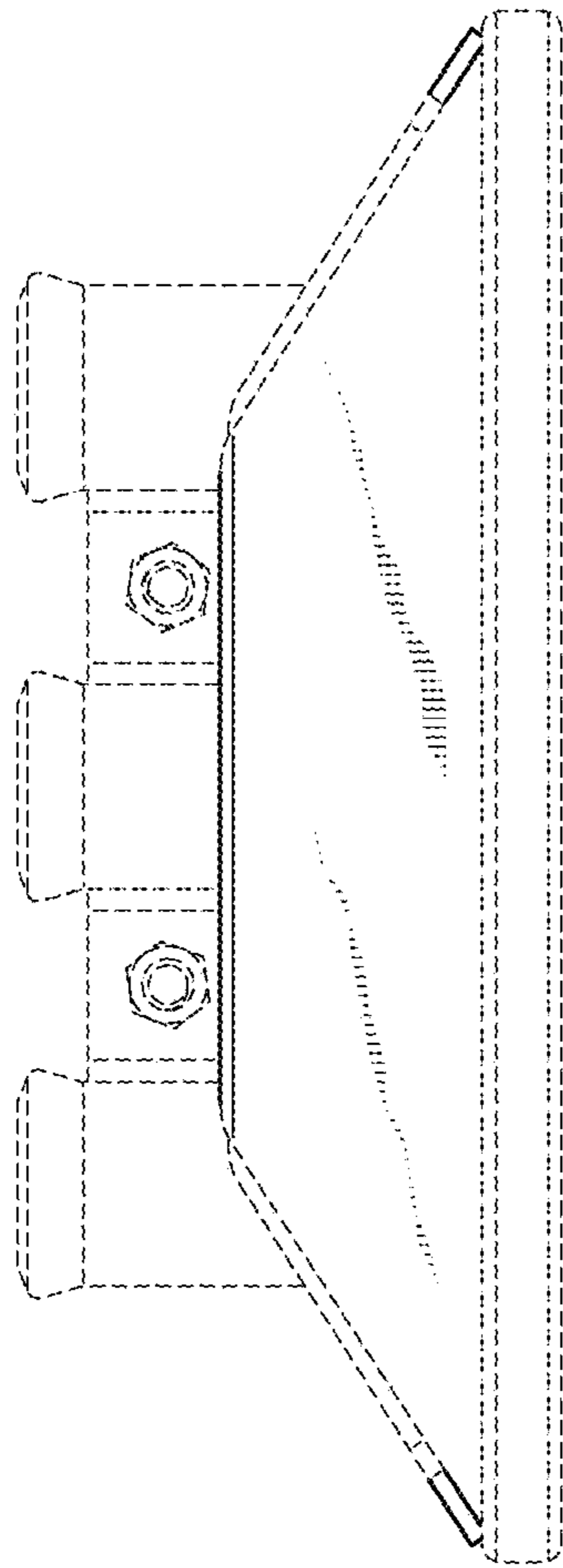


FIG. 6



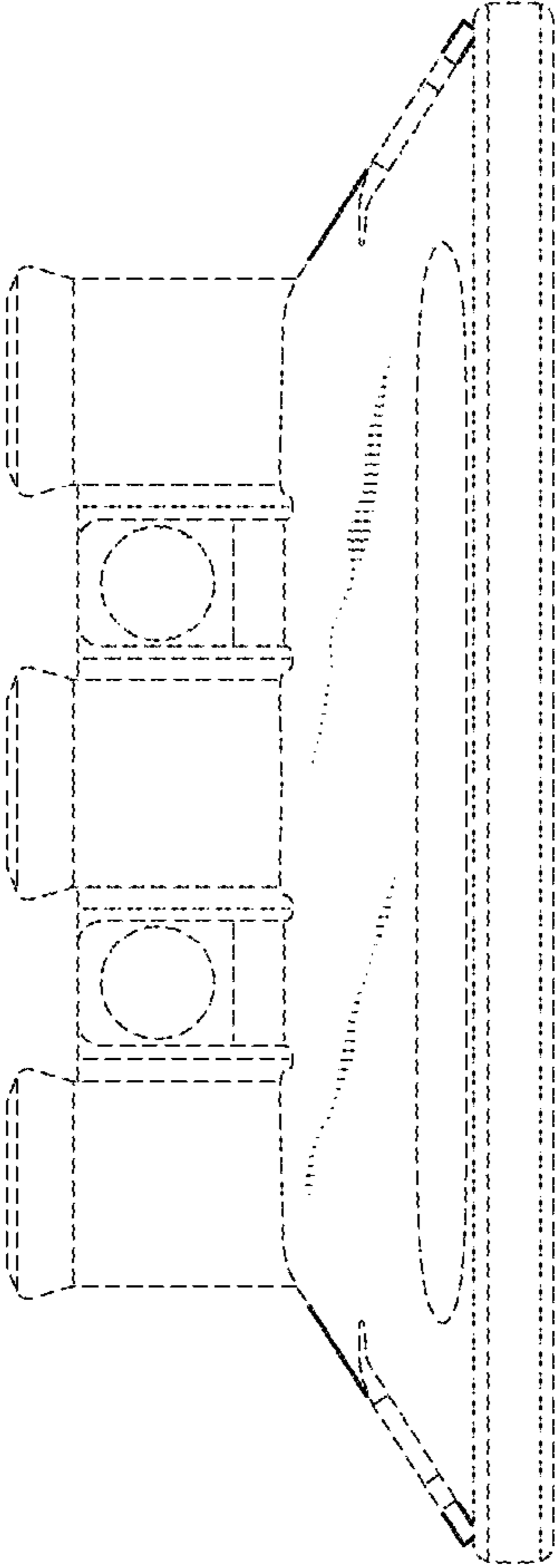


FIG. 7

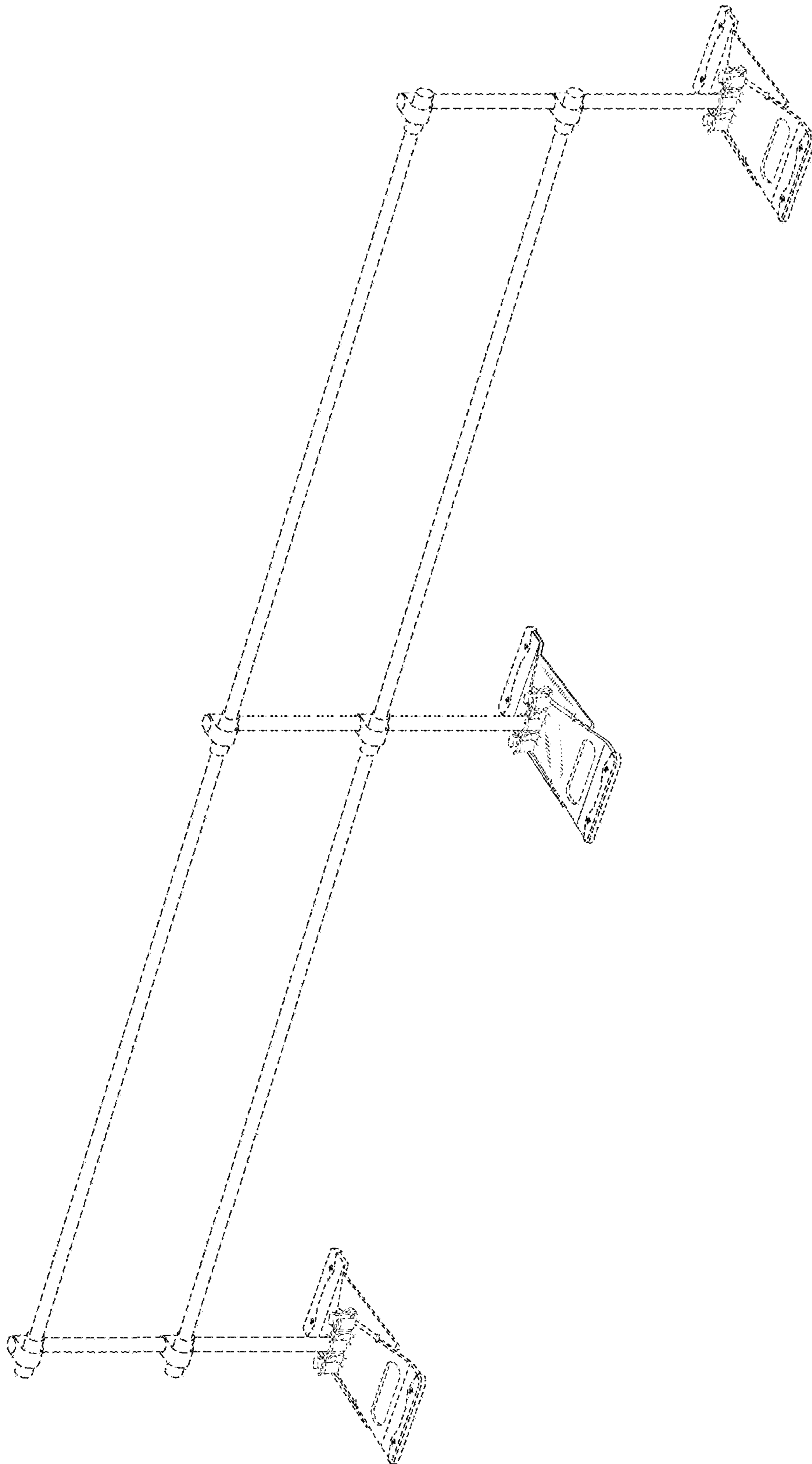


FIG. 8